



US00D359130S

United States Patent [19]

[11] Patent Number: **Des. 359,130**

Northrop et al.

[45] Date of Patent: **** Jun. 6, 1995**

[54] **FENCE UNIT**

[75] Inventors: **Melaney L. Northrop**, Cleburne;
Doug Sharp, Arlington, both of Tex.

[73] Assignee: **Doskocil Manufacturing Company, Inc.**, Arlington, Tex.

[**] Term: **14 Years**

[21] Appl. No.: **19,172**

[22] Filed: **Feb. 19, 1994**

[52] U.S. Cl. **D25/42**

[58] Field of Search **D25/38-45;**
256/DIG. 5, 10, 21, 22, 24, 34, 41, 50, 59, 66,
73, 47, 51, 65, 67, 68, 69; 47/23-33

[56] **References Cited**

U.S. PATENT DOCUMENTS

D. 188,112	6/1960	Windgrad et al.	D25/42
346,644	8/1886	Crisp	256/22
682,259	9/1901	Lanz	256/21
2,685,432	8/1954	Murray, Jr.	256/22

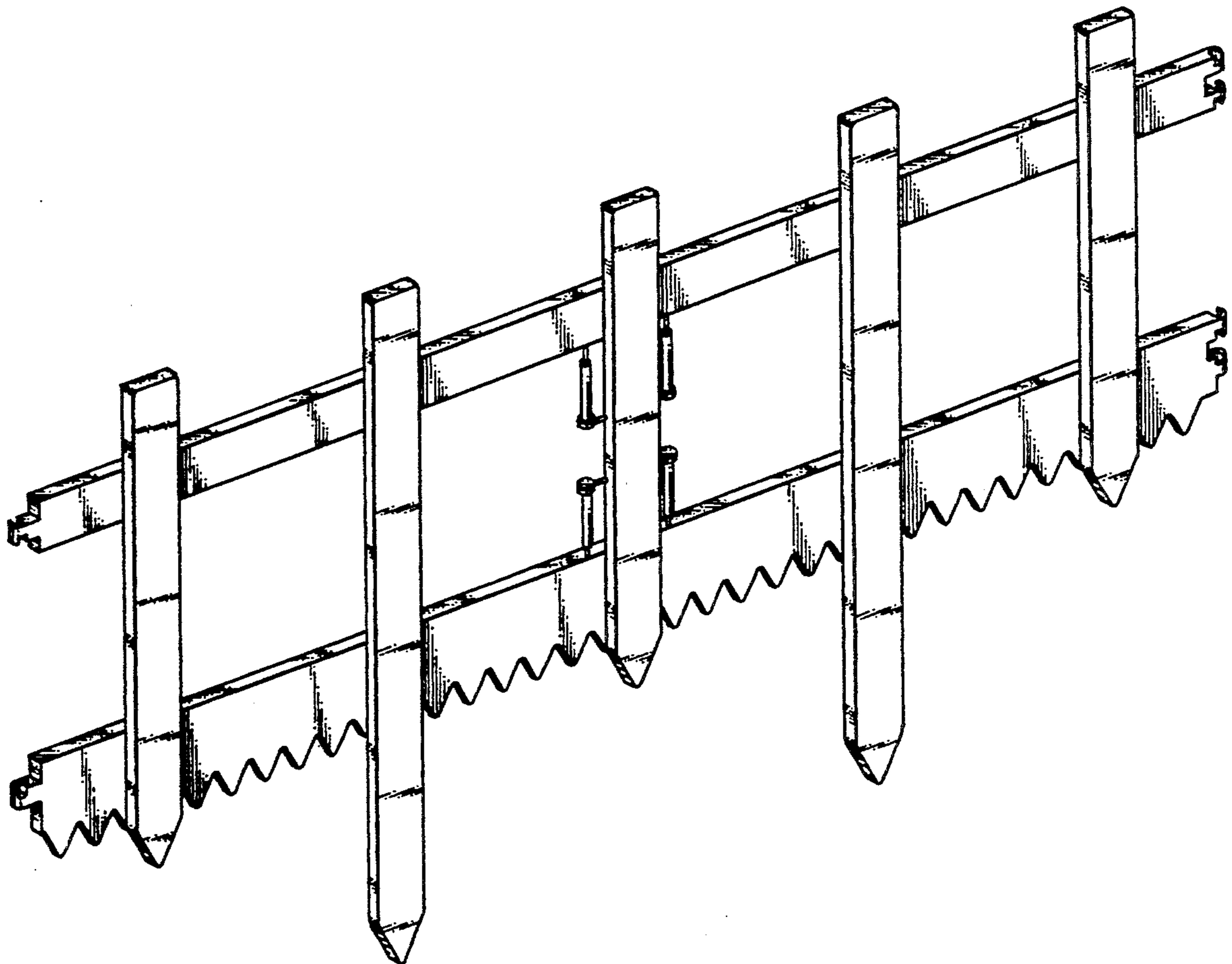
Primary Examiner—Doris Clark
Attorney, Agent, or Firm—Andrew J. Dillon

[57] **CLAIM**

The ornamental design for a fence unit, as shown and described.

DESCRIPTION

FIG. 1 is a perspective view of a fence unit of the present invention;
 FIG. 2 is a front view of a fence unit of the present invention;
 FIG. 3 is a left side view of a fence unit of the present invention;
 FIG. 4 is a right side view of a fence unit of the present invention;
 FIG. 5 is a top view of a fence unit of the present invention;
 FIG. 6 is a back view of a fence unit of the present invention; and,
 FIG. 7 is a bottom view of a fence unit of the present invention.



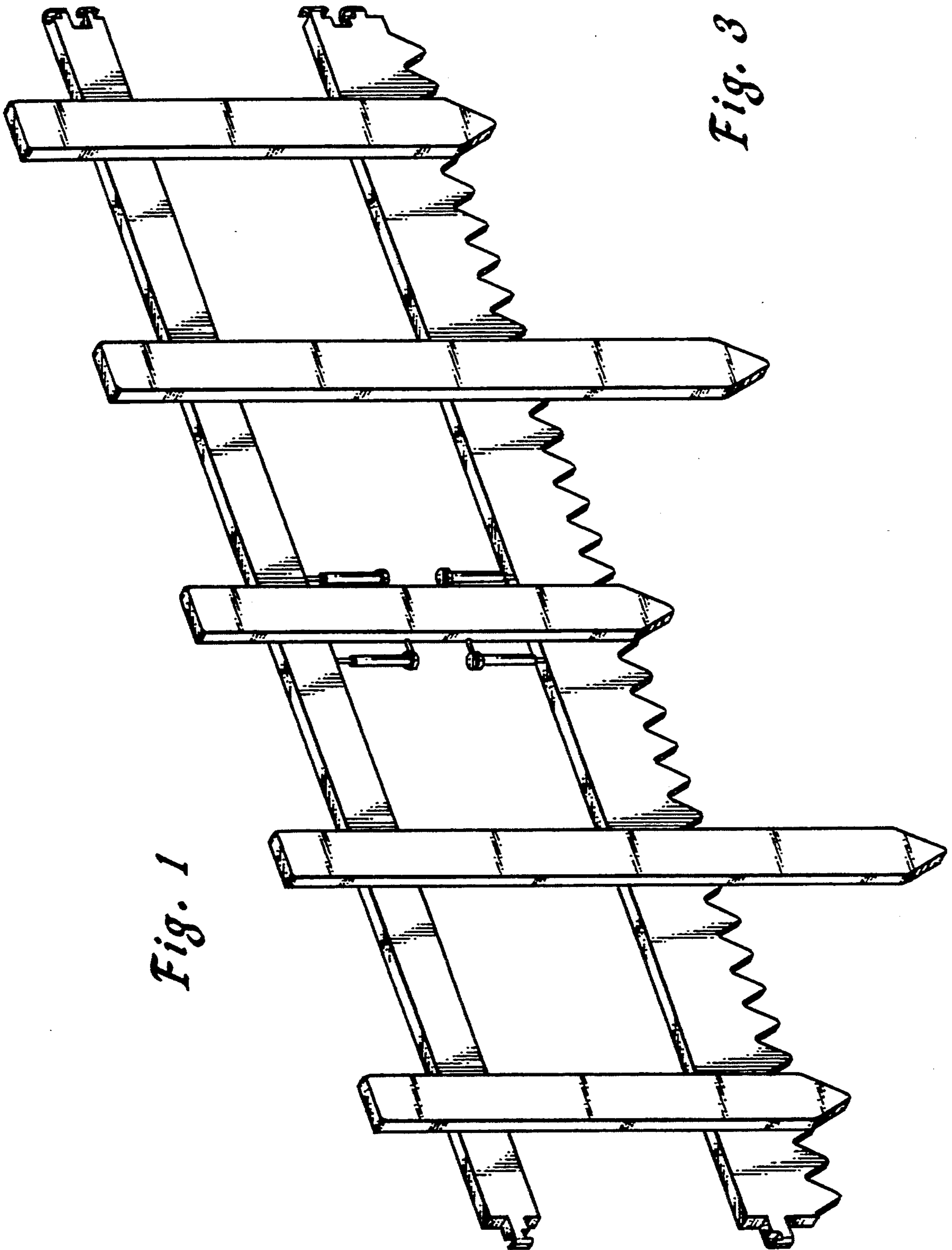


Fig. 1

Fig. 3

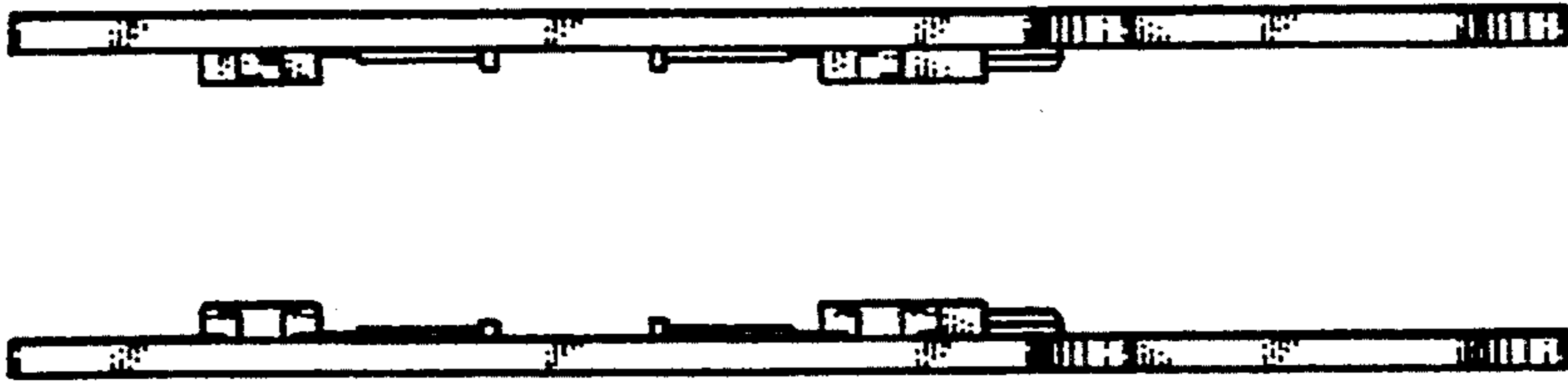


Fig. 4

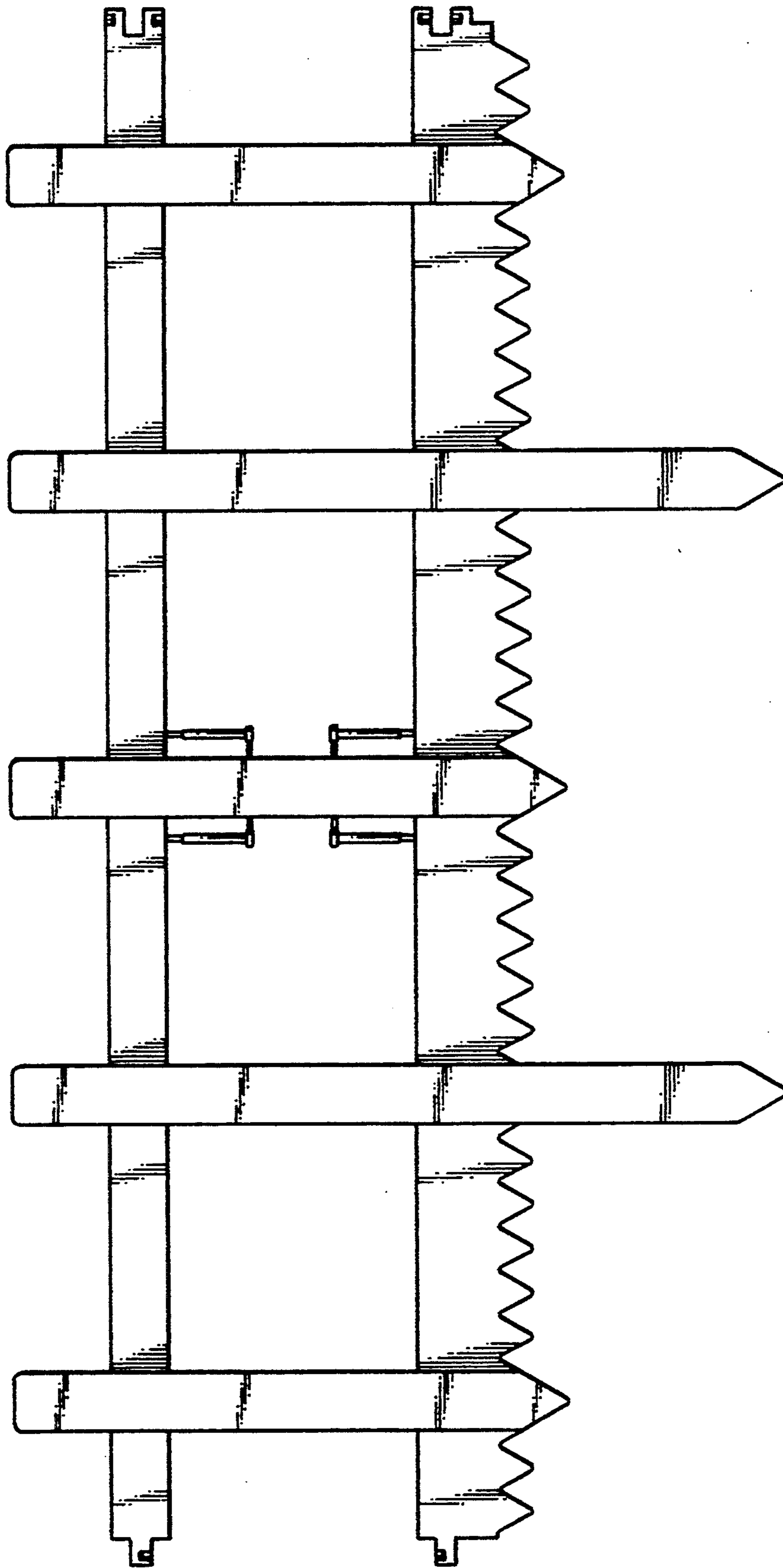


Fig. 2



Fig. 5

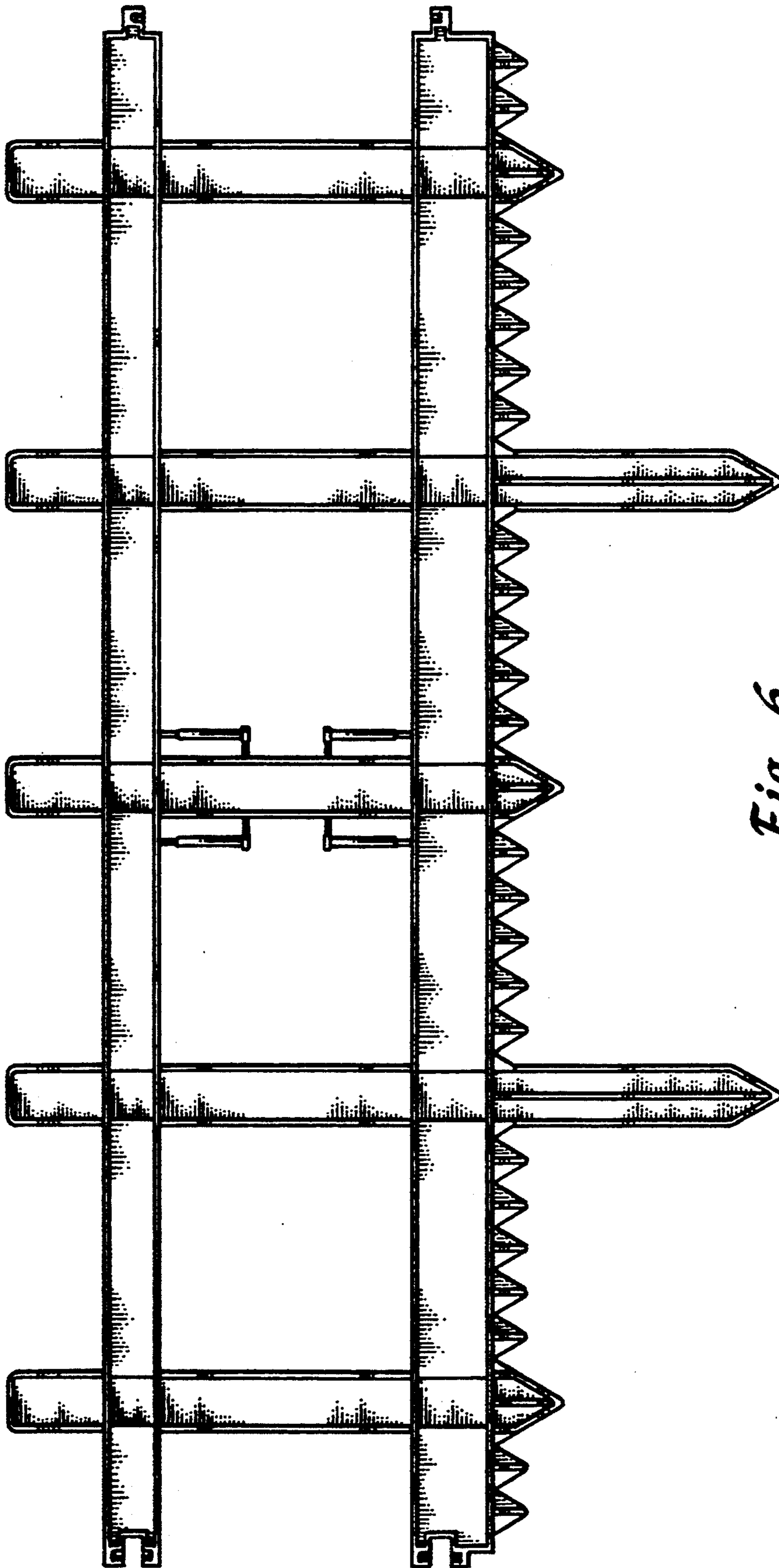


Fig. 6



Fig. 7