



US00D359125S

United States Patent [19] Livingston

[11] Patent Number: **Des. 359,125**

[45] Date of Patent: **** Jun. 6, 1995**

[54] **MICROBIAL MONITORING MODULE**

5,053,197	10/1991	Bowen	422/61	X
5,185,127	2/1993	Vonk	422/61	X
5,212,065	5/1993	Pegg et al.	422/61	X

[75] Inventor: **Dwight Livingston, Towson, Md.**

[73] Assignee: **Becton Dickinson and Company, Franklin Lakes, N.J.**

Primary Examiner—A. Hugo Word
Assistant Examiner—I. Simmons
Attorney, Agent, or Firm—Susan A. Capello

[**] Term: **14 Years**

[57] **CLAIM**

[21] Appl. No.: **13,601**

The ornamental design for a microbial monitoring module, as shown and described.

[22] Filed: **Sep. 28, 1993**

[52] U.S. Cl. **D24/223; D24/224**

[58] Field of Search **D24/223, 224, 225, 230; 430/809, 810, 811, 65, 900; 422/102, 61, 100**

DESCRIPTION

[56] **References Cited**

U.S. PATENT DOCUMENTS

D. 324,426	3/1992	Fon et al.	D24/226
D. 348,521	7/1994	Meyers et al.	D24/224 X
4,877,586	10/1989	Devaney, Jr. et al.	422/58 X
5,035,860	7/1991	Kleingeld et al.	422/61

FIG. 1 is a top and front perspective view of the microbial monitoring module;

FIG. 2 is a top plan view thereof;

FIG. 3 is a front elevational view thereof;

FIG. 4 is a side elevational view thereof;

FIG. 5 is a back elevational view thereof;

FIG. 6 is a bottom plan view thereof; and,

FIG. 7 is a top and front perspective view of the unassembled microbial monitoring module.

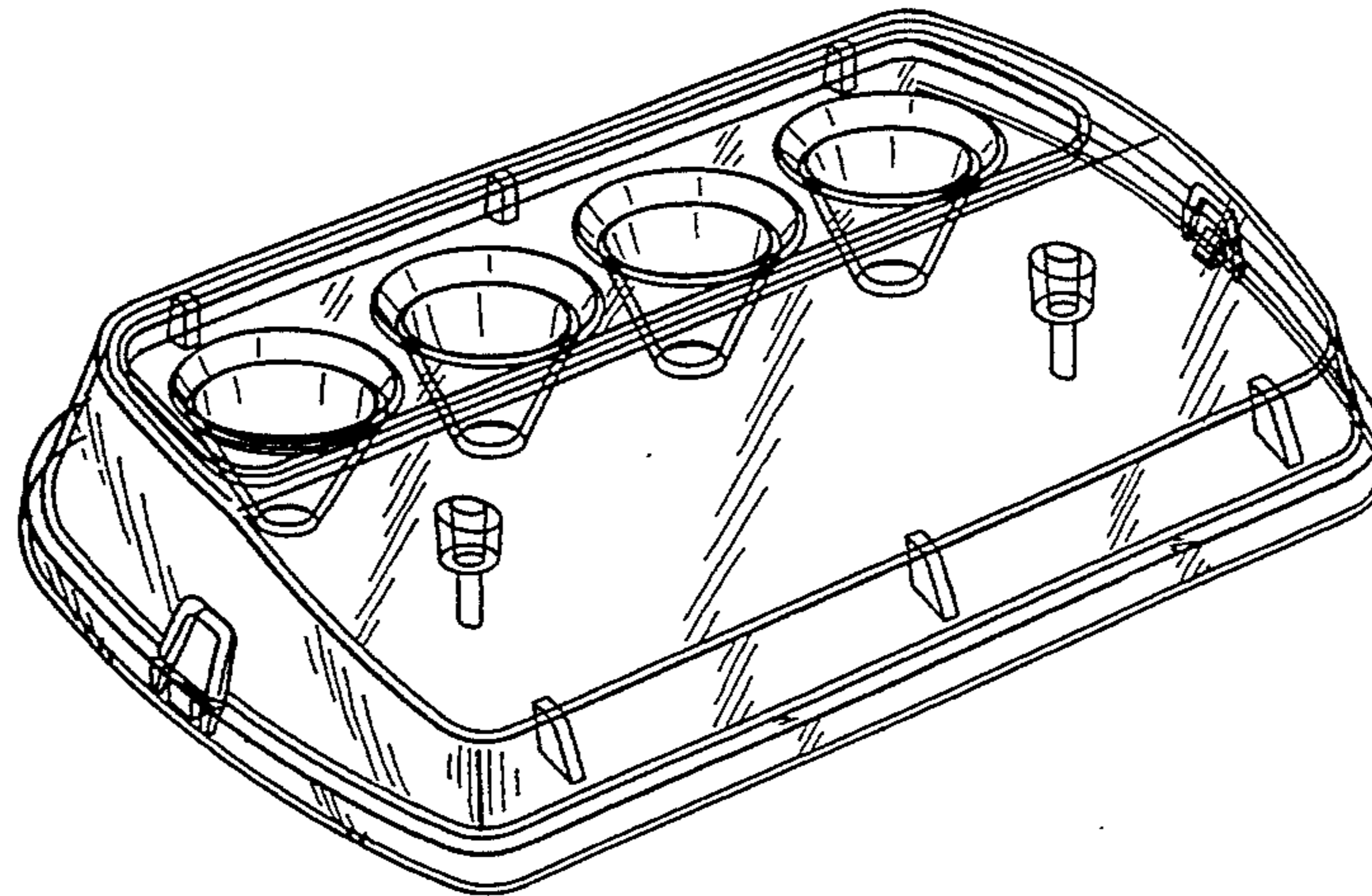
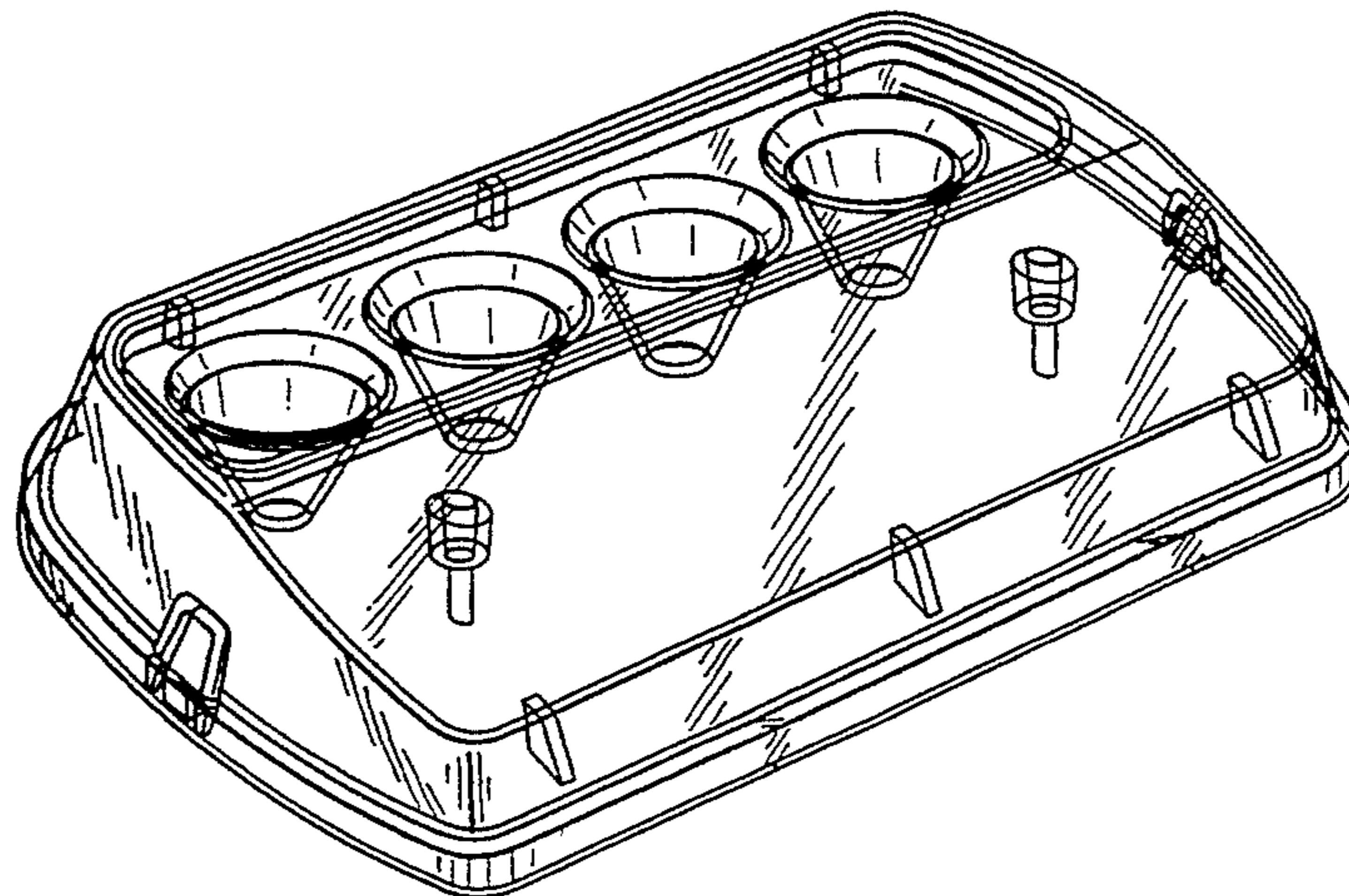


FIG-1

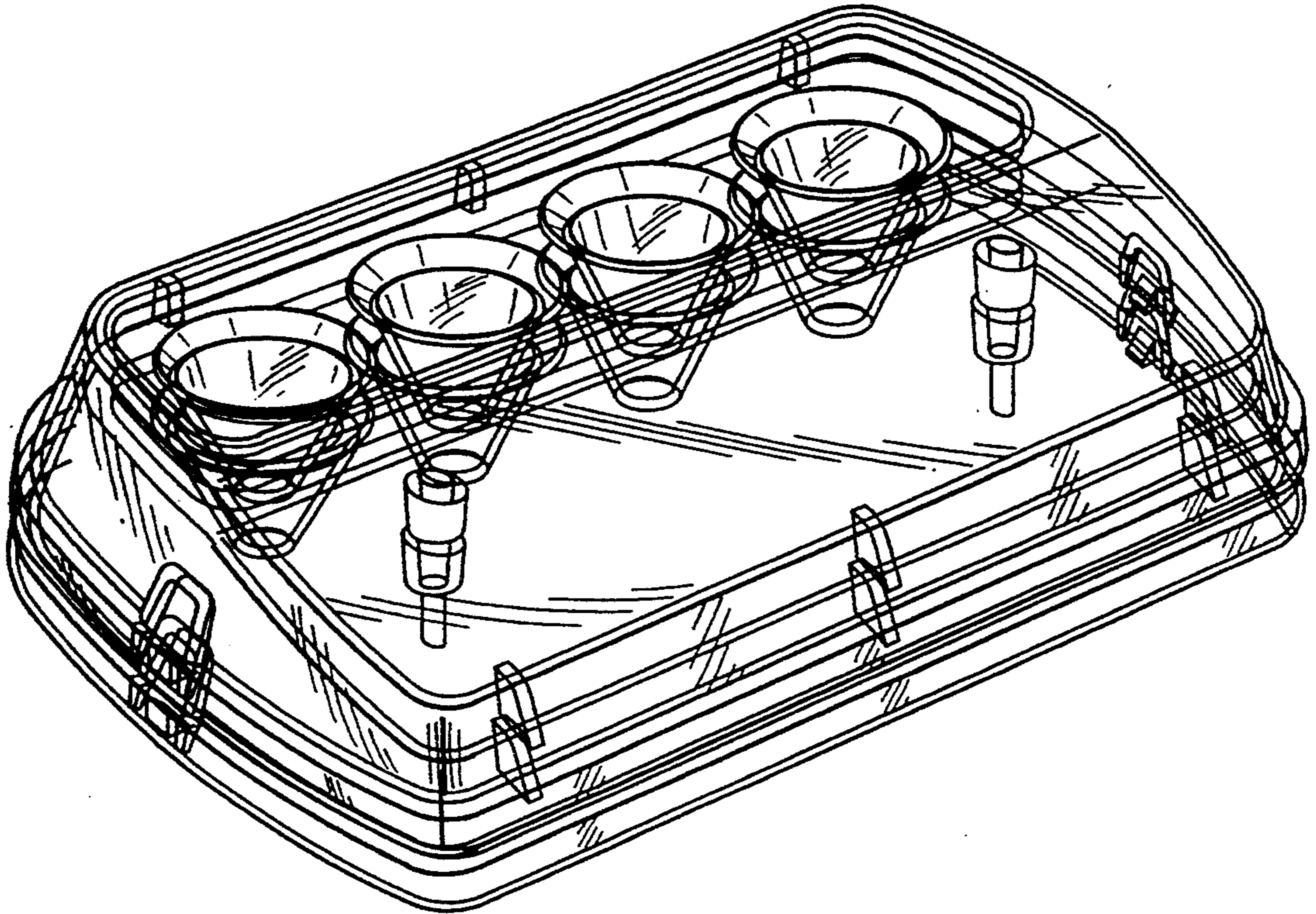


FIG-2

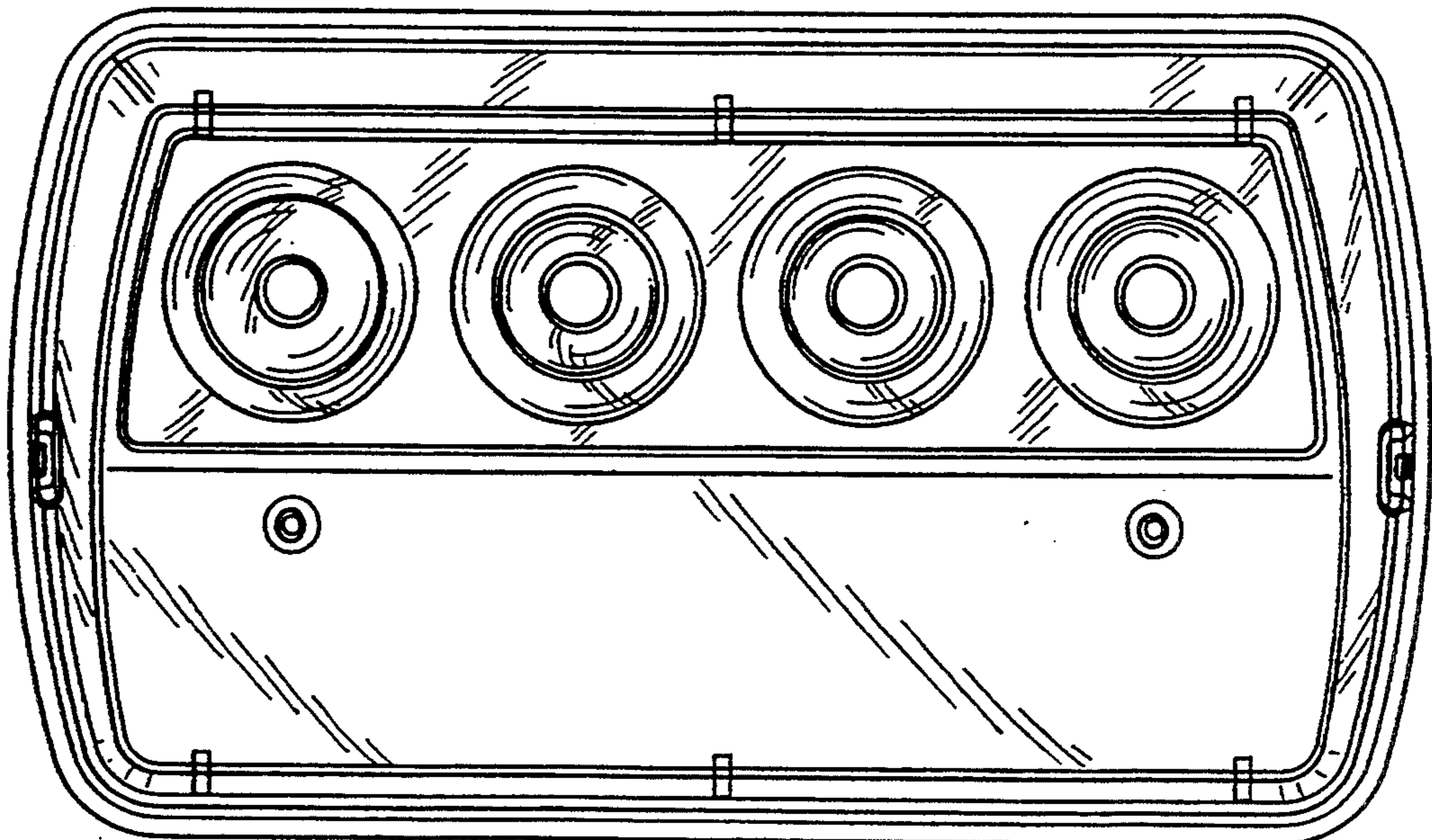


FIG-3

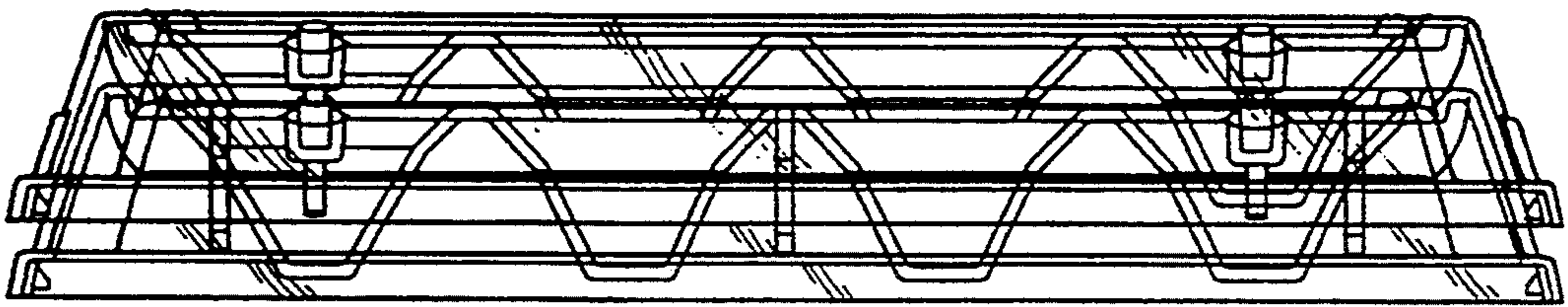


FIG-4

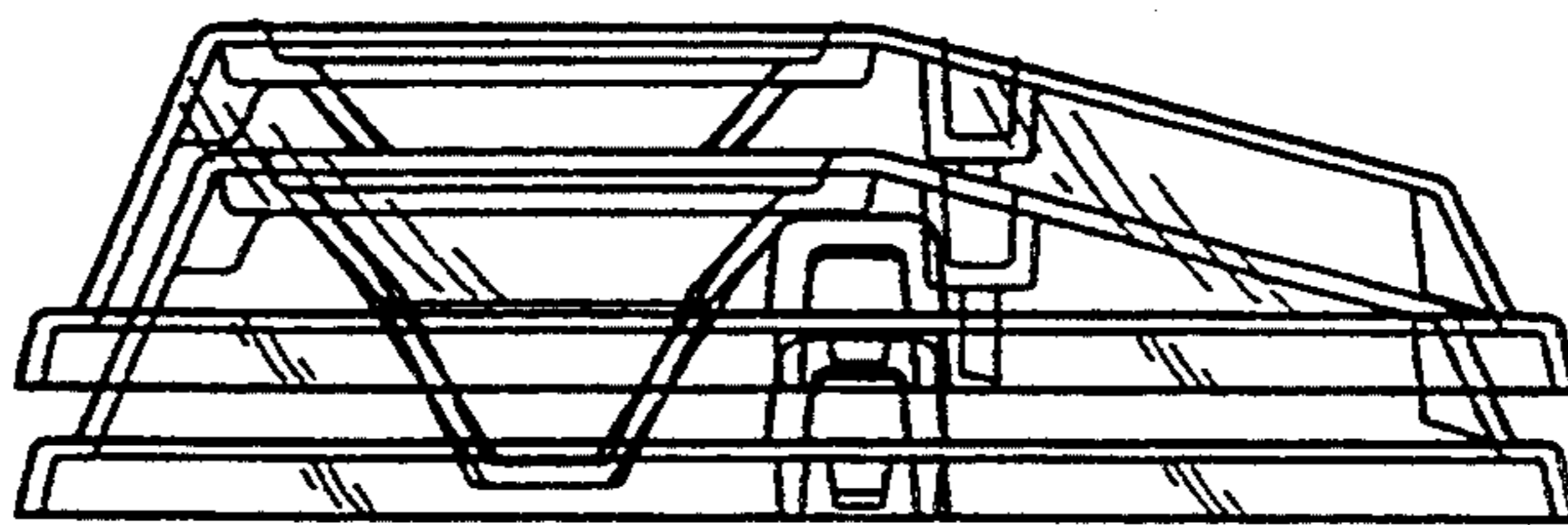


FIG-5

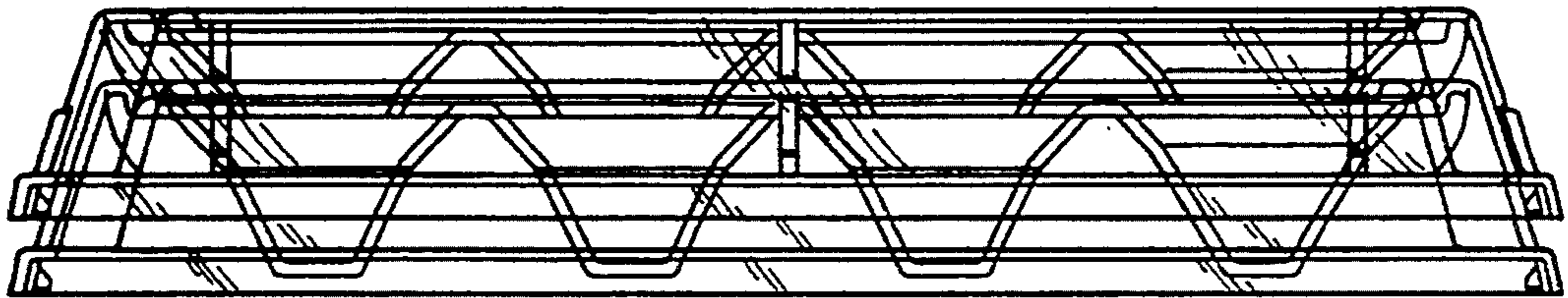


FIG-6

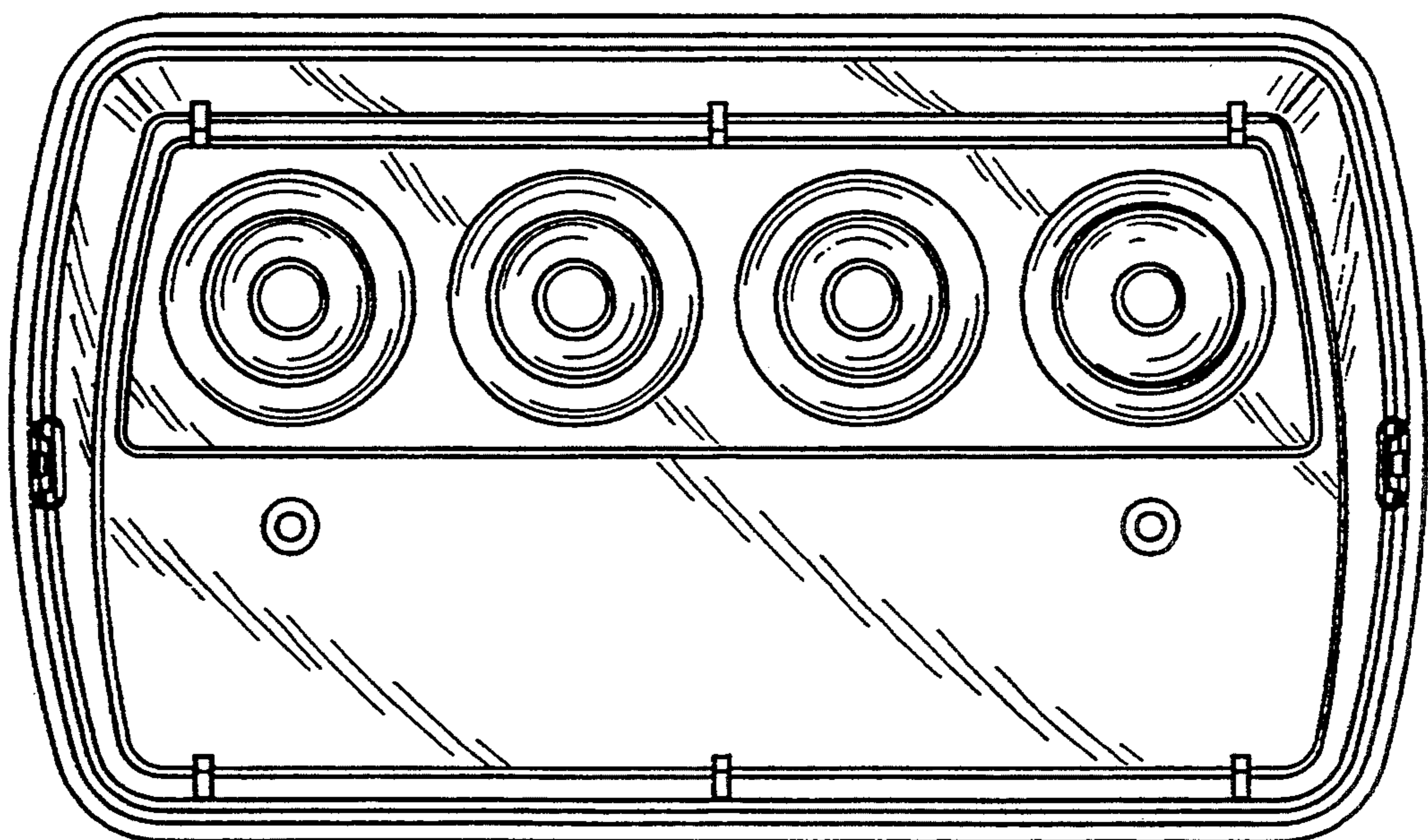


FIG-7

