



US00D359118S

United States Patent [19]

[11] Patent Number: **Des. 359,118**

Nates

[45] Date of Patent: **** Jun. 6, 1995**

[54] **COMBINED SUCTION NOZZLE AND HANDLE FOR USE IN SURGICAL PROCEDURES**

[76] Inventor: **Colin Nates, 47 Erlswold Way, Saxonwold Johannesburg, South Africa**

[**] Term: **14 Years**

[21] Appl. No.: **613,362**

[22] Filed: **Nov. 14, 1990**

[30] **Foreign Application Priority Data**

May 14, 1990 [ZA] South Africa 900411

May 14, 1990 [ZA] South Africa 900412

[52] U.S. Cl. **D24/112; D24/108; D24/111**

[58] Field of Search **D24/108, 112; 604/30, 604/35, 39, 264, 275, 902; 128/752**

[56] **References Cited**

U.S. PATENT DOCUMENTS

D. 241,476 9/1976 Lahay D24/112

D. 247,915 5/1978 Lahay D24/112

D. 248,774 8/1978 Vällfors D24/112

D. 264,246 5/1982 Ekbladh et al. D24/112

D. 282,285 1/1986 Levy D24/112

Primary Examiner—A. Hugo Word

Assistant Examiner—I. Simmons
Attorney, Agent, or Firm—Merchant & Gould

[57] **CLAIM**

The ornamental design for a combined suction nozzle and handle for use in surgical procedures, as shown and described.

DESCRIPTION

FIG. 1 is a top plan view of the handle portion of the combined suction nozzle and handle for use in surgical procedures shown in FIG. 6;

FIG. 2 is a bottom plan view thereof;

FIG. 3 is a cross-sectional view taken along the line 3—3 of FIG. 1;

FIG. 4 is an end elevational view thereof;

FIG. 5 is an end elevational view thereof, opposite that shown in FIG. 4;

FIG. 6 is a side view of a combined suction nozzle and handle for use in surgical procedures showing my new design;

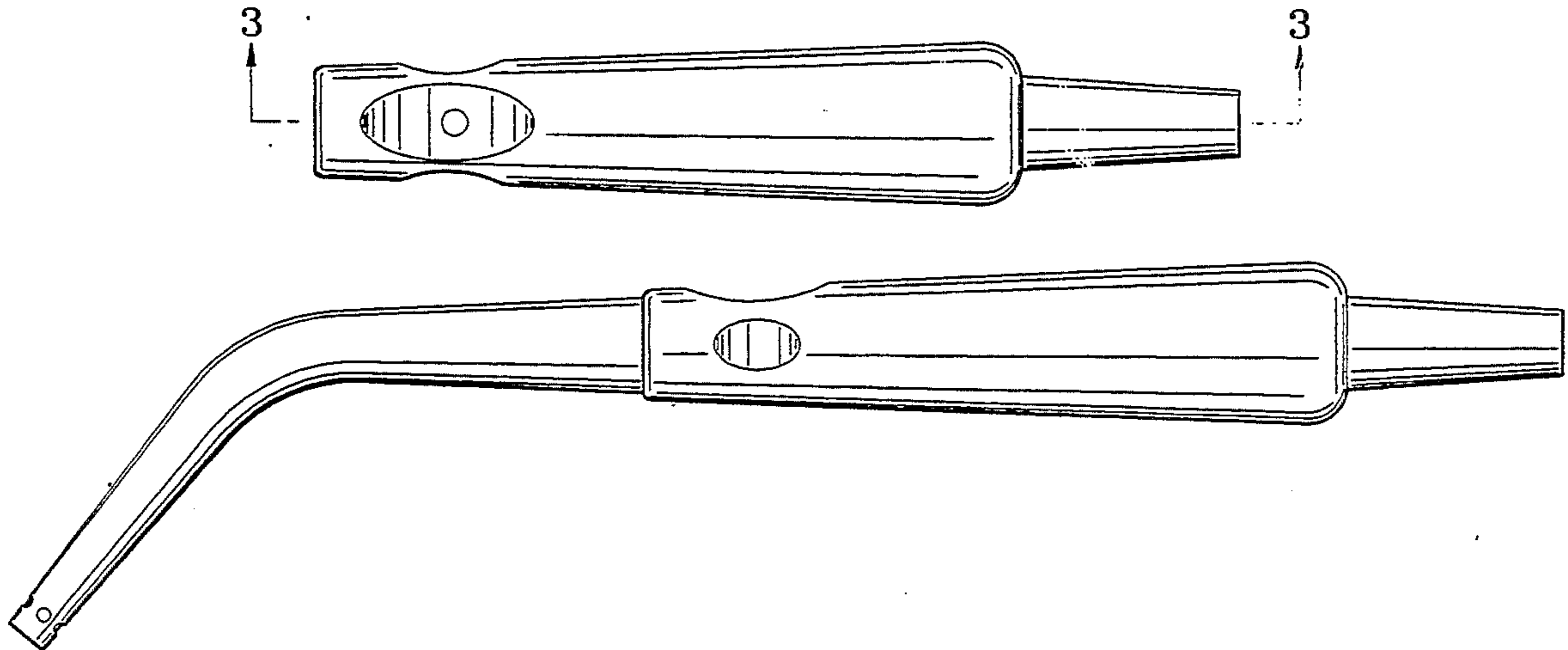
FIG. 7 is a bottom plan view of FIG. 6;

FIG. 8 is a cross-sectional view taken along the line 8—8 of FIG. 6;

FIG. 9 is an end elevational view thereof;

FIG. 10 is an end elevational view thereof, opposite that shown in FIG. 9; and,

FIG. 11 is a side view of the combined suction nozzle and handle for use in surgical procedures.



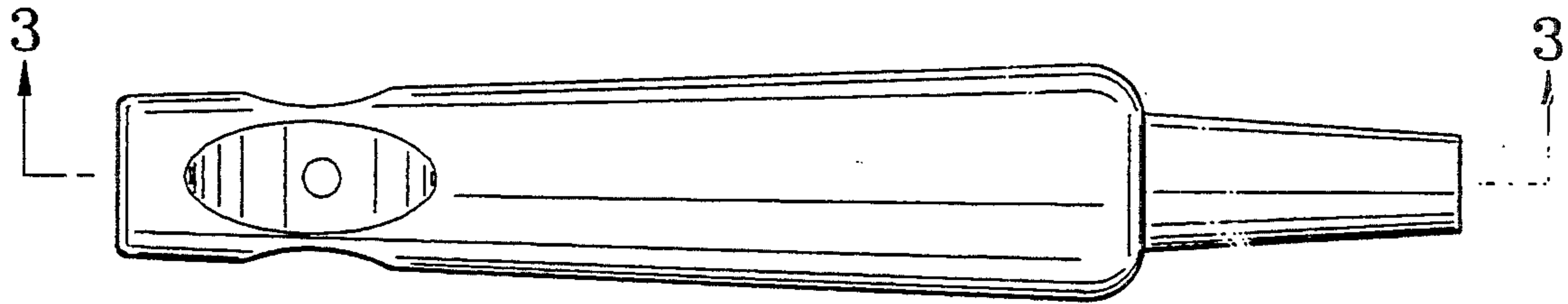


FIG. 1

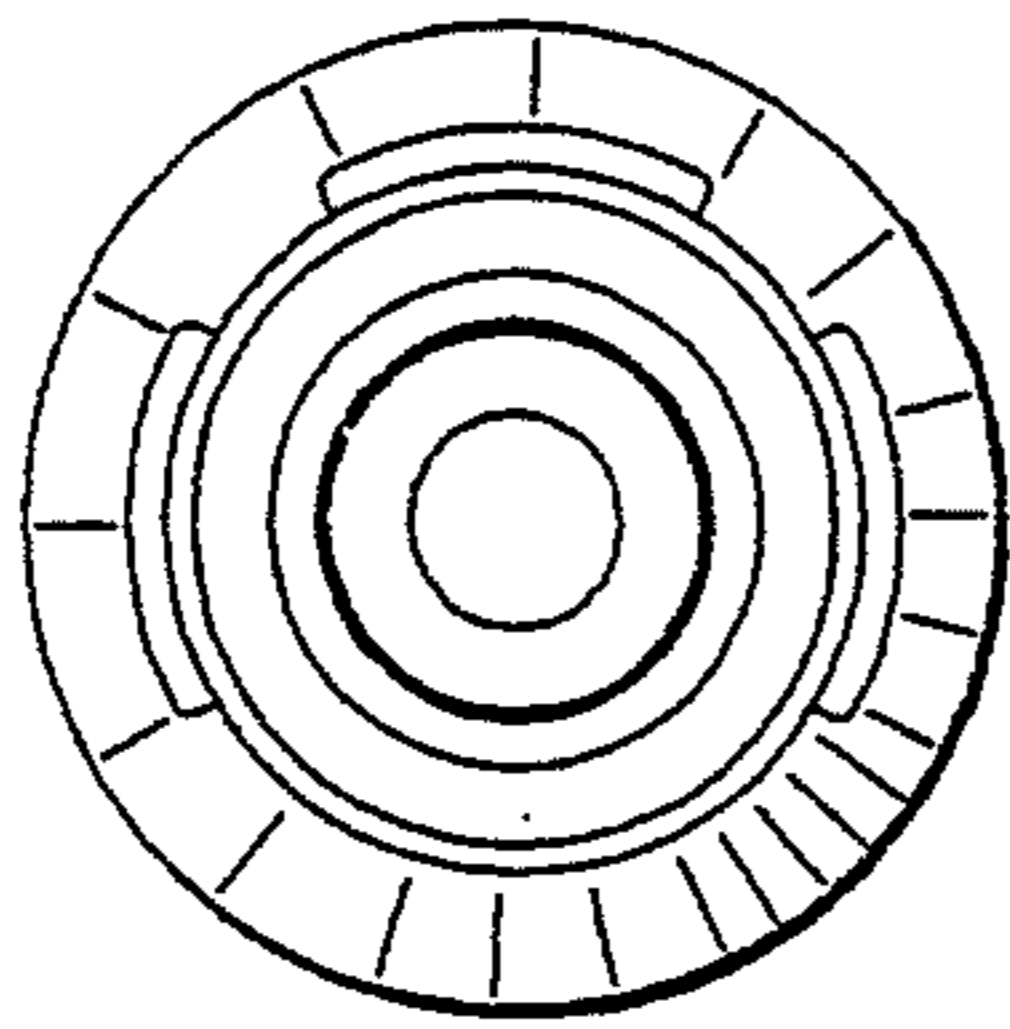


FIG. 4

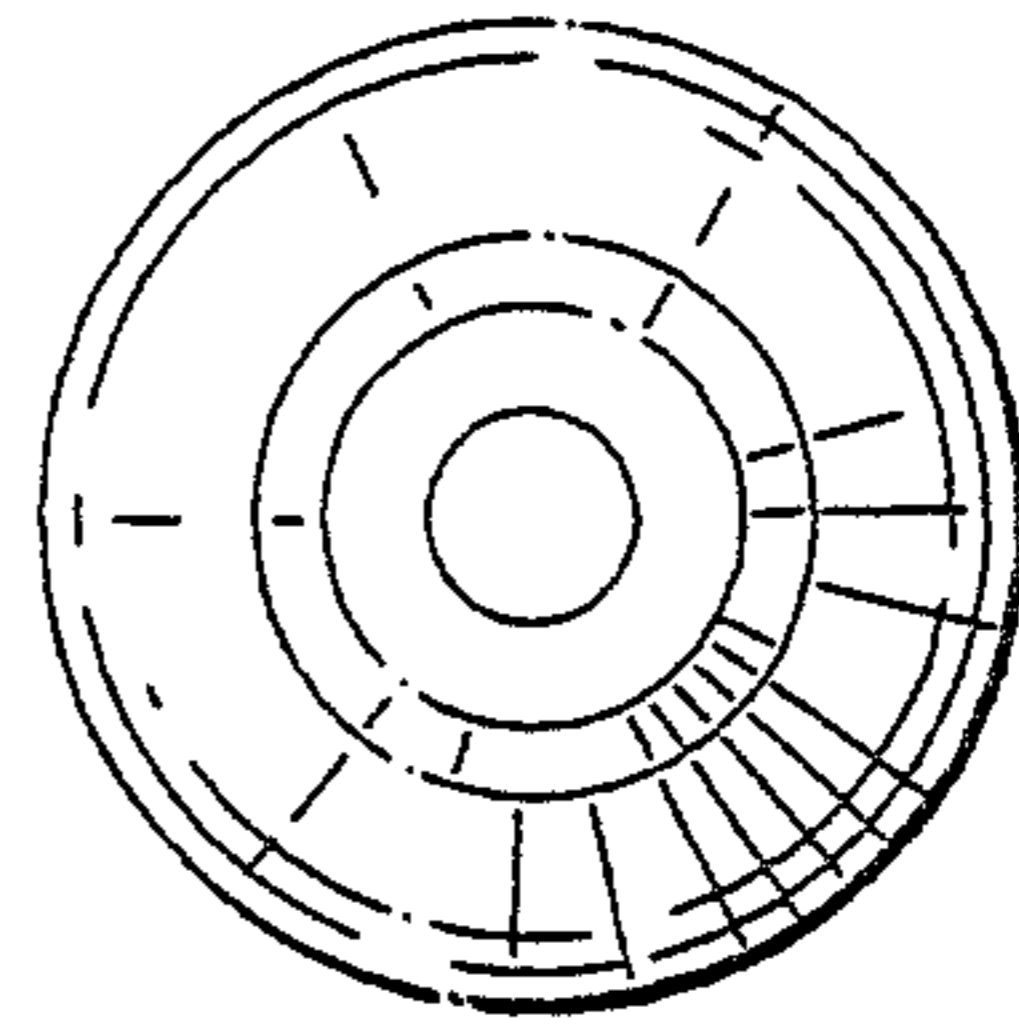


FIG. 5

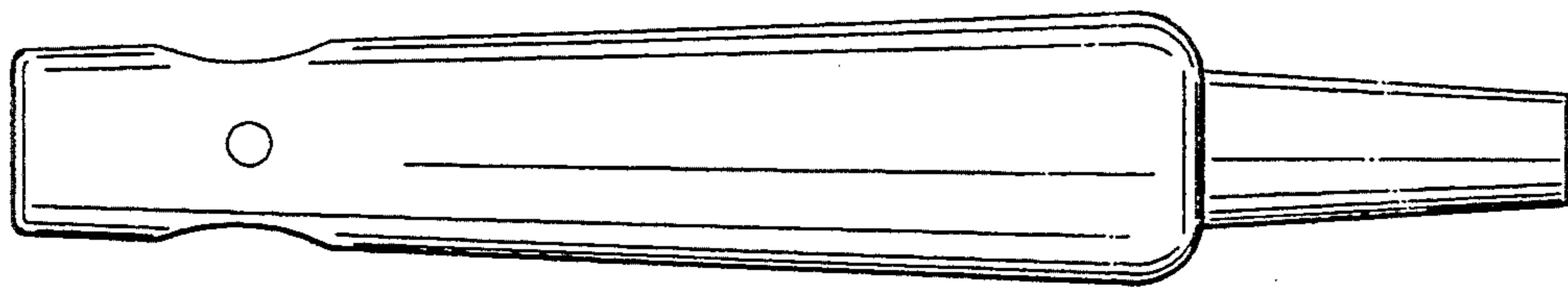


FIG. 2

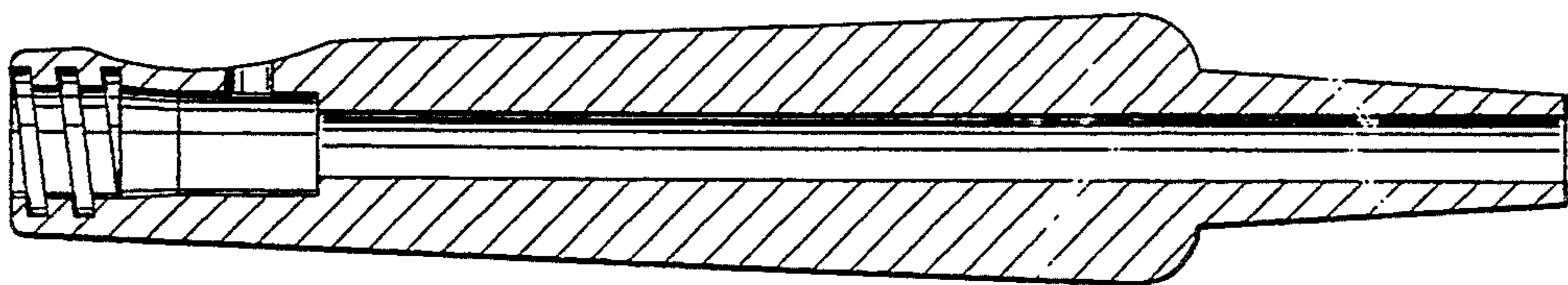


FIG. 3

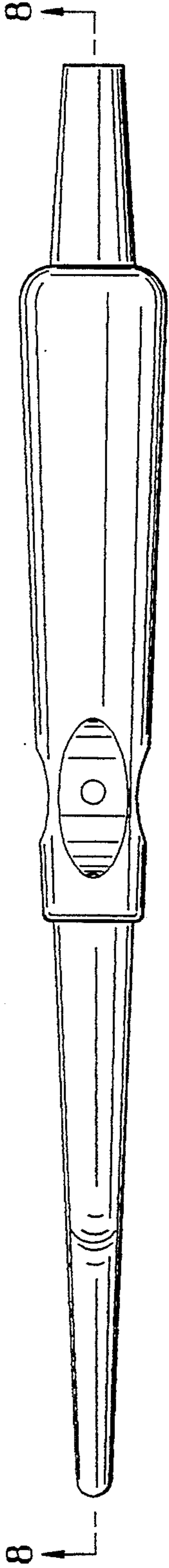


FIG. 6

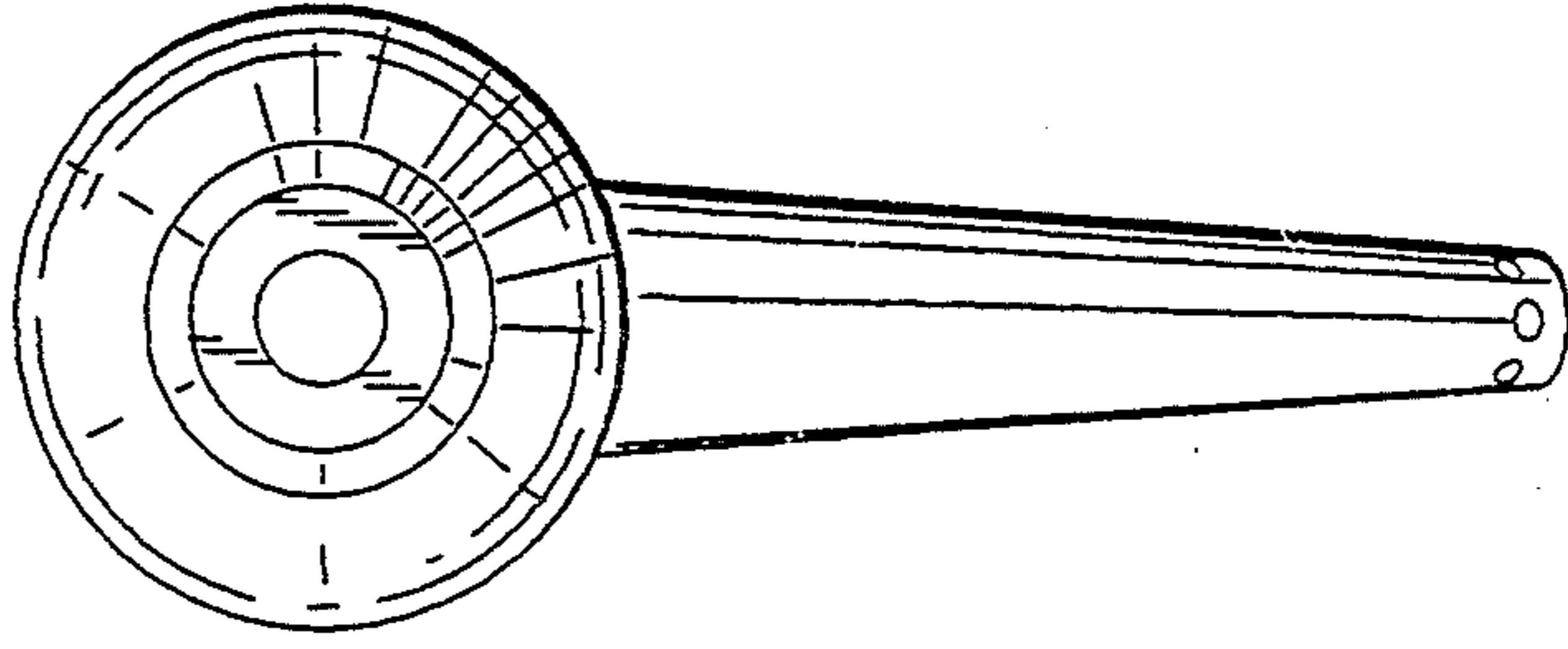


FIG. 10

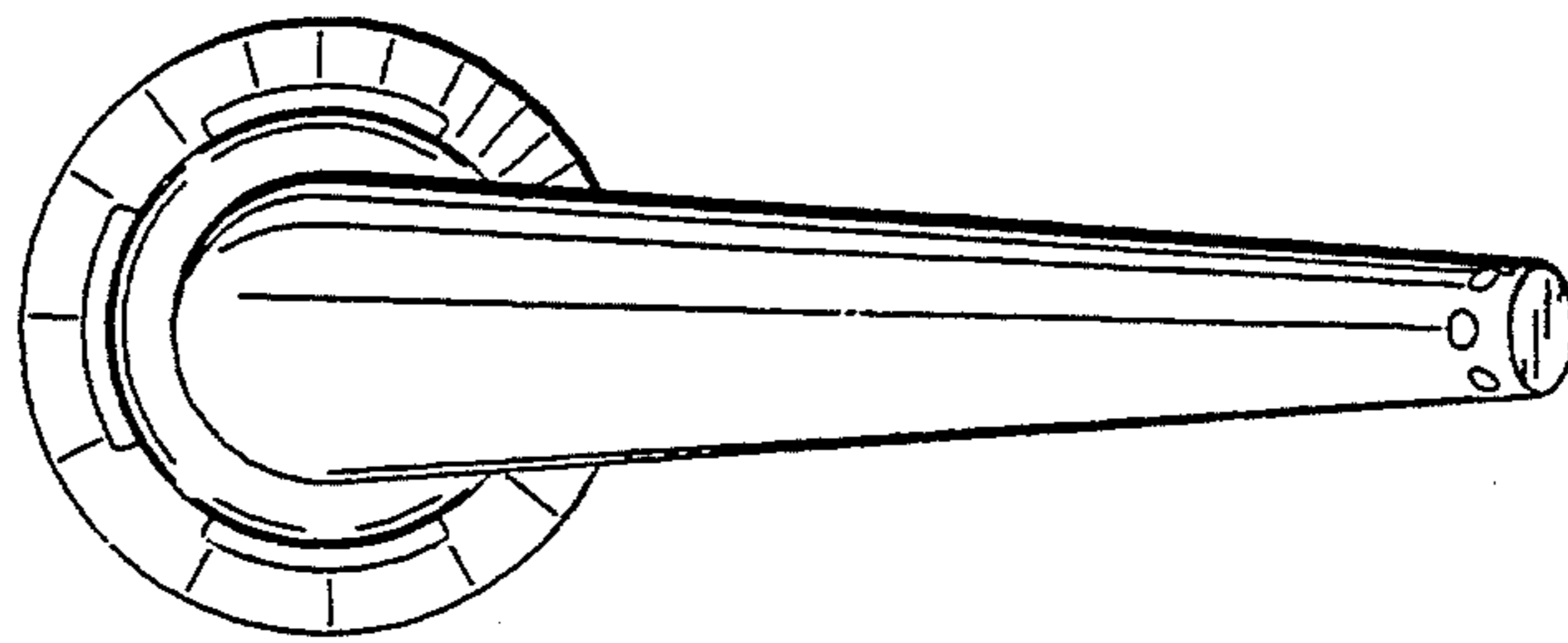


FIG. 9

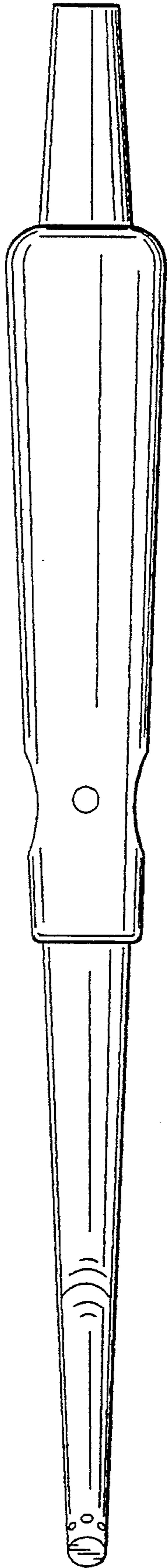


FIG. 7

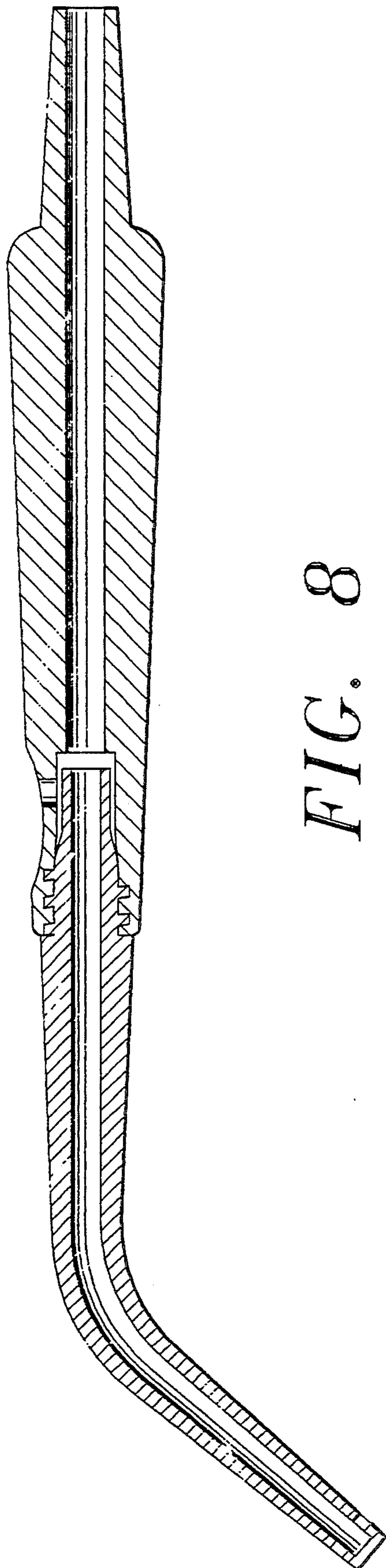


FIG. 8

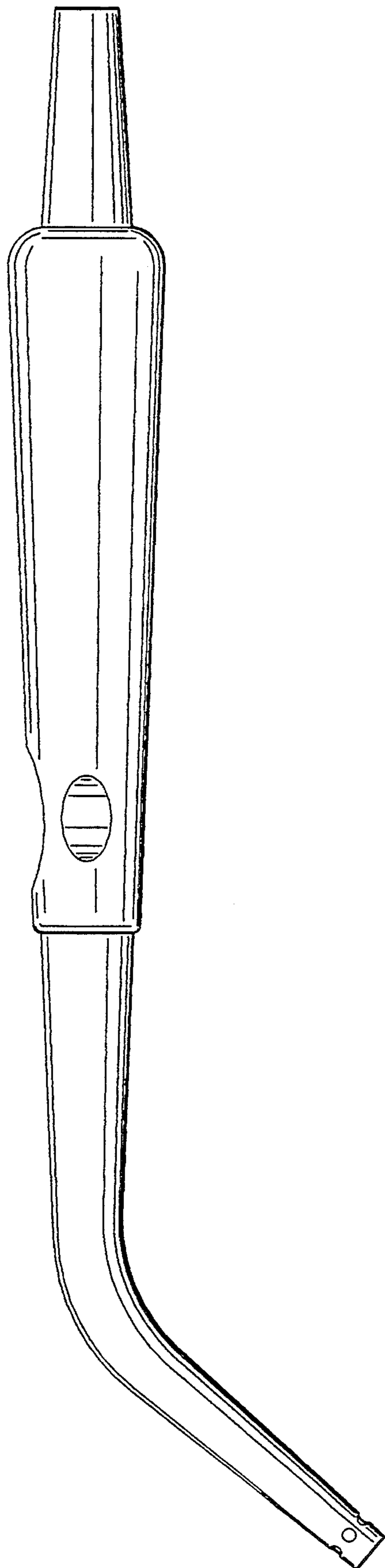


FIG. 11