



US00D359115S

# United States Patent [19]

[11] Patent Number: **Des. 359,115**

Schroeter

[45] Date of Patent: **\*\* Jun. 6, 1995**

## [54] WOODSTOVE

[76] Inventor: **Wolfgang Schroeter**, 29 Doran Rd.,  
Midhurst, Ontario, Canada, L0L 4Y8

[\*\*] Term: **14 Years**

[21] Appl. No.: **18,637**

[22] Filed: **Feb. 14, 1994**

[52] U.S. Cl. .... **D23/343; D23/342**

[58] Field of Search ..... **D23/343, 342, 344;**  
**126/512, 60, 61, 65, 66**

## [56] References Cited

### U.S. PATENT DOCUMENTS

D. 265,339 7/1982 Baughman ..... D23/343  
4,766,876 8/1988 Henry et al. .... 126/60

## OTHER PUBLICATIONS

Ranger Stove Co. Adv. Flyer, Ranger 826 Stove right side of page.

Cesco Industries Inc. Fisher Stoves Adv. Brochure, front cover, Fisher Stove.

*Primary Examiner*—Lisa P. Lichtenstein

*Attorney, Agent, or Firm*—Kvas Miller Everitt

## [57] CLAIM

The ornamental design for a woodstove, as shown and described.

## DESCRIPTION

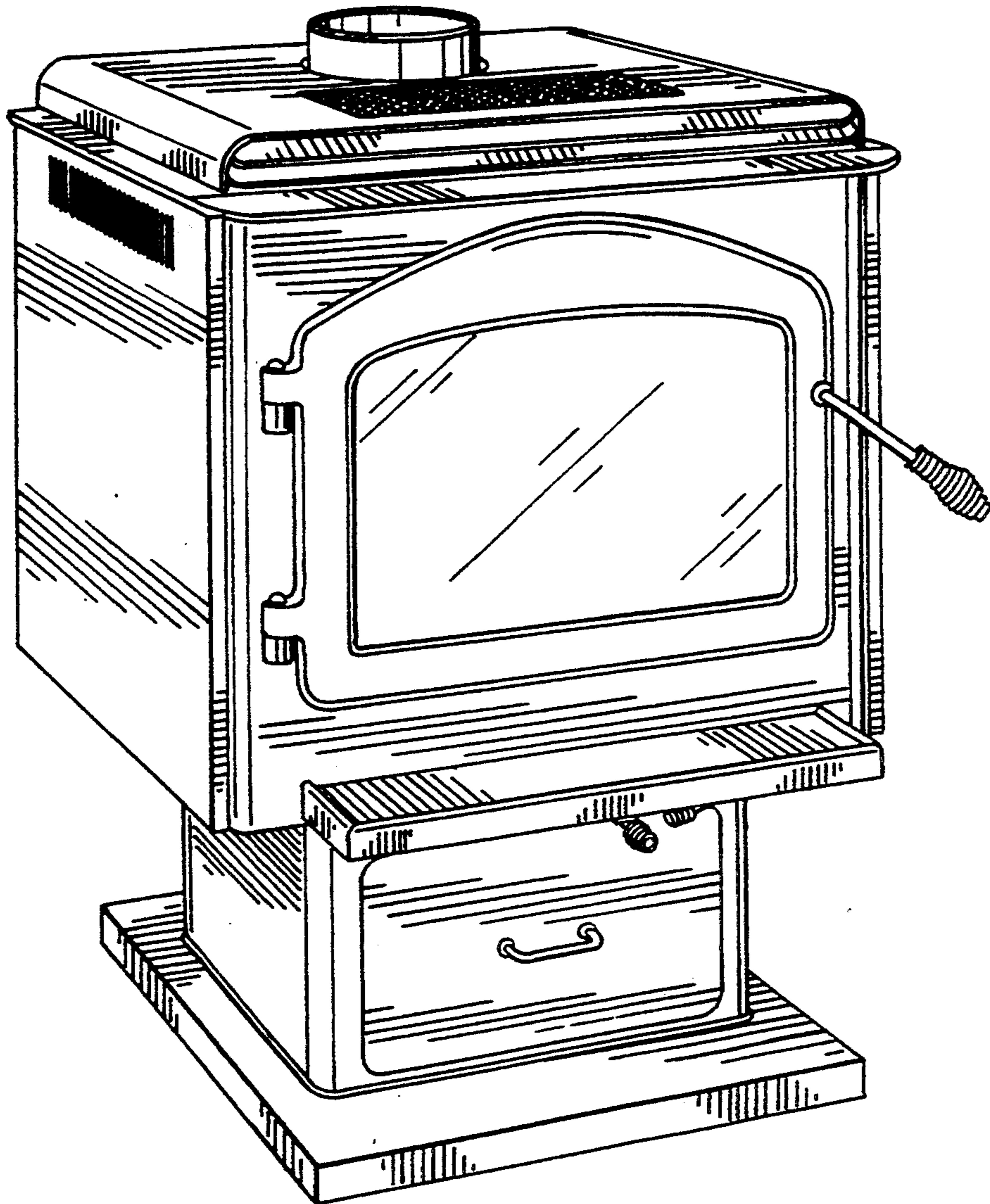
FIG. 1 is a perspective view of the woodstove;

FIG. 2 is a top plan view thereof;

FIG. 3 is a front elevational view thereof; and,

FIG. 4 is a right side elevational view thereof.

The rear of the woodstove is plain and unornamented.



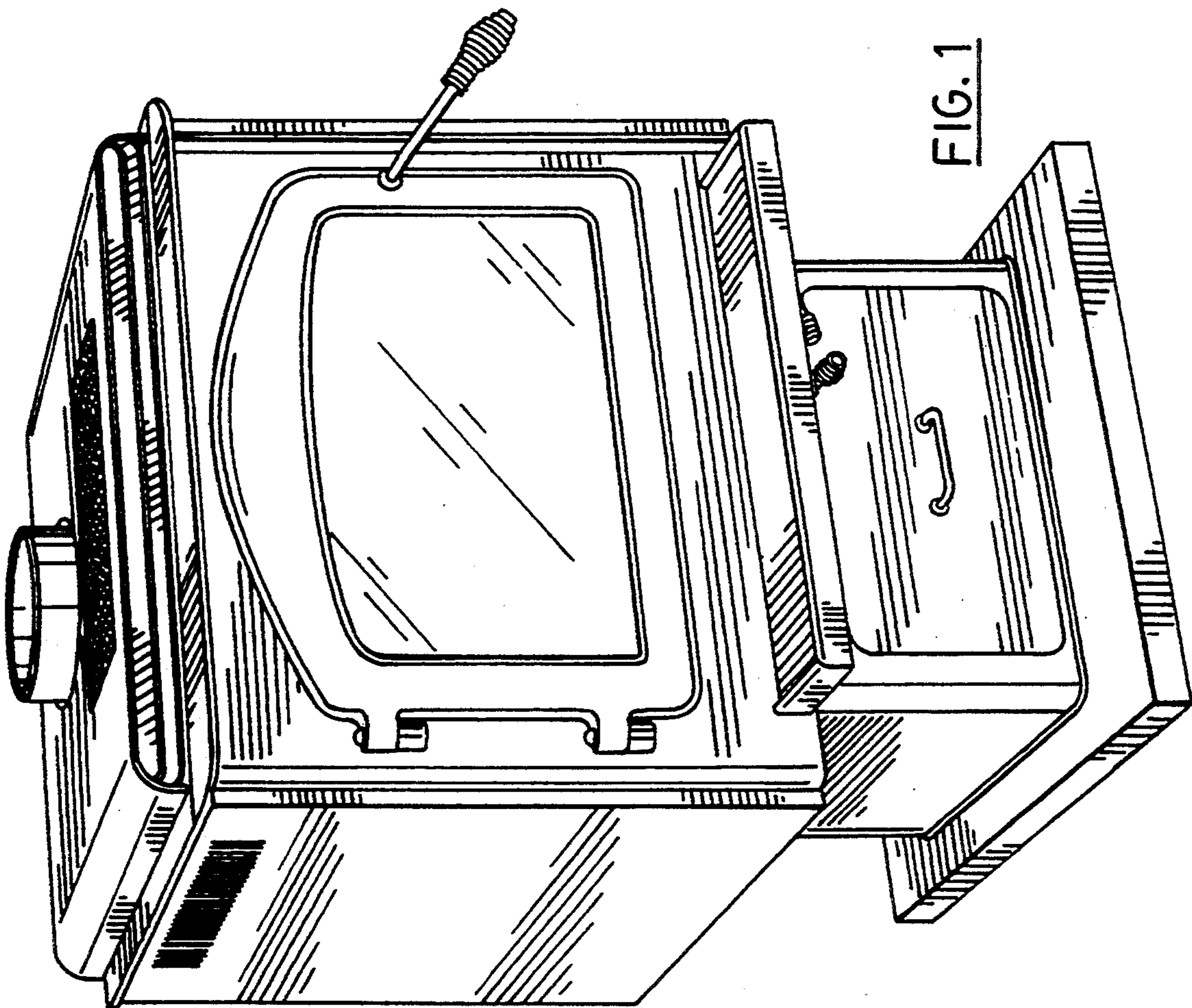


FIG. 1

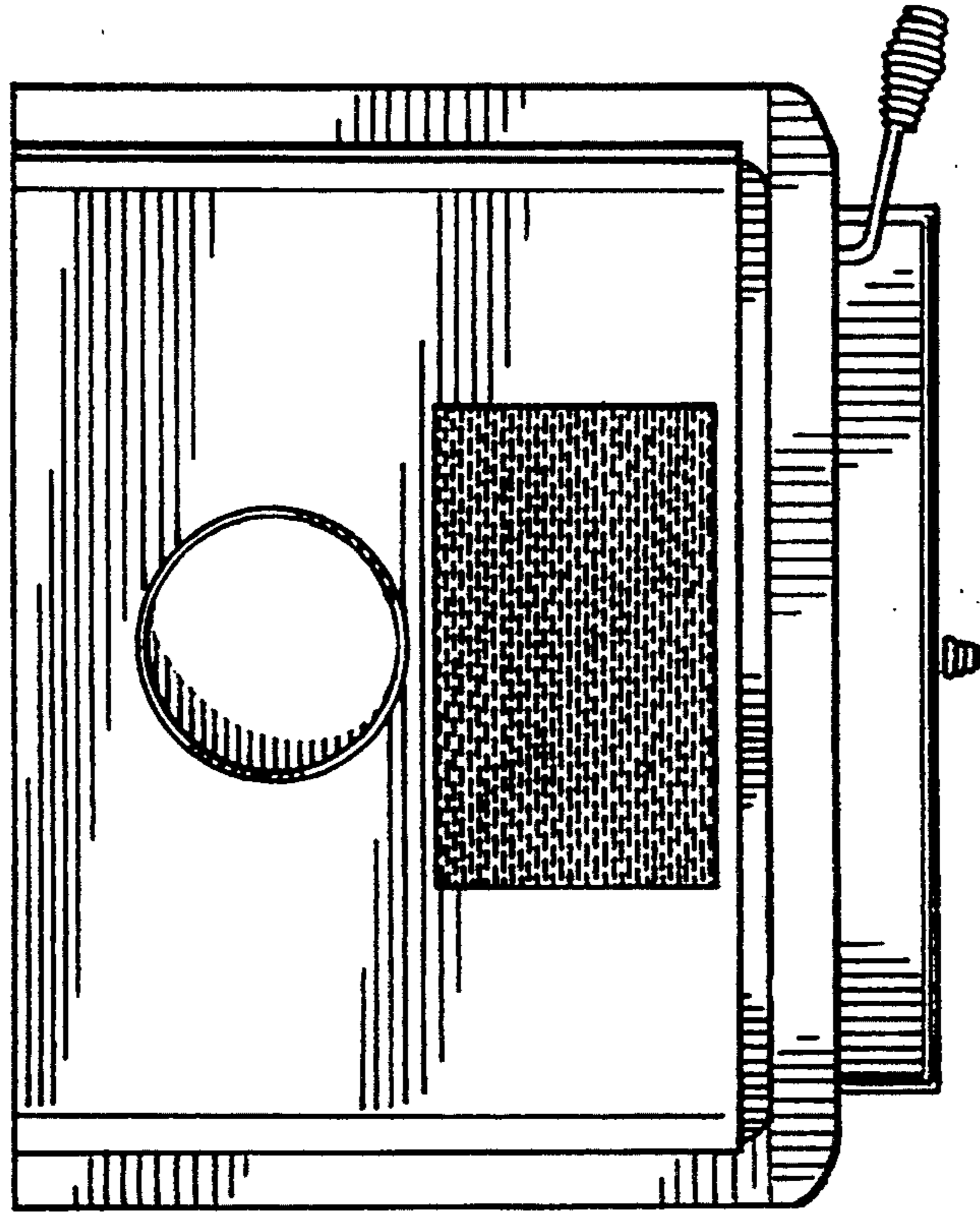


FIG. 2



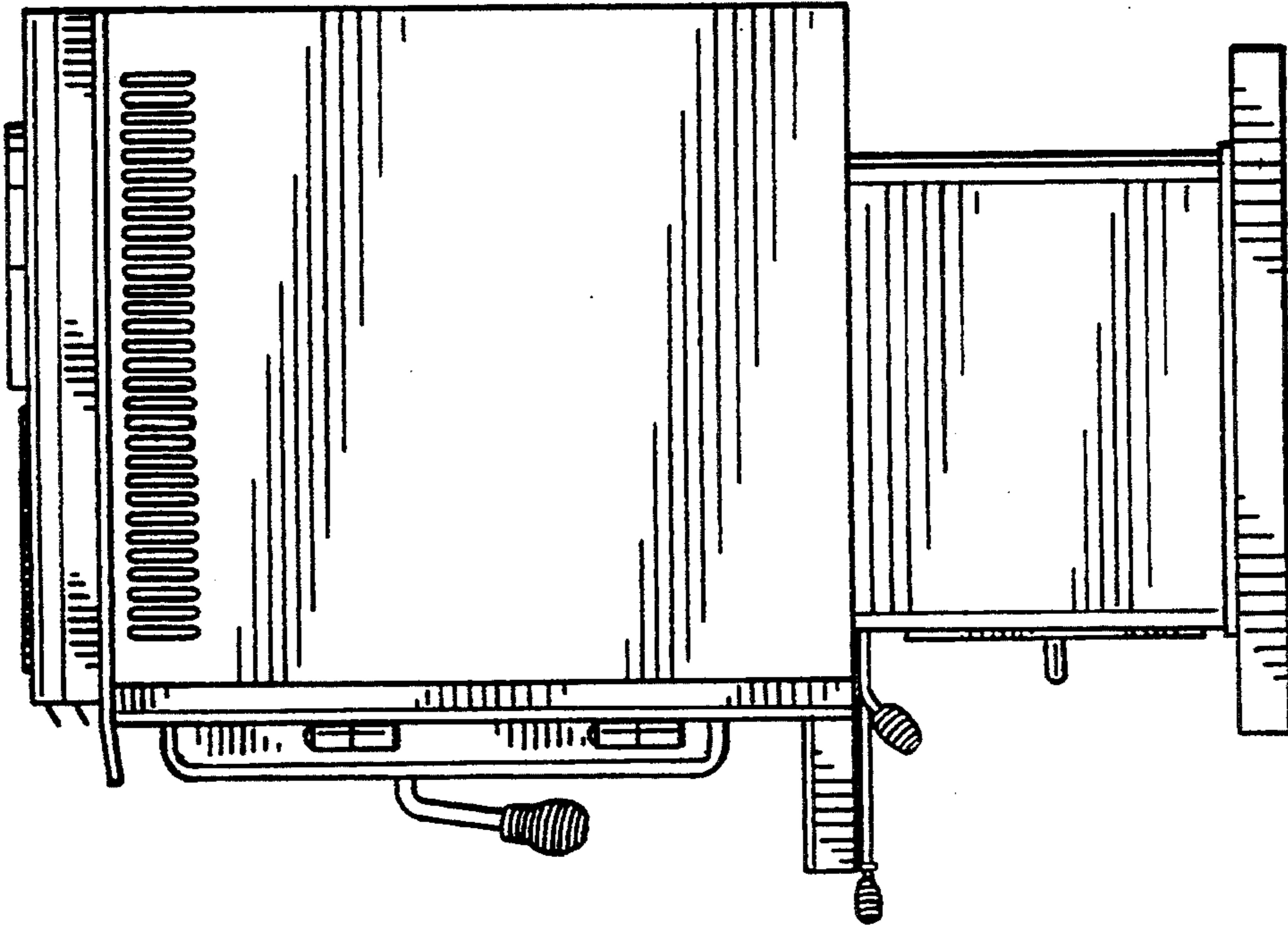


FIG. 4

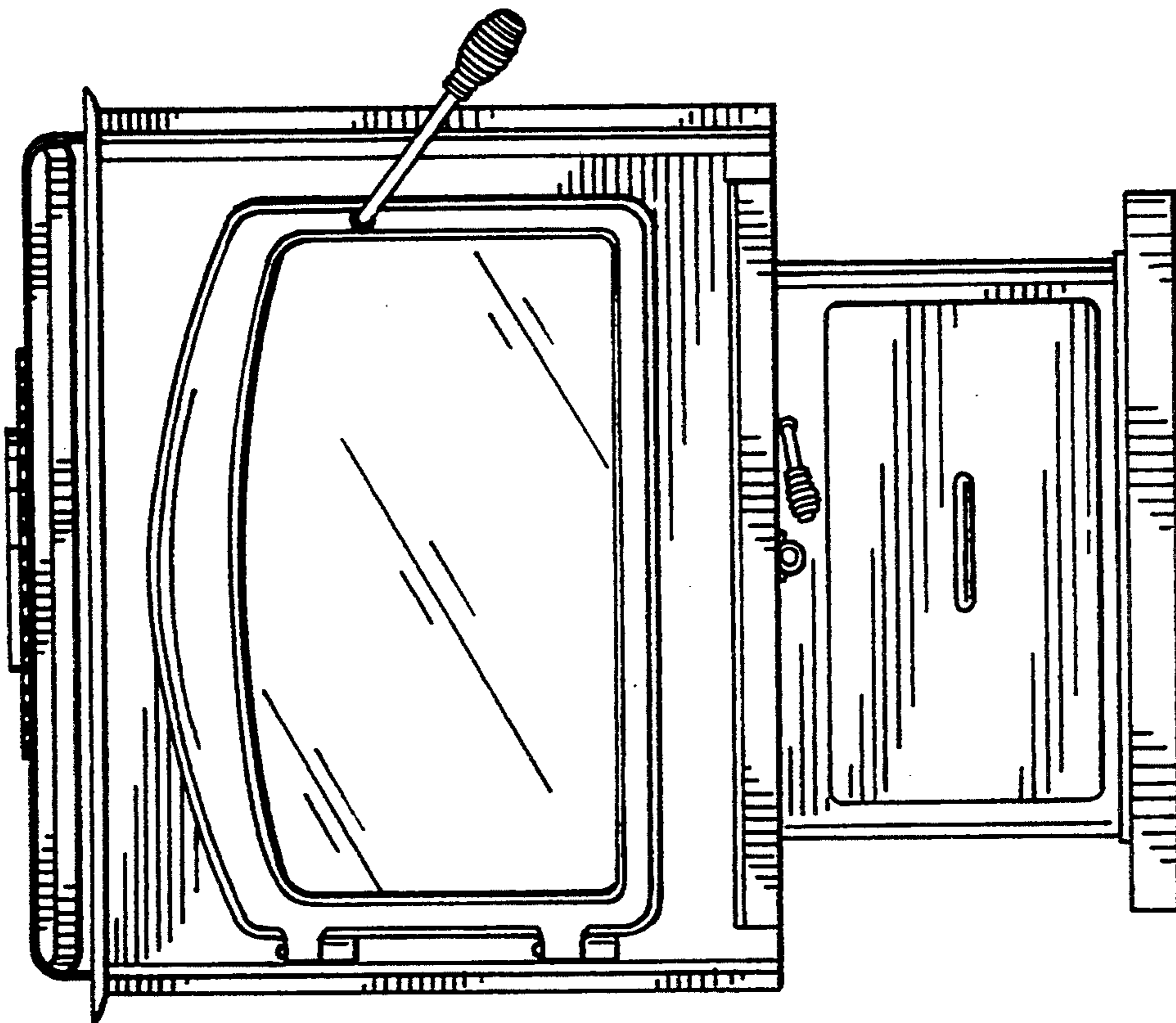


FIG. 3