



US00D359112S

United States Patent [19]

[11] Patent Number: **Des. 359,112**

Mark et al.

[45] Date of Patent: **** Jun. 6, 1995**

[54] **KITCHEN FAUCET WITH LEVER HANDLE**

D. 290,492 6/1987 Hill et al. D23/238
4,804,010 2/1989 Meissenberg 4/675 X

[75] Inventors: **Darren M. Mark**, Castaic; **Hollis K. Yost**, Santa Monica, both of Calif.

Primary Examiner—A. Hugo Word
Assistant Examiner—E. Watterson
Attorney, Agent, or Firm—J. Bruce Hoofnagle

[73] Assignee: **Emhart Inc.**, Newark, Del.

[**] Term: **14 Years**

[57] **CLAIM**

[21] Appl. No.: **27,410**

The ornamental design for kitchen faucet with lever handle, as shown and described.

[22] Filed: **Aug. 17, 1994**

DESCRIPTION

Related U.S. Application Data

[63] Continuation of Ser. No. 914,069, Jul. 16, 1992, abandoned.

FIG. 1 is a front view of my new design of a kitchen faucet with lever handle;

[52] U.S. Cl. **D23/238**

FIG. 2 is a rear view of my new design of the kitchen faucet with lever handle;

[58] Field of Search **D23/238-243, D23/255-258; 4/675-678; 137/801**

FIG. 3 is a left side view of my new design of the kitchen faucet with lever handle, a right side view being a mirror image thereof;

[56] **References Cited**

U.S. PATENT DOCUMENTS

D. 203,246 12/1965 Harvey et al. D23/238
D. 219,779 1/1971 Tiller D23/238

FIG. 4 is a top view of my new design of the kitchen faucet with lever handle; and,

FIG. 5 is a bottom view of my new design of the kitchen faucet with lever handle.

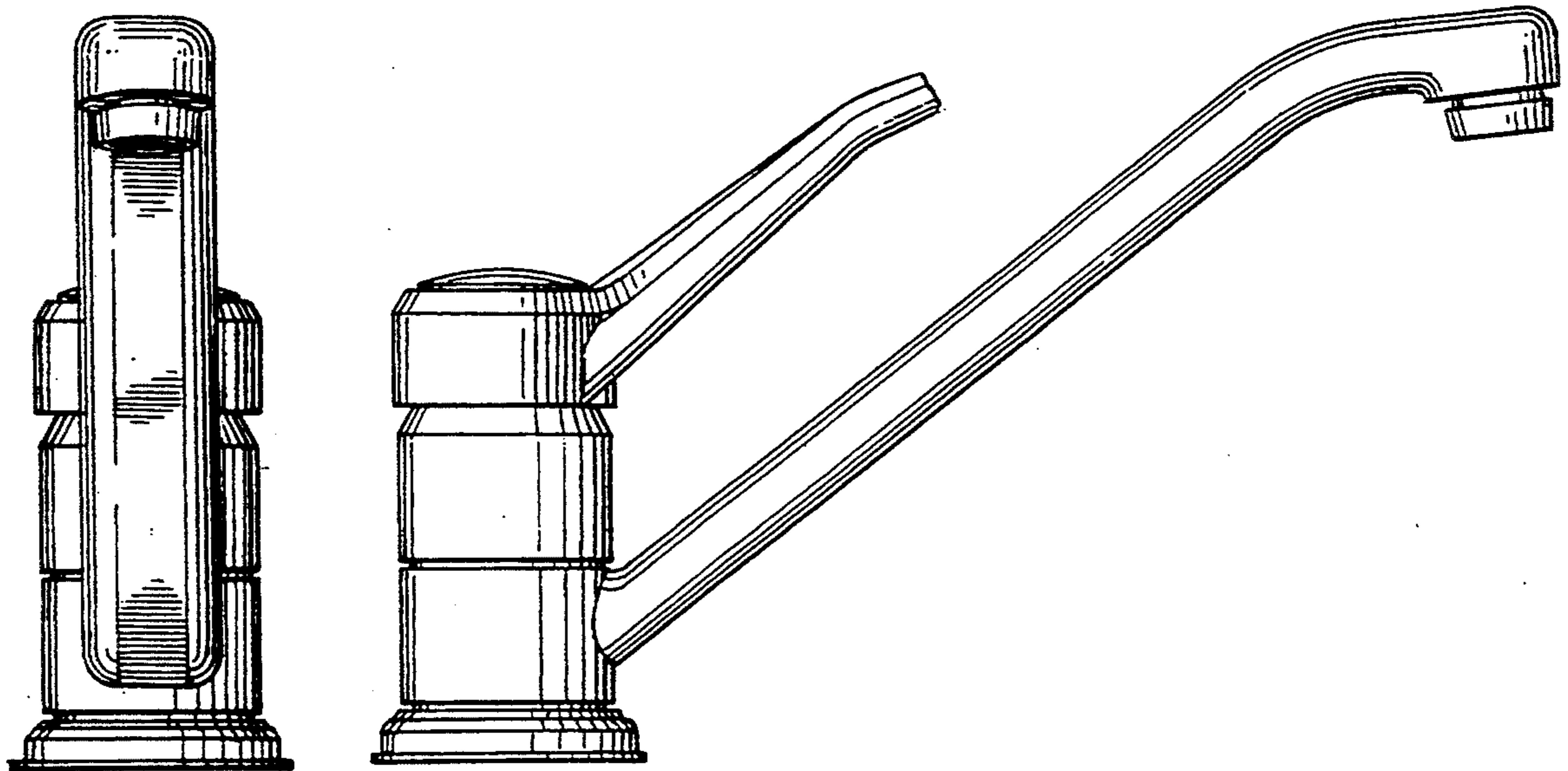


Fig. 1

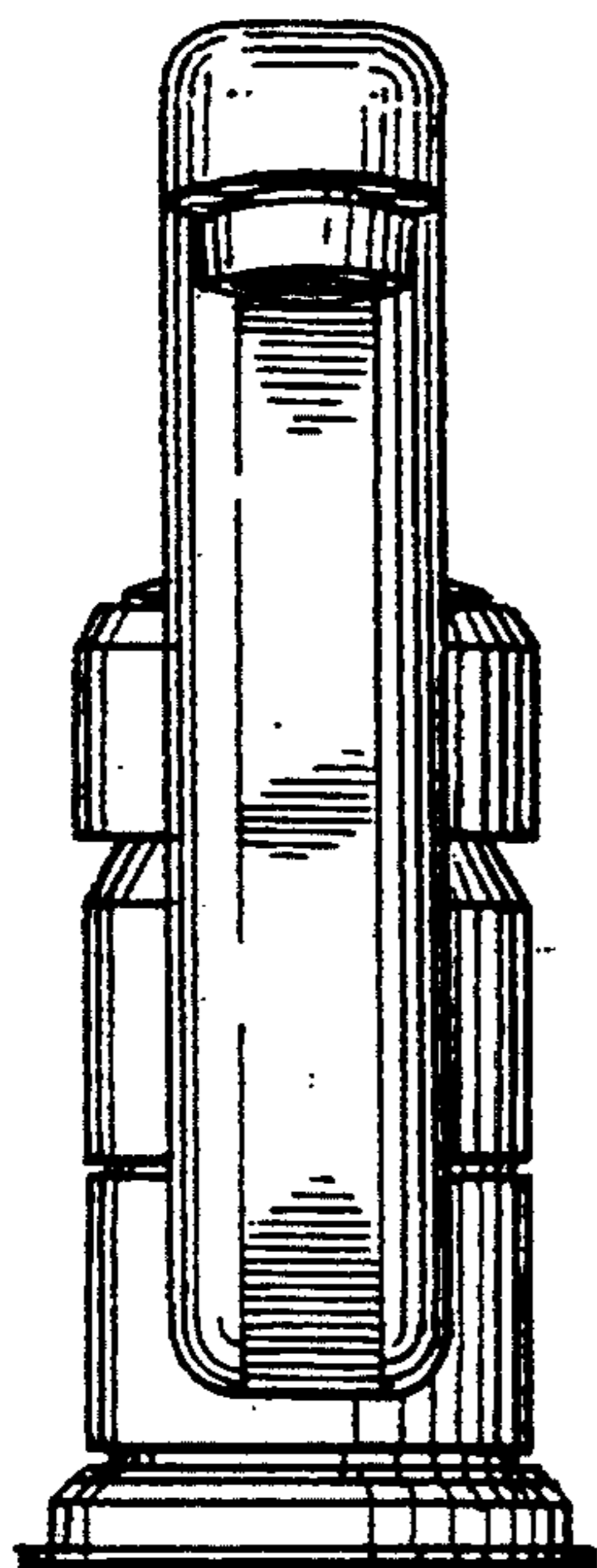


Fig. 2

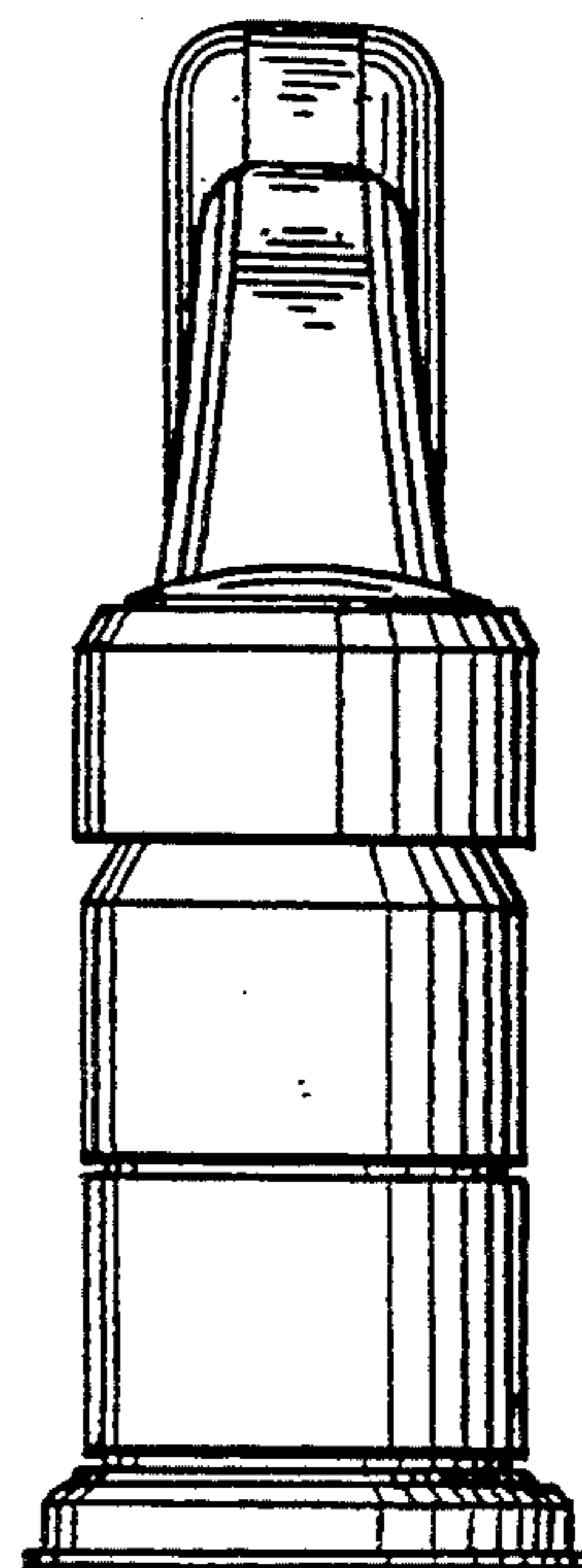


Fig. 3

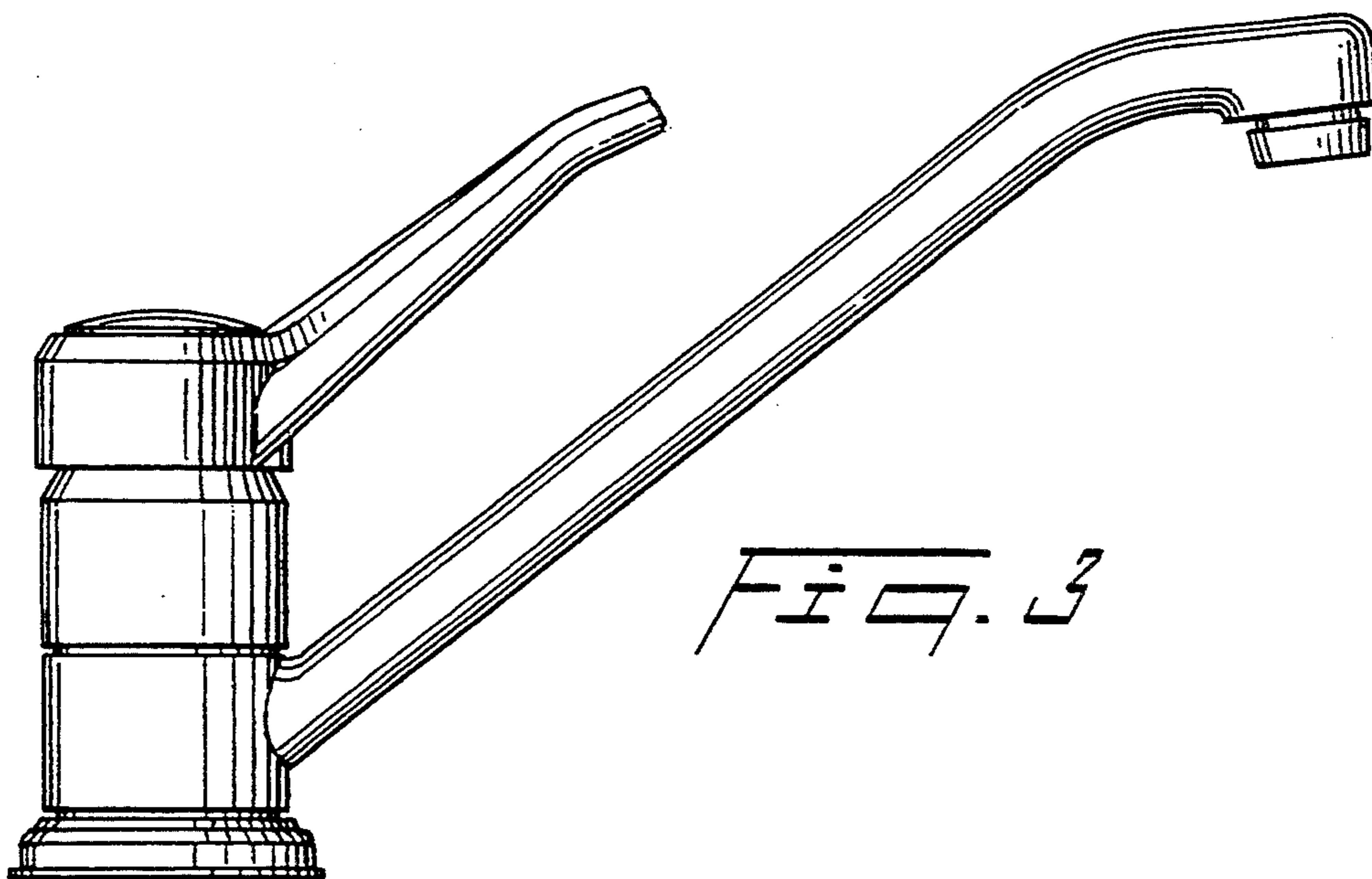


FIG. 4

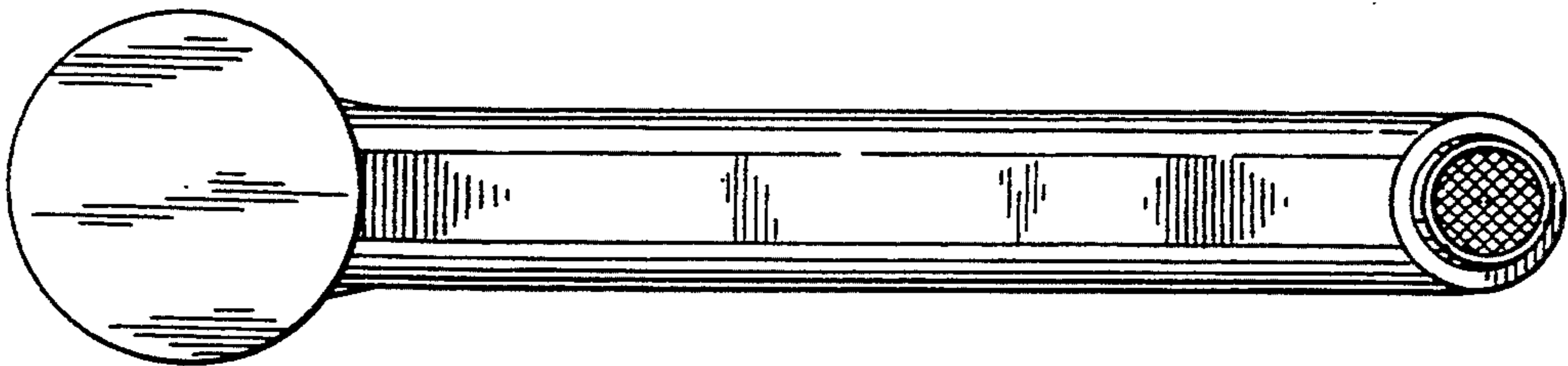
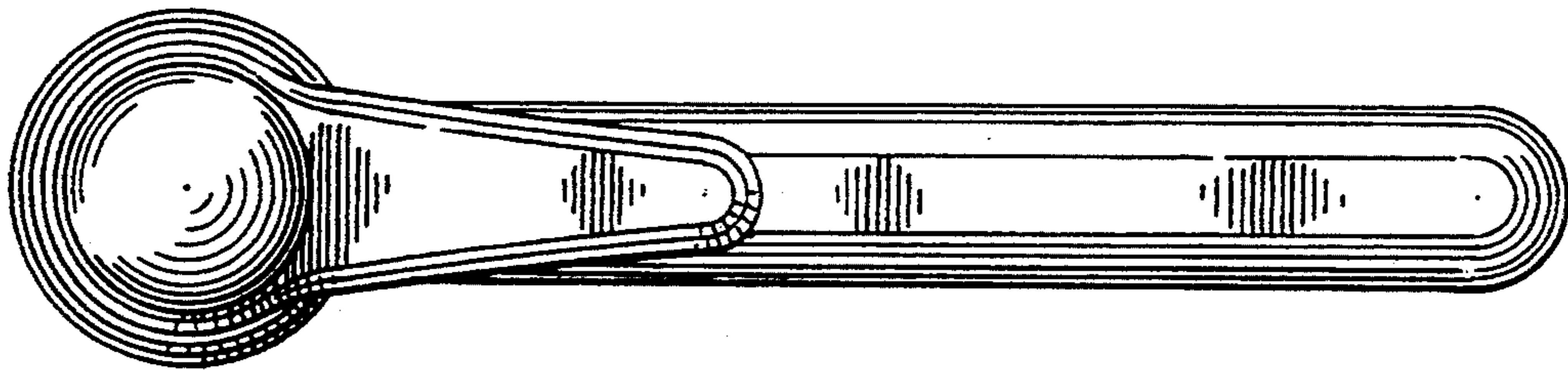


FIG. 5