



US00D359106S

# United States Patent [19]

[11] Patent Number: **Des. 359,106**

Vestergaard

[45] Date of Patent: **\*\* Jun. 6, 1995**

[54] **THERMOSTATIC EXPANSION VALVE FOR REFRIGERATING PLANTS**

5,026,022 6/1991 Bastle ..... 62/225 X  
5,269,459 12/1993 Thompson et al. .... 236/92 B

[75] Inventor: **Anders Vestergaard, Sydals, Denmark**

*Primary Examiner*—A. Hugo Word  
*Assistant Examiner*—Eric Watterson  
*Attorney, Agent, or Firm*—Lee, Mann, Smith, McWilliams, Sweeney & Ohlson

[73] Assignee: **Danfoss A/S, Nordborg, Denmark**

[\*\*] Term: **14 Years**

[57] **CLAIM**

[21] Appl. No.: **19,112**

The ornamental design for a thermostatic expansion valve for refrigerating plants, as shown and described.

[22] Filed: **Feb. 23, 1994**

**DESCRIPTION**

[30] **Foreign Application Priority Data**

Aug. 23, 1993 [DE] Germany ..... M 93 06 710.0

[52] U.S. Cl. .... **D23/233**

[58] Field of Search ..... **D23/233-237; 62/225; 236/92 B; 251/285, 61.4, 84**

FIG. 1 is a perspective view of a thermostatic expansion valve for refrigerating plants according to my invention;

FIG. 2 is a perspective view opposite to that of FIG. 1;

FIG. 3 is a top plan view thereof;

FIG. 4 is a bottom plan view thereof;

FIG. 5 is a front elevational view thereof;

FIG. 6 is a rear elevational view thereof;

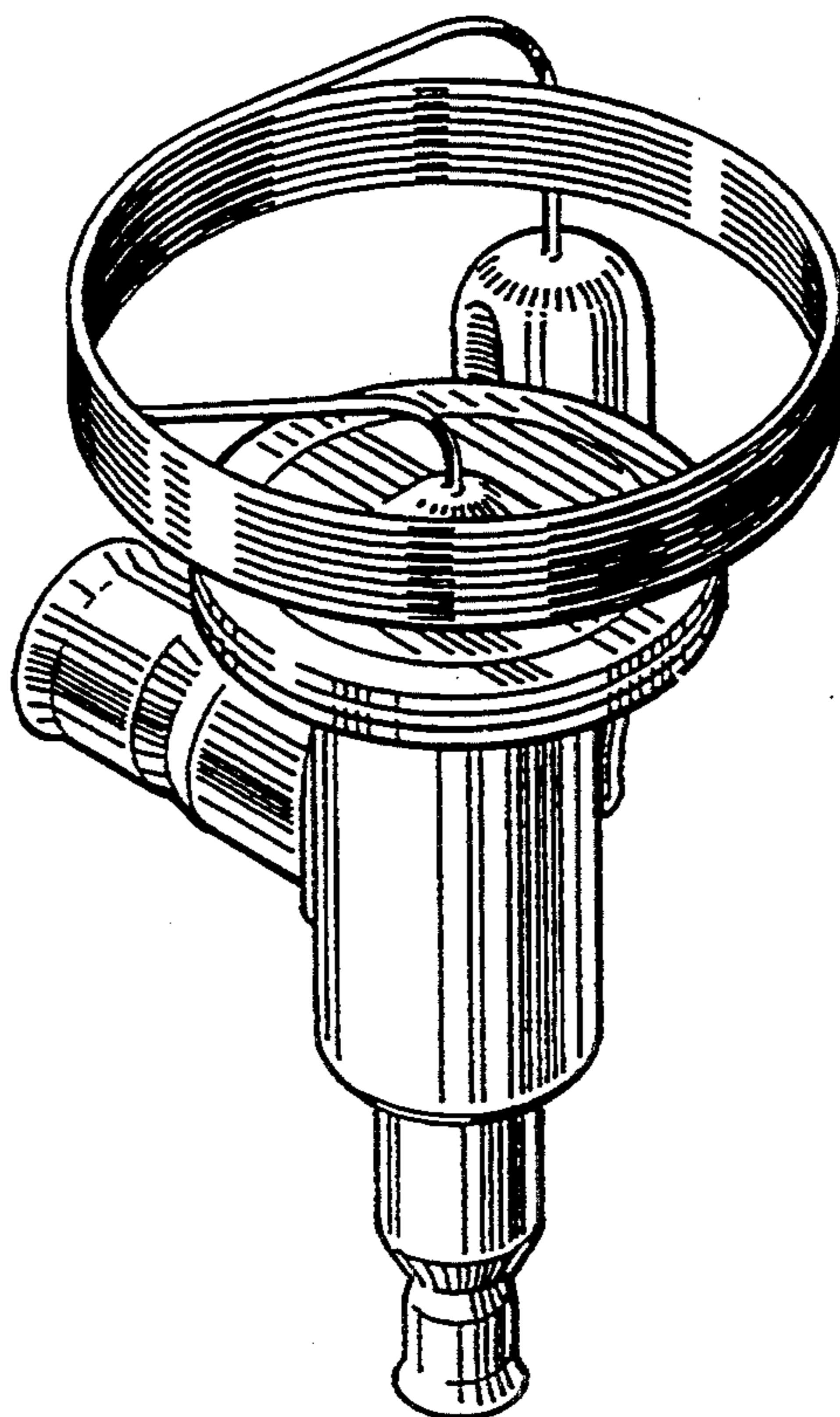
FIG. 7 is a side elevational view thereof; and,

FIG. 8 is a side elevational view thereof opposite to FIG. 7.

[56] **References Cited**

**U.S. PATENT DOCUMENTS**

2,231,163 2/1941 Johnson ..... D23/233 X  
3,279,778 10/1966 Jespersen ..... 62/225 X



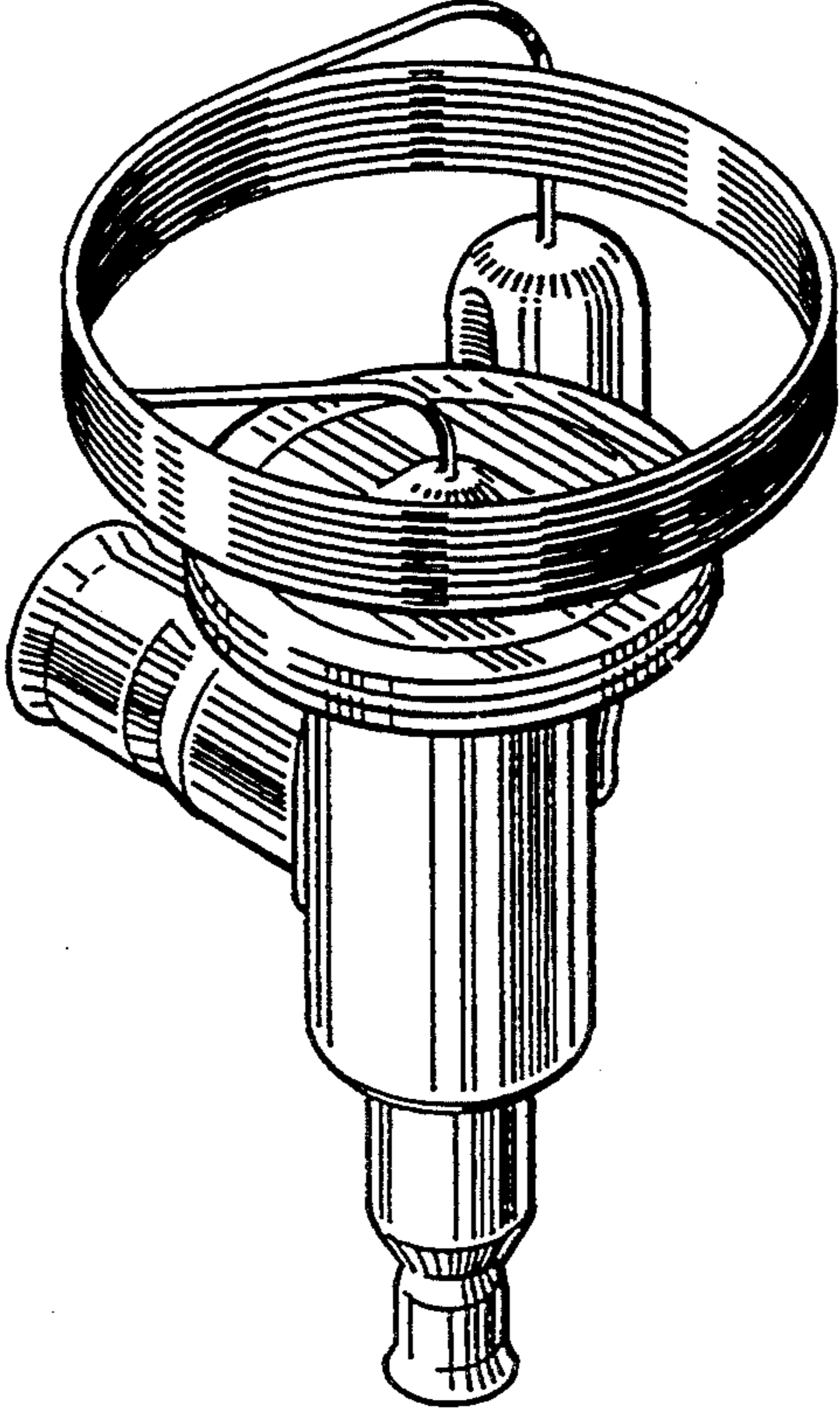


FIGURE 1

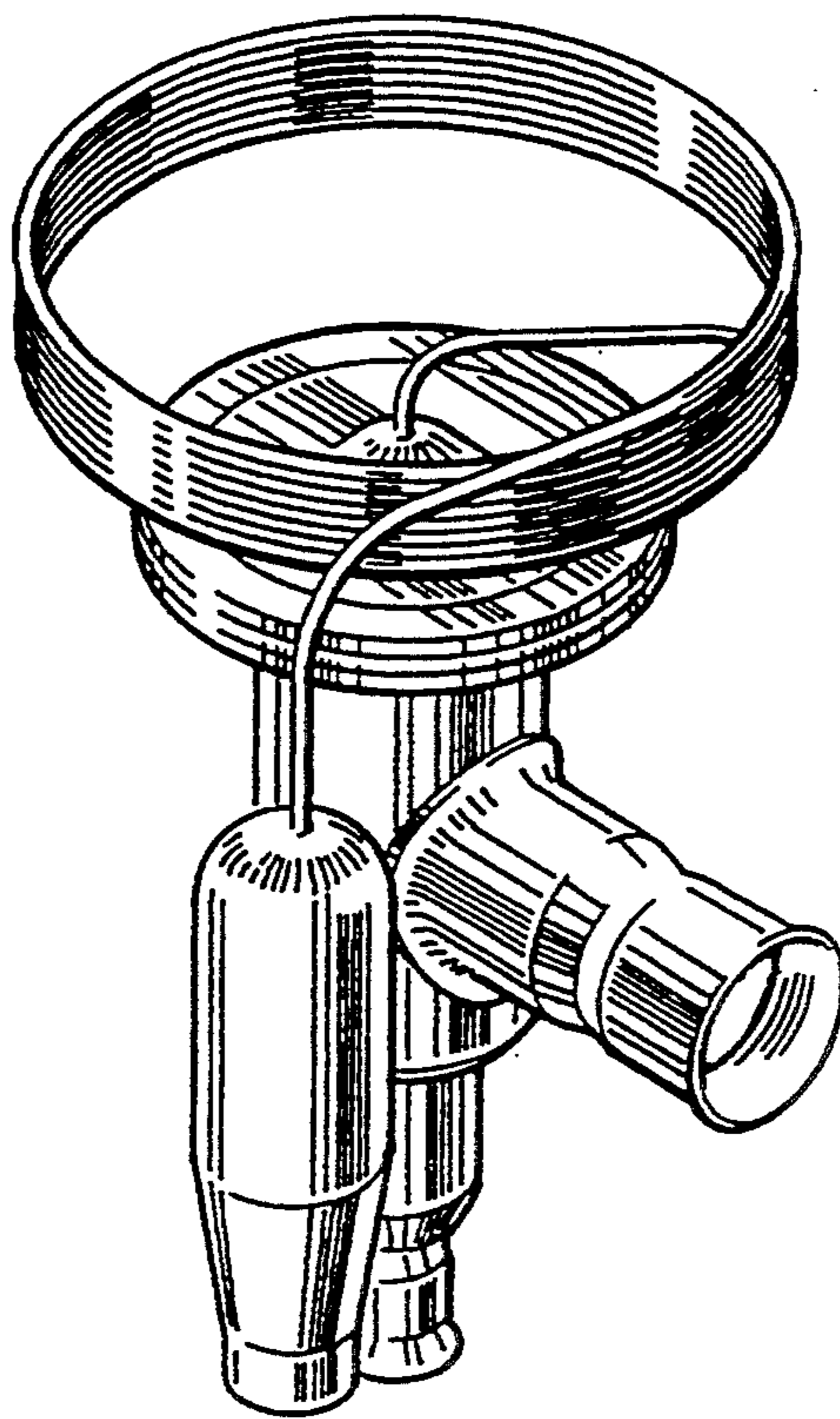


Figure 2

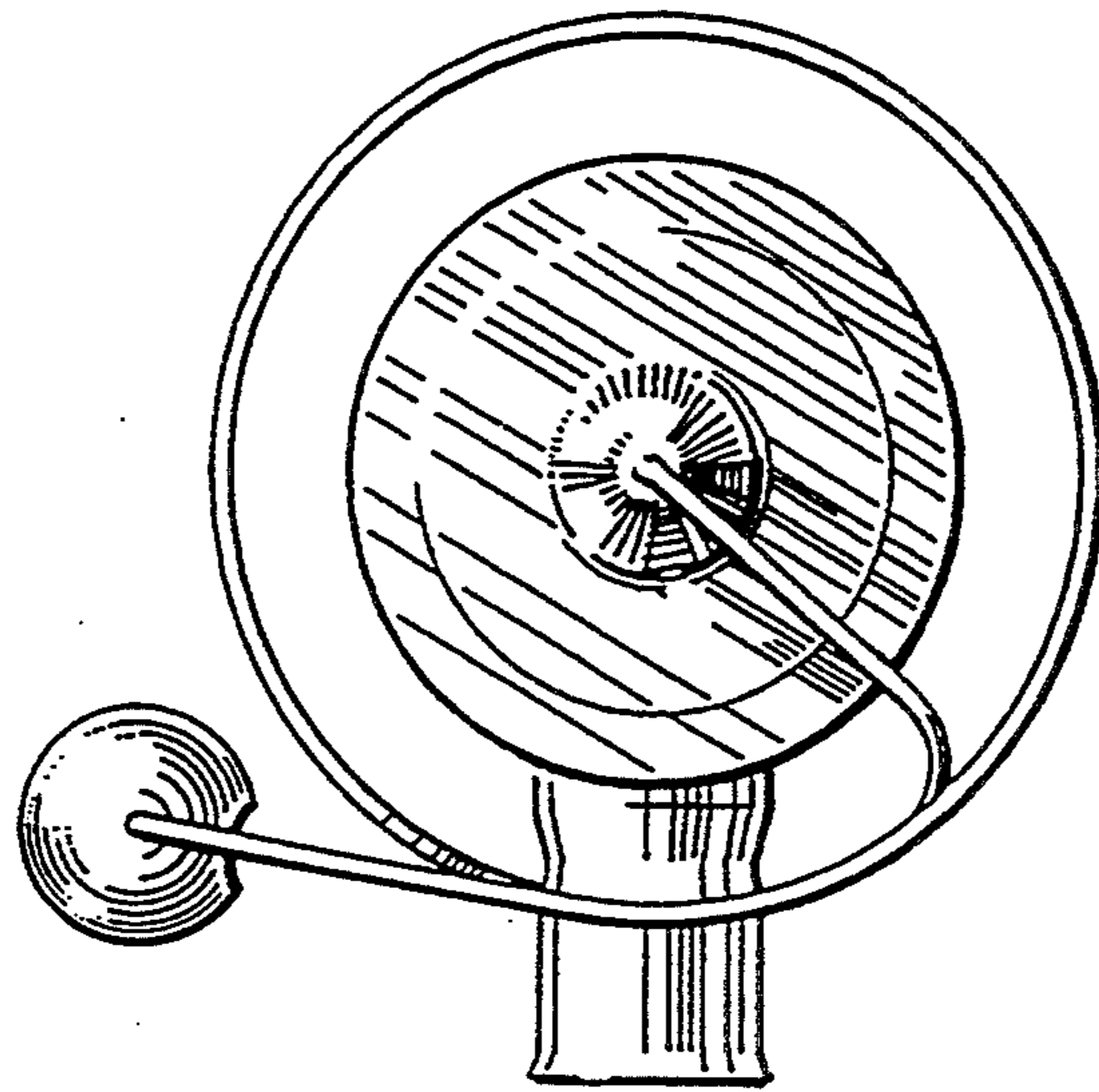


FIGURE 3

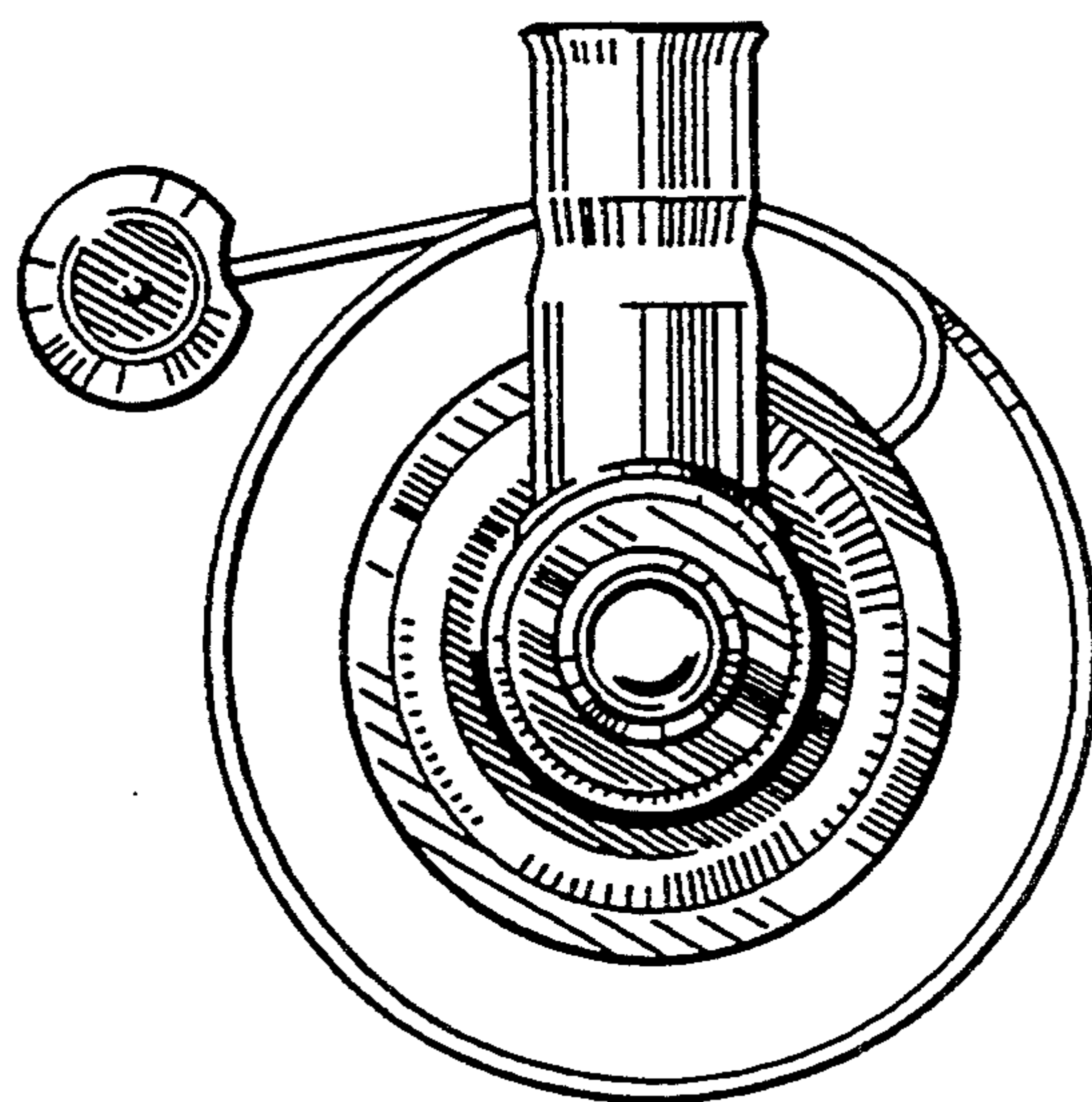


Figure 4



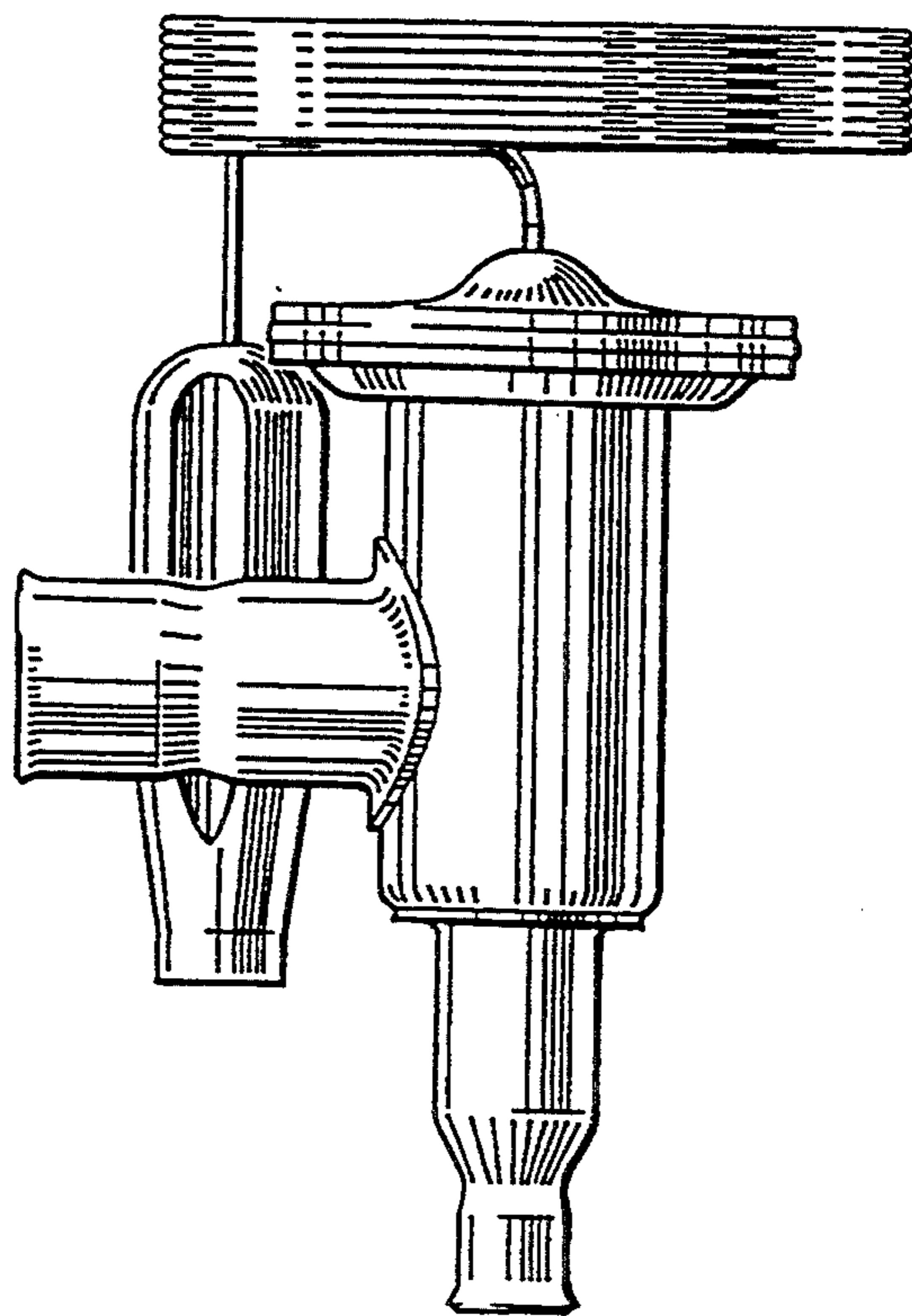


FIGURE 5

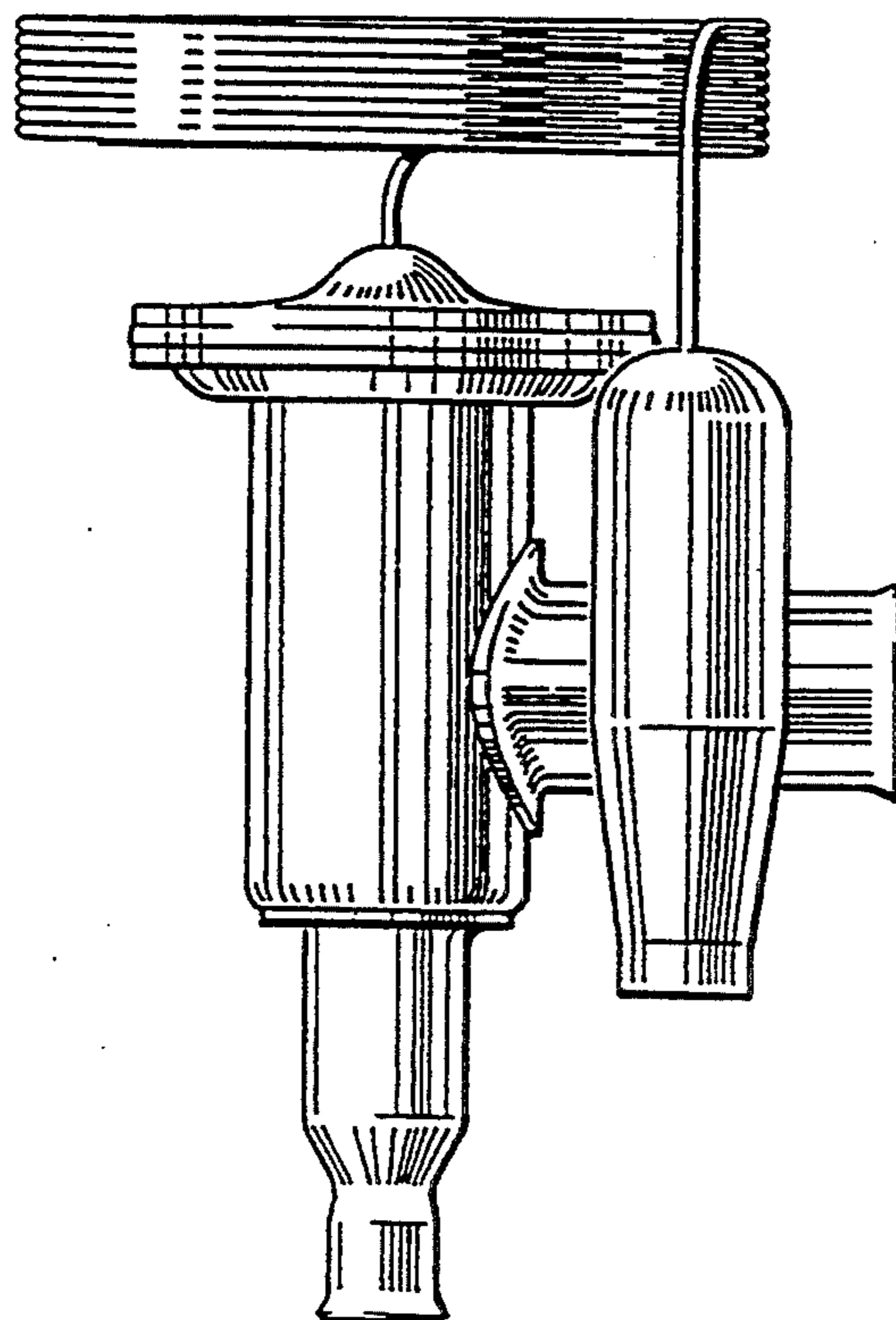


FIGURE 6

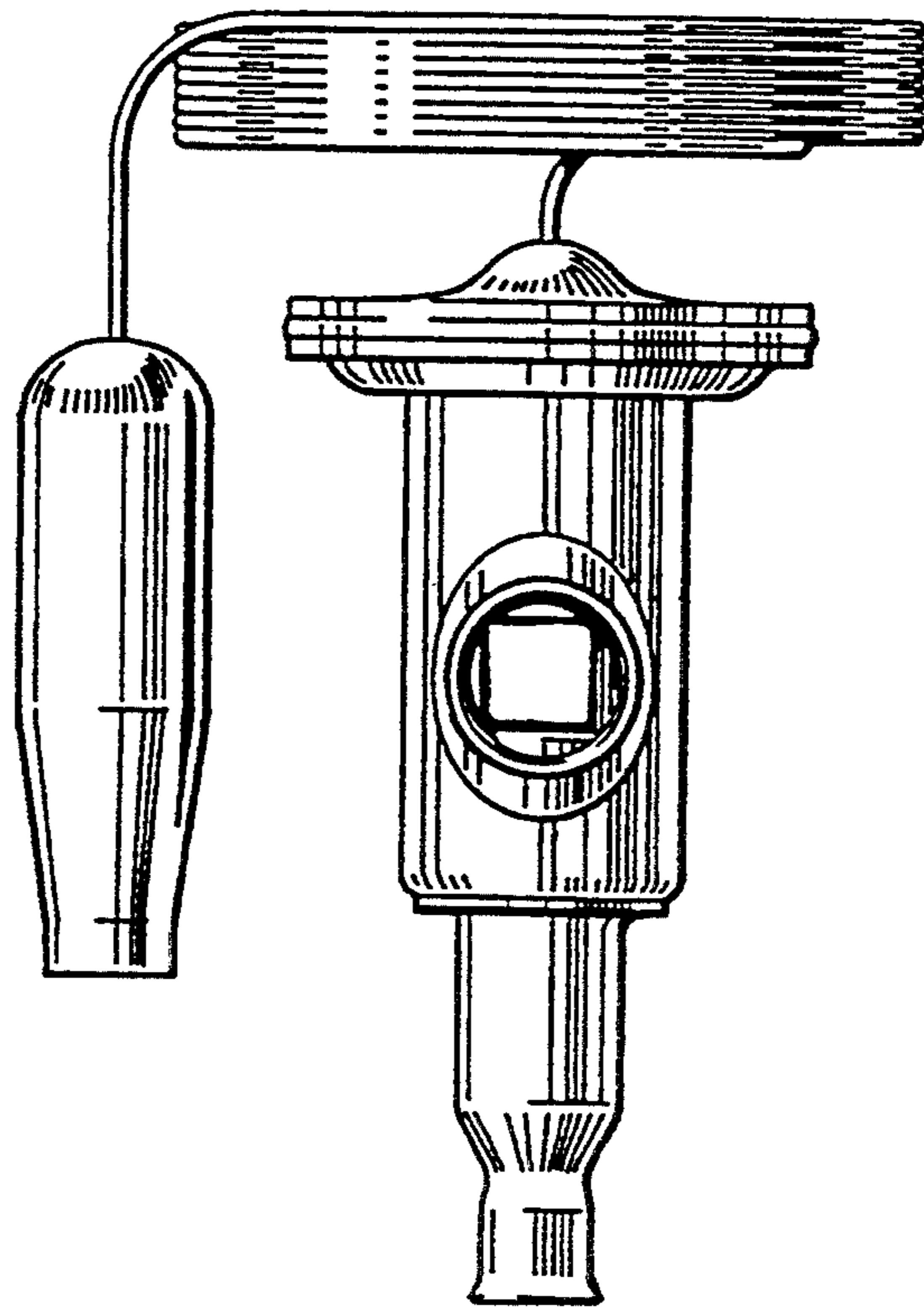


Figure 7



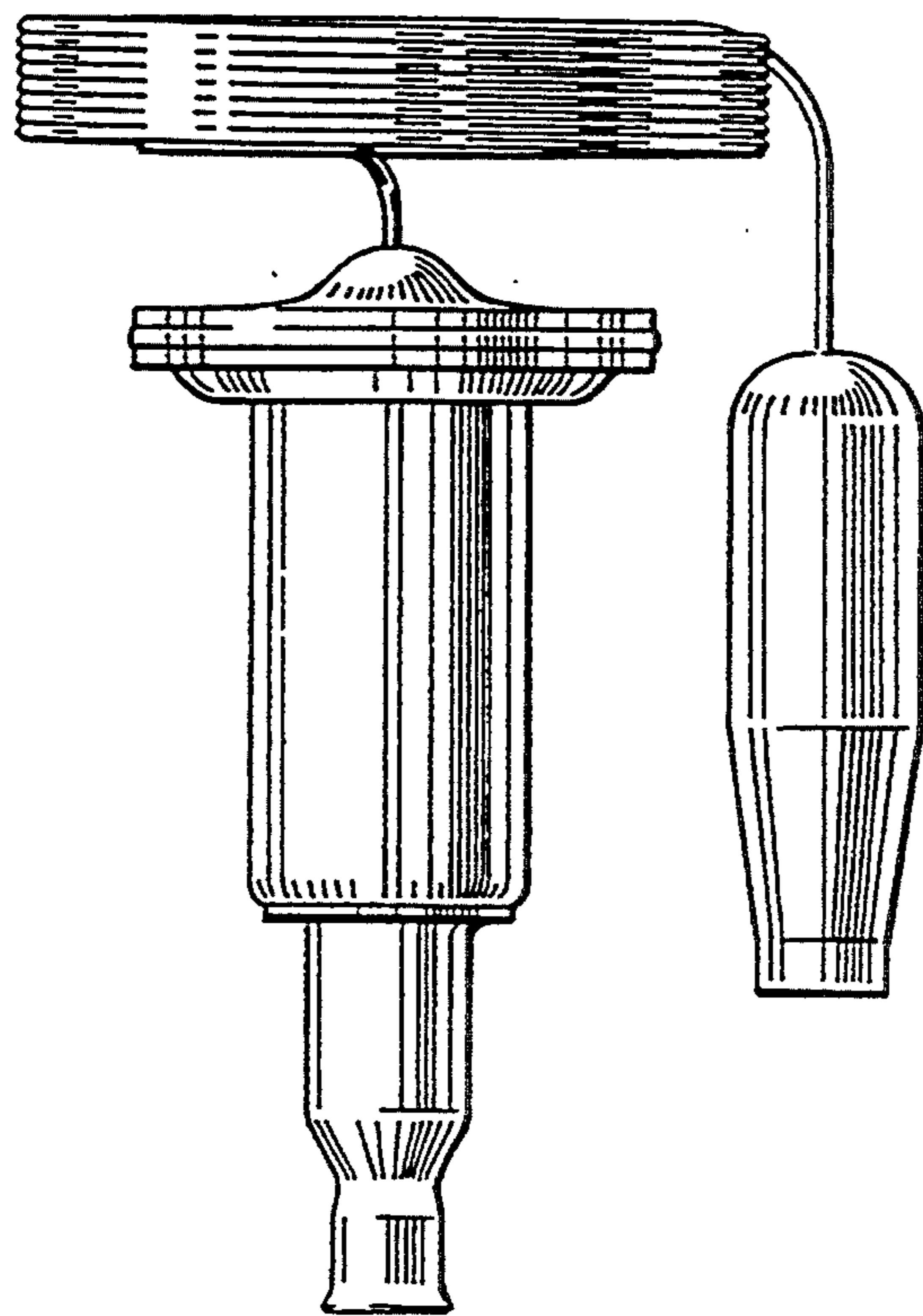


FIGURE 8