



US00D359103S

United States Patent [19]

[11] Patent Number: **Des. 359,103**

Bouc et al.

[45] Date of Patent: **** Jun. 6, 1995**

[54] VALVE

4,548,237	10/1985	Bogenschutz	137/625.22
4,665,937	5/1987	Hall	251/317 X
5,141,018	8/1992	Guterman	137/375

[75] Inventors: **Gary L. Bouc**, Decatur; **Robert E. Sands**, Shelbyville; **M. Dale Stanley**, Stonington; **John R. Rice**, Decatur, all of Ill.

Primary Examiner—A. Hugo Word
Assistant Examiner—Eric Watterson
Attorney, Agent, or Firm—Cushman Darby & Cushman

[73] Assignee: **Mueller Co.**, Decatur, Ill.

[57] **CLAIM**

[**] Term: **14 Years**

The ornamental design for a valve, as shown and described.

[21] Appl. No.: **3,820**

[22] Filed: **Jan. 19, 1993**

DESCRIPTION

[52] U.S. Cl. **D23/233**

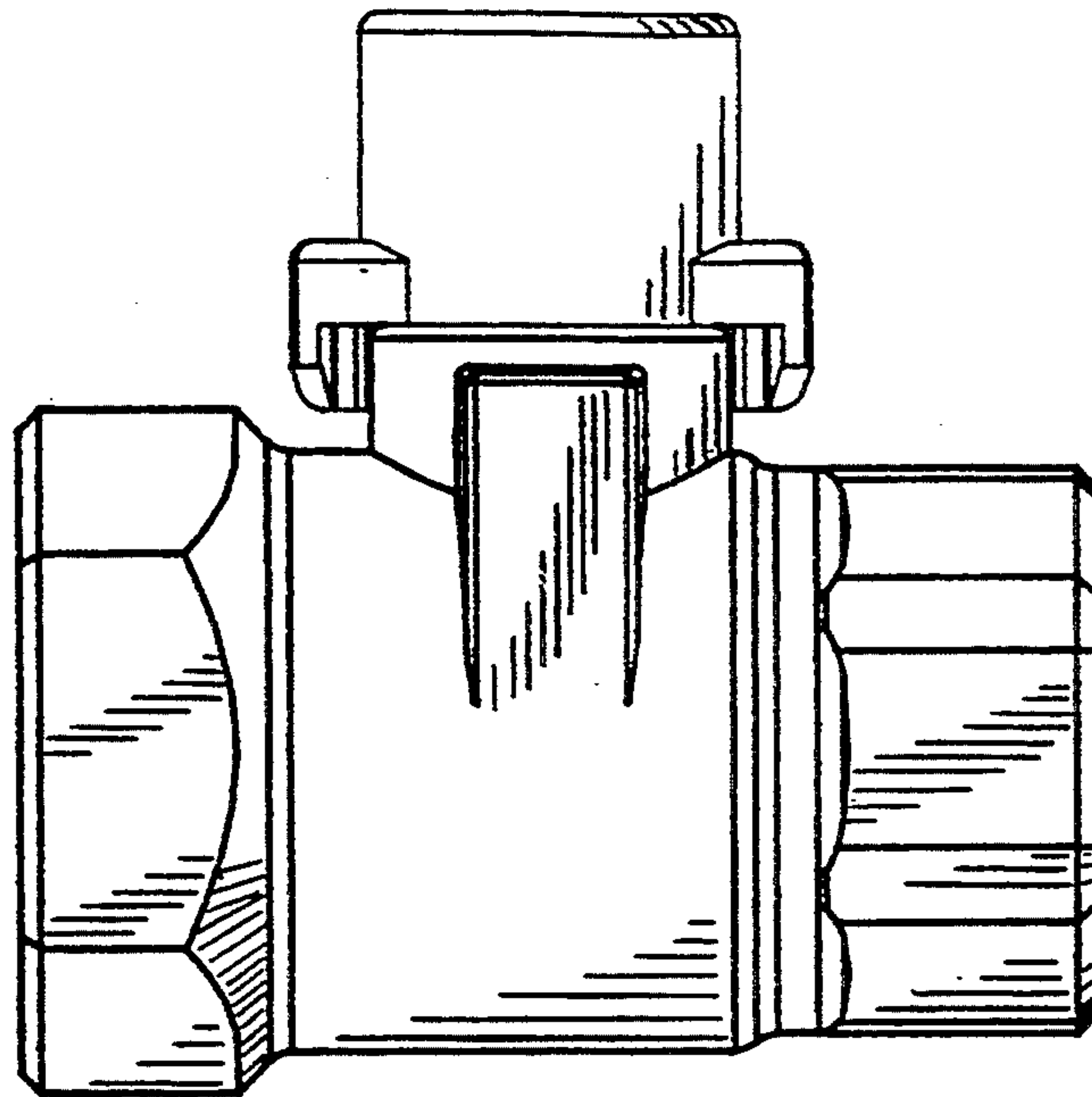
[58] Field of Search **D23/233-237,**
D23/244-249; 137/315, 375, 625.21, 625.22;
251/314, 317, 315 BC, 148, 356

FIG. 1 is a side view in elevation;
FIG. 2 is a bottom, plan view;
FIG. 3 is an end view in elevation;
FIG. 4 is a top, plan view;
FIG. 5 is an side view of the side opposite to that shown in FIG. 1; and,
FIG. 6 is a end view of the end opposite to that shown in FIG. 3.

[56] **References Cited**

U.S. PATENT DOCUMENTS

4,125,128 11/1978 Elward et al. 137/625.22



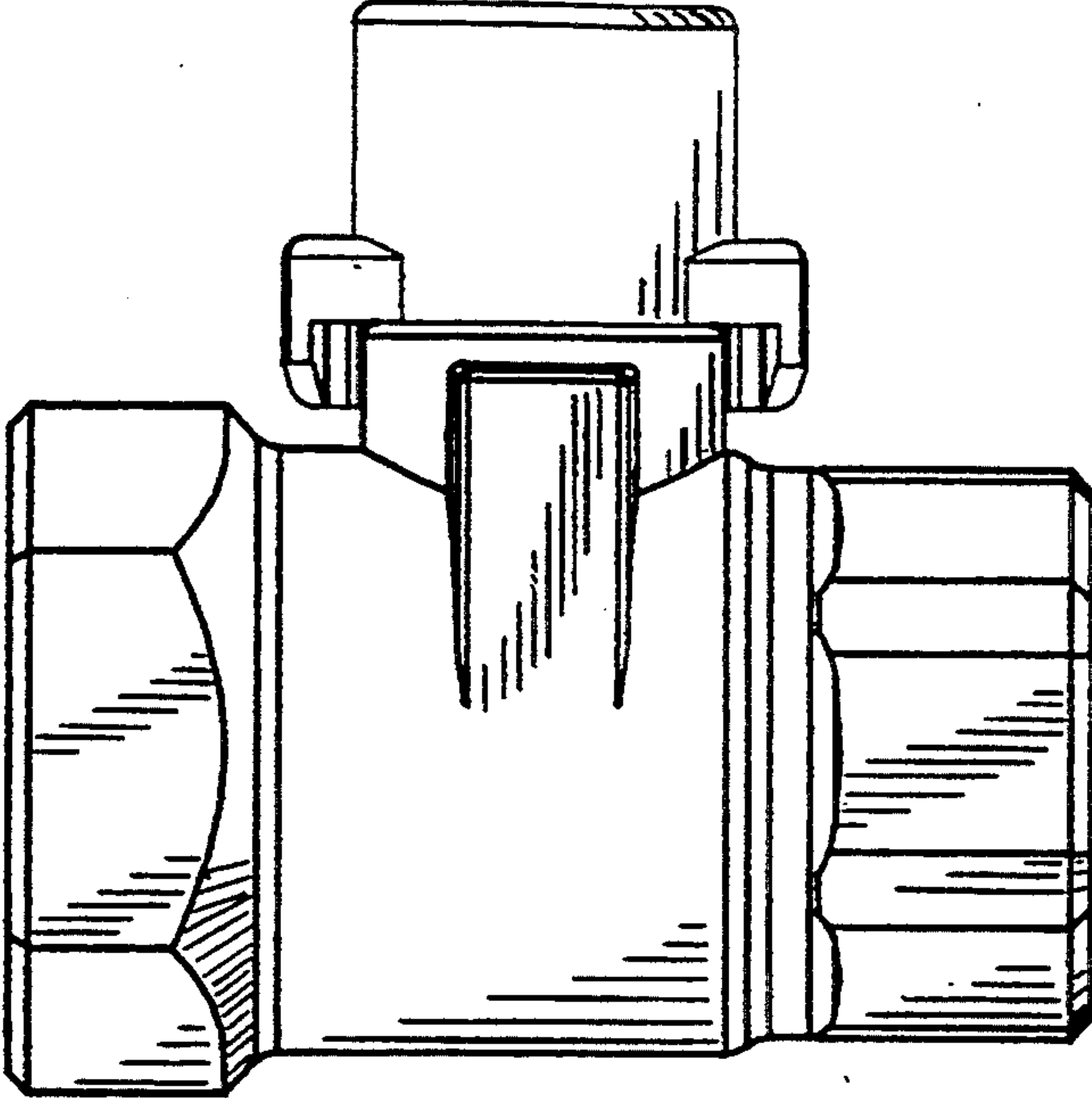


Fig. 1

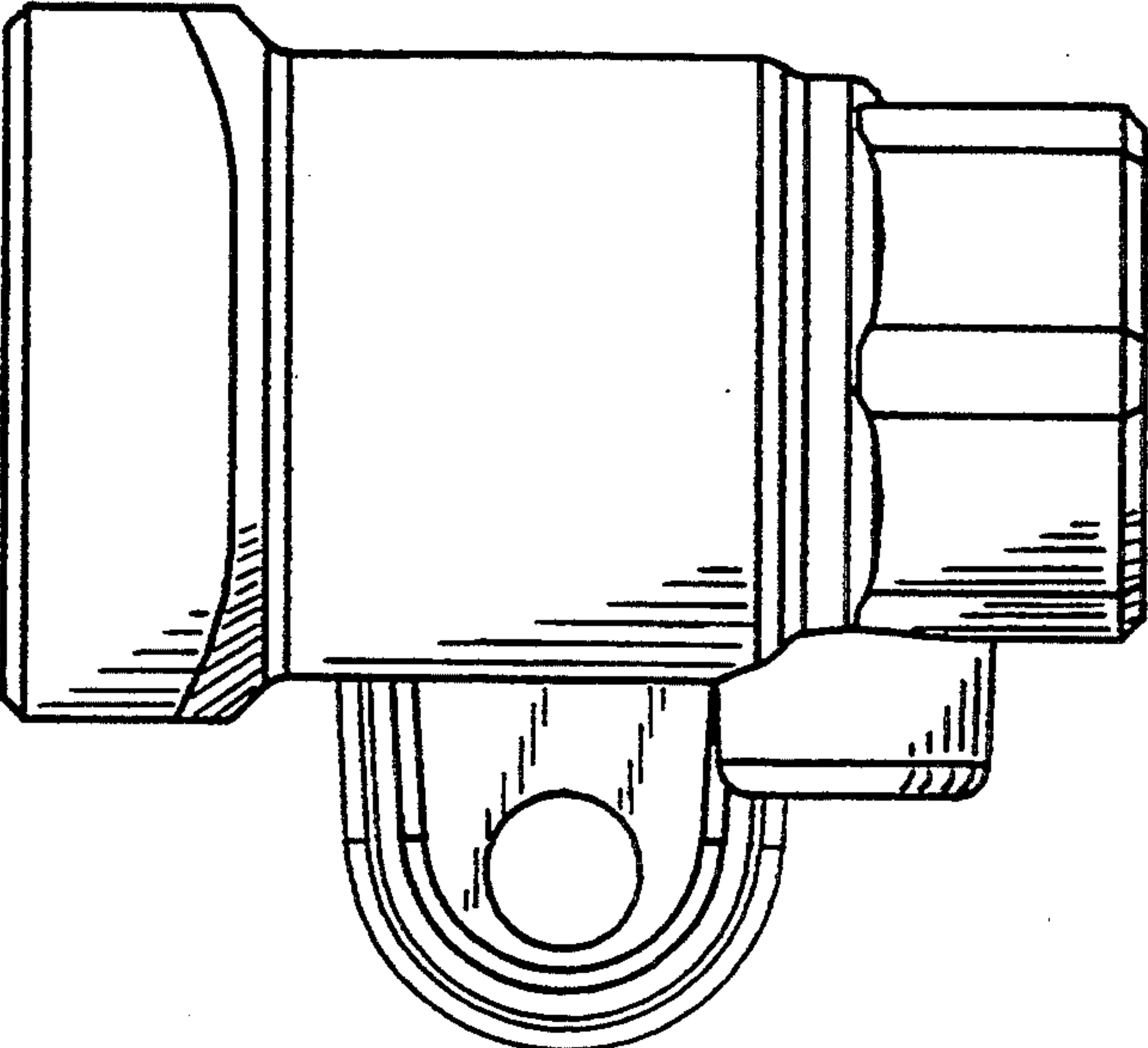


Fig. 2

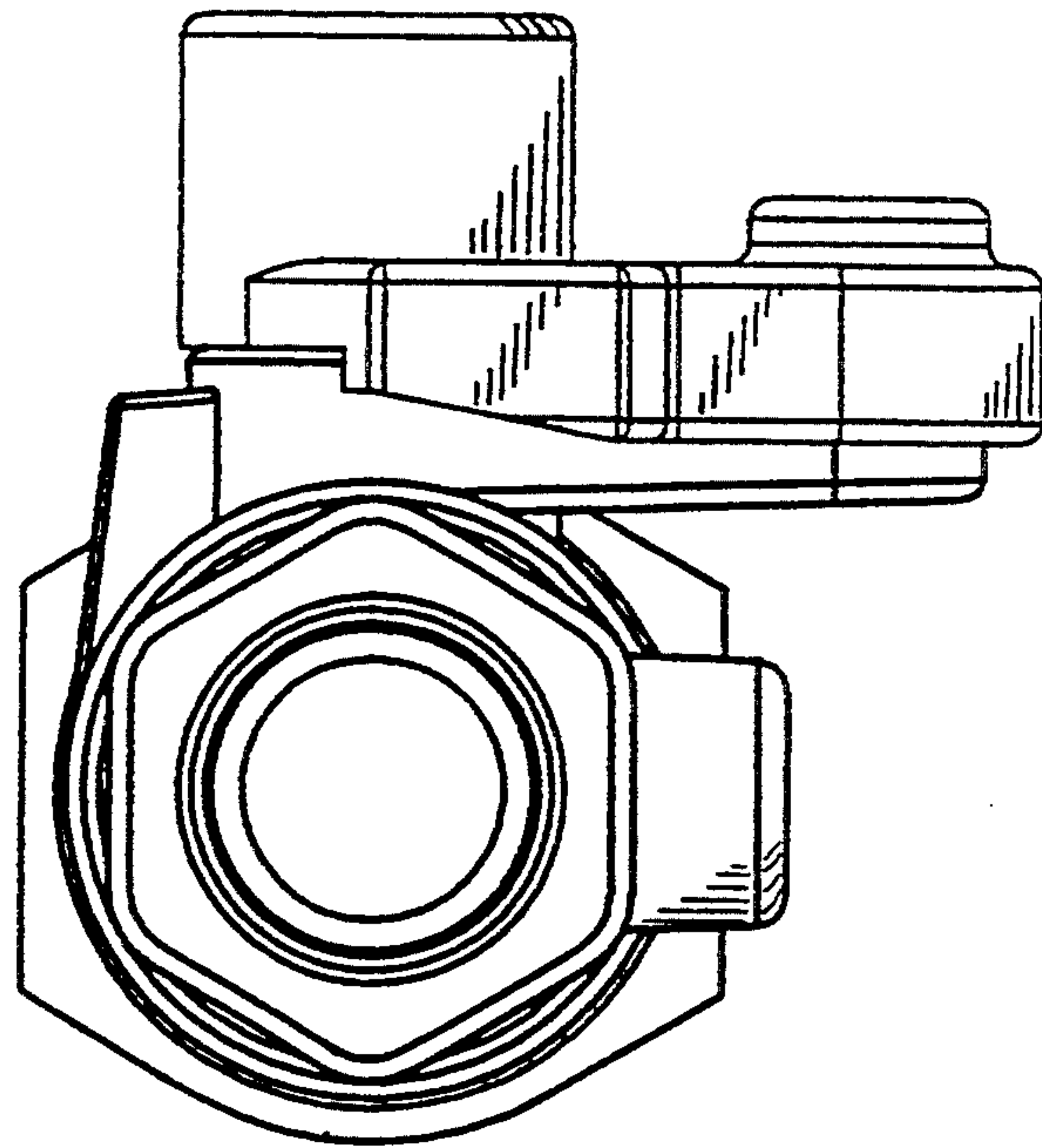


Fig. 3

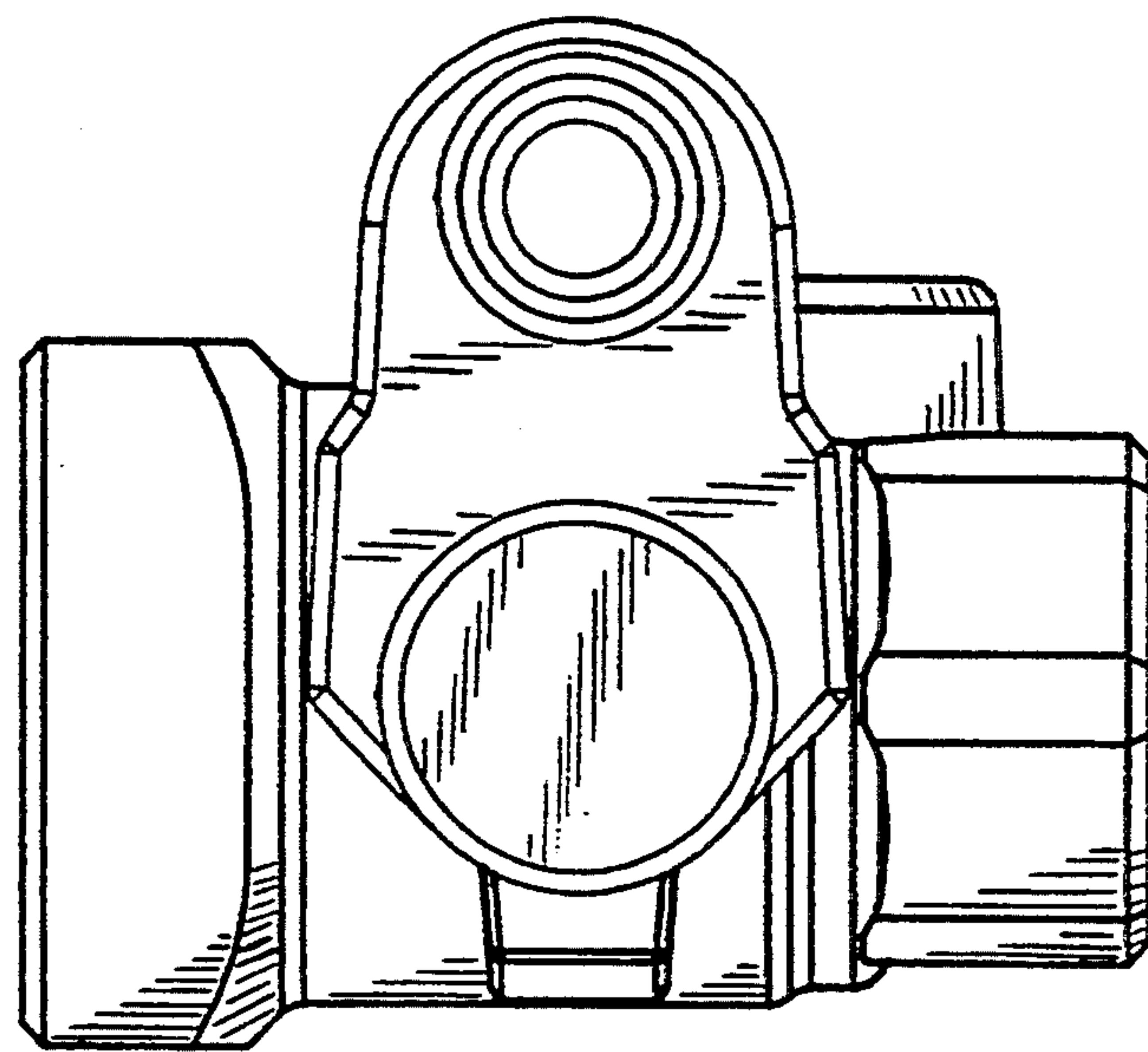


Fig. 4

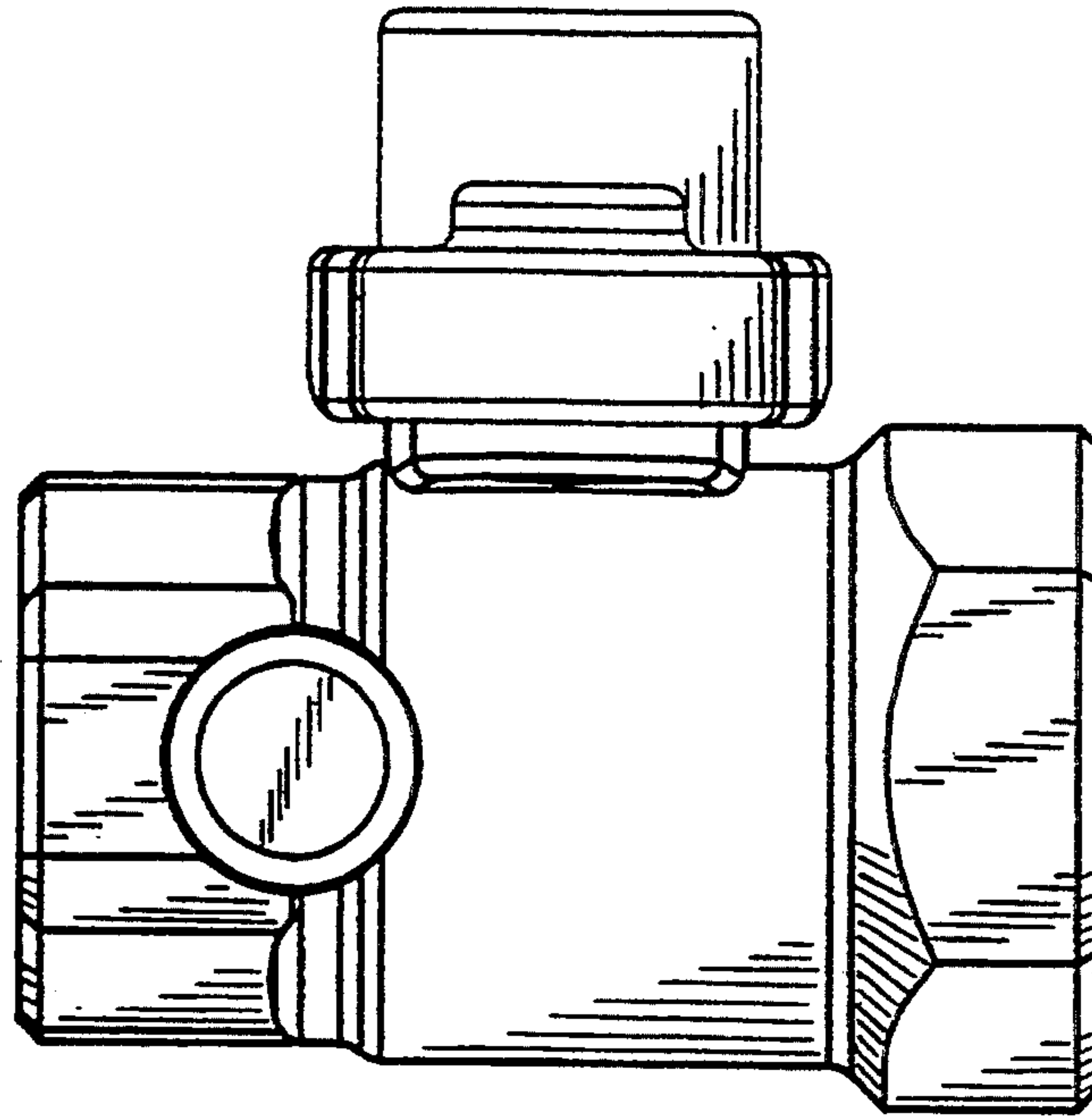


Fig. 5

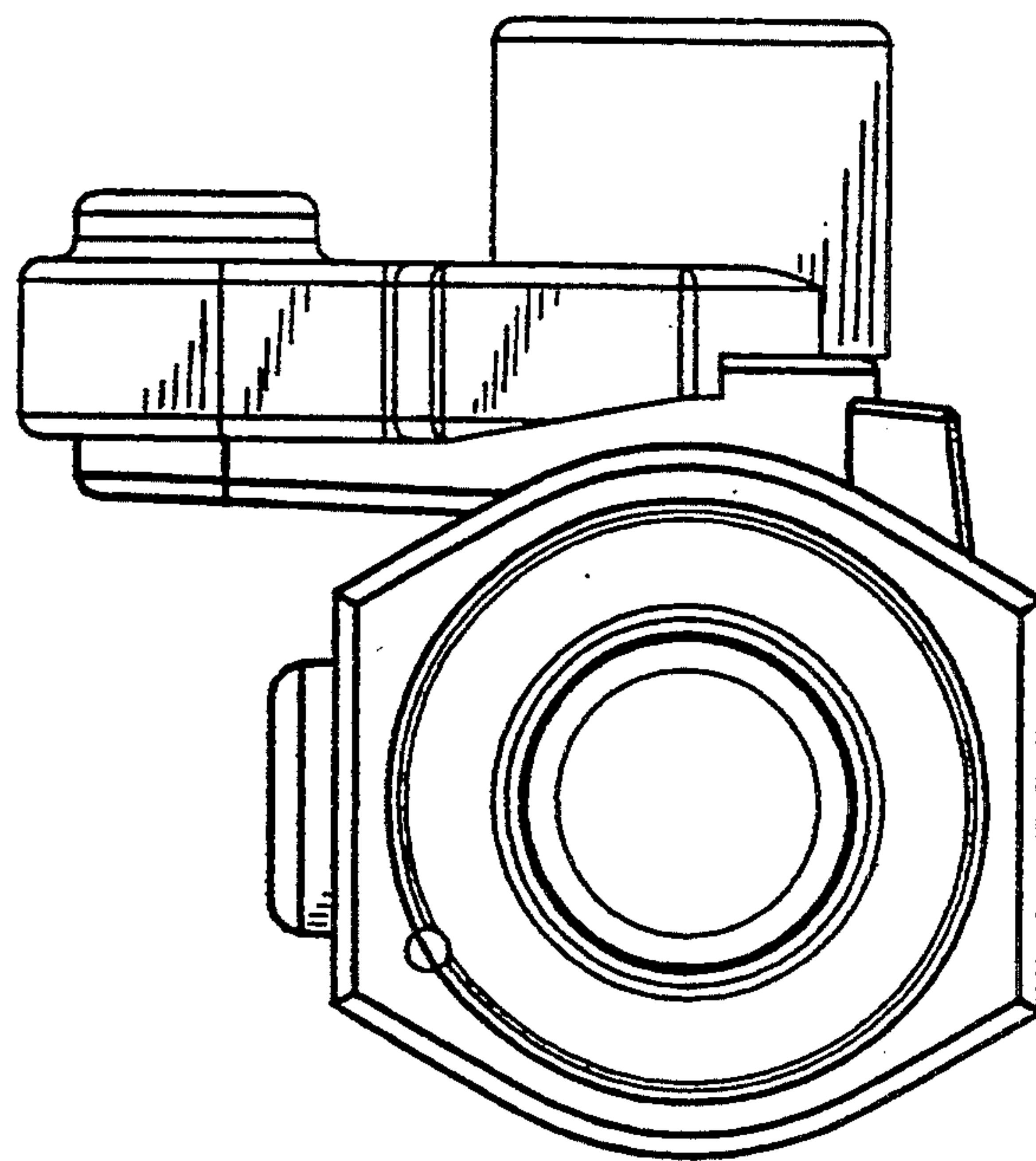


Fig. 6