



US00D359095S

United States Patent [19]

[11] Patent Number: **Des. 359,095**

John

[45] Date of Patent: **** Jun. 6, 1995**

[54] V-LINE SKATES

5,028,058 7/1991 Olsen 280/11.2

[76] Inventor: **Nigel H. John**, 115-46 209 St.,
Cambria Hts, N.Y. 11411

OTHER PUBLICATIONS

"Ski Flash" Nov. 1978 p. 27 Bottom Middle of Page.

[**] Term: **14 Years**

Primary Examiner—Theodore M. Shooman

[21] Appl. No.: **24,694**

Assistant Examiner—R. Barkai

[22] Filed: **Jun. 20, 1994**

[52] U.S. Cl. **D21/226**

[58] Field of Search **D21/224-227,**
D21/230; 280/11.2, 11.19, 11.22, 11.27, 11.23,
8.09, 8.16

[57] CLAIM

The ornamental design for a V-line skates, as shown and described.

DESCRIPTION

FIG. 1 is a front elevational view of the V-line skates showing my new design;

FIG. 2 is a rear elevational view thereof;

FIG. 3 is a left side elevational view thereof;

FIG. 4 is a right side elevational view thereof;

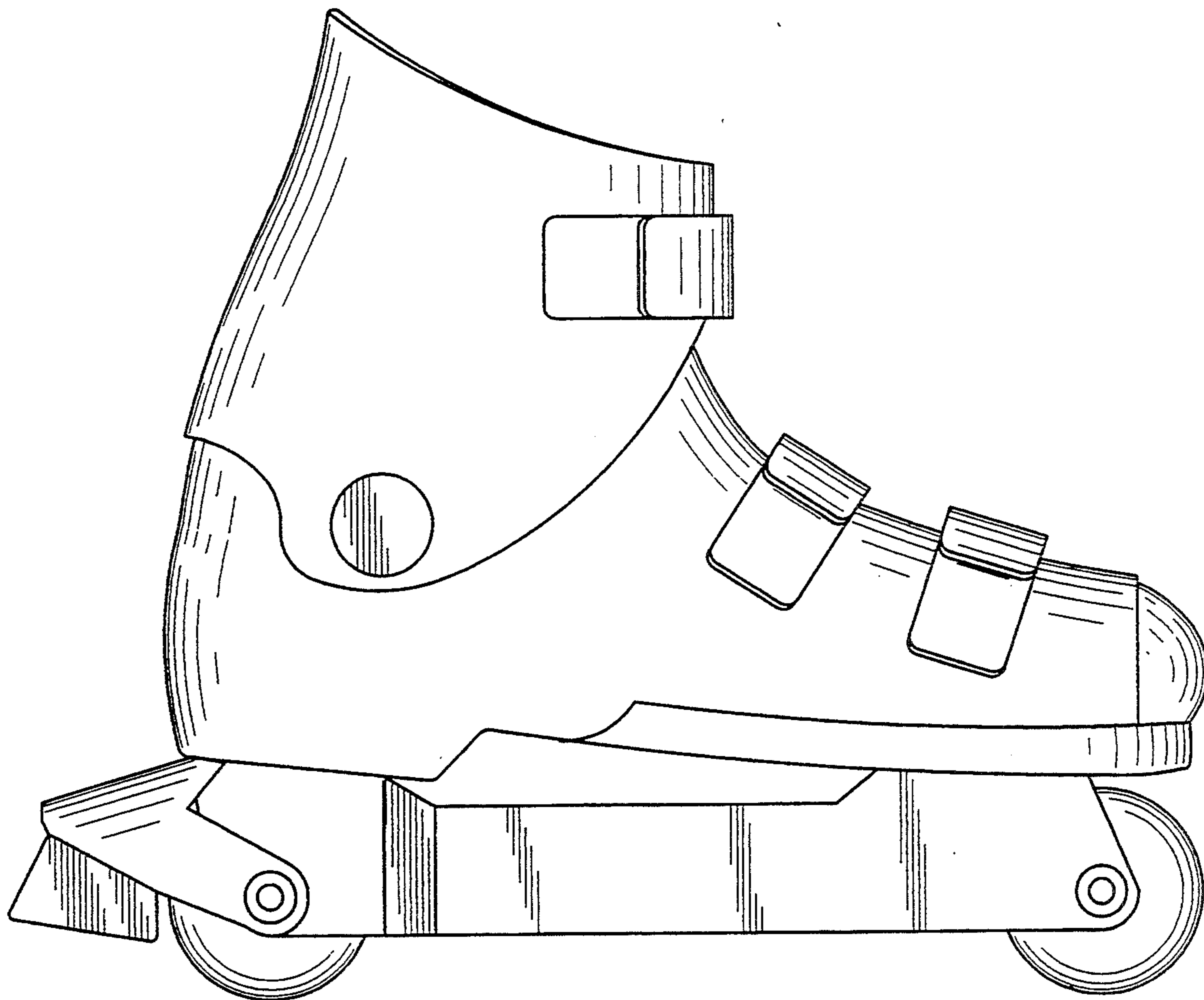
FIG. 5 is a top plan view thereof; and,

FIG. 6 is a bottom plan view thereof.

[56] References Cited

U.S. PATENT DOCUMENTS

D. 226,440	3/1973	Bentley	D21/226
D. 238,803	2/1976	Sessa	D21/226
D. 341,863	11/1993	Cavasin	D21/226
4,523,767	6/1985	Le Page	280/11.19



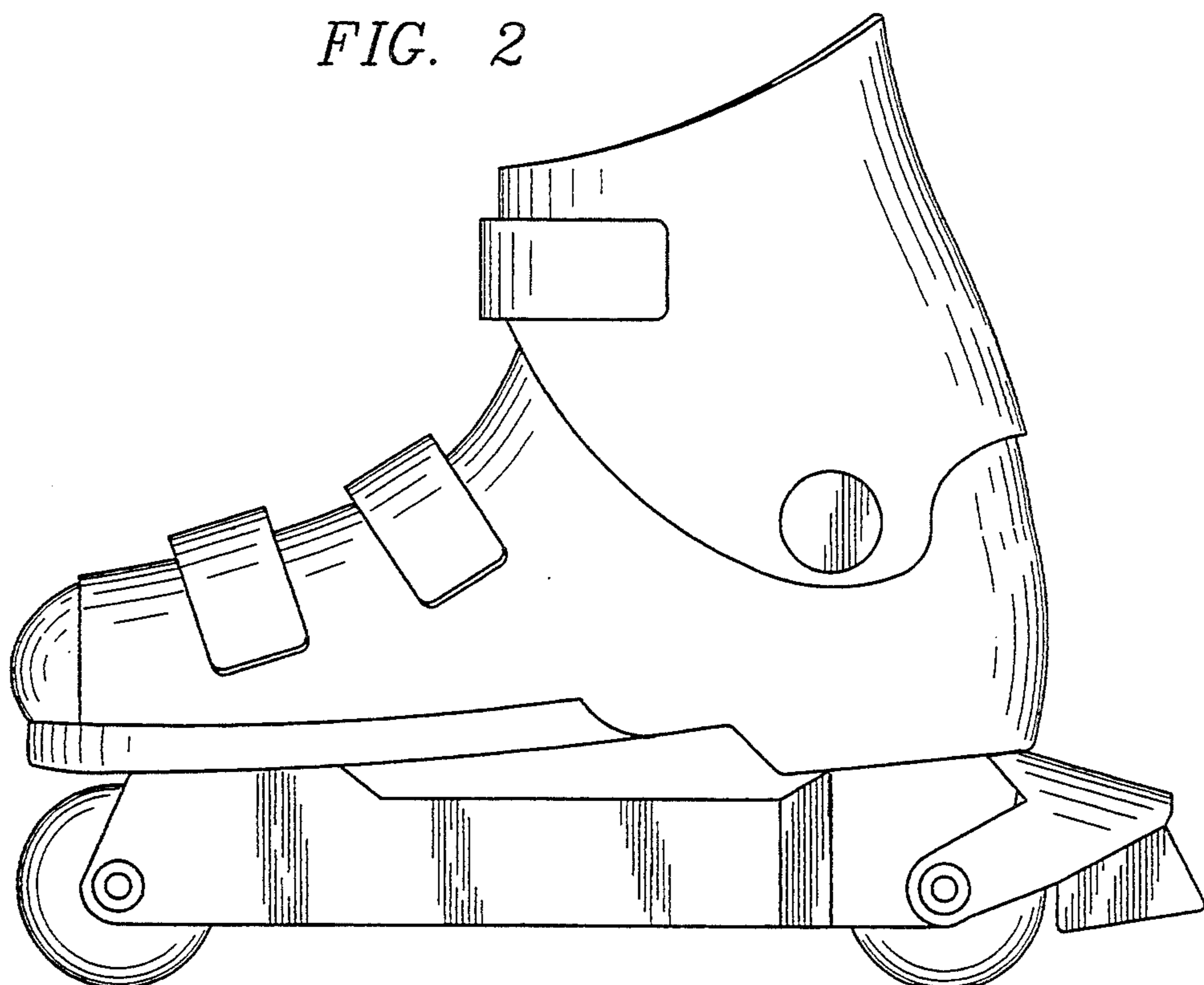
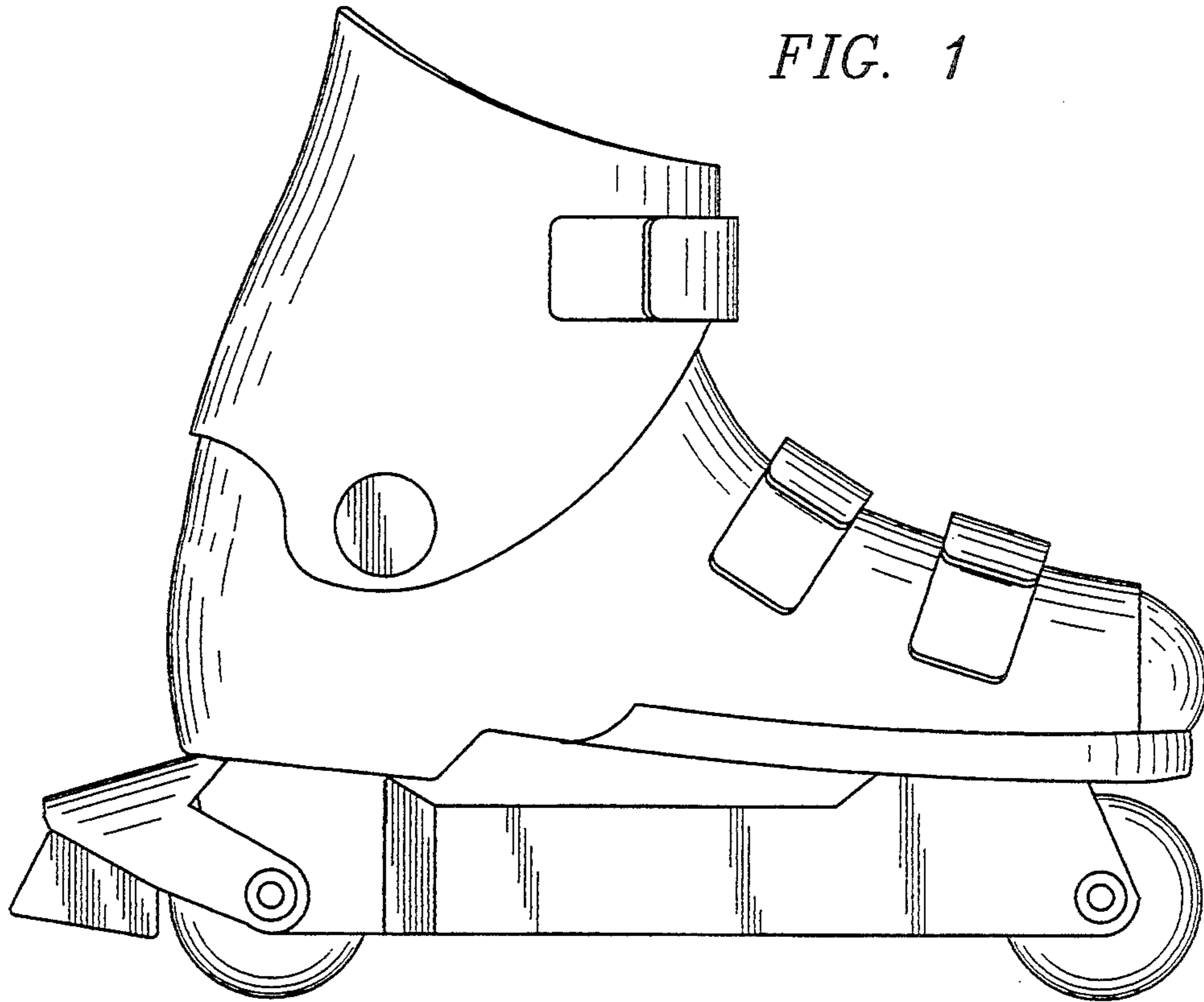


FIG. 3

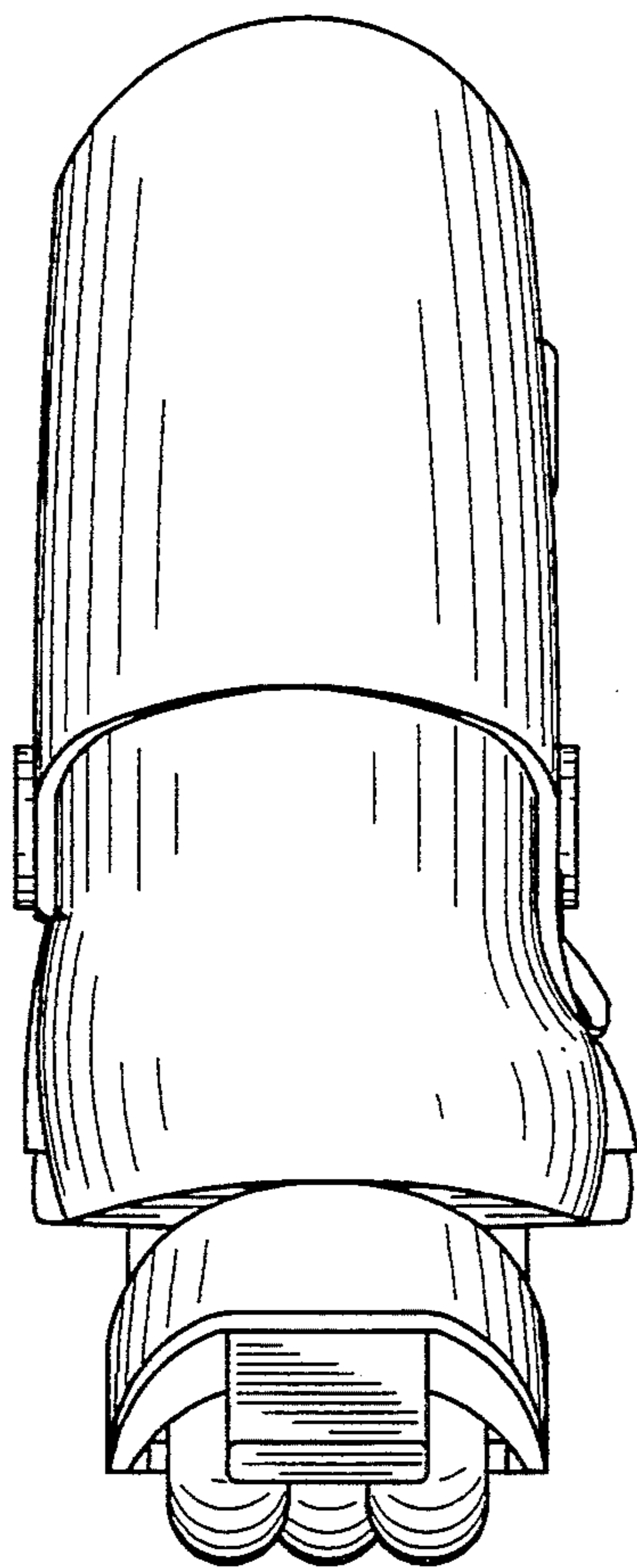


FIG. 4

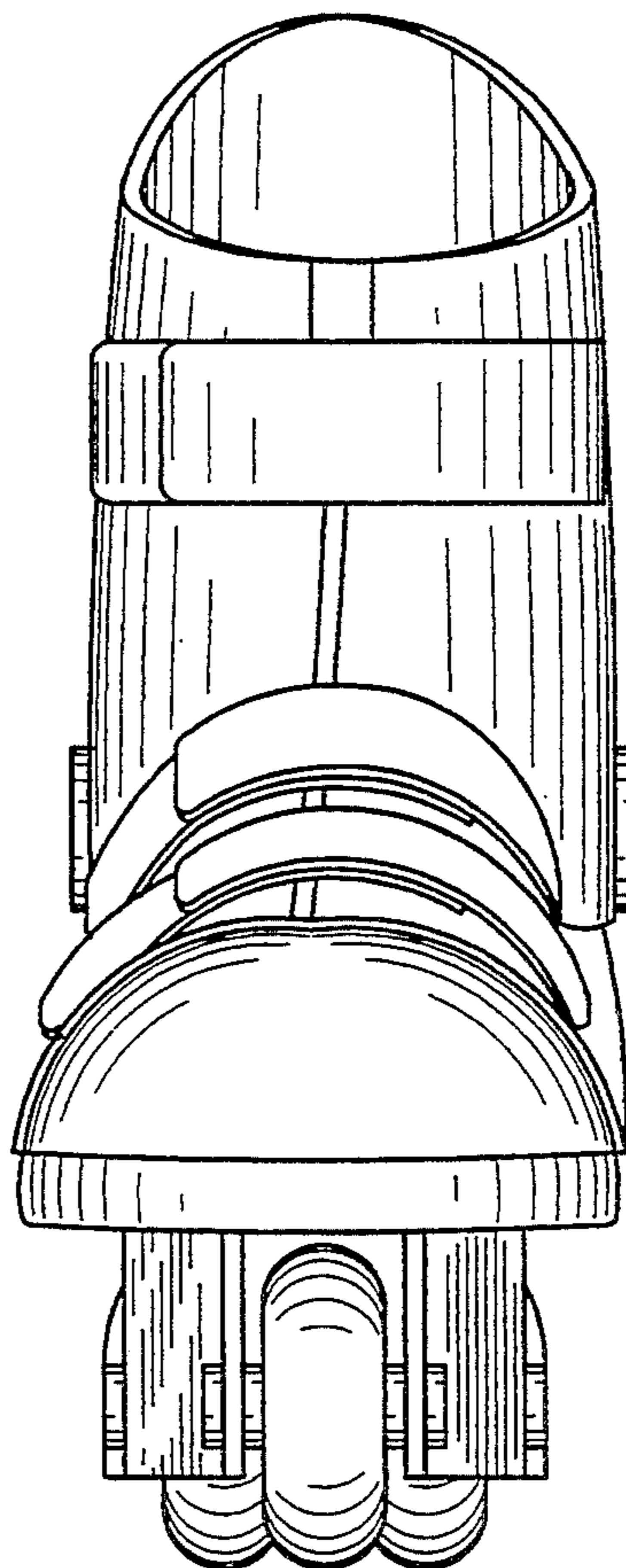


FIG. 5

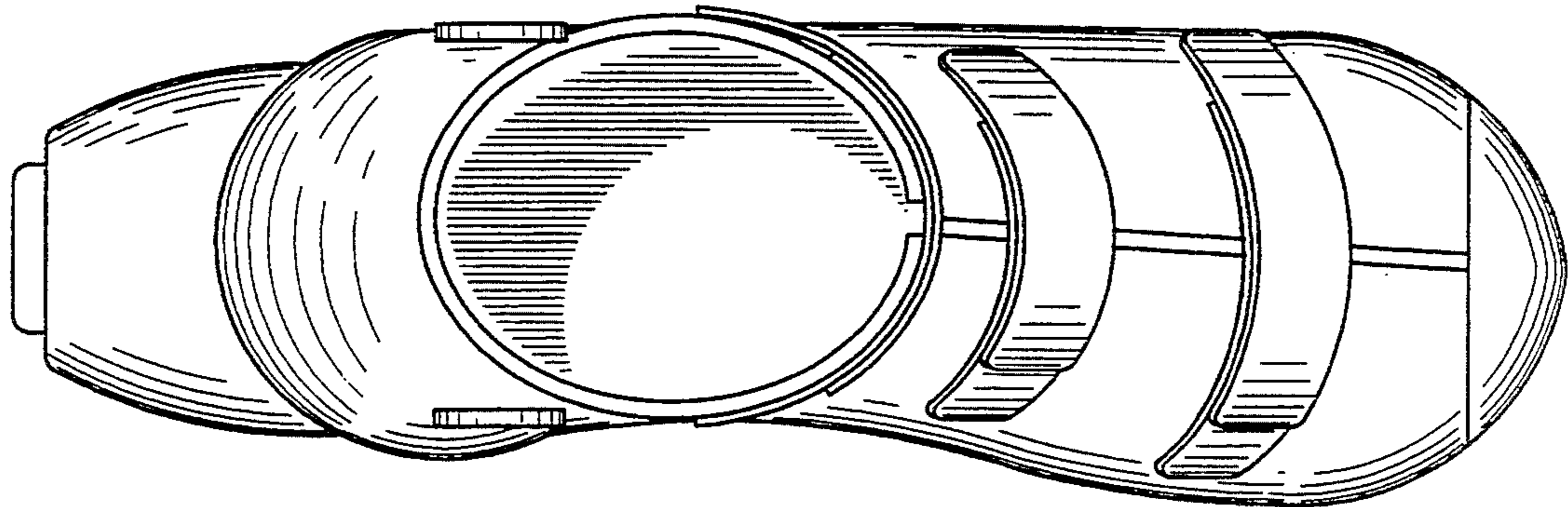


FIG. 6

