



US00D359094S

United States Patent [19]

[11] Patent Number: **Des. 359,094**

Brovelli

[45] Date of Patent: **** Jun. 6, 1995**

[54] **MOTORIZED MINI-BALL**

5,199,716 4/1993 Defluiter et al. 273/58 K X
5,297,981 3/1984 Maxim et al. .

[75] Inventor: **Virginio Brovelli, Taino, Italy**

FOREIGN PATENT DOCUMENTS

[73] Assignee: **Lanard Toys Limited, Hong Kong, Hong Kong**

1405454 9/1975 United Kingdom 273/58 K

[**] Term: **14 Years**

Primary Examiner—Theodore M. Shooman
Assistant Examiner—Cheri Cohen
Attorney, Agent, or Firm—Brumbaugh, Graves, Donohue & Raymond

[21] Appl. No.: **20,509**

[22] Filed: **Mar. 28, 1994**

[52] U.S. Cl. **D21/204**

[57] **CLAIM**

[58] Field of Search D21/203-205;
273/58 G, 58 A, 58 B, 58 R, 58 J, 58 K, 65 R,
65 EG, 65 EF; 446/437, 462; 601/131

The ornamental design for a motorized mini-ball, as shown and described.

DESCRIPTION

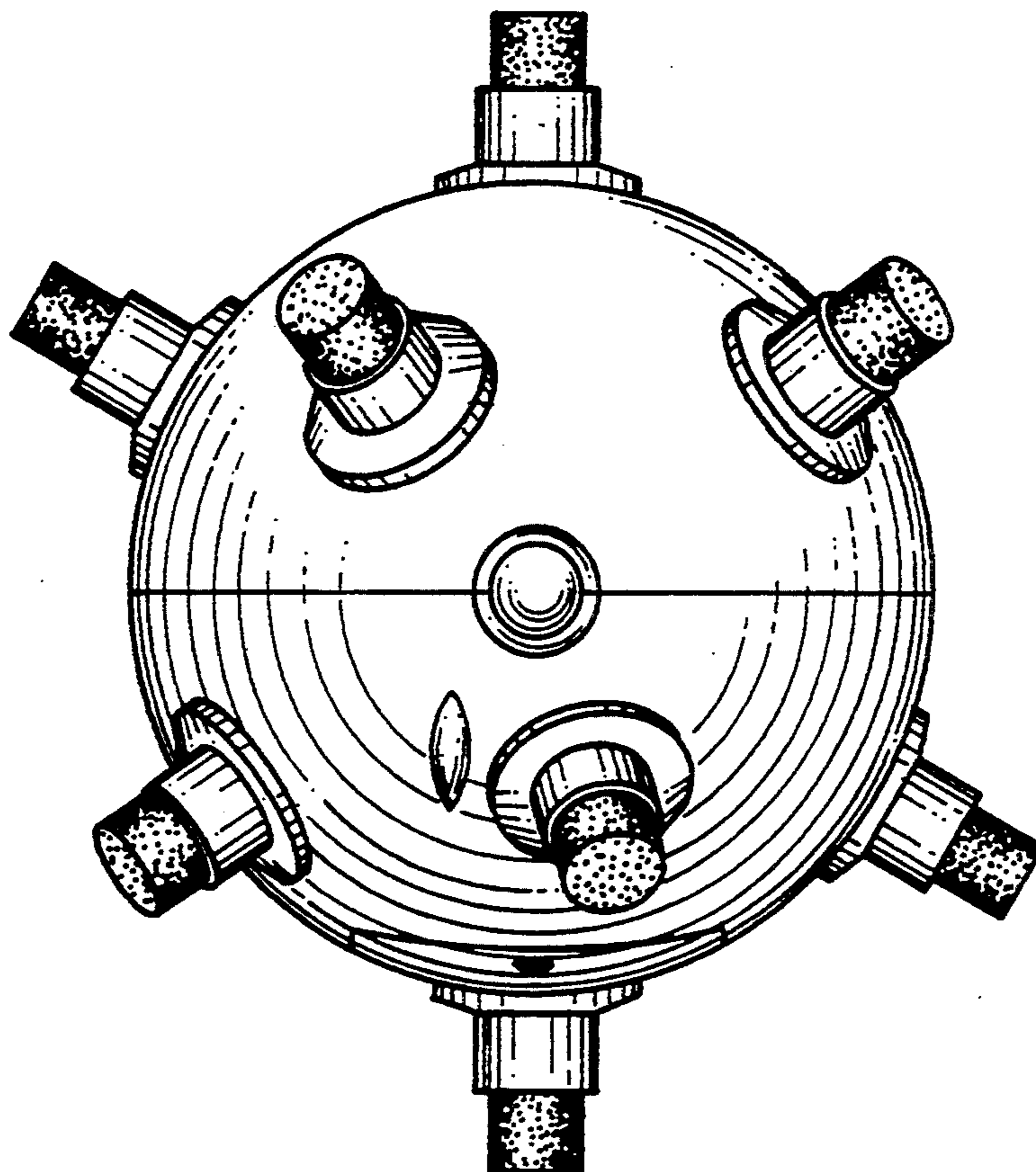
[56] **References Cited**

FIG. 1 is a front elevation view of a motorized mini-ball showing my new design;

U.S. PATENT DOCUMENTS

D. 260,662	9/1981	Hida	D21/108
744,718	11/1903	Cassidy	273/58 K
4,191,178	3/1980	Wisnieski	601/131
4,267,217	5/1981	Brooker	273/58 A X
5,028,053	7/1991	Leopold	.	

FIG. 2 is a top plan view thereof;
FIG. 3 is a left side elevation view thereof;
FIG. 4 is a right side elevation view thereof;
FIG. 5 is a rear elevation view thereof; and,
FIG. 6 is a bottom plan view thereof.



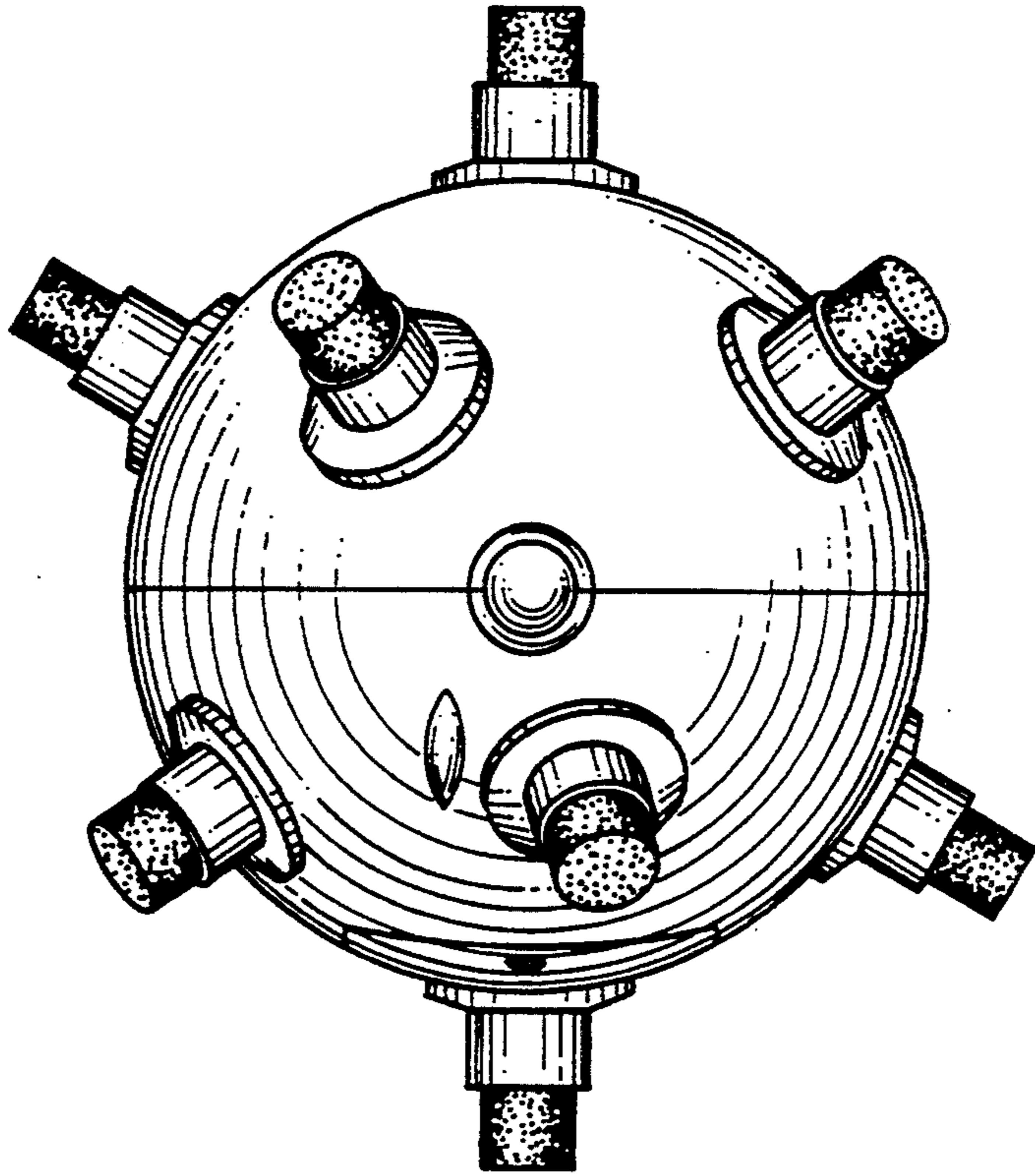


FIG. 1

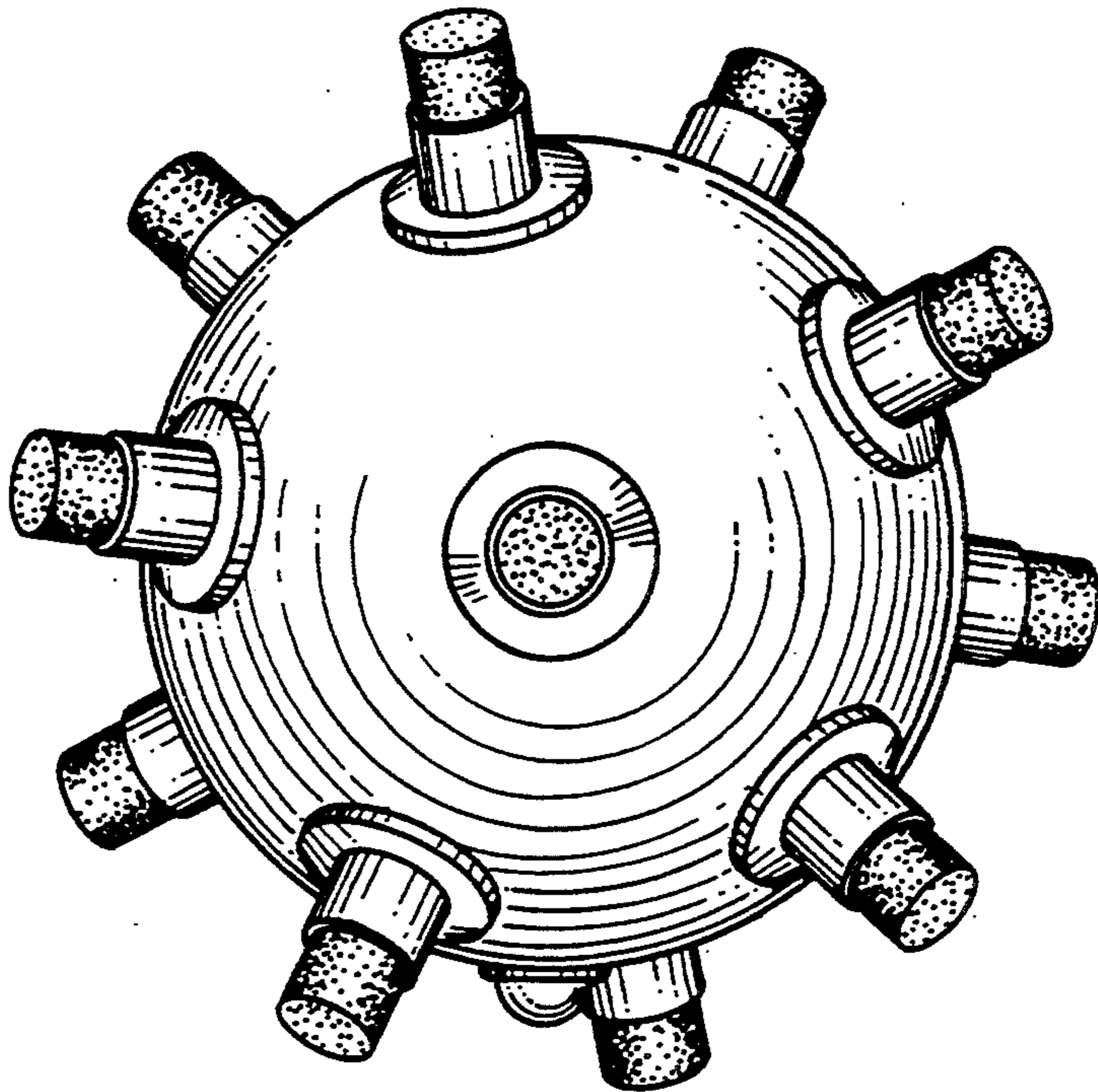


FIG. 2

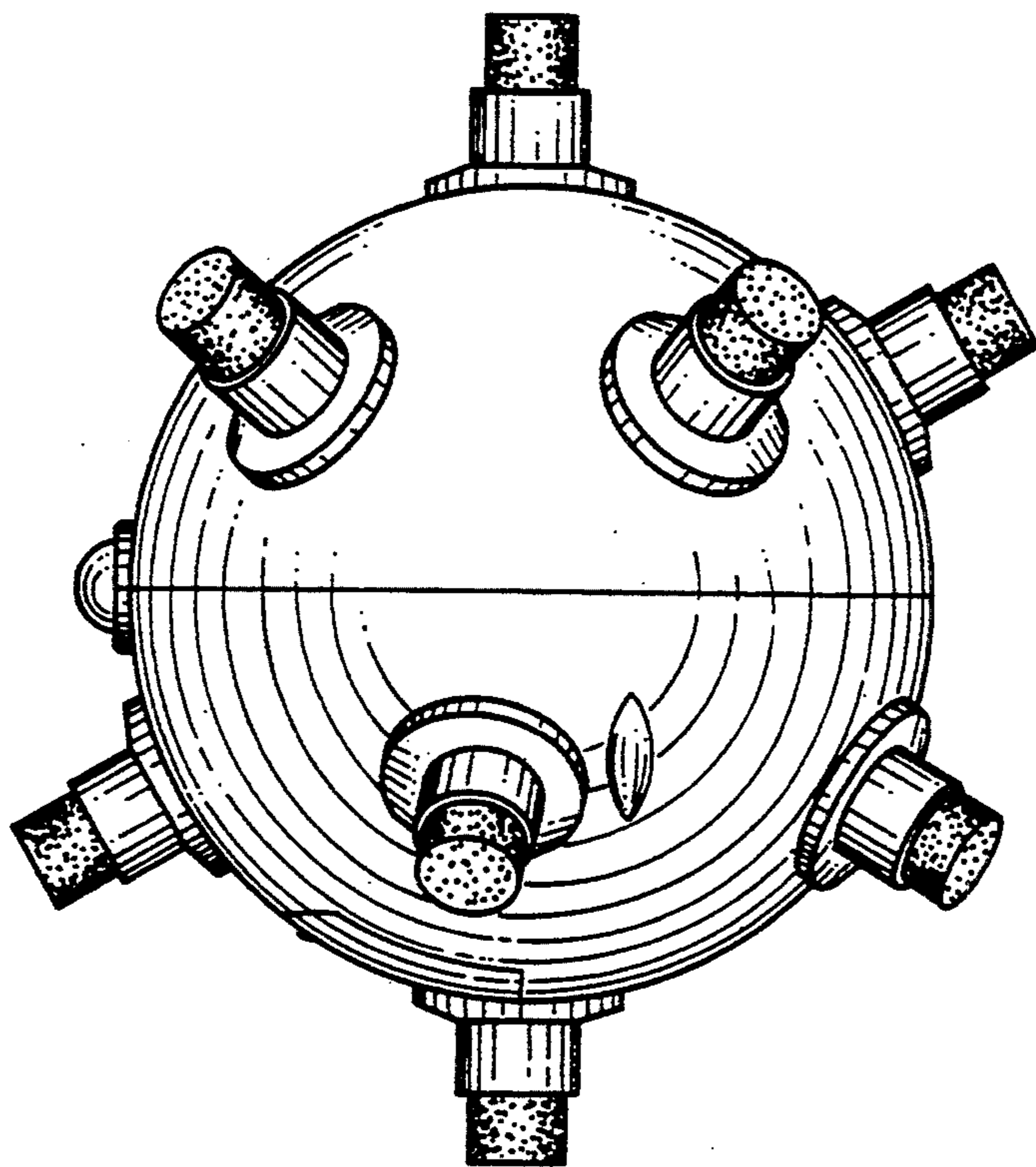


FIG. 3

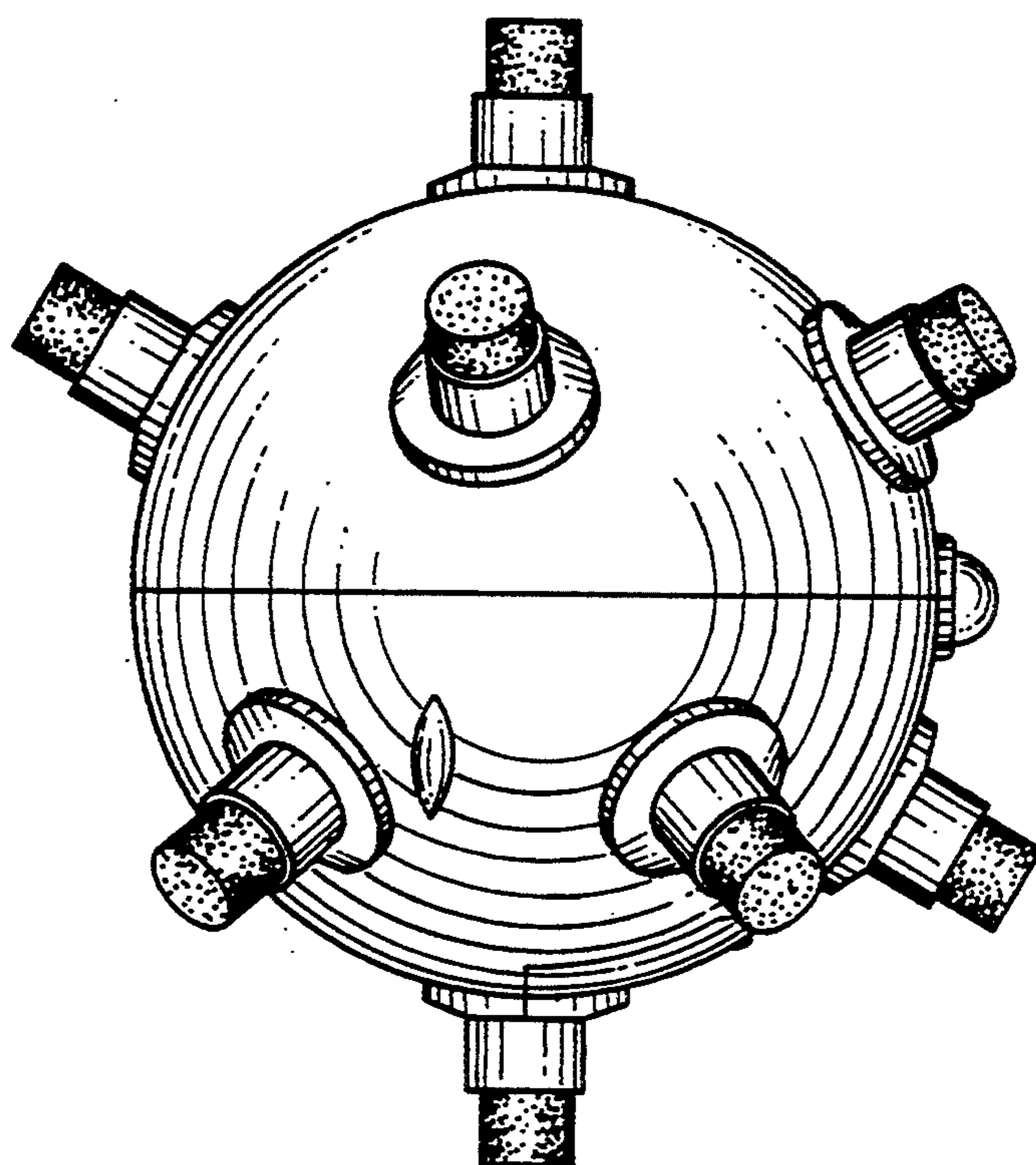


FIG. 4

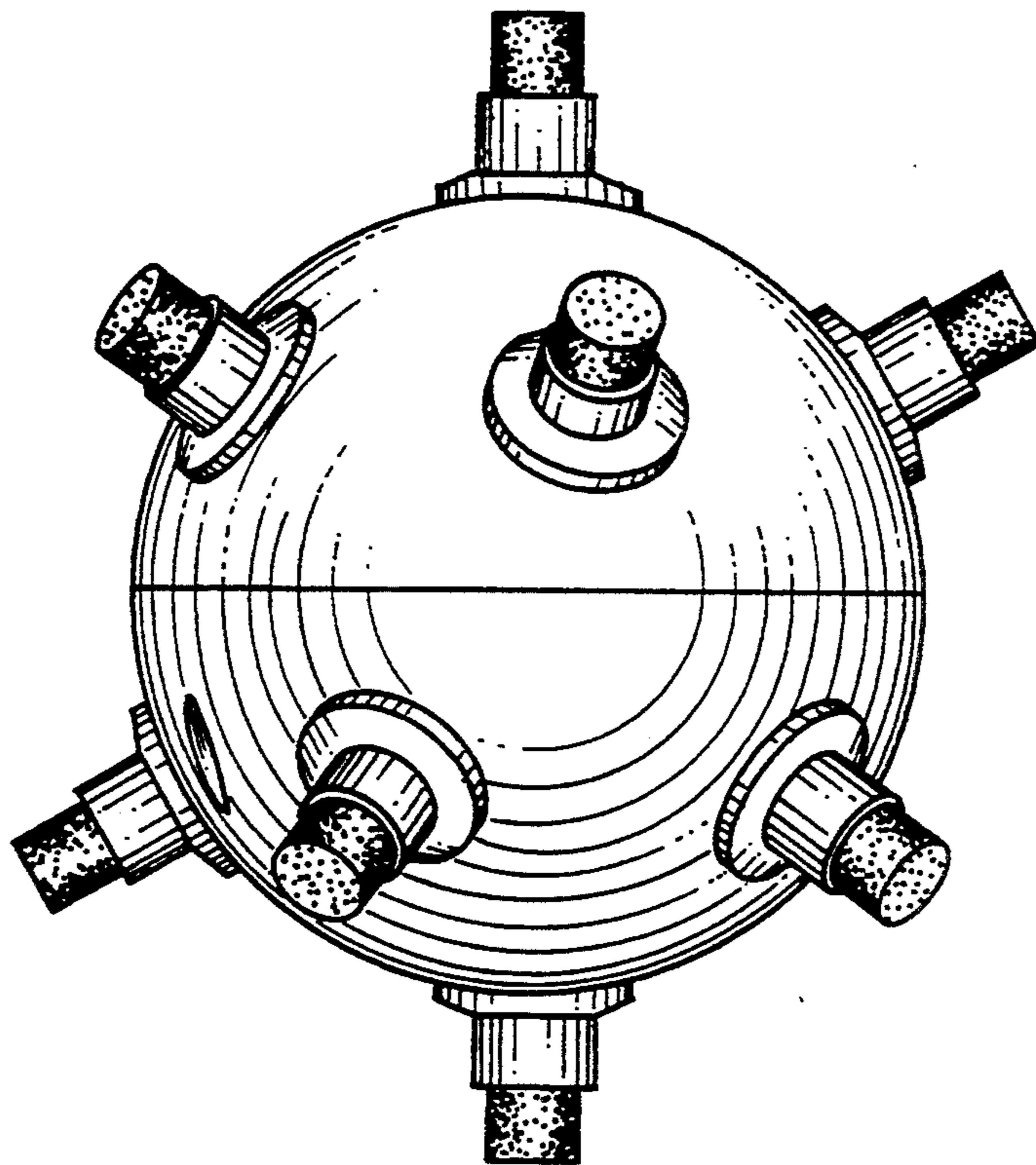


FIG. 5

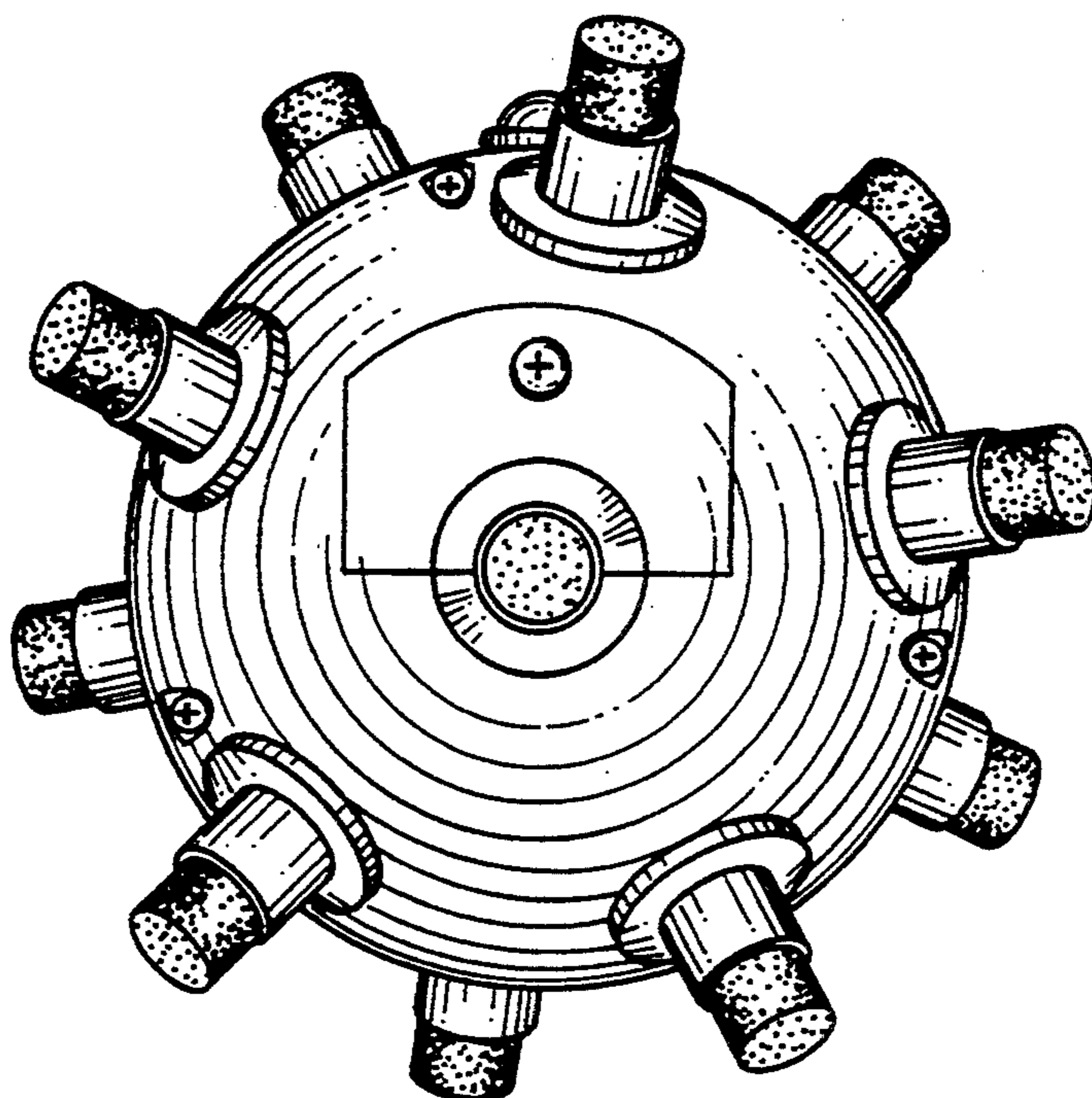


FIG. 6