



US00D359091S

# United States Patent [19]

[11] Patent Number: **Des. 359,091**

Offutt

[45] Date of Patent: **\*\* Jun. 6, 1995**

[54] **SOCCER BALL GOAL**

[75] Inventor: **James C. Offutt, Evanston, Ill.**

[73] Assignee: **Rimball Marketing and Development, Inc., Evanston, Ill.**

[\*\*] Term: **14 Years**

[21] Appl. No.: **11,704**

[22] Filed: **Aug. 11, 1993**

[52] U.S. Cl. .... **D21/200**

[58] Field of Search ..... **D21/200, 201; 273/1.5 R, 1.5 A, 411, 401, 402, 396, 26 A, 26 R, 410, 181 R, 181 F, 182 R, 182 A, 127 R, 127 C, 127 D; D32/66; D6/429**

4,260,154 4/1981 Balbastro .  
 4,286,786 9/1981 Papadopoulos .  
 4,703,931 11/1987 Steen .  
 4,762,319 8/1988 Krumholz .  
 4,828,270 5/1989 Chiang .  
 4,932,657 6/1990 Hailer et al. .  
 5,000,461 3/1991 Borazjani .  
 5,054,791 10/1991 Ball .  
 5,149,086 9/1992 Ziff ..... 273/1.5 R  
 5,181,725 1/1993 Leras et al. .  
 5,217,230 6/1993 Judd .

[56] **References Cited**  
**U.S. PATENT DOCUMENTS**

D. 170,672 10/1953 Zalkind ..... D6/429  
 D. 302,991 8/1989 York ..... D21/200  
 D. 323,864 2/1992 Dunn, Sr. et al. .... D21/201  
 1,258,931 3/1918 Newcombe .  
 2,545,615 3/1946 Hatley .  
 2,818,254 12/1957 Dunn ..... 273/1.5 R  
 2,932,516 4/1960 Penner .  
 2,986,398 5/1961 Oliver .  
 3,421,764 6/1965 Smith et al. .  
 3,743,286 7/1973 Weinhagen et al. .... 273/1.5 R  
 3,839,754 10/1974 Hooper ..... D6/429 X  
 4,057,252 11/1977 Pelton .  
 4,258,924 3/1981 Ketchum .

*Primary Examiner*—Theodore M. Shooman  
*Assistant Examiner*—Cheri Cohen  
*Attorney, Agent, or Firm*—McAndrews, Held & Malloy, Ltd.

[57] **CLAIM**

The ornamental design for the soccer ball goal, as shown and described.

**DESCRIPTION**

FIG. 1 is a perspective view of a soccer ball goal showing my new design;  
 FIG. 2 is a perspective view thereof, shown at an adjusted height;  
 FIG. 3 is a left side elevation view thereof;  
 FIG. 4 is a front elevation view thereof;  
 FIG. 5 is a top plan view thereof;  
 FIG. 6 is a right side elevation view thereof;  
 FIG. 7 is a rear elevation view thereof; and,  
 FIG. 8 is a bottom plan view thereof.

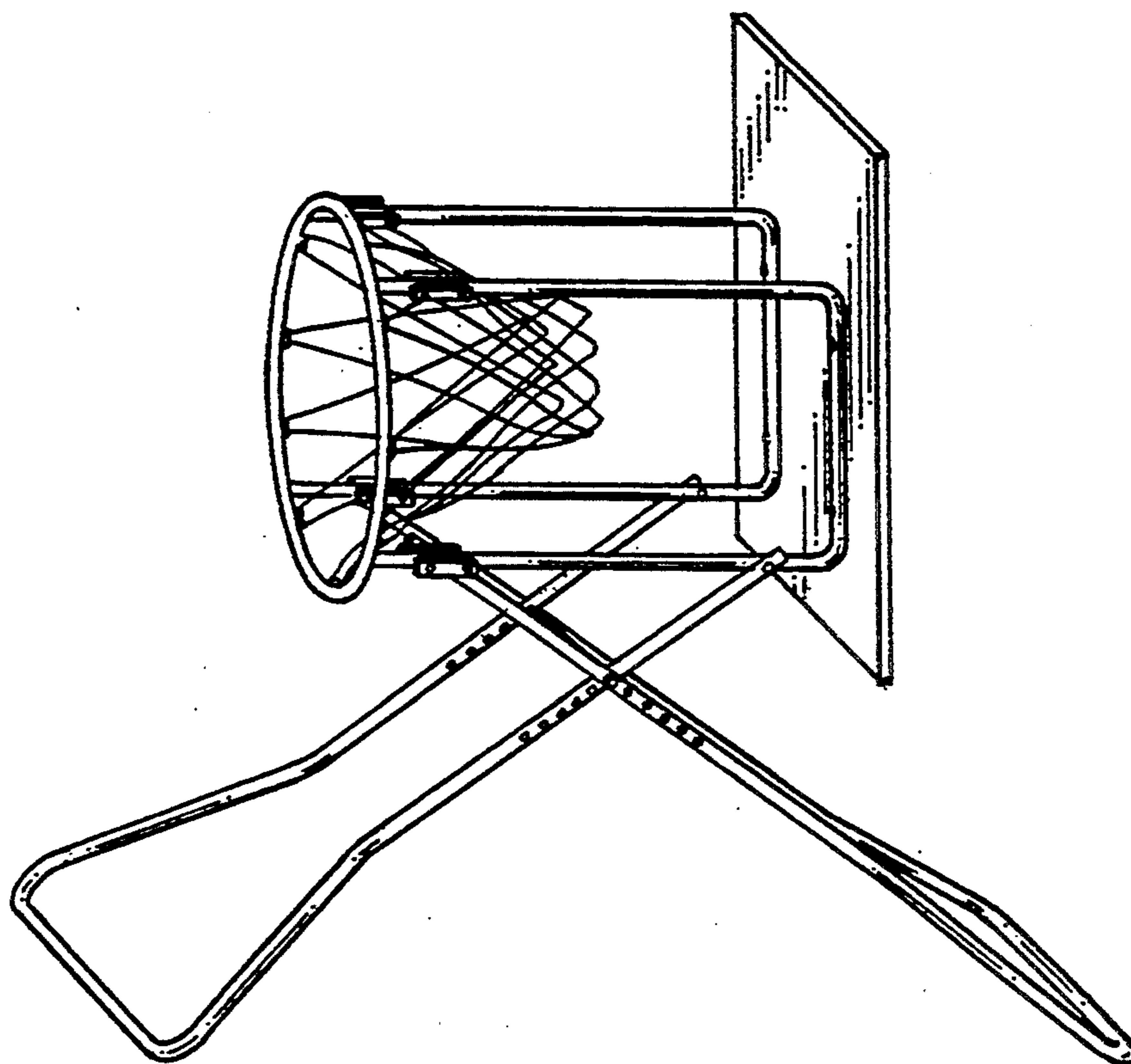


Fig. 1

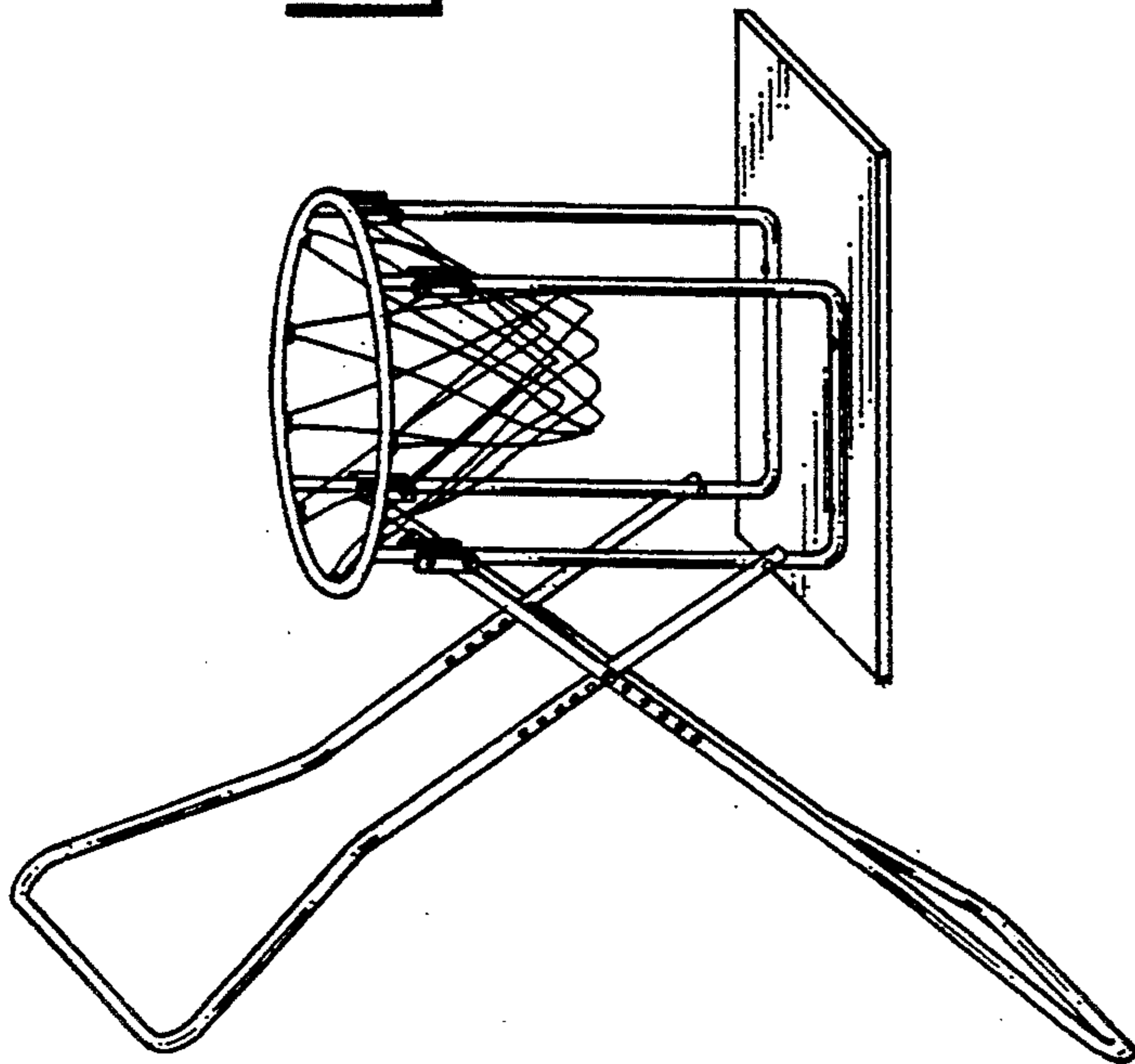


Fig. 2

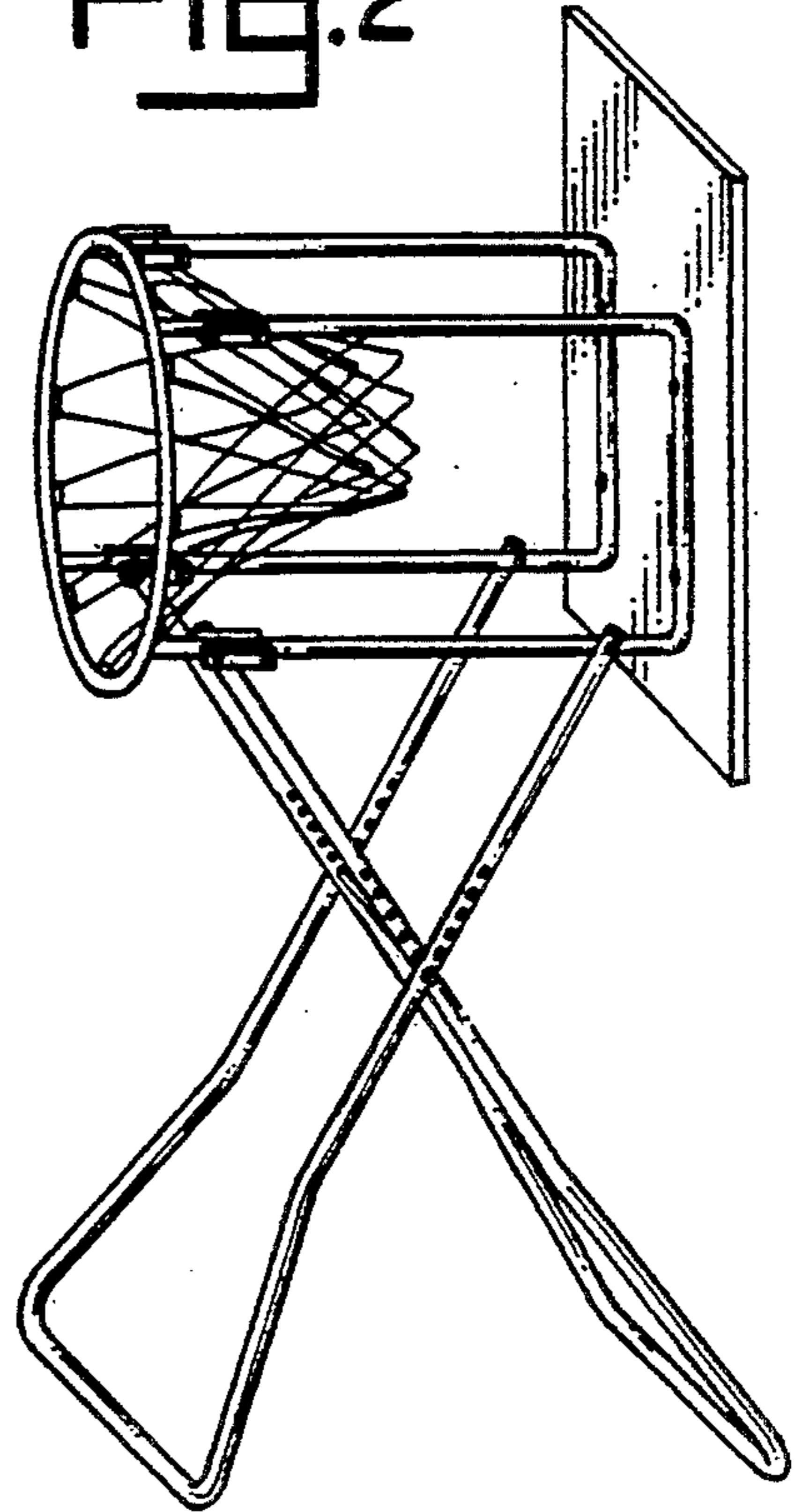


Fig. 3

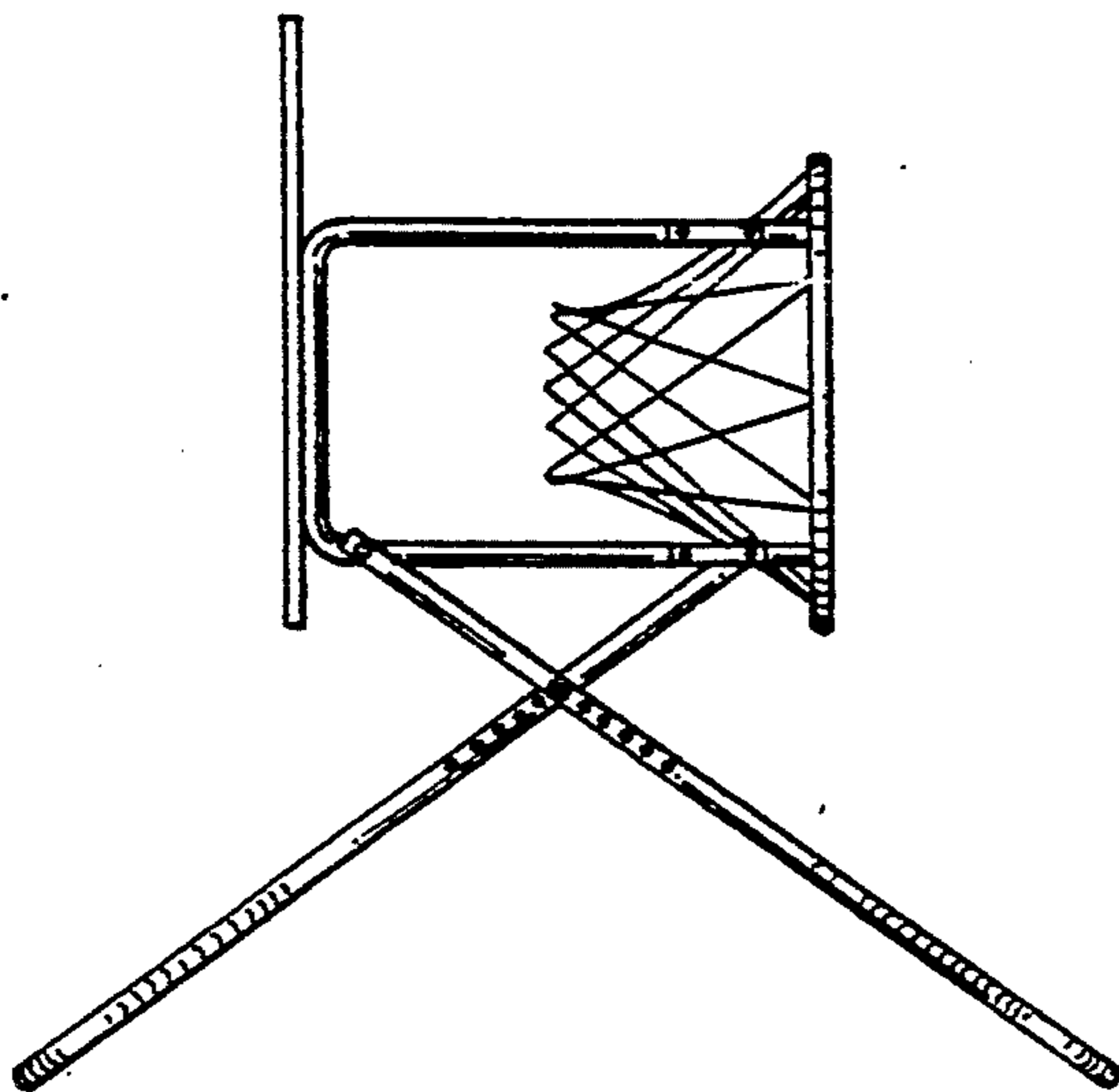
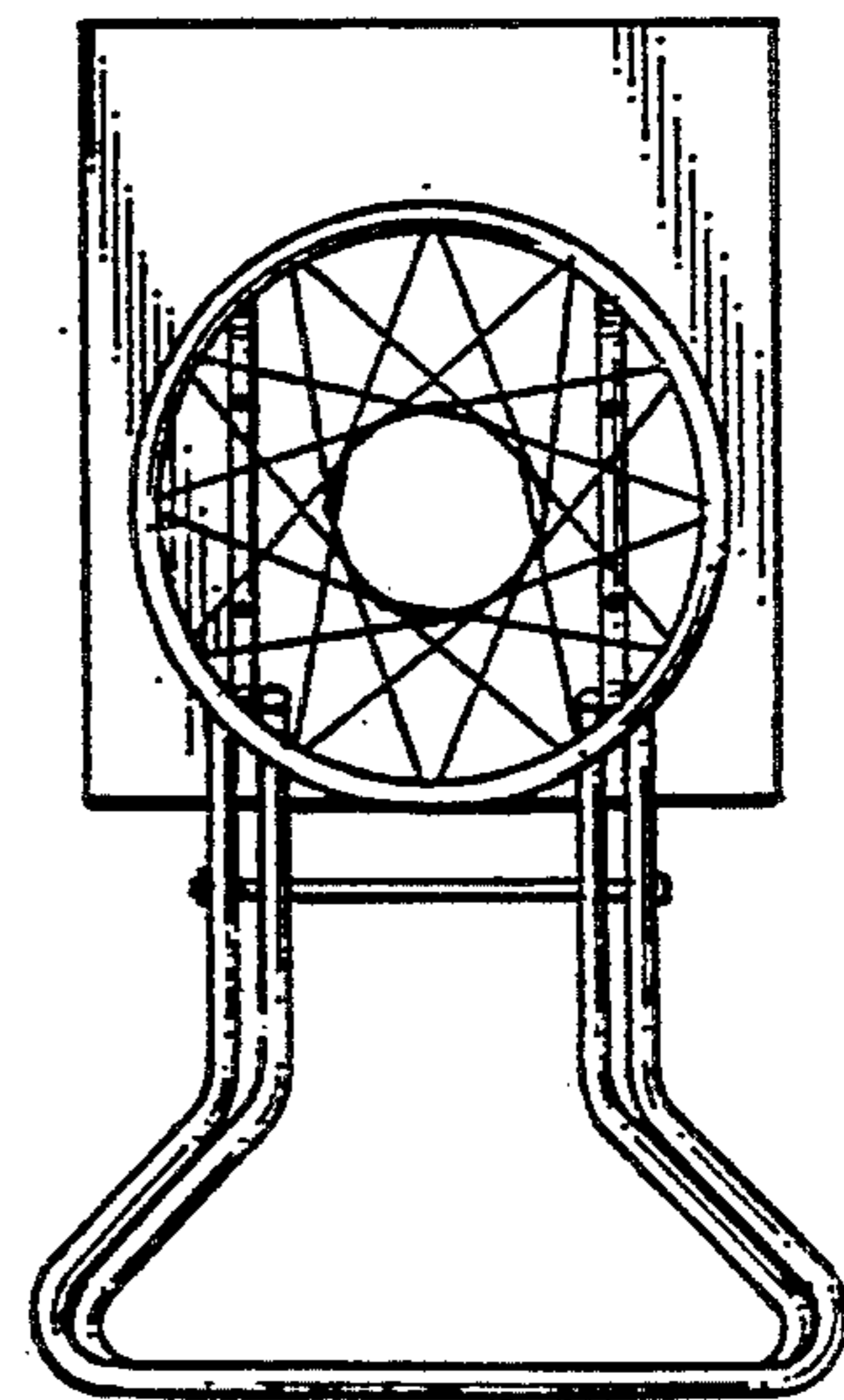


Fig. 4



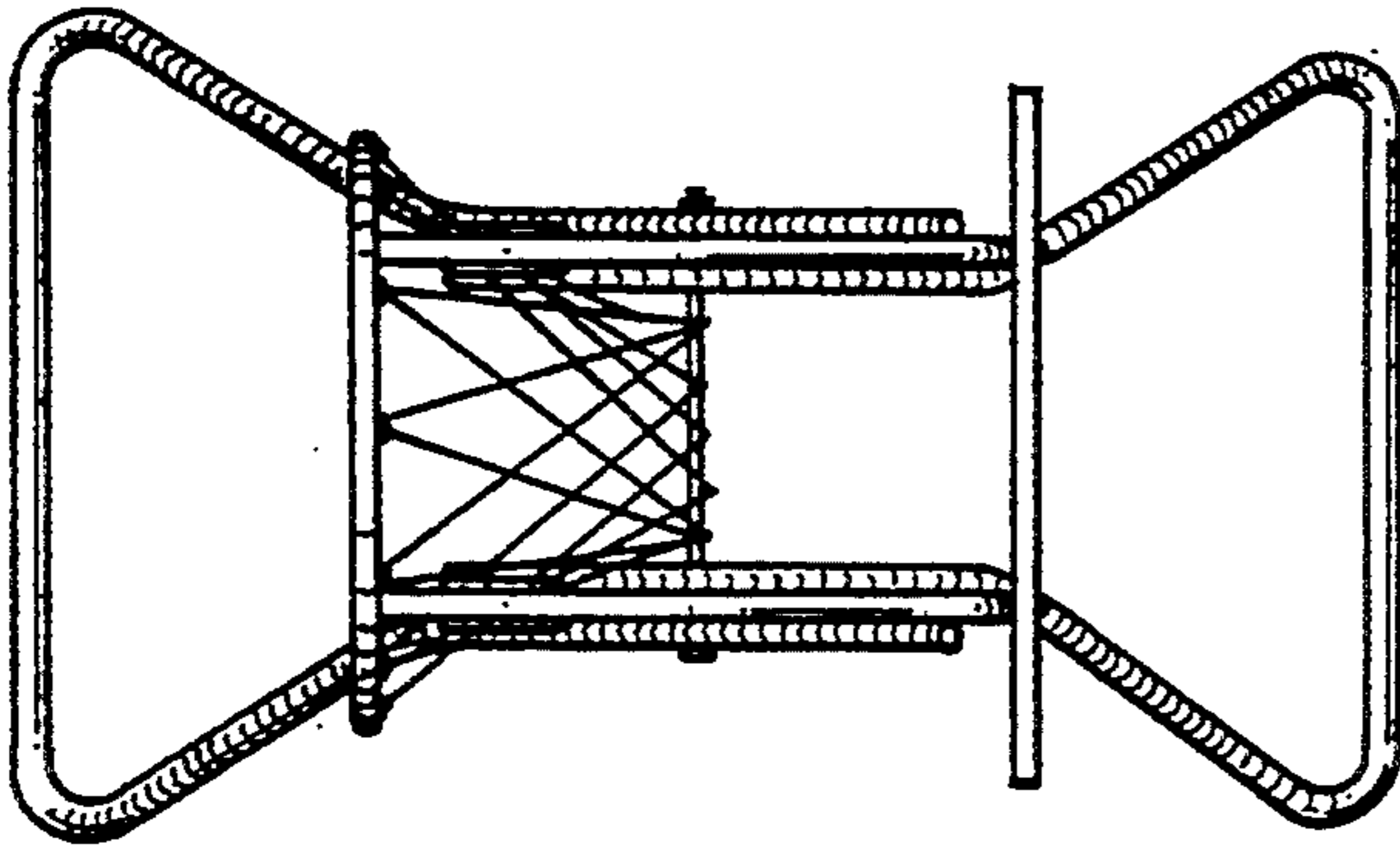


Fig. 5

Fig. 6

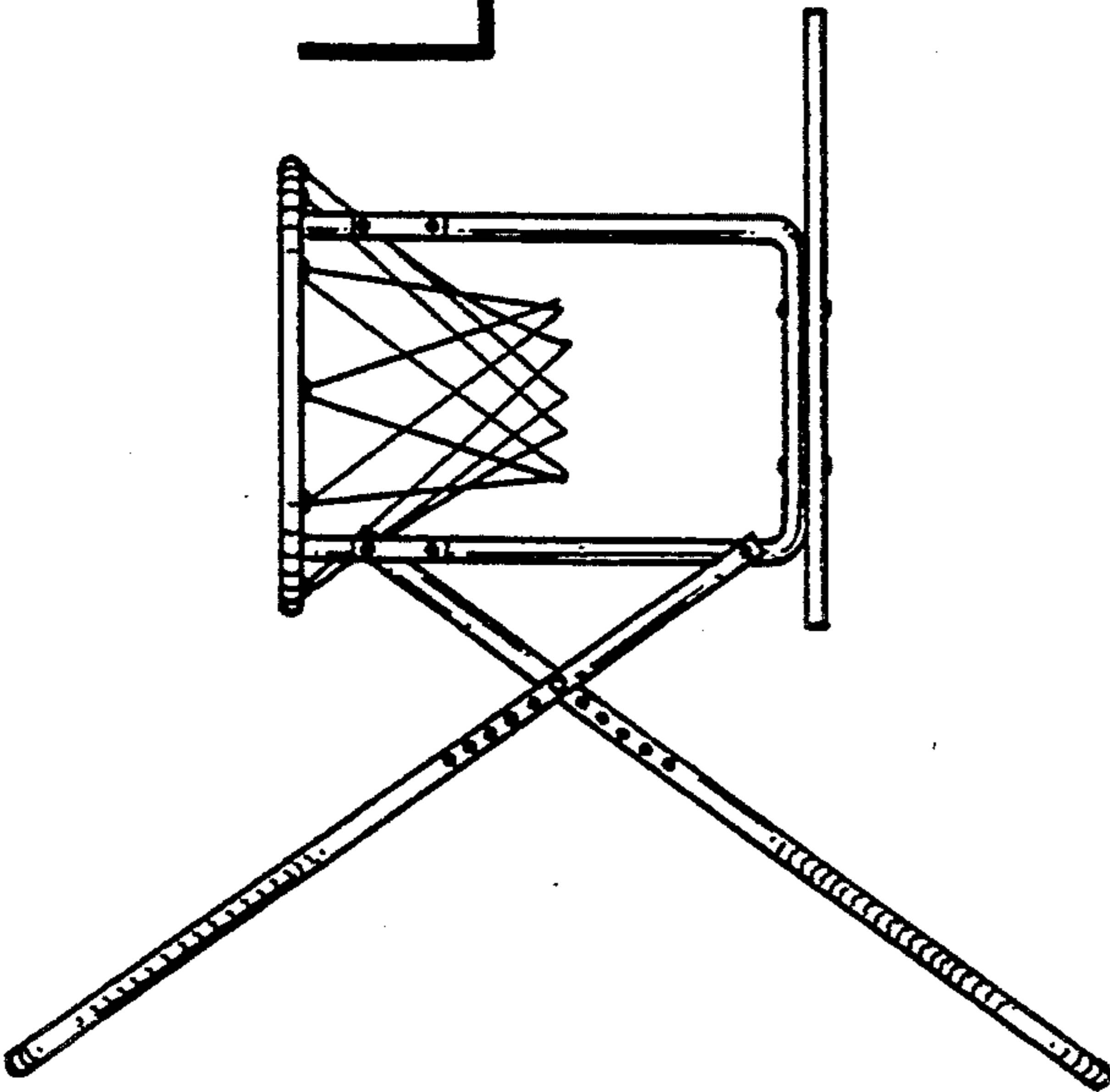


Fig. 7

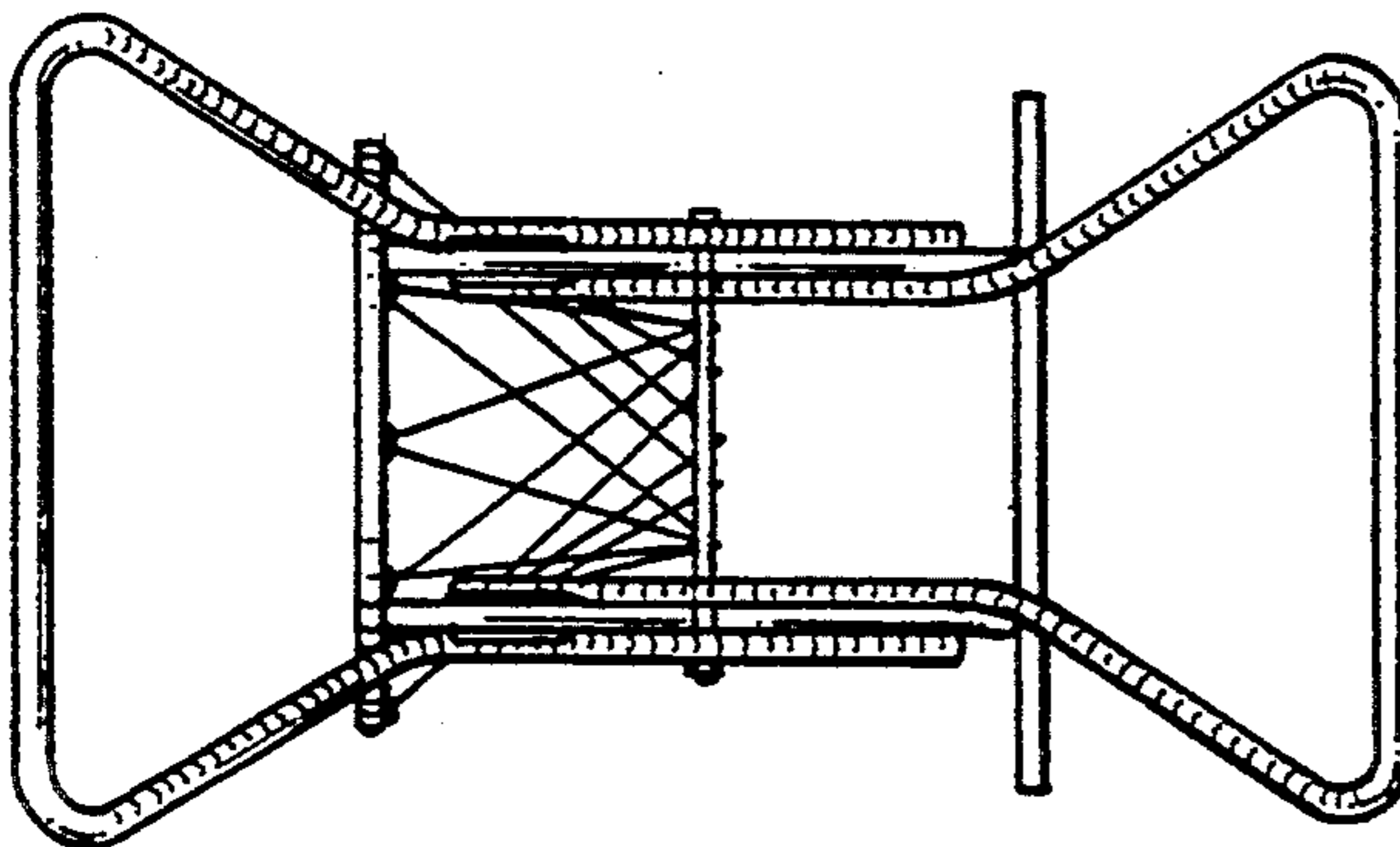
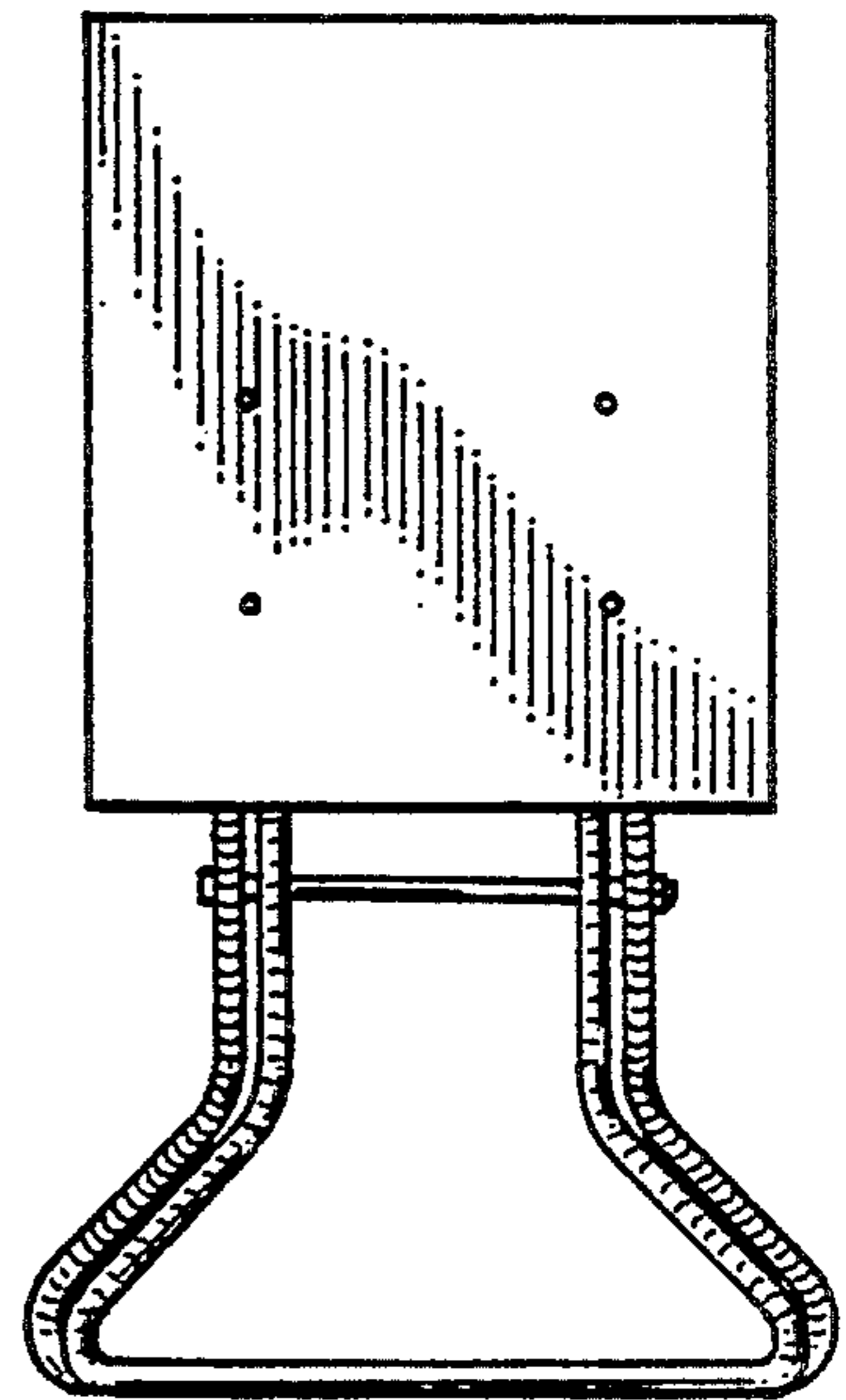


Fig. 8