



US00D359090S

# United States Patent [19]

[11] Patent Number: Des. 359,090

Van Der Hoeven

[45] Date of Patent: \*\* Jun. 6, 1995

[54] **COMBINATION EXERCISE WEIGHT AND WATER BOTTLE**

[76] Inventor: **Martin A. Van Der Hoeven, #303**  
3330 Carlsbad Blvd., Carlsbad, Calif.  
92008

[\*\*] Term: **14 Years**

[21] Appl. No.: **16,529**

[22] Filed: **Dec. 20, 1993**

[52] U.S. Cl. .... **D21/197; D9/531**

[58] Field of Search ..... **D21/191, 196, 197, 198;**  
**D9/535, 531, 528; 482/106, 108, 109; D24/197**

[56] **References Cited**

**U.S. PATENT DOCUMENTS**

D. 271,408	11/1983	Bauer	.....	D21/197
D. 297,961	10/1988	Egger	.....	D21/197
D. 299,153	12/1988	Hall	.....	D21/197
D. 321,936	11/1991	Donovan	.....	D9/531
D. 338,407	8/1993	Lynd	.....	D9/531
D. 339,839	9/1993	Day	.....	D21/197

D. 343,660	1/1994	Hwang	.....	D21/197
4,703,927	11/1987	Hanzlik	.....	482/108
4,720,098	1/1988	Gordon	.....	482/108
4,773,640	9/1988	Kölbels et al.	.....	482/108
4,913,422	4/1990	Elmore et al.	.....	482/106

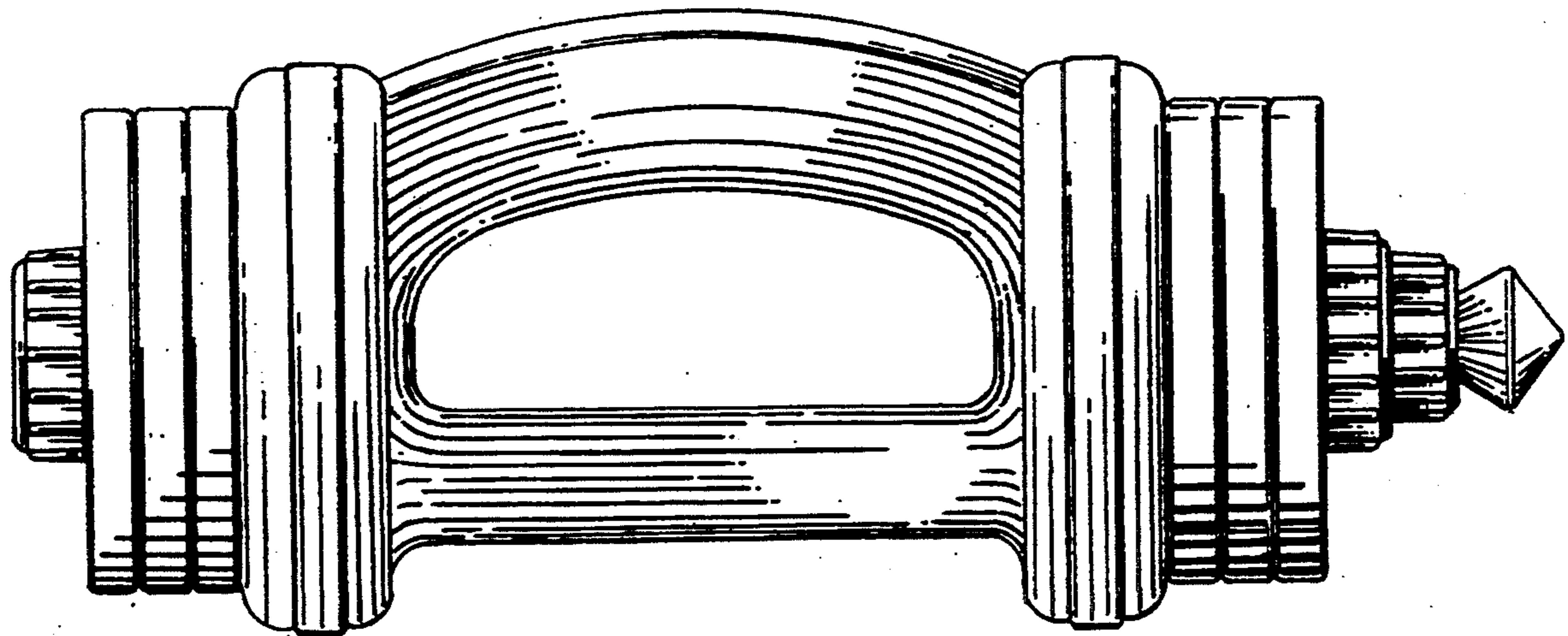
*Primary Examiner*—Prabhakar G. Deshmukh  
*Assistant Examiner*—Philip Hyder  
*Attorney, Agent, or Firm*—Henri J. A. Charmasson; John D. Buchaca

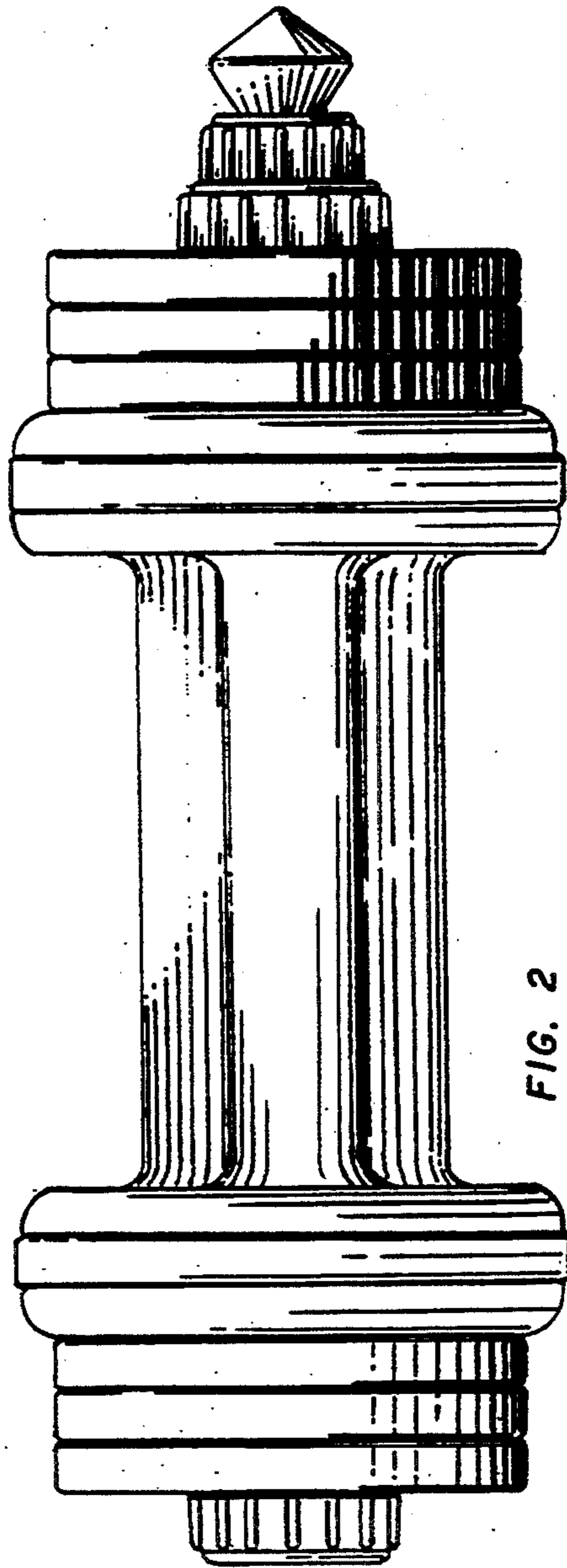
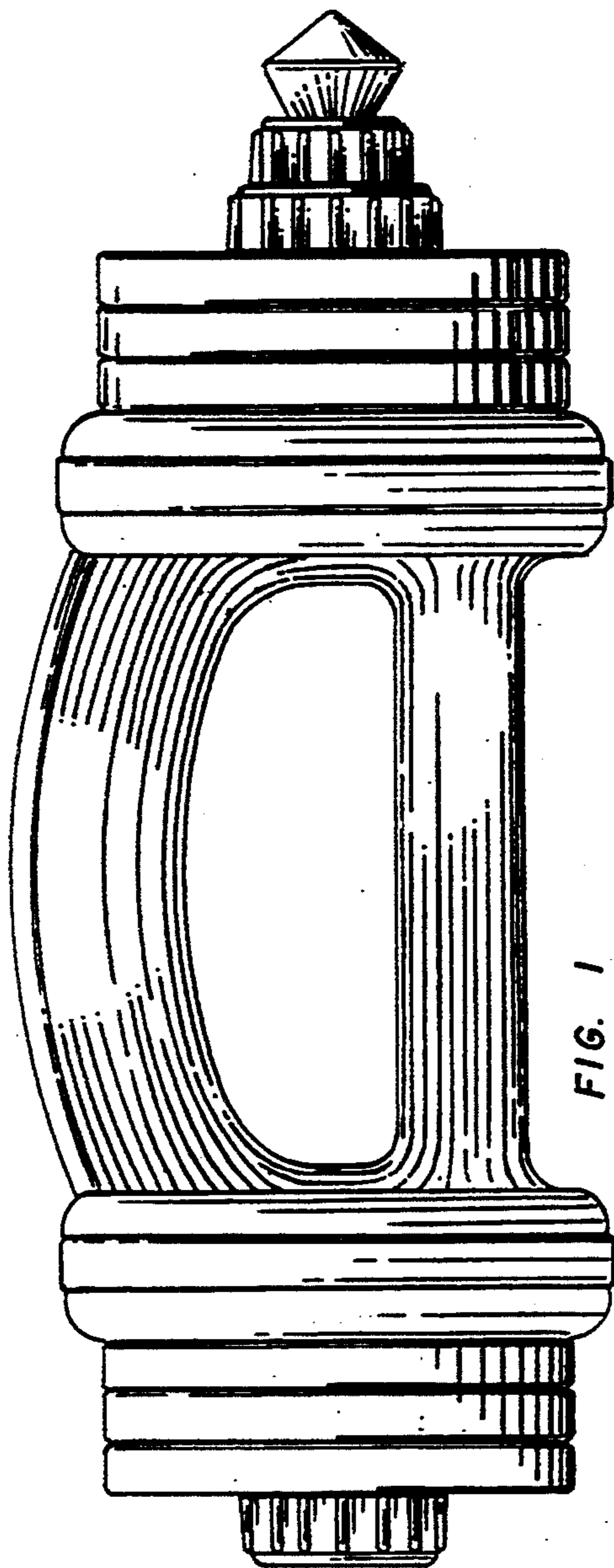
[57] **CLAIM**

The ornamental design for a combination exercise weight and water bottle, as shown and described.

**DESCRIPTION**

FIG. 1 is a right side elevational view of a combination exercise weight and water bottle showing my new design, the left side being a mirror image of the right side; FIG. 2 is a bottom plan view thereof; FIG. 3 is a top plan view thereof; FIG. 4 is a front elevational view thereof; and, FIG. 5 is a rear elevational view thereof.





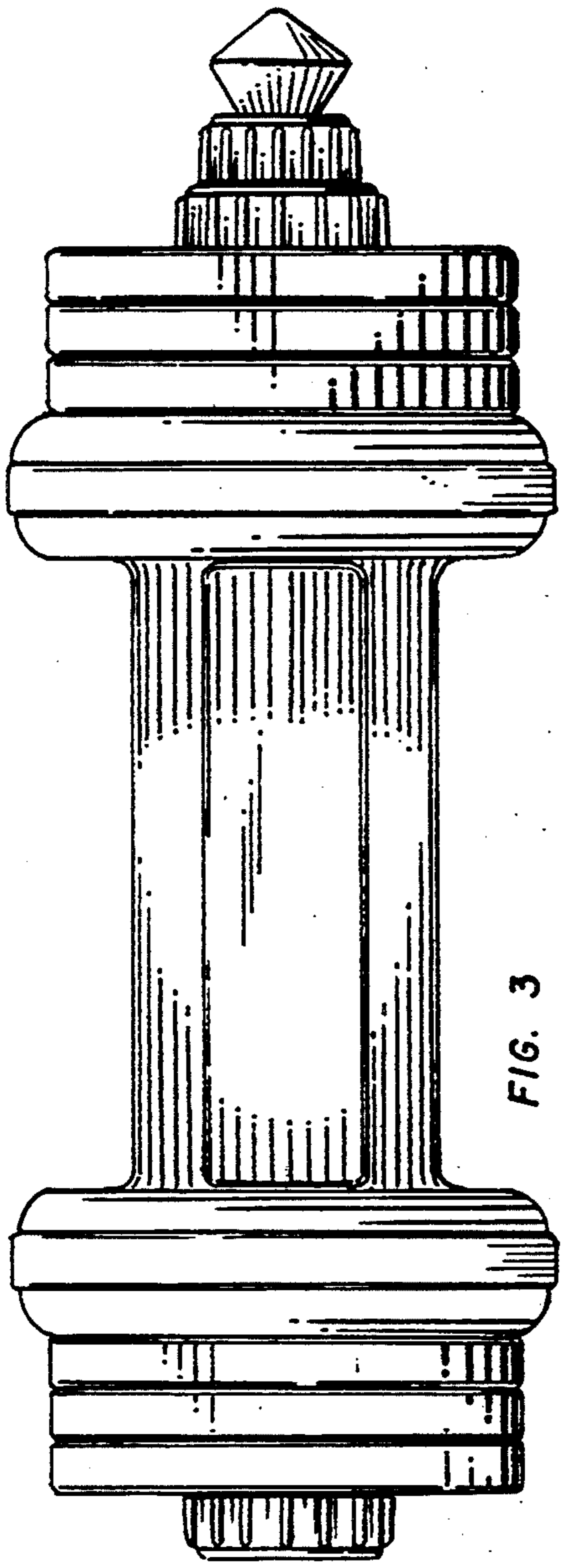


FIG. 3

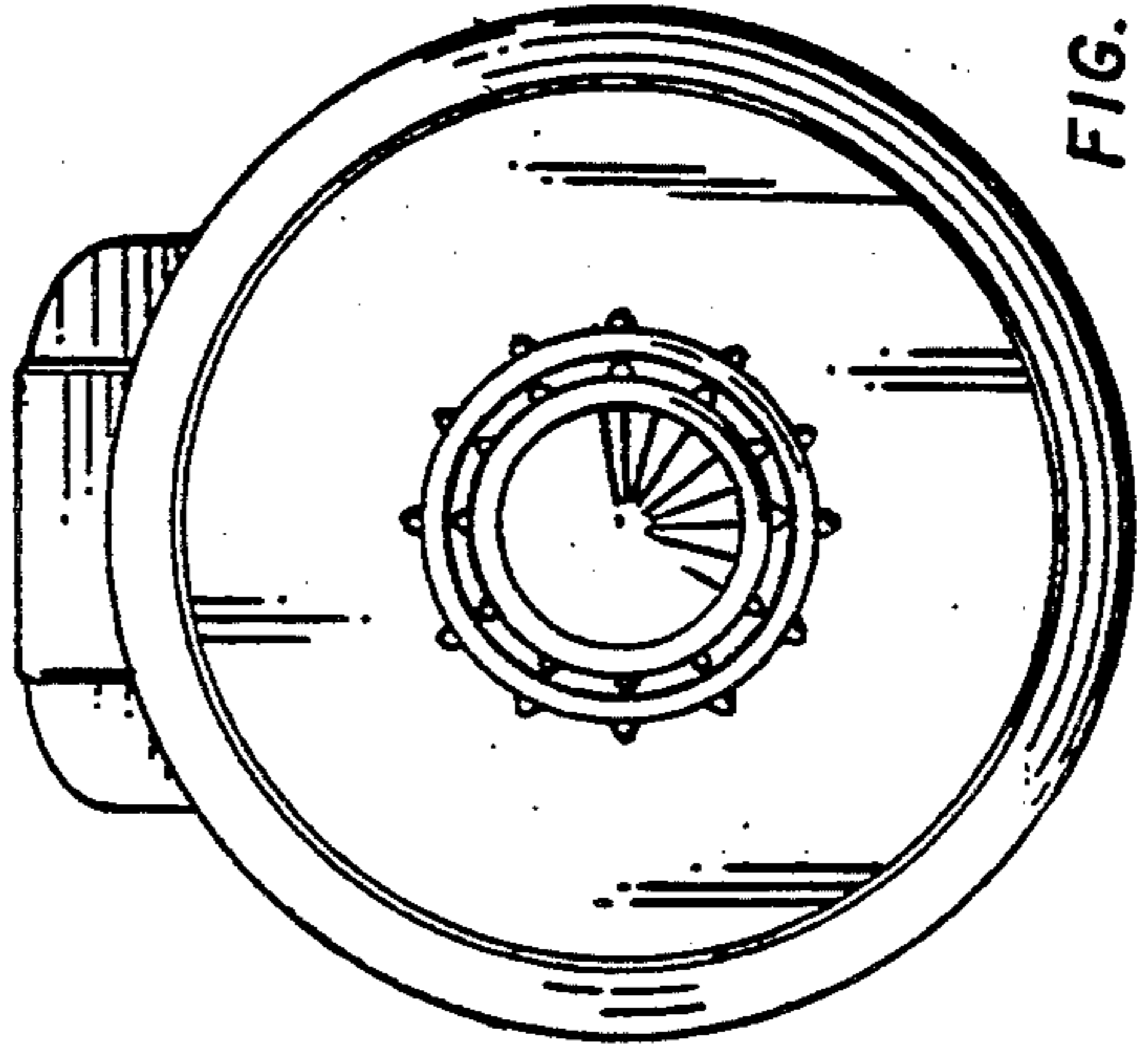


FIG. 4

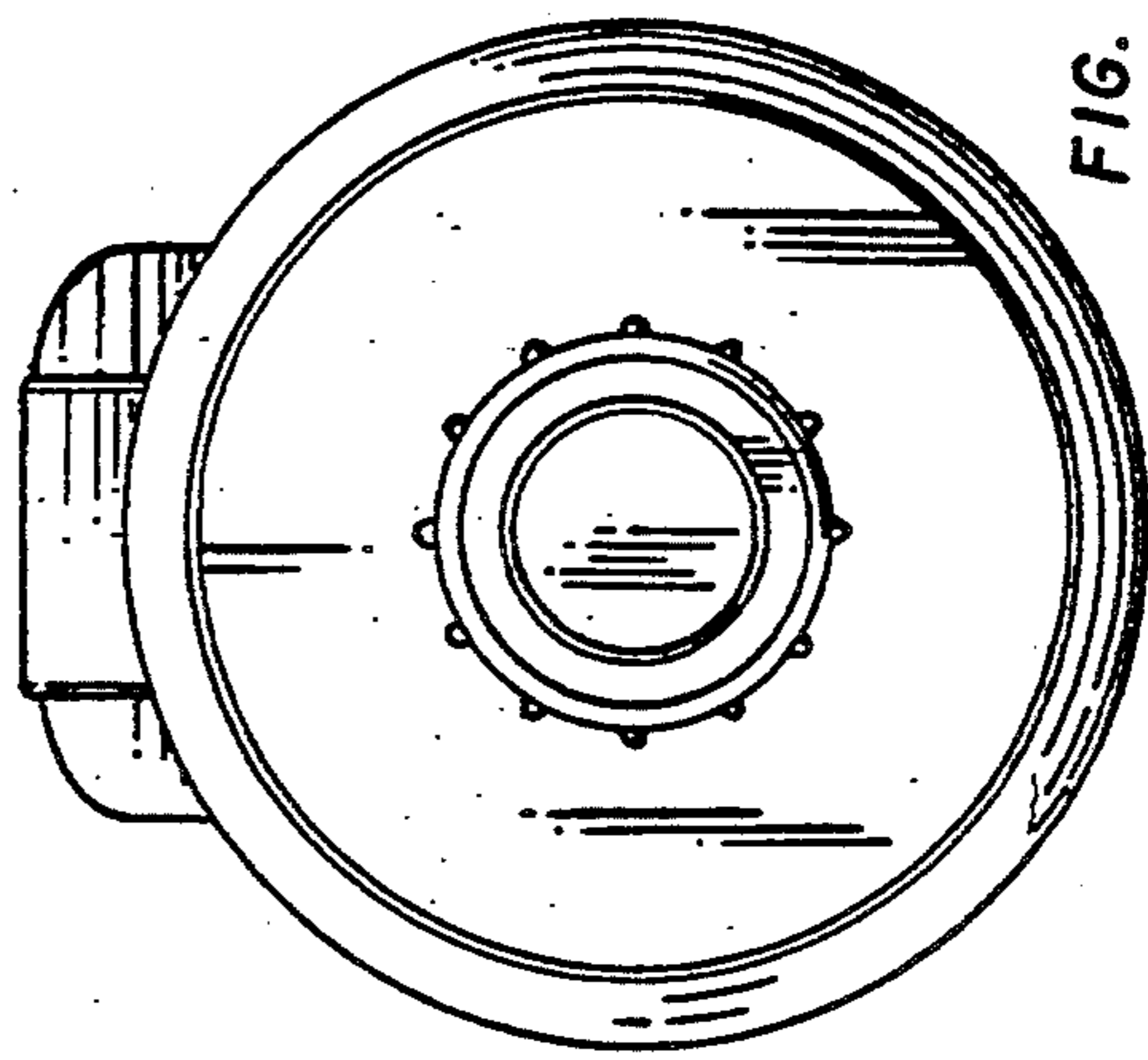


FIG. 5