



US00D359089S

United States Patent [19]

[11] Patent Number: **Des. 359,089**

Taylor

[45] Date of Patent: **** Jun. 6, 1995**

[54] LEG STRETCHING APPARATUS

[76] Inventor: **W. Mike Taylor**, 6910 See Wee Rd., Awendaw, S.C. 29429

[**] Term: **14 Years**

[21] Appl. No.: **14,908**

[22] Filed: **Nov. 4, 1993**

[52] U.S. Cl. **D21/191**

[58] Field of Search **D21/191; 482/131, 121, 482/133, 907, 112, 138**

[56] References Cited

U.S. PATENT DOCUMENTS

4,445,684	5/1984	Ruff	482/131
4,456,247	6/1984	Ehrenfried	482/131
4,647,040	3/1987	Ehrenfried	482/131
4,781,373	11/1988	Irwin	482/907
4,844,453	7/1989	Hestilow	482/907
4,877,239	10/1989	Dela Rosa	482/907
4,892,304	1/1990	De Niro	482/907
5,026,049	6/1991	Goodman	482/907
5,137,504	8/1992	Mangini	482/907

OTHER PUBLICATIONS

Asian World of Martial Arts Ad From Jun. 1983 Black Belt Magazine, LSI-Leg Stretcher.

Asian Word of Martial Arts Ad From Mar. 1993 Black Belt Magazine, Flex-A-Tron Leg Stretcher.

Dolan's Sports Ad From Black Belt Magazine, Jun. 1983, Stretch Machine. Mertens Manufacturing Co. Ad From Jun. 1983 Black Belt Magazine, Shodan Stretcher.

Primary Examiner—Prabhakar G. Deshmukh

Assistant Examiner—Philip Hyder

Attorney, Agent, or Firm—Terry M. Gernstein

[57] CLAIM

The ornamental design for a leg stretching apparatus, as shown and described.

DESCRIPTION

FIG. 1 is a front, top and side perspective view of the leg stretching apparatus showing my new design;

FIG. 2 is a front elevational view thereof;

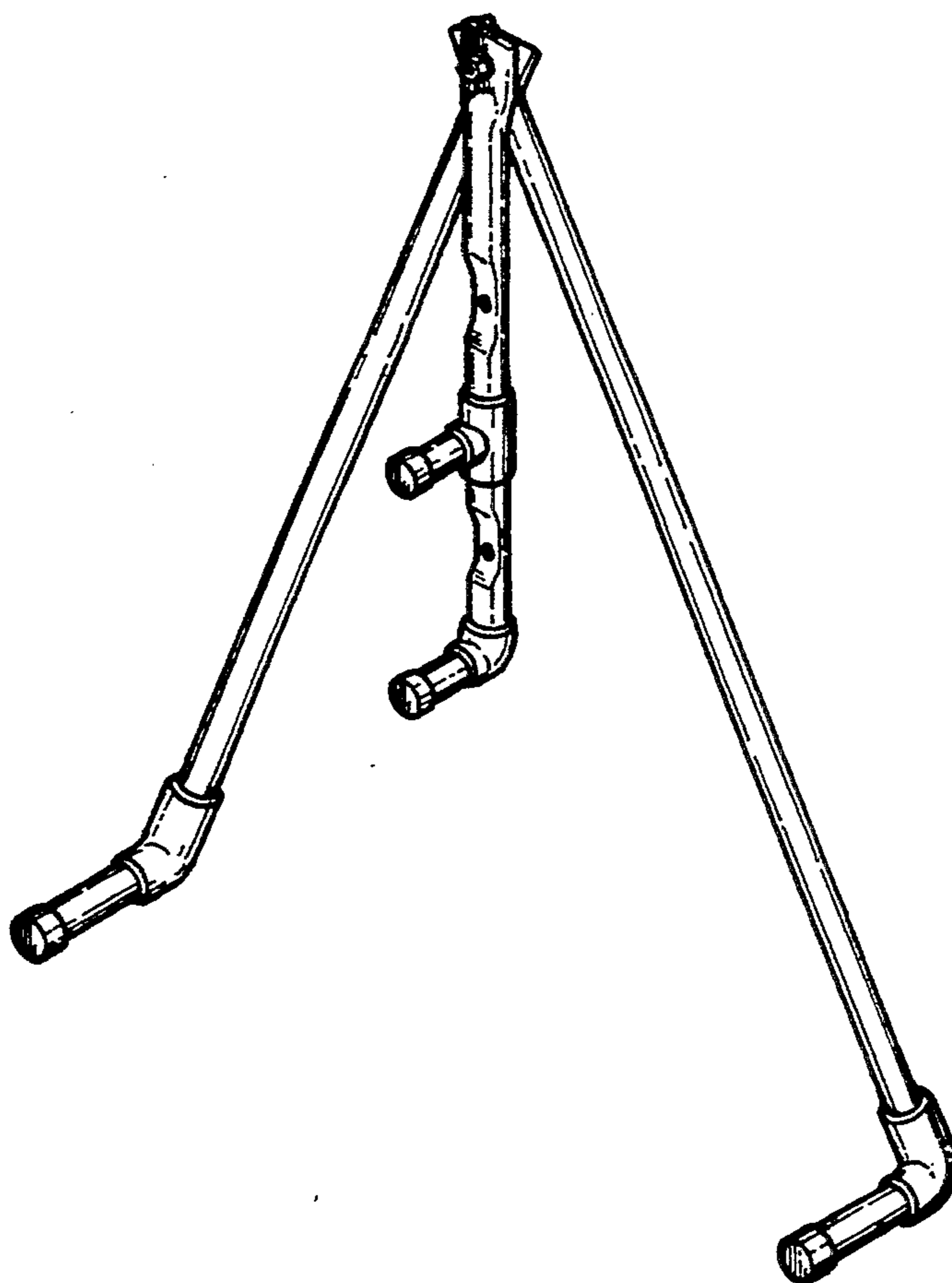
FIG. 3 is a rear elevational view thereof;

FIG. 4 is a left side elevational view thereof;

FIG. 5 is a right side elevational view thereof;

FIG. 6 is a top plan view thereof; and,

FIG. 7 is a bottom plan view thereof.



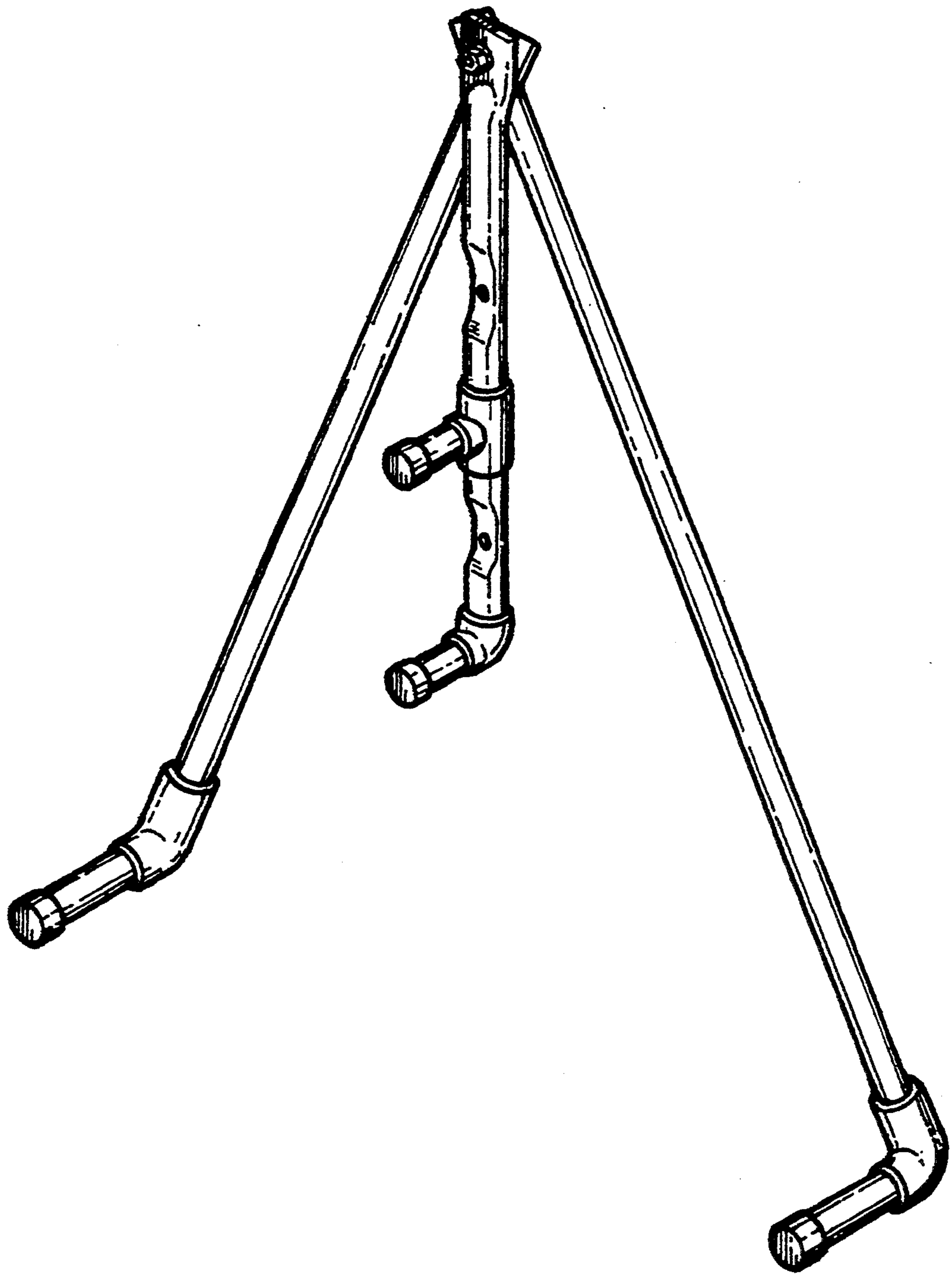


FIG. 1

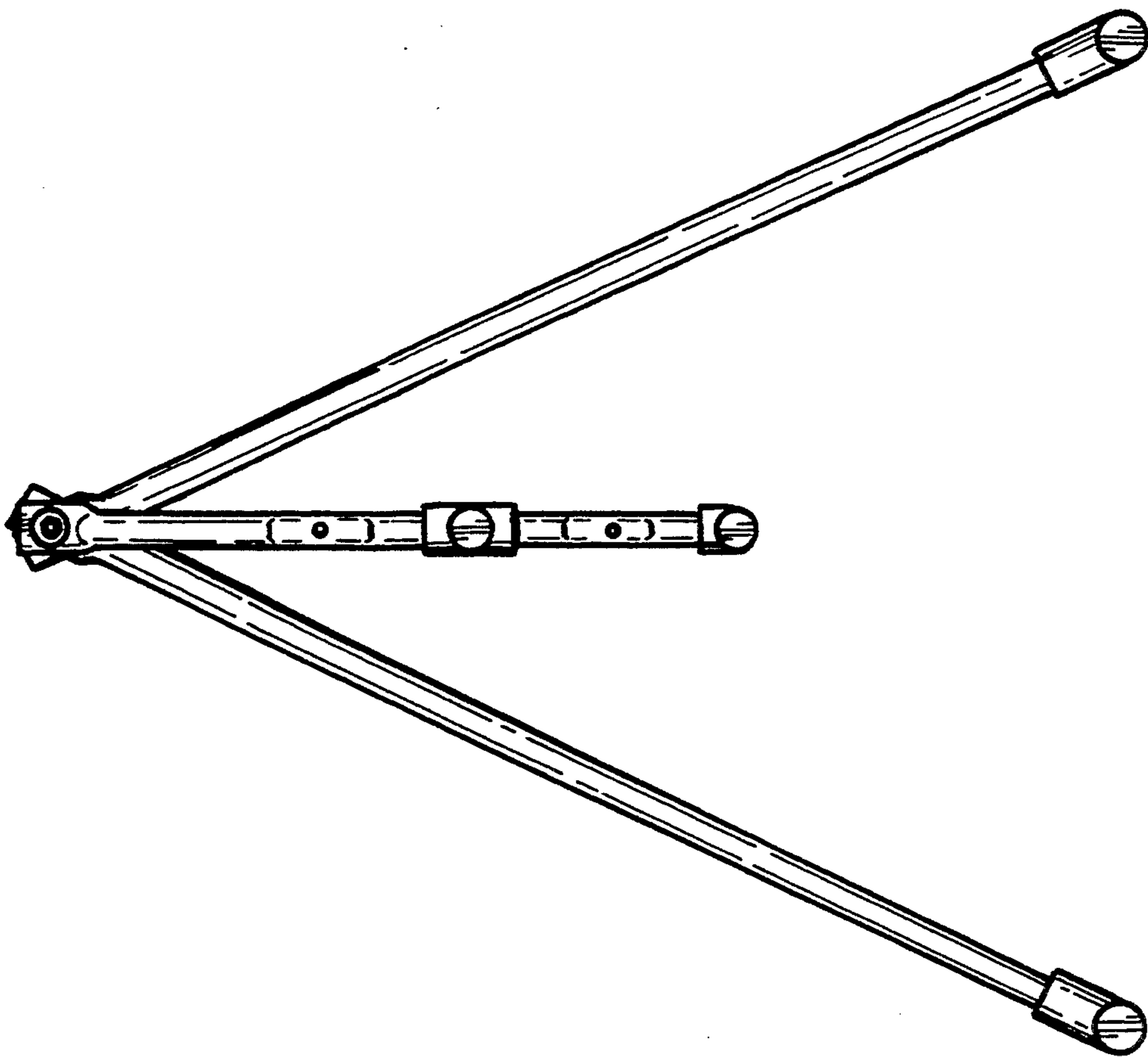


FIG. 2

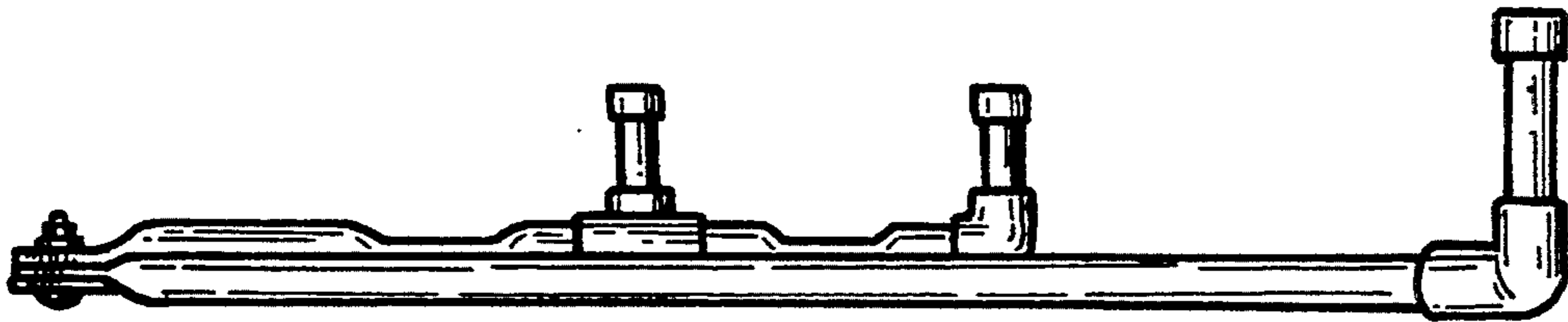


FIG. 4

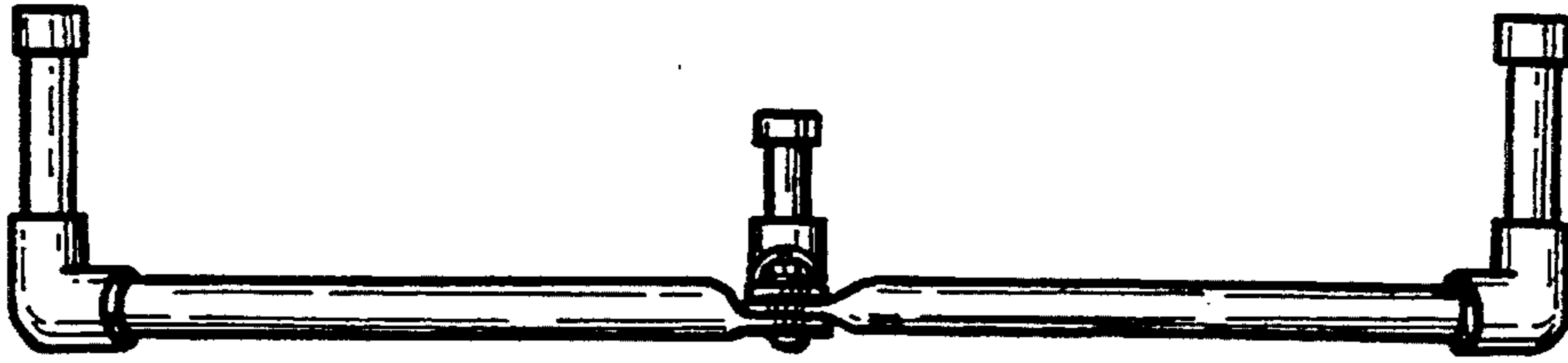


FIG. 6

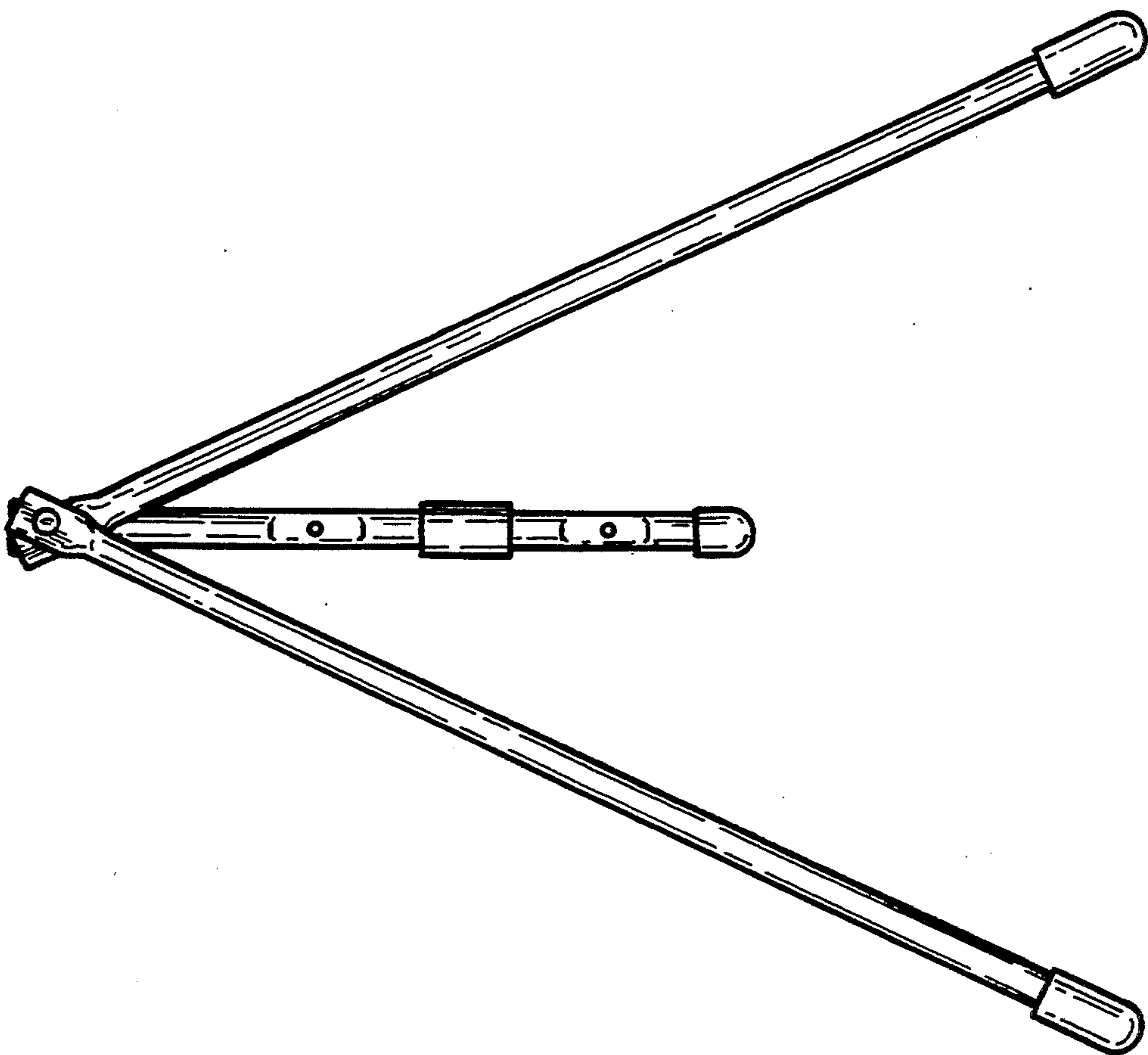


FIG. 3

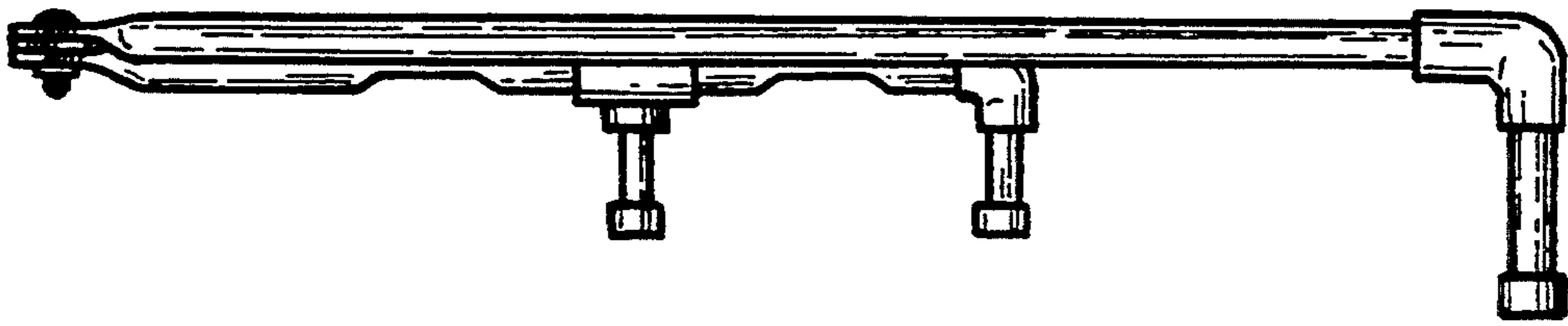


FIG. 5

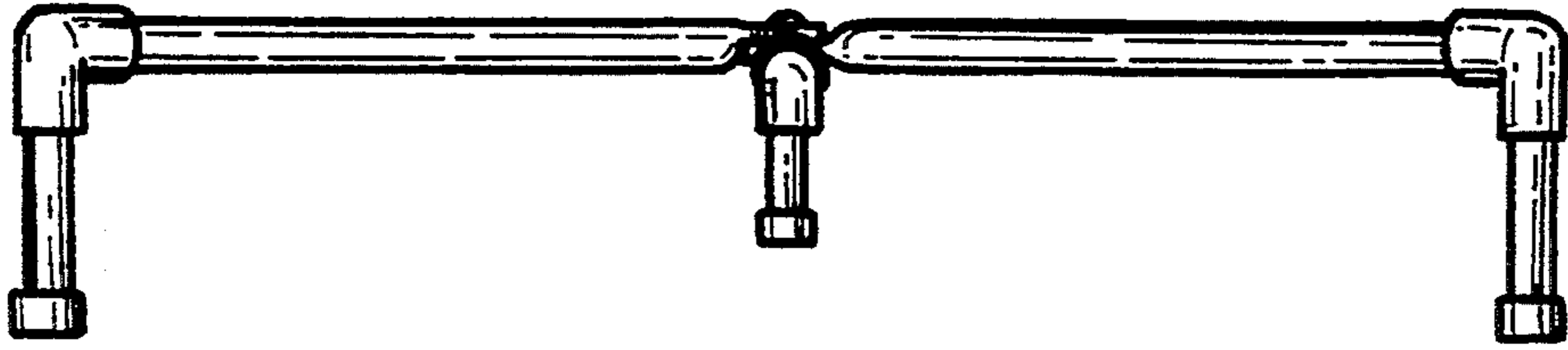


FIG. 7