



US00D359087S

United States Patent [19]

Caminos et al.

[11] Patent Number: **Des. 359,087**

[45] Date of Patent: **** Jun. 6, 1995**

[54] **SINGLE TANK WATER PISTOL**

[76] Inventors: **Frank Caminos**, 124 Christie St.,
Leonia, N.J. 07605; **Bruce M. D. Andrade**, 3 Ten Eyck Rd.,
Whitehouse Sta., N.J. 08889

[**] Term: **14 Years**

[21] Appl. No.: **10,385**

[22] Filed: **Jul. 2, 1993**

[52] U.S. Cl. **D21/147**

[58] Field of Search **D21/145-147,**
D21/13, 3; D23/223-227; D22/100, 103, 113;
446/28, 175, 267, 473; 222/78, 79; 239/211,
337, 329, 373, 332; 127/56, 65-67, 21, 27

[56] **References Cited**

U.S. PATENT DOCUMENTS

D. 347,250 5/1994 Yu **D21/147**
D. 350,575 9/1994 Caminos et al. **D21/147**

D. 350,792 9/1994 Caminos et al. **D21/147**
5,074,437 12/1991 D'Andrade et al. .
5,150,819 9/1992 Johnson et al. .

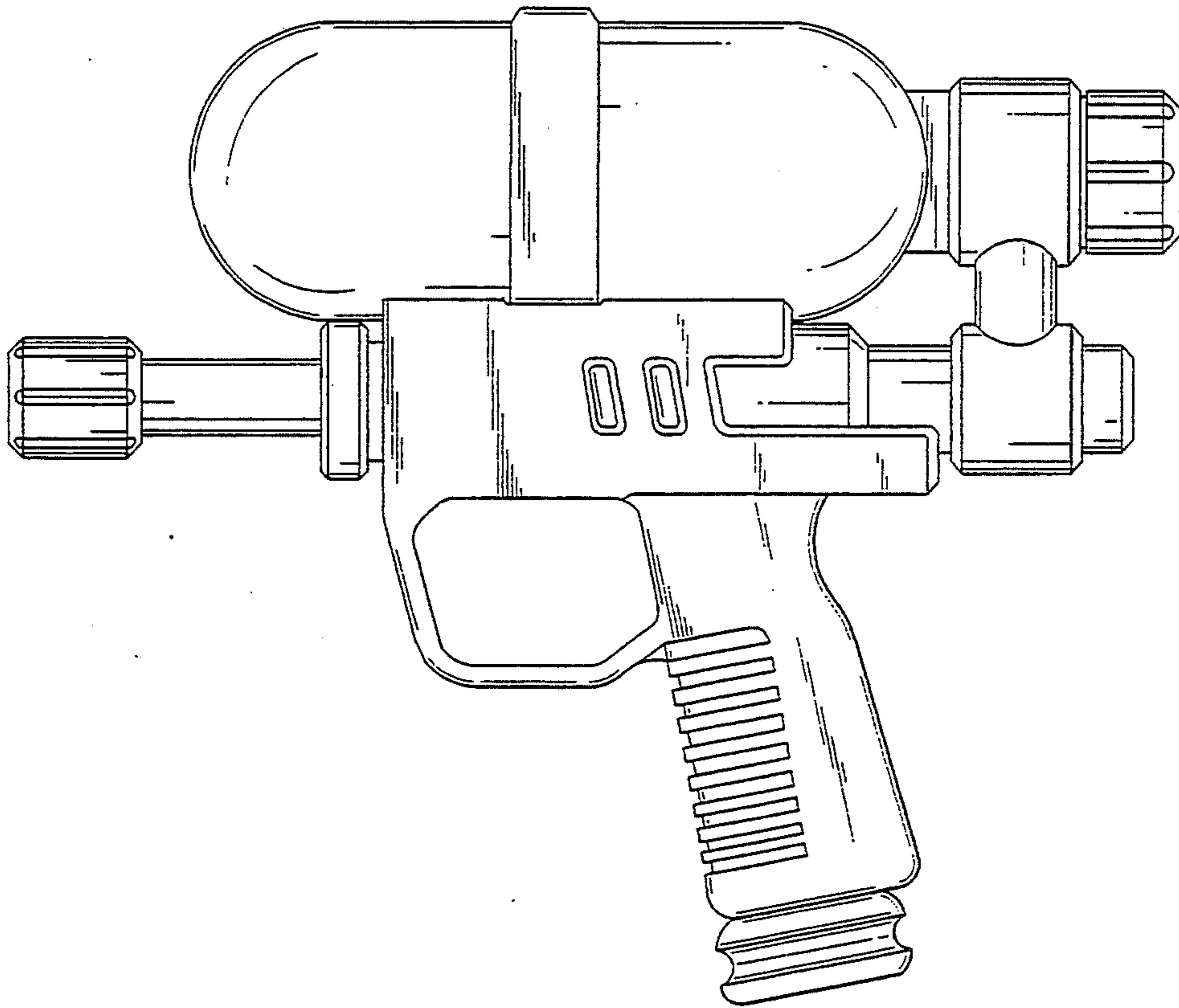
Primary Examiner—Prabhakar G. Deshmukh
Assistant Examiner—R. Barkai
Attorney, Agent, or Firm—Kenneth P. Glynn

[57] **CLAIM**

The ornamental design for a single tank water pistol, as shown and described.

DESCRIPTION

FIG. 1 is a front elevational view of a single tank water pistol showing our new design;
FIG. 2 is a rear elevational view thereof;
FIG. 3 is a left side elevational view thereof with the right side elevational view being a mirror image thereof;
FIG. 4 is a top plan view thereof; and,
FIG. 5 is a bottom plan view thereof.



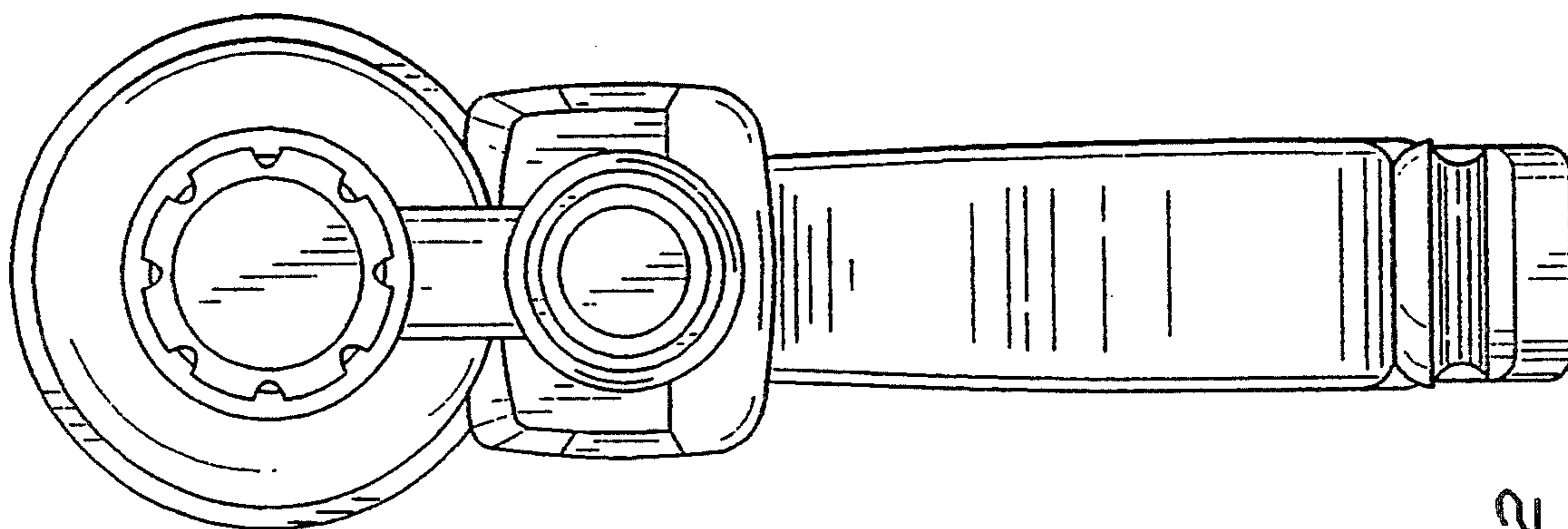


FIG. 2

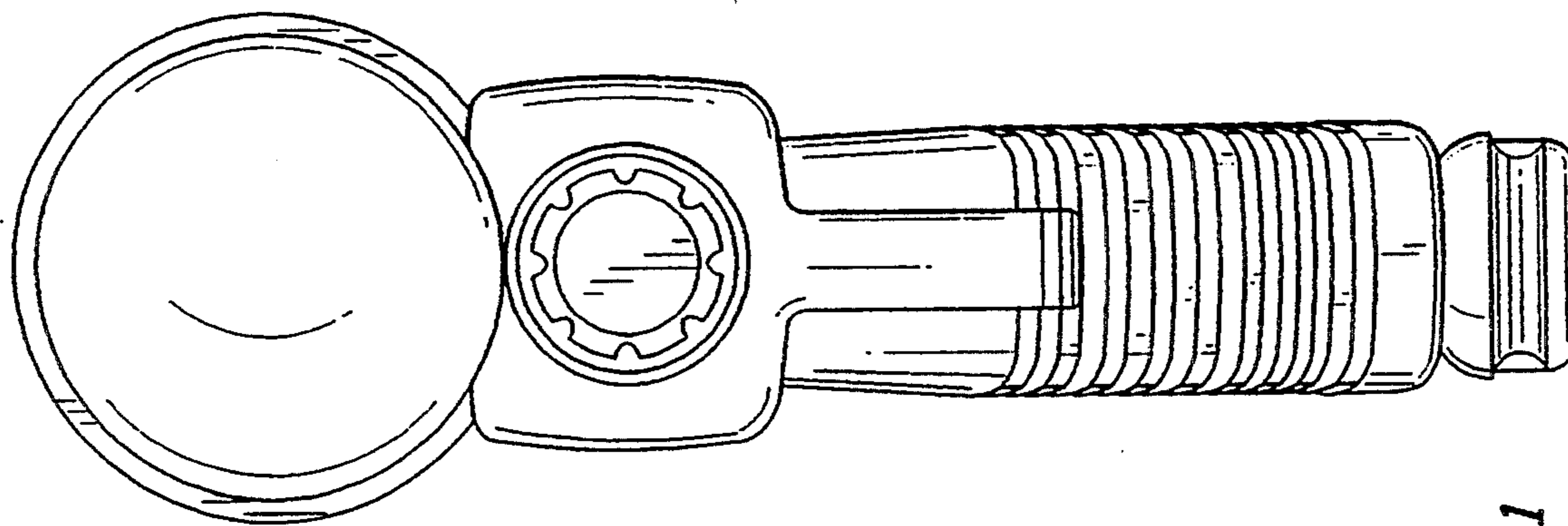


FIG. 1

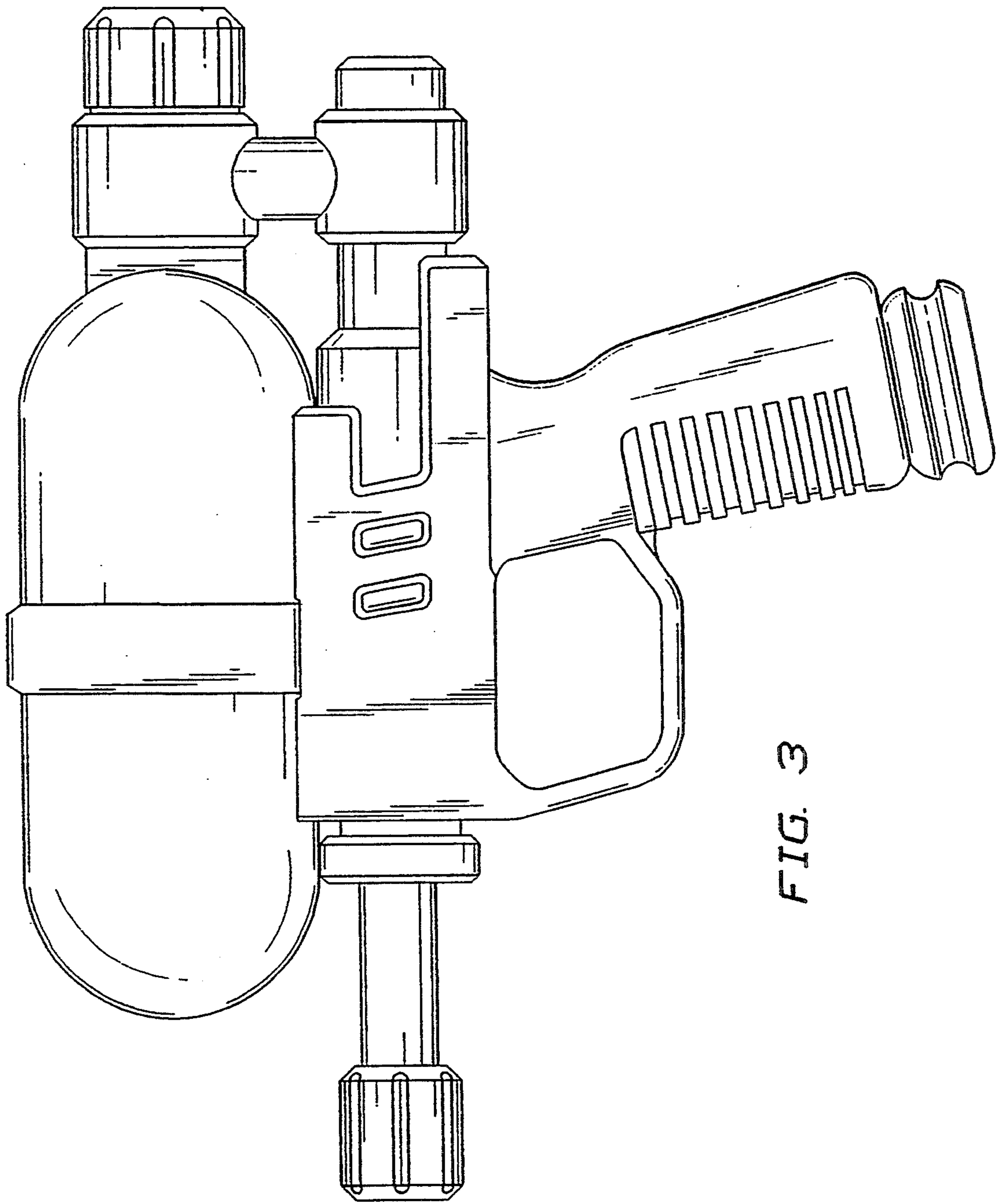


FIG. 3

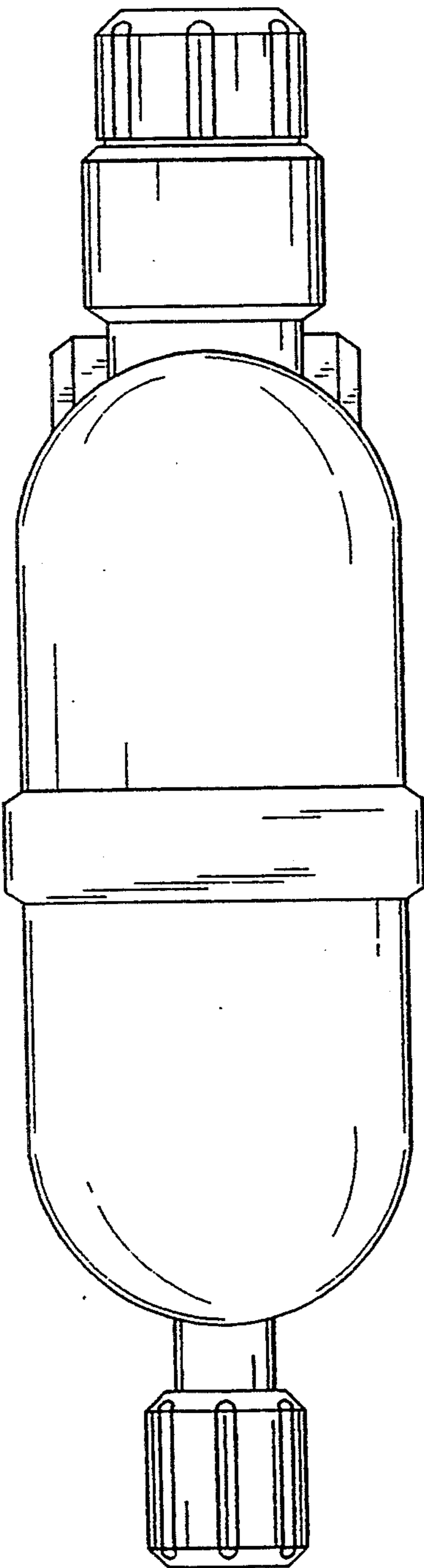


FIG. 4

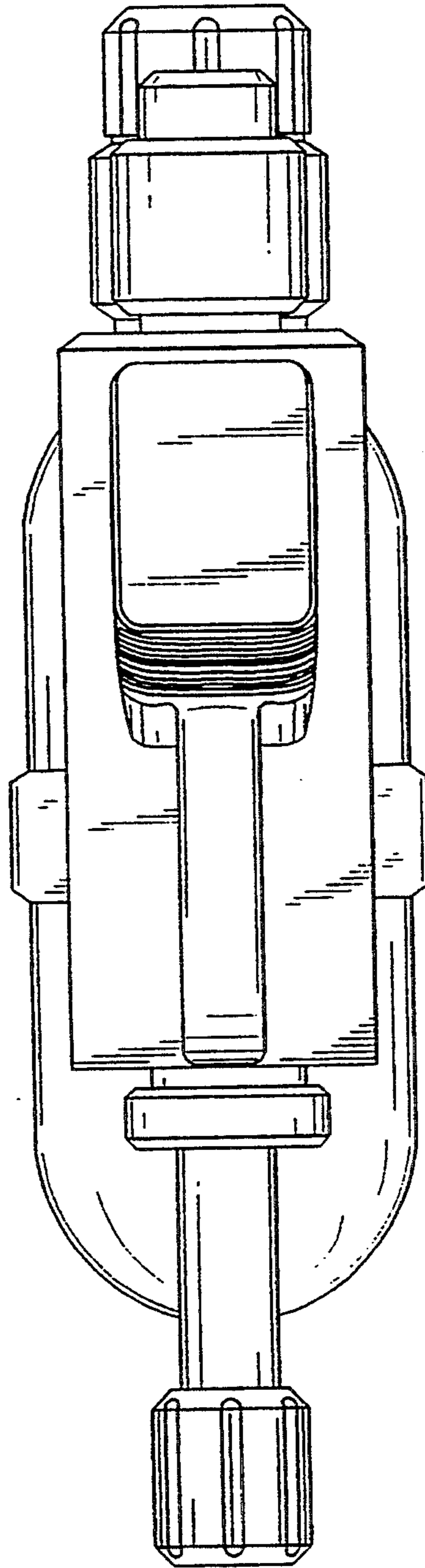


FIG. 5