



US00D359086S

United States Patent [19]

[11] Patent Number: **Des. 359,086**

Thomsen

[45] Date of Patent: **** Jun. 6, 1995**

[54] **TOY STRETCHER**

D. 234,584	3/1975	Morris	D12/6
D. 255,820	7/1980	Borden	D12/6
4,194,318	3/1980	Watanabe	446/296

[75] Inventor: **Thomas A. Thomsen**, Copenhagen K, Denmark

Primary Examiner—Terry A. Wallace
Assistant Examiner—R. Barkai
Attorney, Agent, or Firm—Kane, Dalsimer, Sullivan, Kurucz, Levy, Eisele and Richard

[73] Assignee: **Interlego AG**, Baar, Switzerland

[**] Term: **14 Years**

[57] **CLAIM**

[21] Appl. No.: **13,311**

The ornamental design for a toy stretcher, as shown and described.

[22] Filed: **Sep. 22, 1993**

[52] U.S. Cl. **D21/123**

[58] Field of Search D21/108, 109, 111, 114, D21/121, 123, 224; D12/128, 6; 446/107, 111, 116, 121, 125, 128, 141, 268, 296, 322, 323, 460, 479, 482, 490

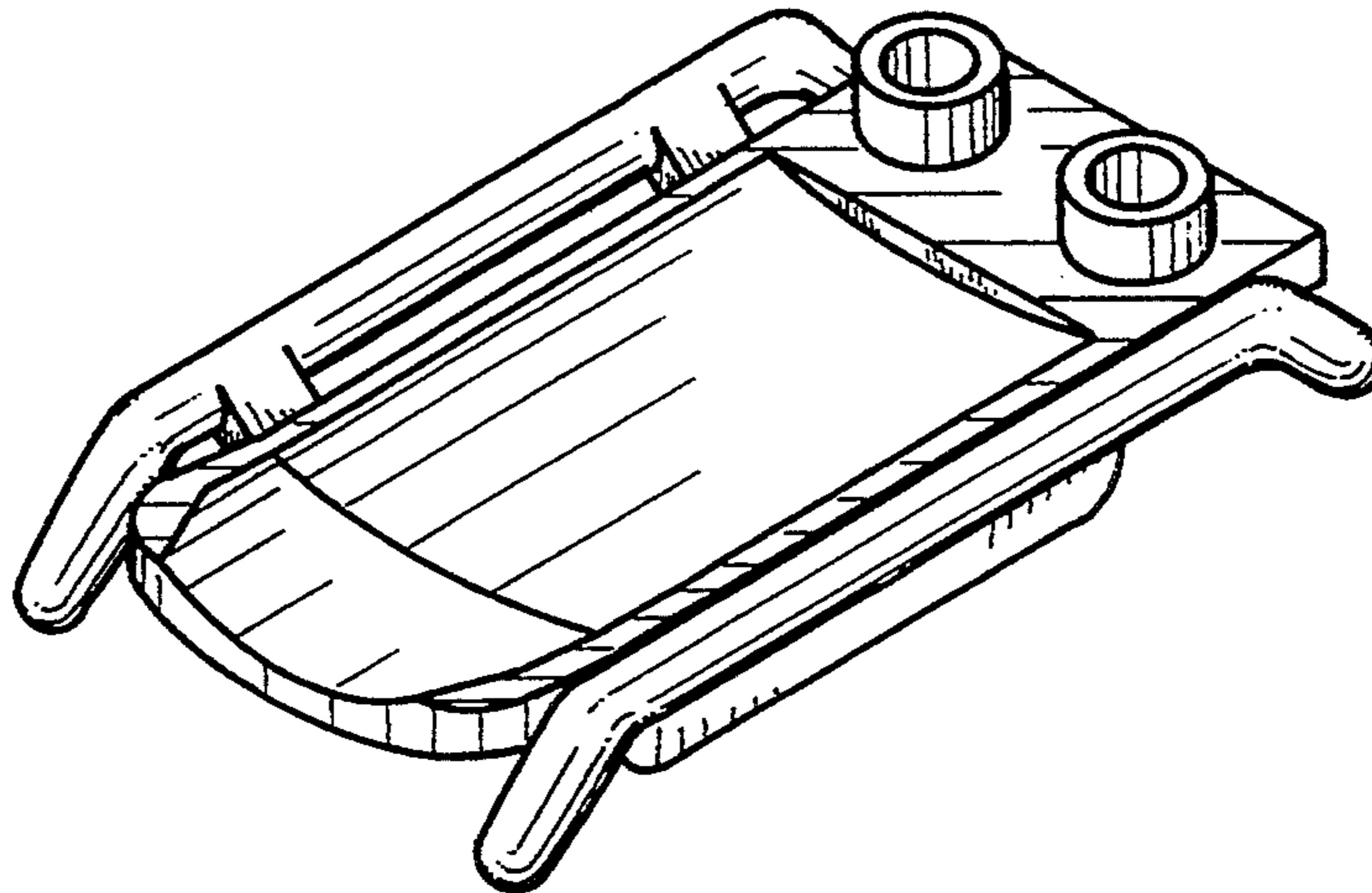
DESCRIPTION

FIG. 1 is a top perspective view of the toy stretcher showing my new design;
FIG. 2 is a bottom perspective view thereof;
FIG. 3 is a right side elevational view thereof;
FIG. 4 is a front elevational view thereof;
FIG. 5 is a left side elevational view thereof;
FIG. 6 is a rear elevational view thereof;
FIG. 7 is a top plan view thereof; and,
FIG. 8 is a bottom plan view thereof.

[56] **References Cited**

U.S. PATENT DOCUMENTS

D. 95,466	4/1935	Stone	D21/224
D. 219,211	11/1970	Nixon	D12/6
D. 226,814	5/1973	Gaylord	D12/6



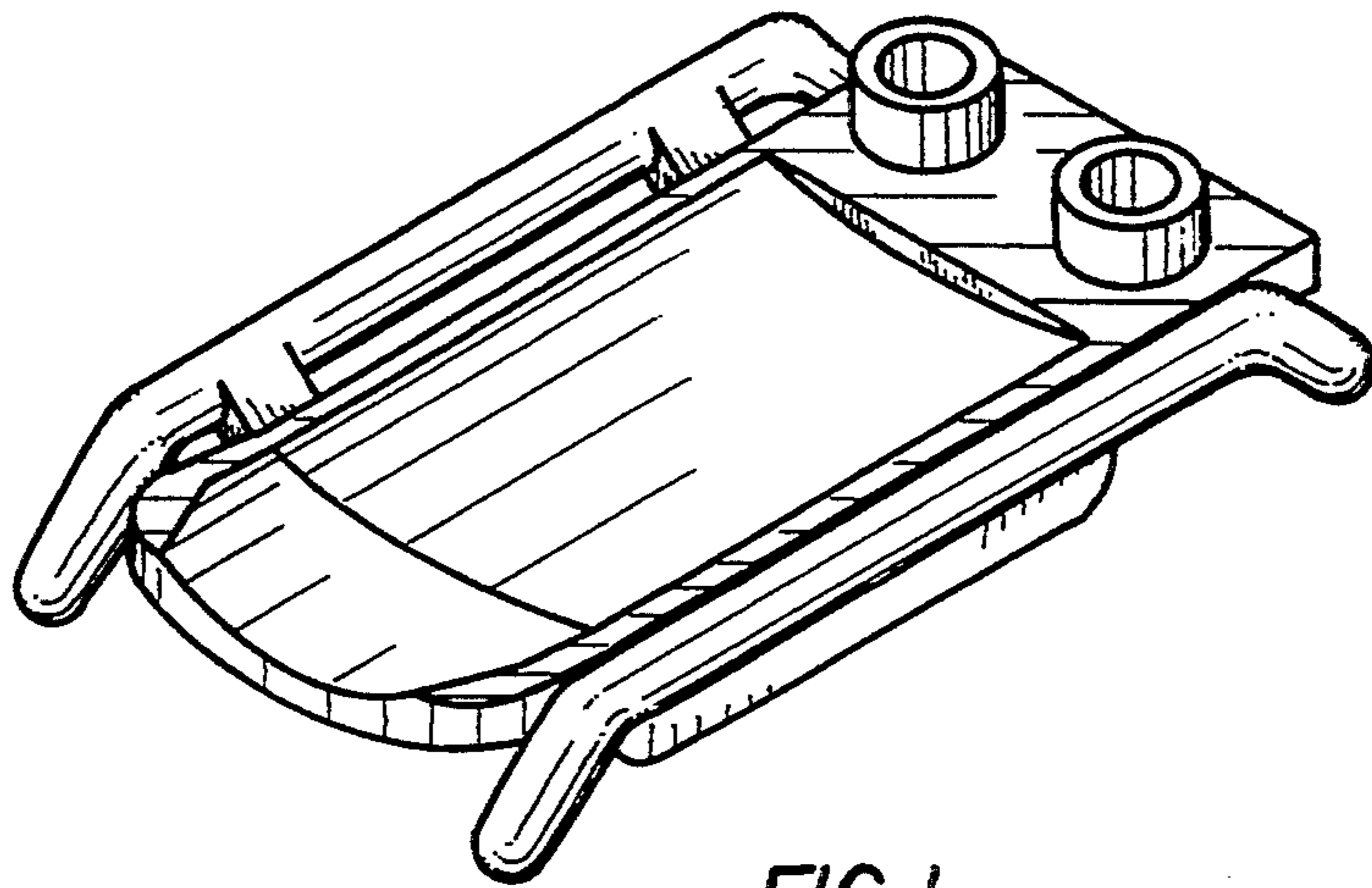


FIG. 1

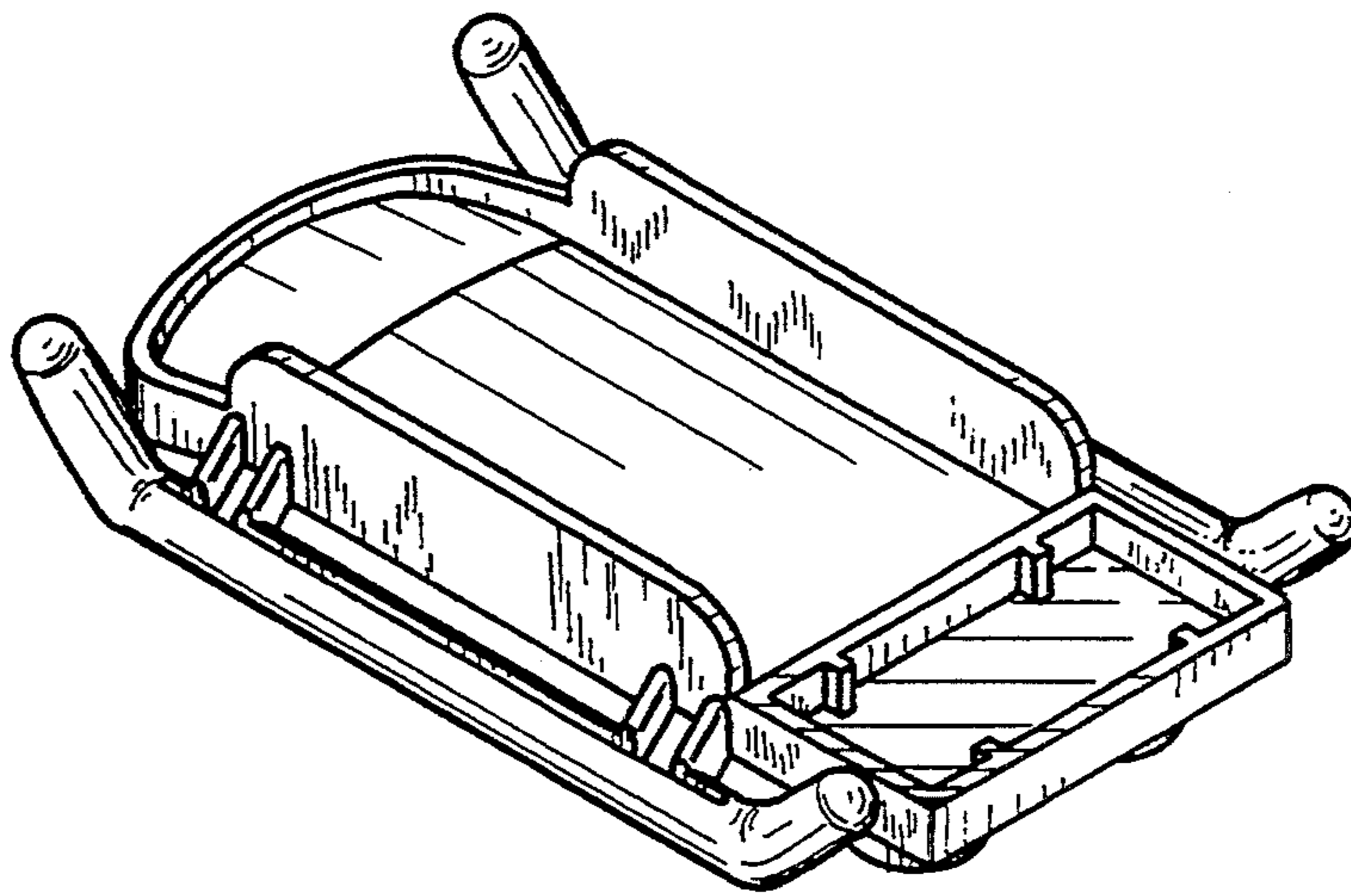


FIG. 2

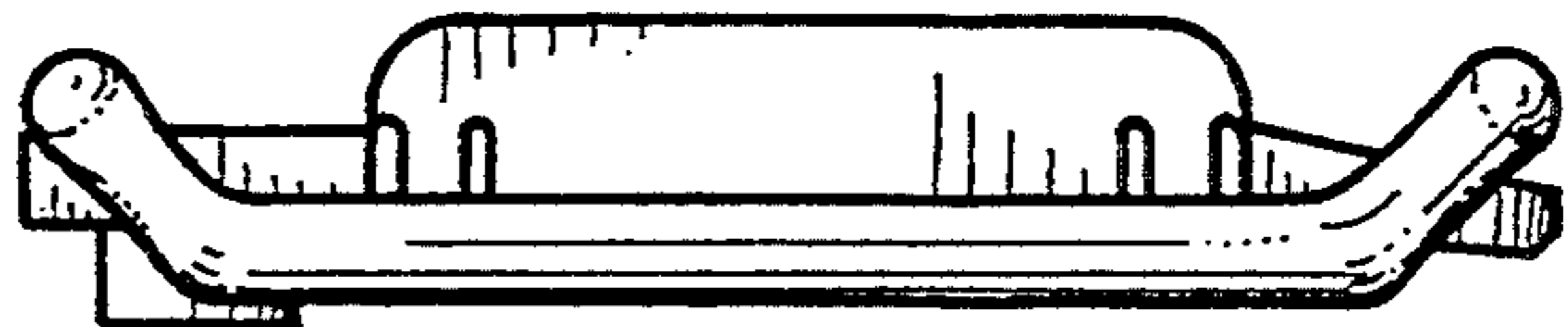


FIG. 5

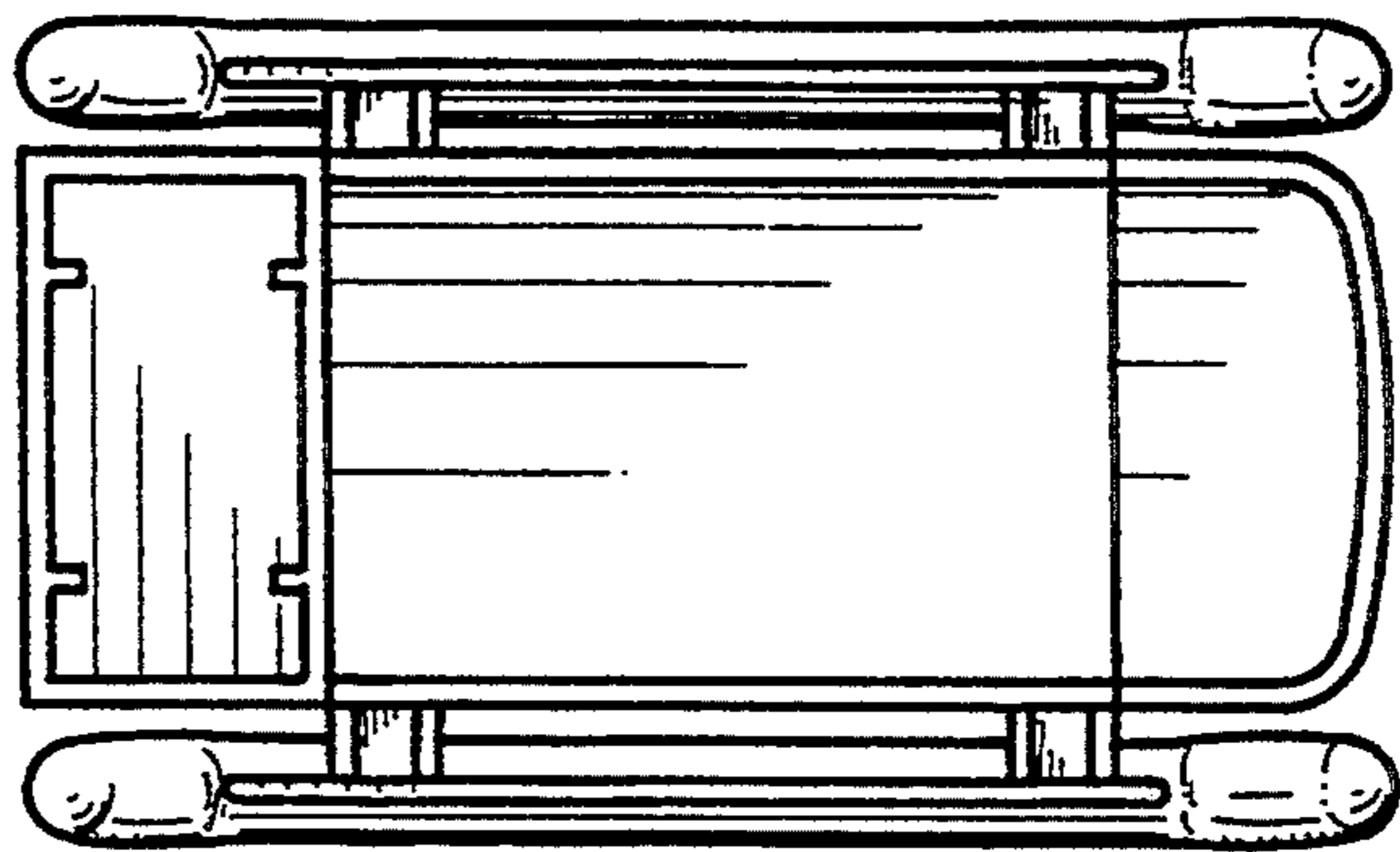


FIG. 8

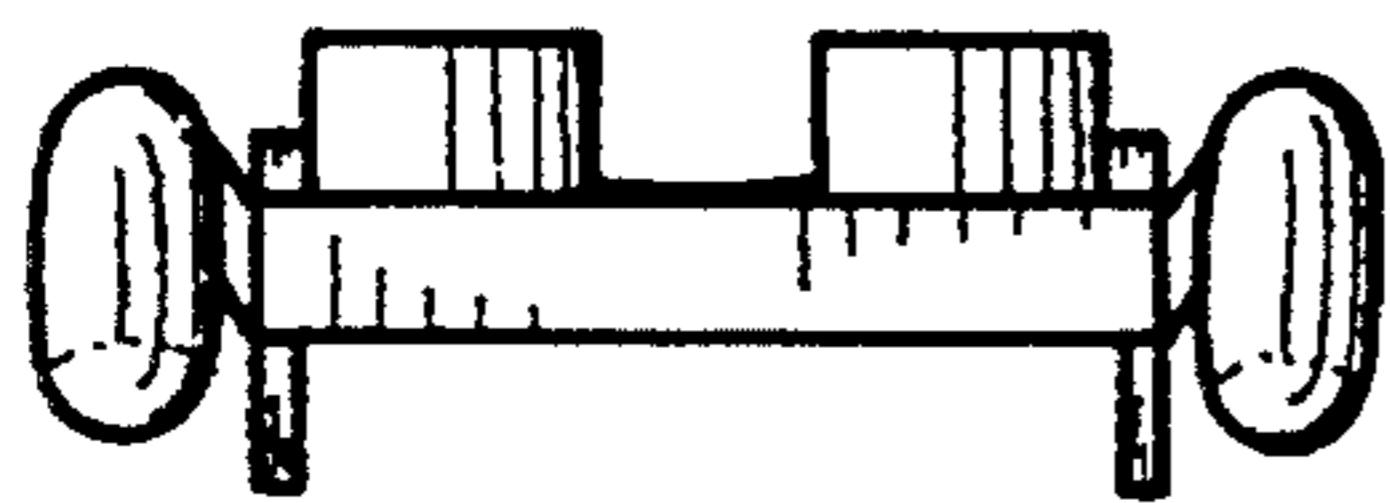


FIG. 6

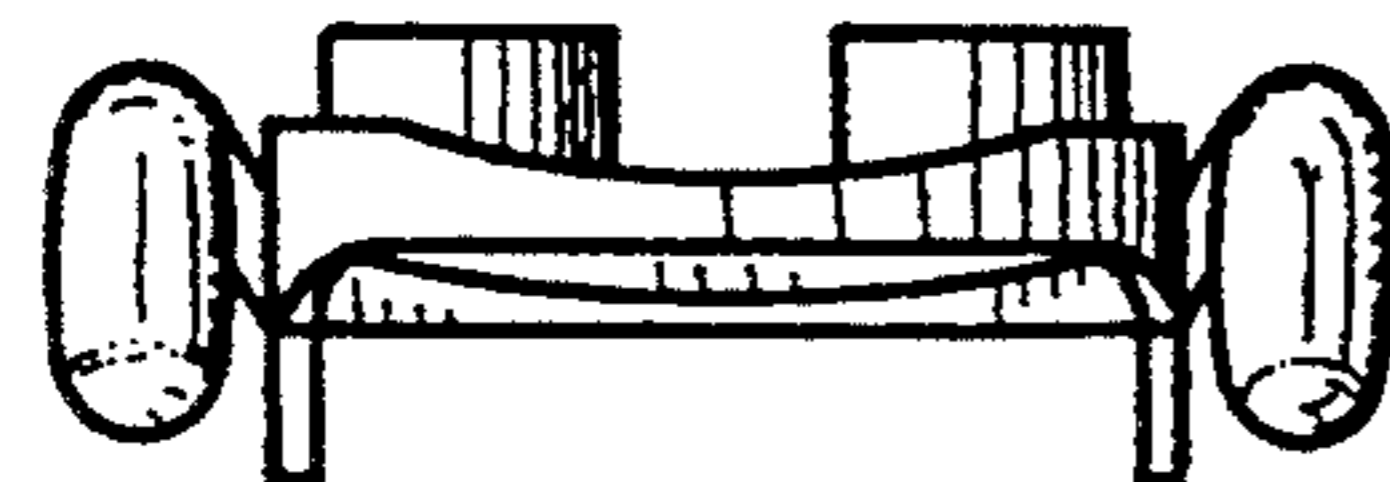


FIG. 4

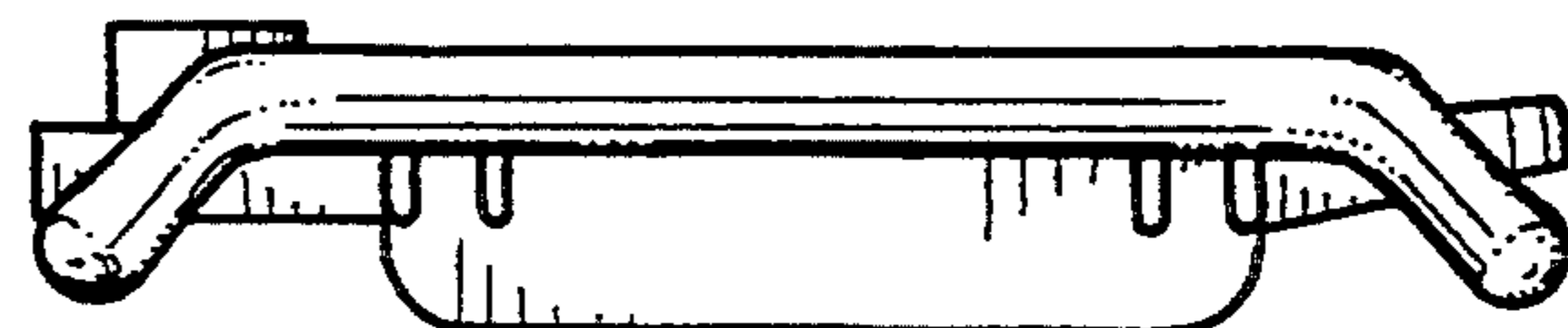


FIG. 3

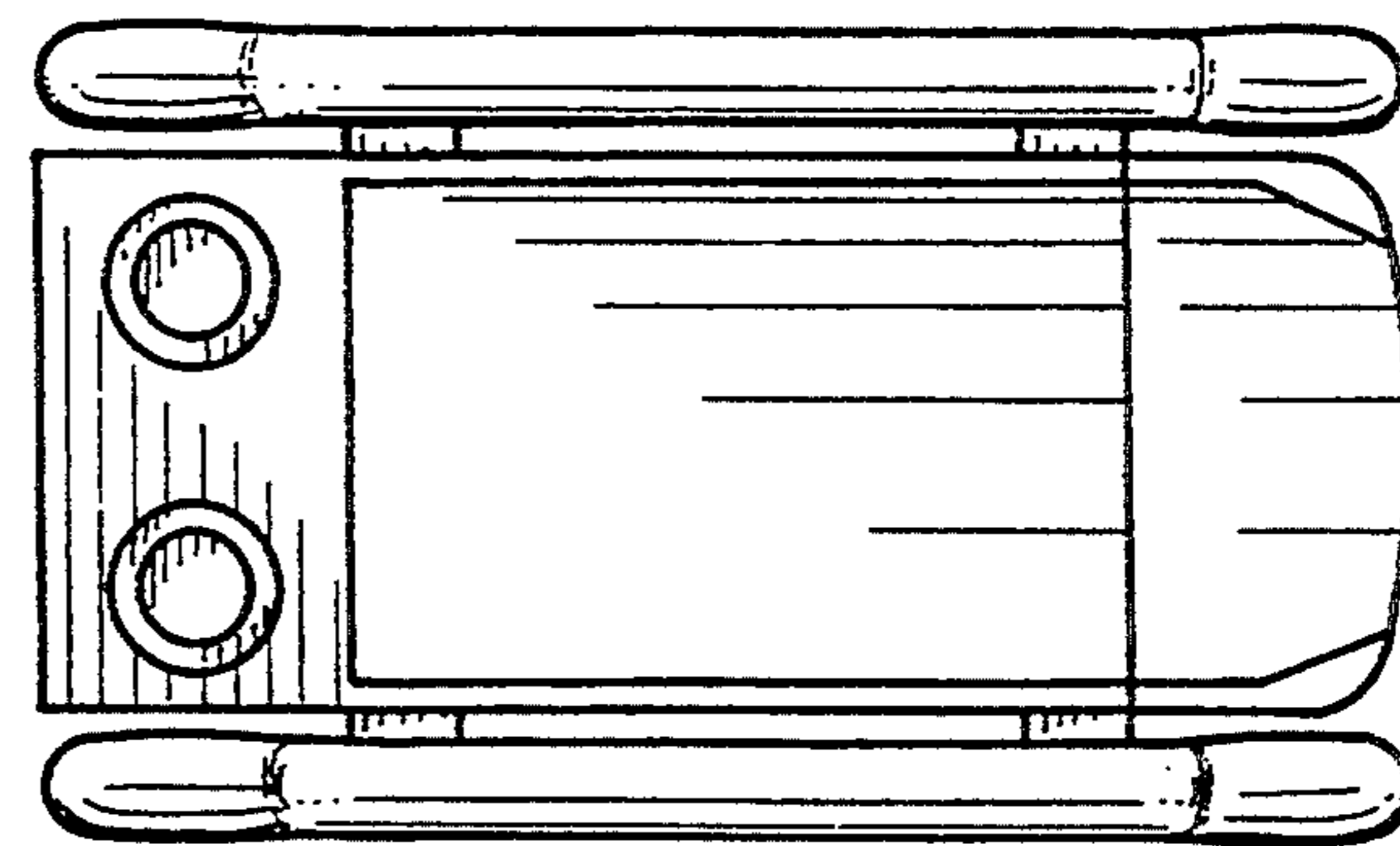


FIG. 7