



US00D359085S

United States Patent [19]

[11] Patent Number: **Des. 359,085**

Gierahn et al.

[45] Date of Patent: **** Jun. 6, 1995**

[54] TABLE FOR A TOY BUILDING SET

[75] Inventors: **Pernille A. Gierahn, Hørsholm; Lotte M. Nielsen, Copenhagen, both of Denmark**

[73] Assignee: **Interlego AG, Baar, Switzerland**

[**] Term: **14 Years**

[21] Appl. No.: **13,297**

[22] Filed: **Sep. 22, 1993**

[52] U.S. Cl. **D21/123**

[58] Field of Search **D21/108, 109, 111, 114, D21/121, 123; D6/480, 334, 381; D12/6; 446/107, 111, 116, 121, 125, 128, 141, 268, 296, 322, 323, 460, 479, 482, 490**

[56] References Cited

U.S. PATENT DOCUMENTS

D. 59,660	11/1921	Kern	D21/121
992,337	5/1911	Butler	D21/114
1,328,921	1/1920	Howe	D21/121
4,818,233	4/1989	Behan	446/479

FOREIGN PATENT DOCUMENTS

133178 5/1933 Germany 446/479

OTHER PUBLICATIONS

"Constructive Playthings" 1991 p. 6, Table upper left of page.

Primary Examiner—Terry A. Wallace

Assistant Examiner—R. Barkai

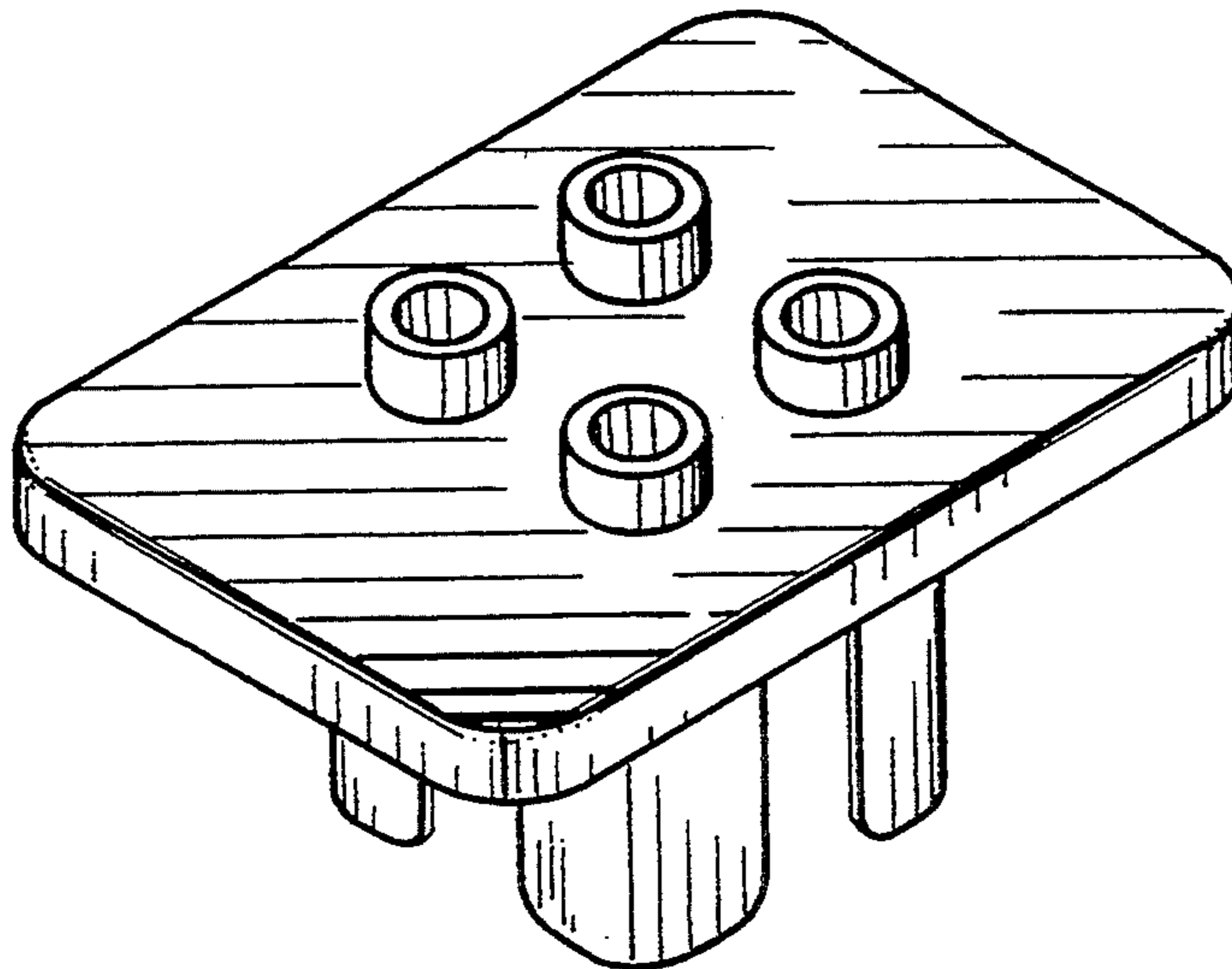
Attorney, Agent, or Firm—Kane, Dalsimer, Sullivan, Kurucz, Levy, Eisele and Richard

[57] CLAIM

The ornamental design for a table for a toy building set, as shown and described.

DESCRIPTION

FIG. 1 is a top perspective view of a table for a toy building set showing our new design;
 FIG. 2 is a bottom perspective view thereof;
 FIG. 3 is a front elevational view thereof, the rear side being identical;
 FIG. 4 is a right side elevational view thereof, the left side being identical;
 FIG. 5 is a top plan view thereof; and,
 FIG. 6 is a bottom plan view thereof.



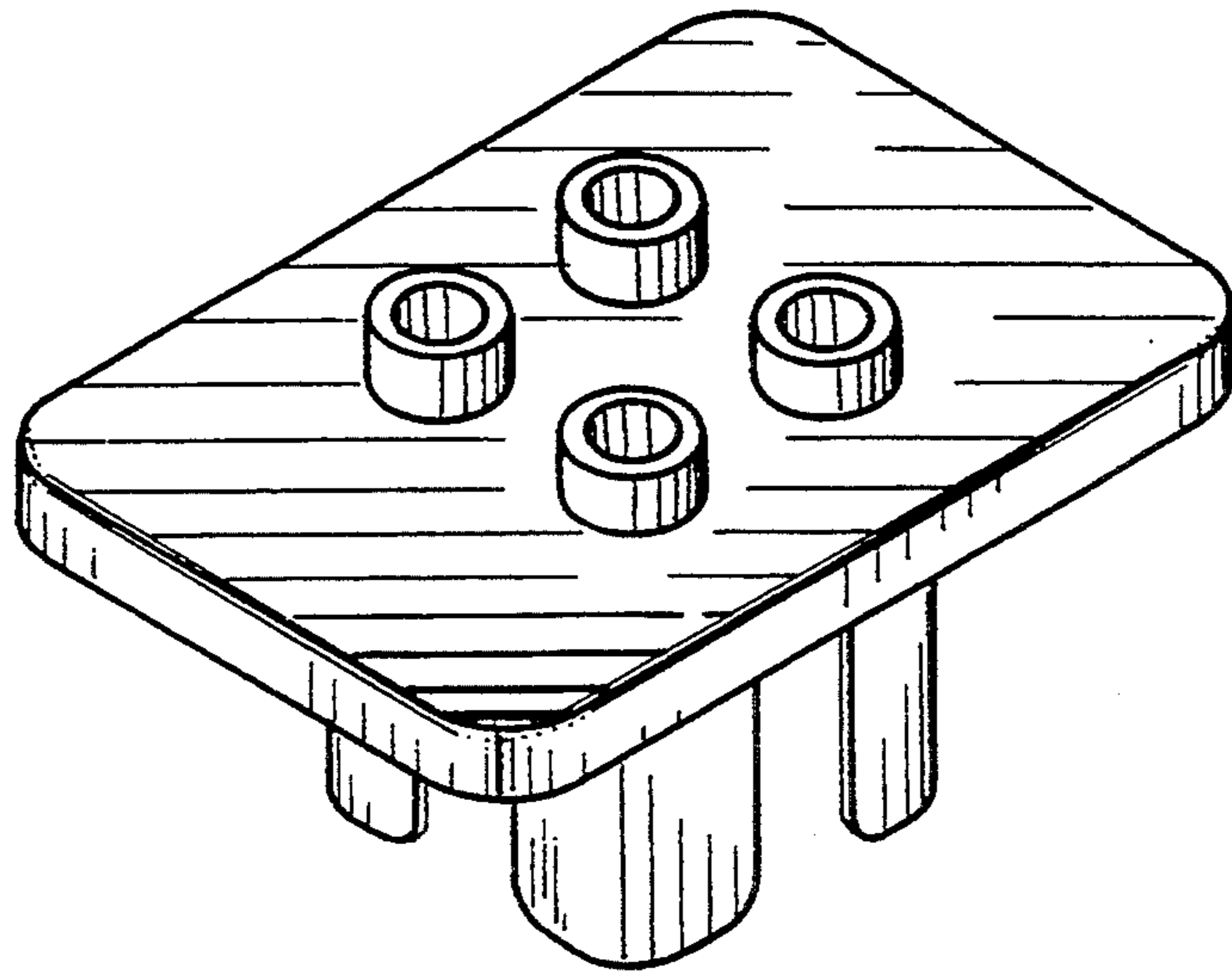


FIG. 1

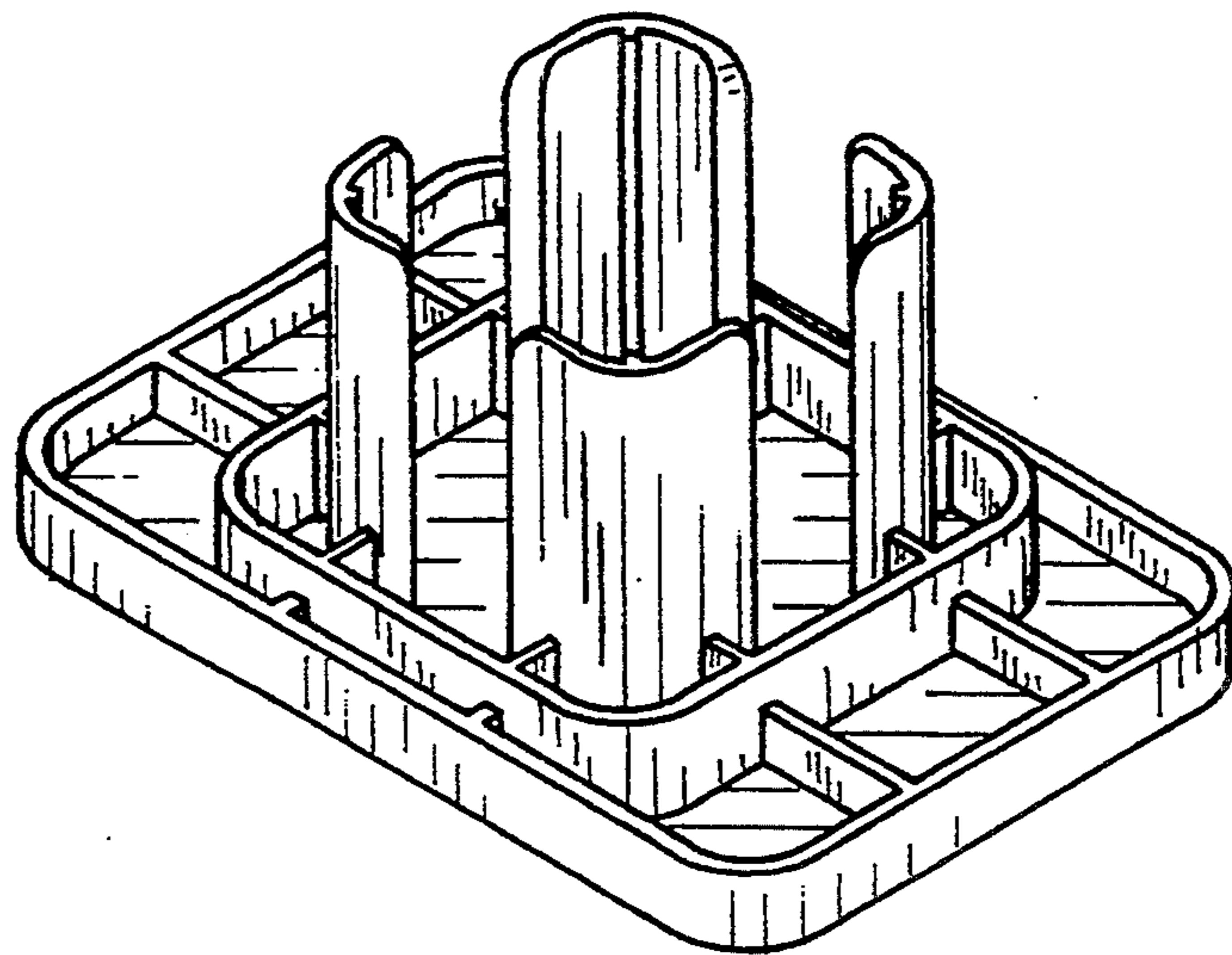


FIG. 2

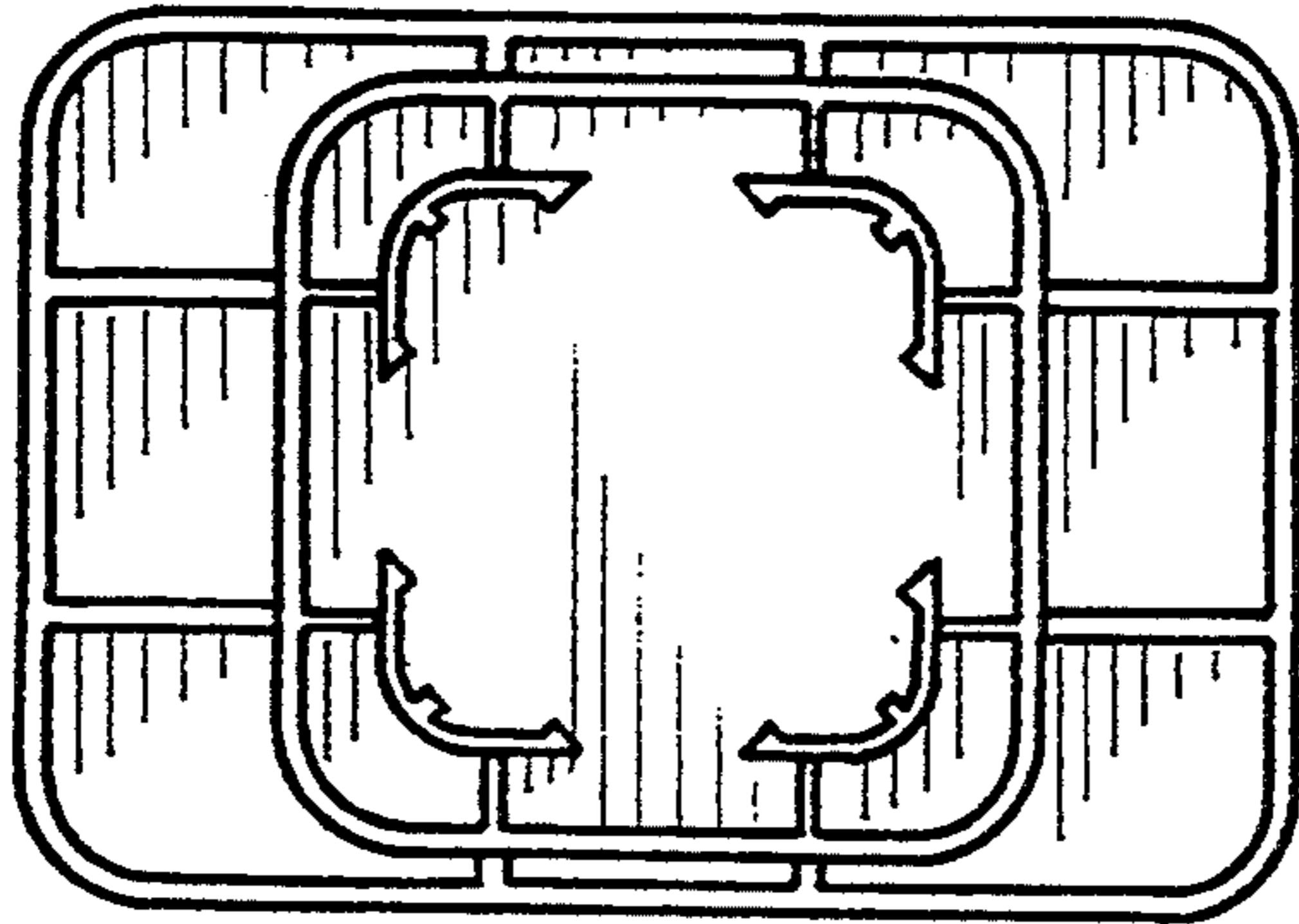


FIG. 6

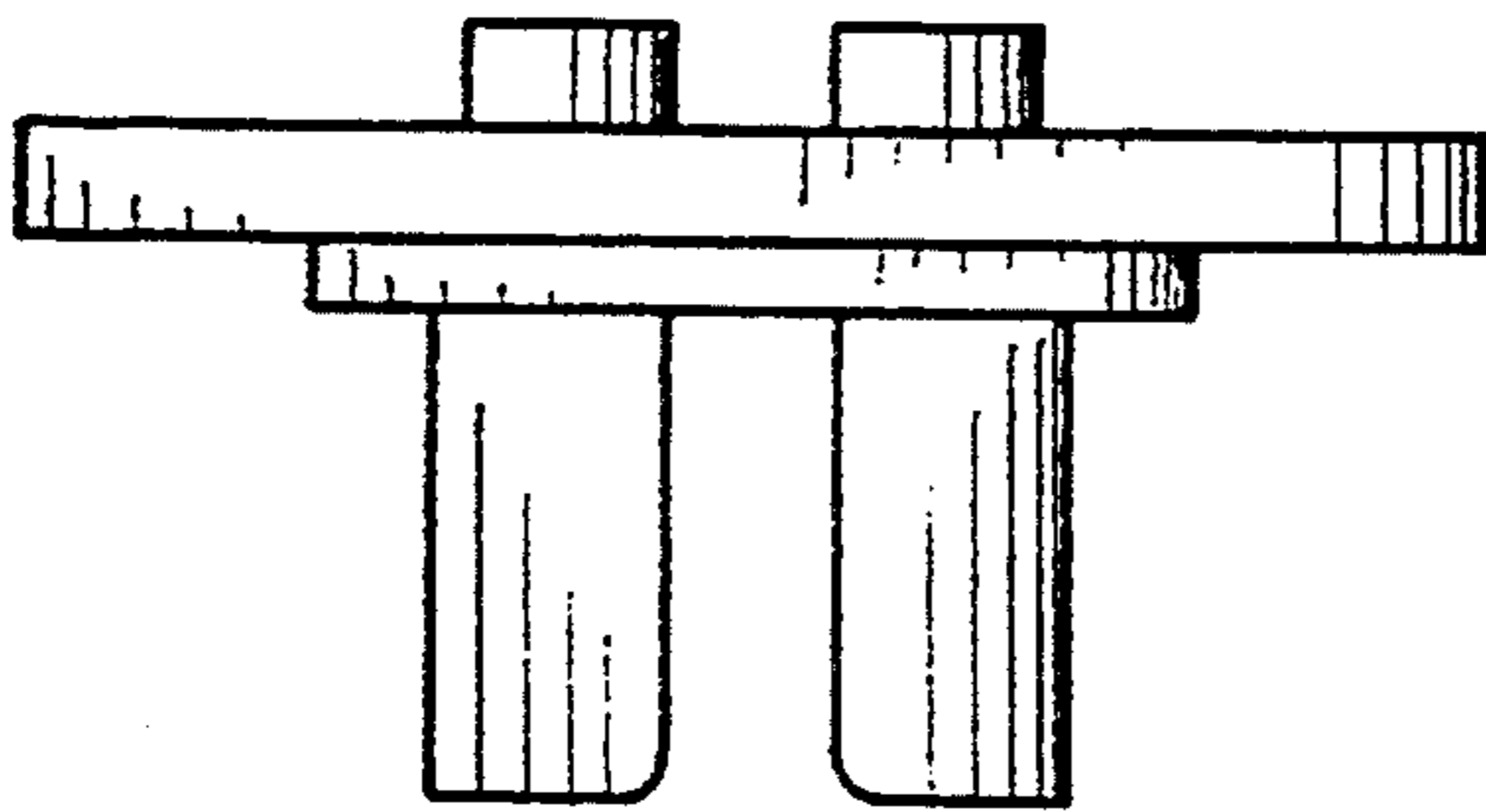


FIG. 4

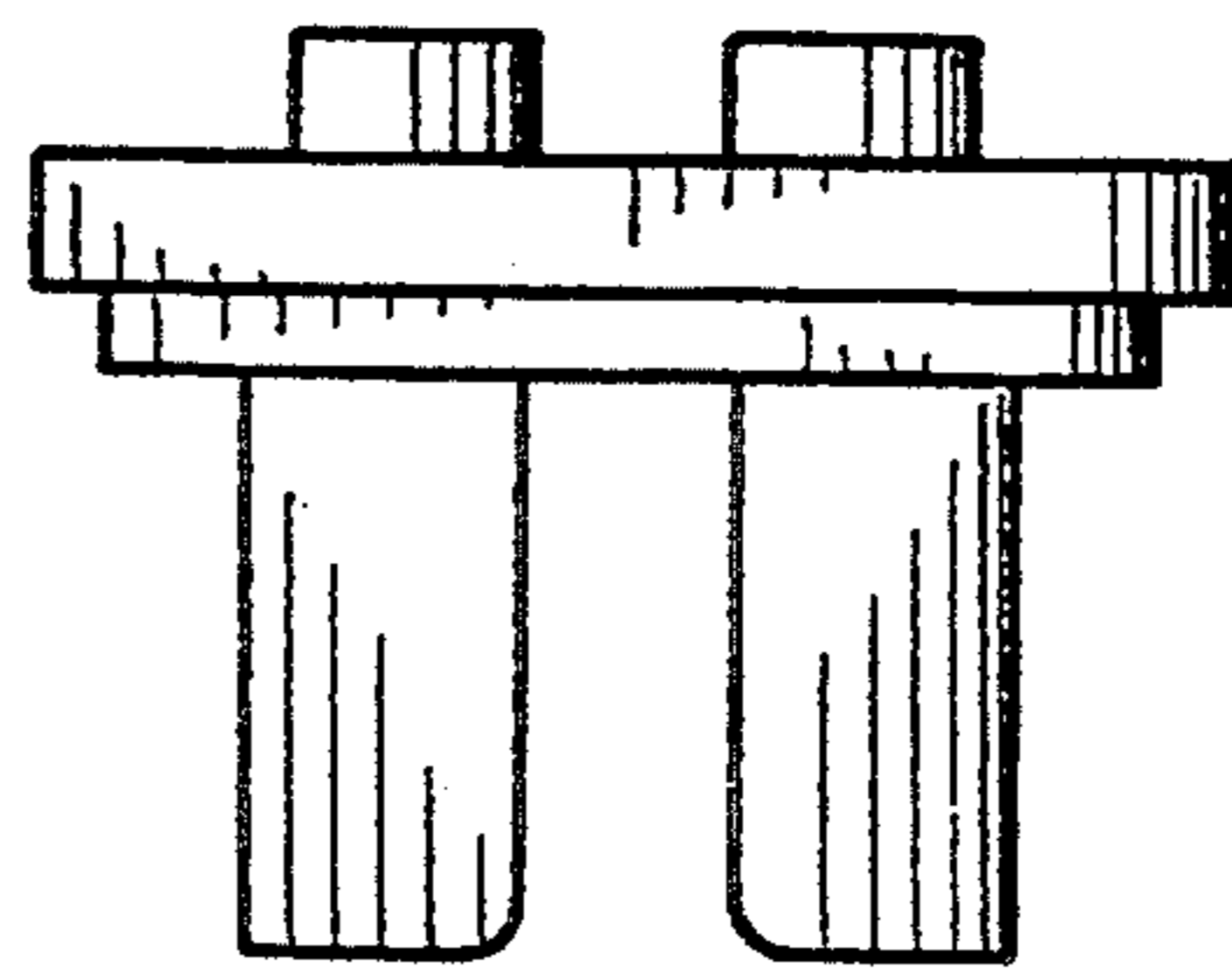


FIG. 3

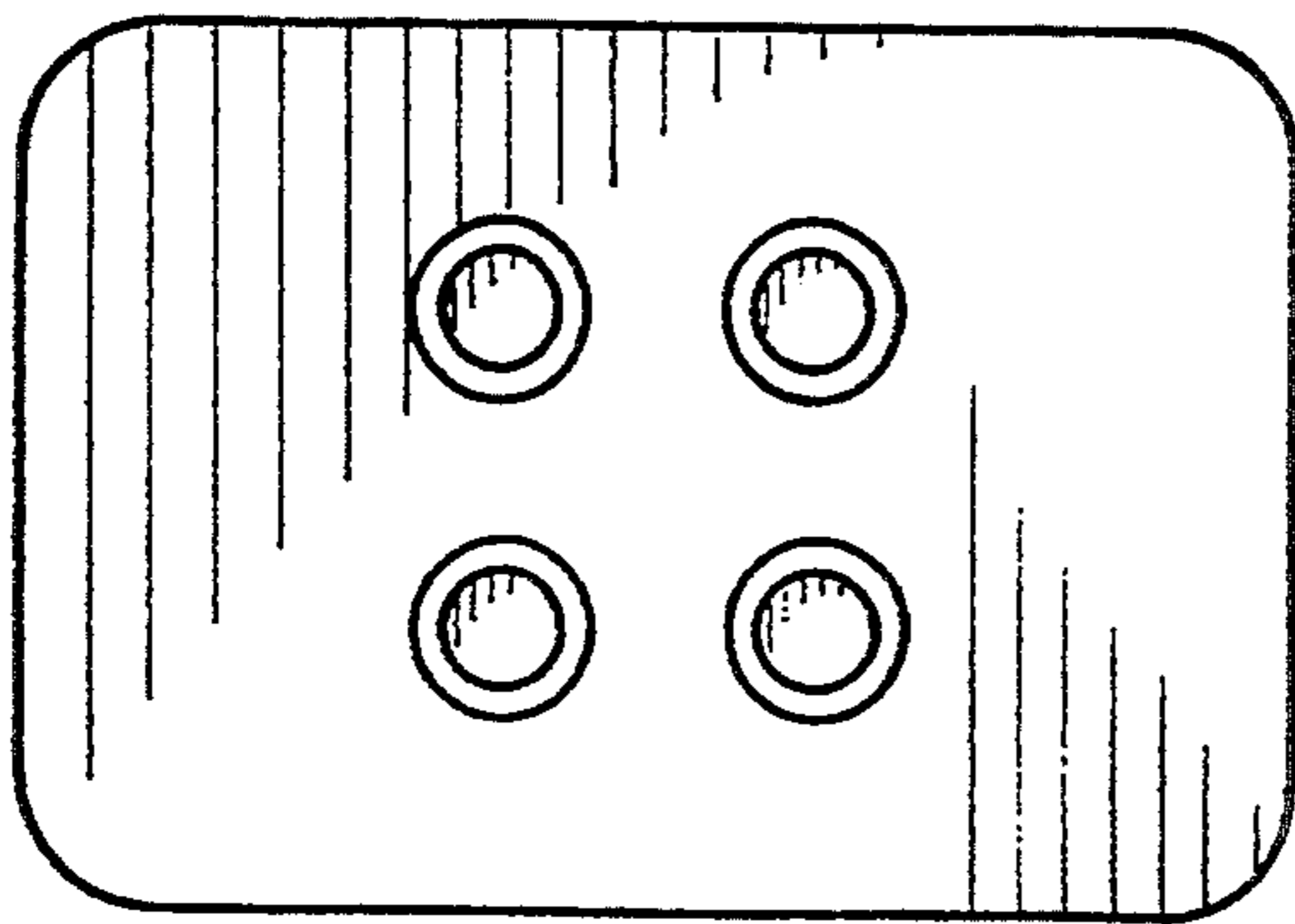


FIG. 5