



US00D359082S

# United States Patent [19]

[11] Patent Number: **Des. 359,082**

Aker et al.

[45] Date of Patent: **\*\* Jun. 6, 1995**

[54] TOY RACE CAR

4,695,267 9/1987 Simmel et al. .... 446/462

[75] Inventors: **Kevin R. Aker**, Hudson, Ohio;  
**Maarten Van Huystee**, East Aurora, N.Y.

### OTHER PUBLICATIONS

[73] Assignee: **The Little Tikes Company**, Hudson, Ohio

“Just For Kids” Catalog Fall '90 p. 9 Race Car Top of Page.

[\*\*] Term: **14 Years**

P. 7, Toy cars; SLM International, Inc., 200 Fifth Avenue, New York, N.Y. Publication date 1991.

[21] Appl. No.: **27,283**

Pp. 16 and 22, Toy cars; Mattel, Inc., El Segundo, Calif. 90245. Publication date 1992.

[22] Filed: **Aug. 17, 1994**

Pp. 13, 24 and 47, Toy race cars; Tyco Toys, Inc., 6000 Midlantic Drive, Mount Laurel, N.J. 08054. Publication date 1993.

[52] U.S. Cl. .... **D21/78**

P. 16, Toy car; Fisher-Price, 620 Girard Avenue, East Aurora, N.Y. 14052-1879. Publication date 1993.

[58] Field of Search ..... **D21/69-70, D21/71, 73-79, 128, 132, 134, 136, 137, 141; 446/427, 428, 456, 465, 470; 280/1.13, 8.28, 87.021**

Pp. 70, 128 and 130; Toy race cars and race car beds; The Little Tikes Company, 2180 Barlow Road, Hudson, Ohio 44236. Publication date 1993.

### [56] References Cited

*Primary Examiner*—Terry A. Wallace

*Assistant Examiner*—R. Barkai

*Attorney, Agent, or Firm*—Richard B. O'Planick; Lisa B. Riedesel

#### U.S. PATENT DOCUMENTS

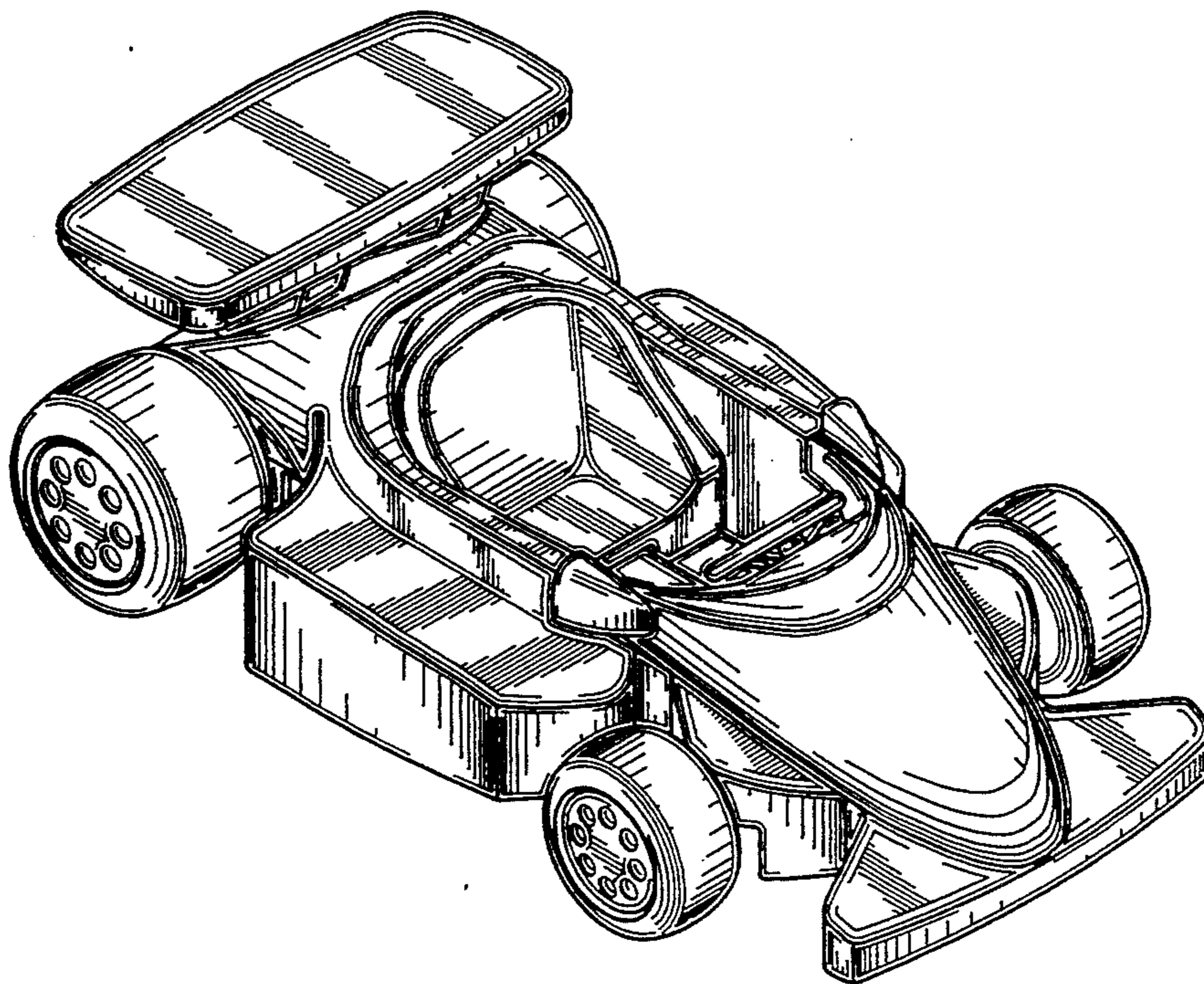
D. 111,248	9/1938	Forman .	
D. 203,843	2/1966	Campbell .....	D21/78
D. 219,161	11/1970	Chapman .....	D21/137
D. 253,605	12/1979	Herd .....	D21/137
D. 256,150	7/1980	Lofton .....	D21/76
D. 261,912	11/1981	Breneman .....	D21/137
D. 264,608	5/1982	Mariol .....	D21/78
D. 266,799	11/1982	Appel et al. ....	D21/137
D. 269,098	5/1983	Mariol .....	D21/78
D. 303,776	10/1989	Aker .....	D12/108
D. 311,760	10/1990	Harrod .....	D21/78
D. 315,932	4/1991	Berggren .....	D21/128
D. 322,998	1/1992	Harrod .....	D21/78
D. 328,479	8/1992	Wakimura .....	D21/136
3,910,598	10/1975	Robinson .....	280/828
3,914,898	10/1975	Ferguson .....	446/470
4,682,668	7/1987	Salmon et al. ....	180/209

### [57] CLAIM

The ornamental design for a toy race car, as shown and described.

### DESCRIPTION

FIG. 1 is a top left front perspective view of a toy race car showing our new design;  
FIG. 2 is a left side elevational view thereof; the right side elevational view being a mirror image;  
FIG. 3 is a top plan view thereof;  
FIG. 4 is a bottom plan view thereof;  
FIG. 5 is a front elevational view thereof; and,  
FIG. 6 is a rear elevational view thereof.





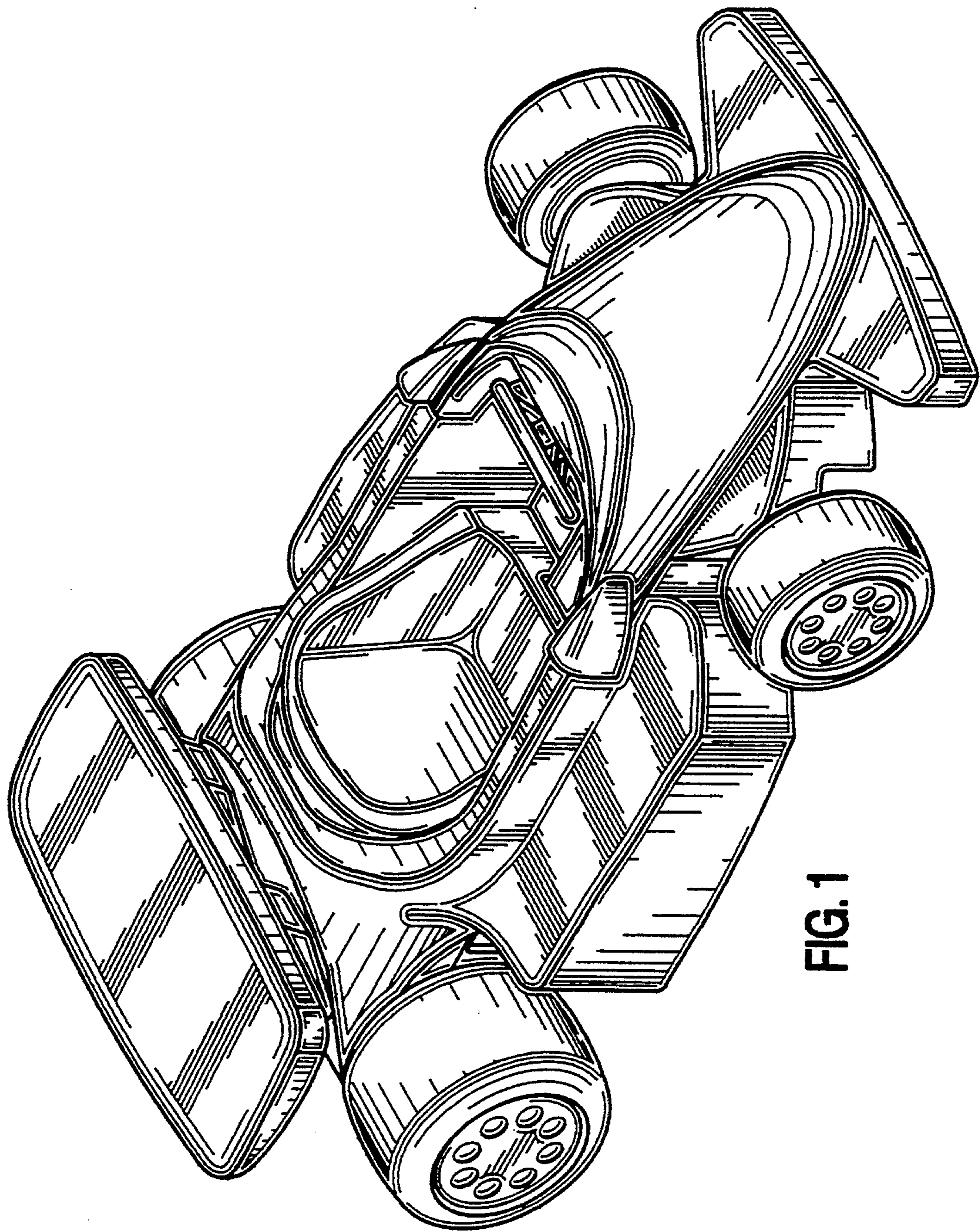


FIG. 1

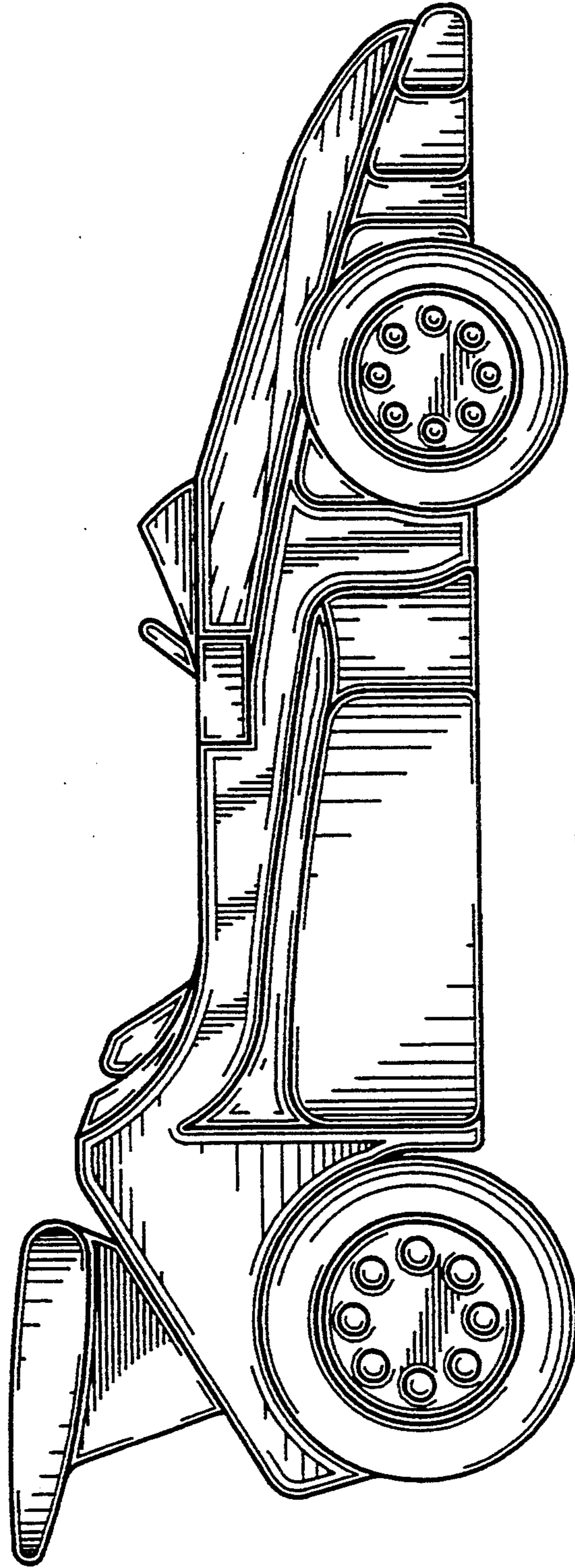


FIG. 2



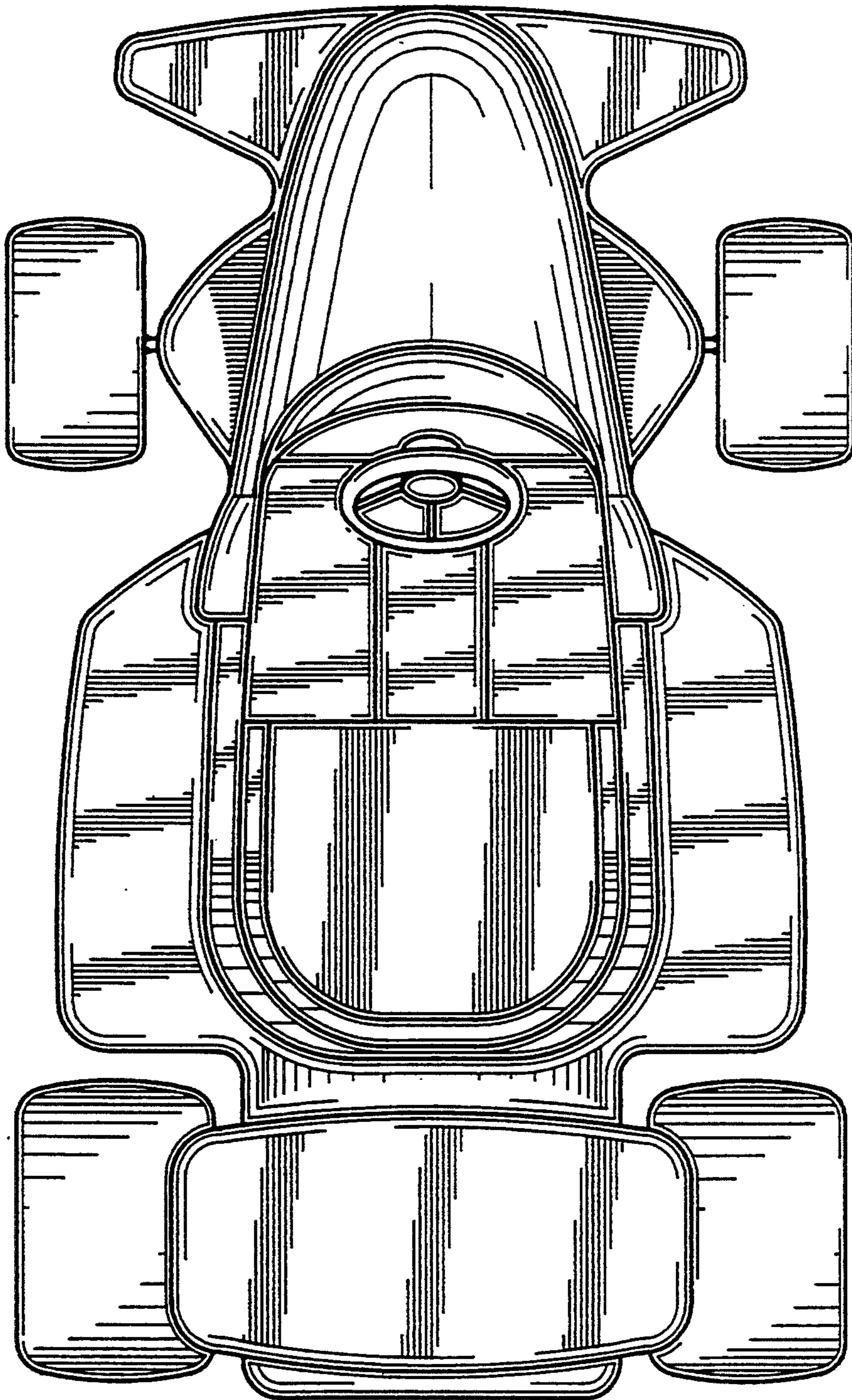


FIG. 3

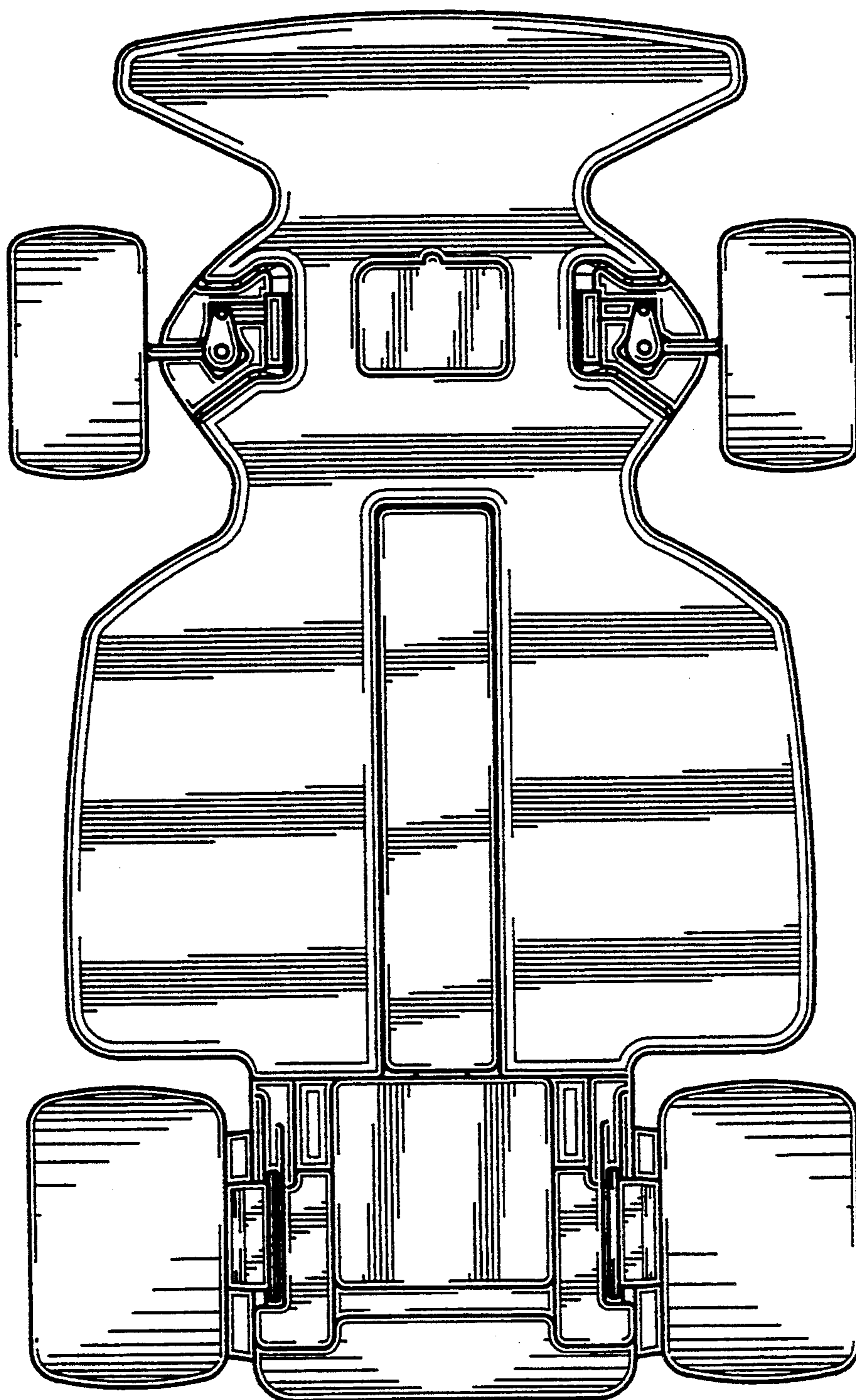


FIG. 4

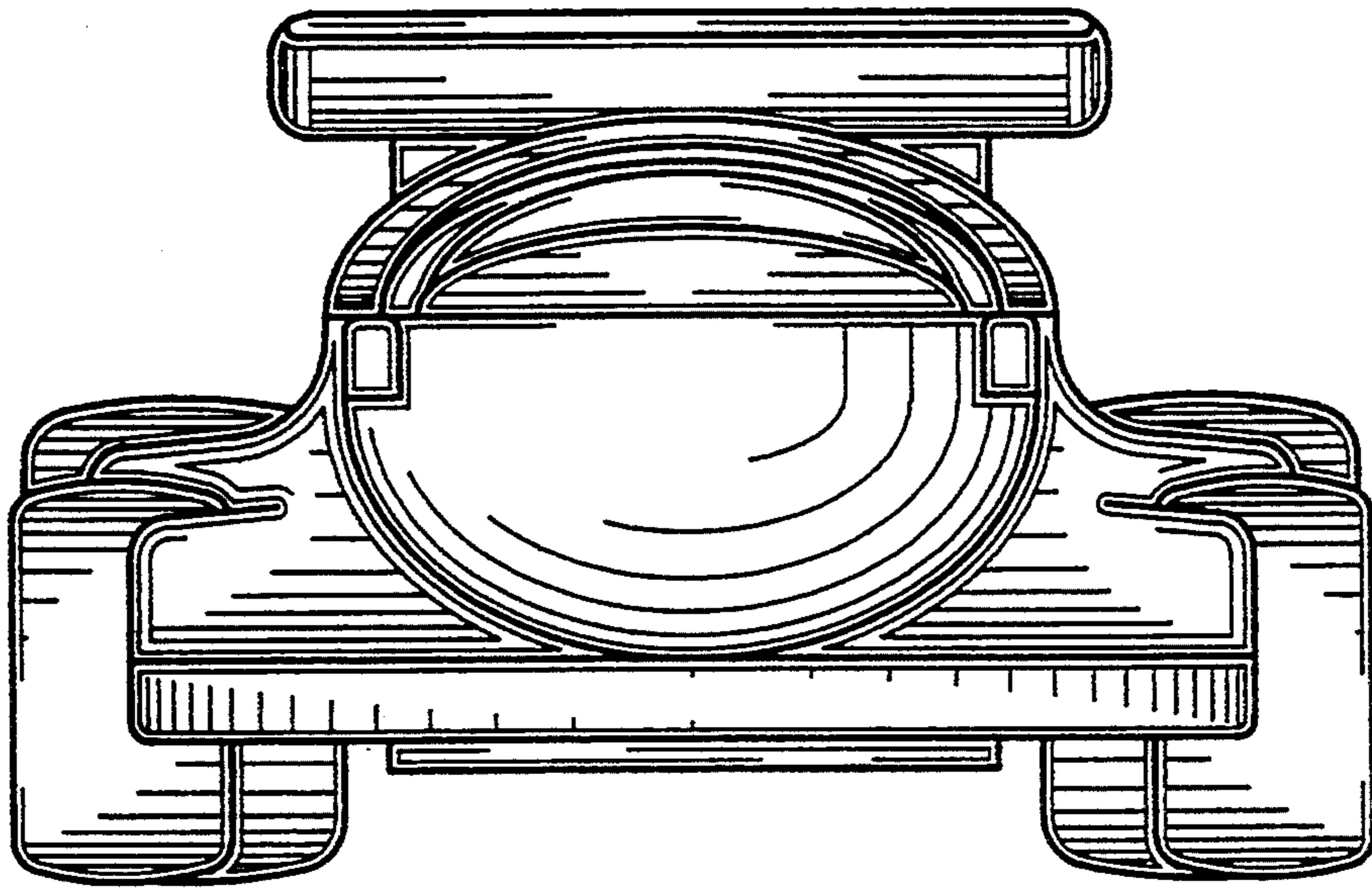


FIG. 5

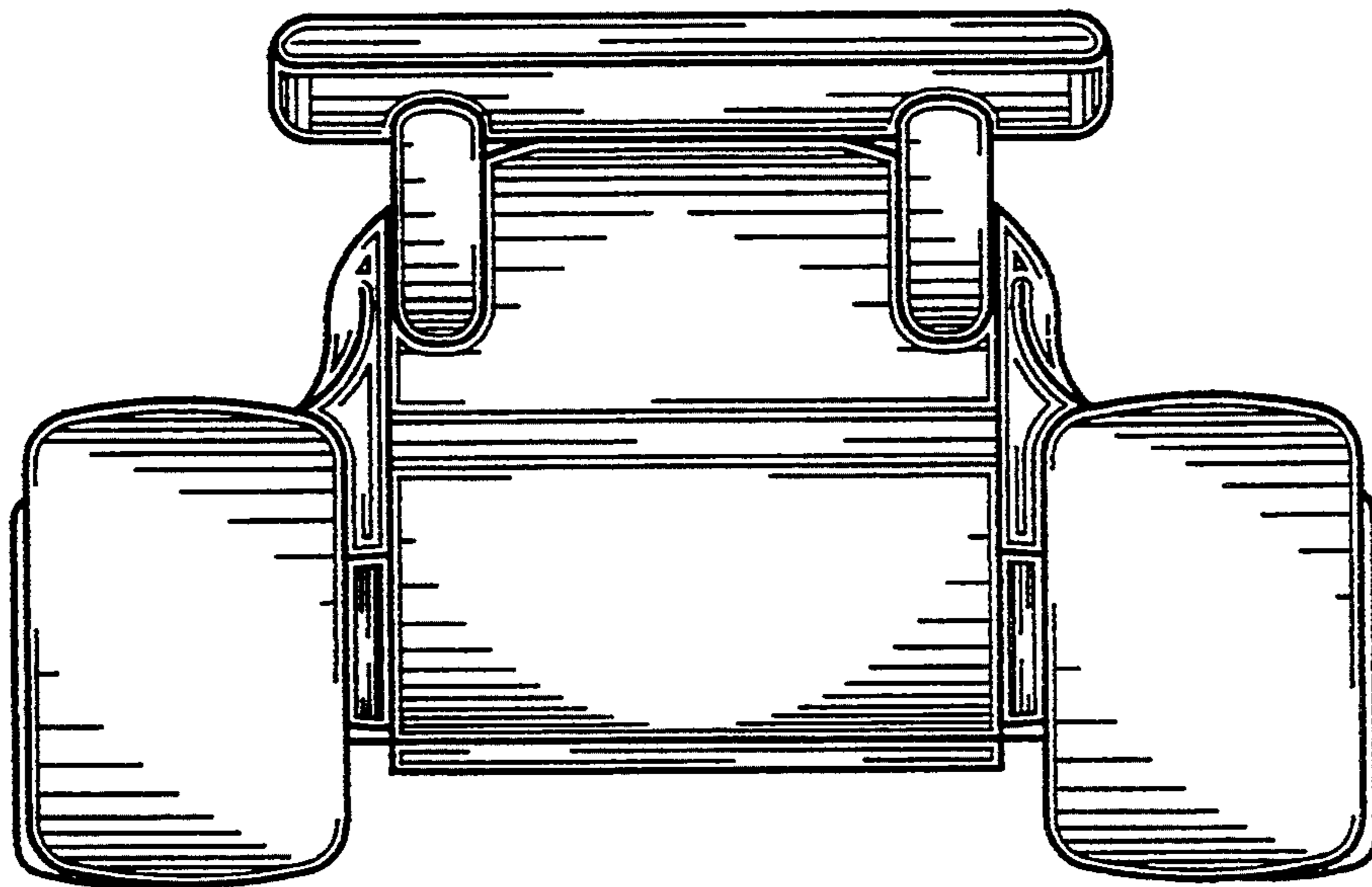


FIG. 6