



US00D359073S

United States Patent [19]

[11] Patent Number: **Des. 359,073**

Schaus

[45] Date of Patent: **** Jun. 6, 1995**

[54] **SURFACE-MOUNTABLE WRITING INSTRUMENT HOLDER**

[76] Inventor: **Donald Schaus**, Oak Ridge Rd., Purdys, N.Y. 10578

[**] Term: **14 Years**

[21] Appl. No.: **4,573**

[22] Filed: **Feb. 8, 1993**

[52] U.S. Cl. **D19/83; D19/54; D19/55**

[58] Field of Search **D11/95, 108; D19/35, D19/36, 65, 81-85, 99, 100; 401/6, 52, 88, 195; 211/69.1-69.9; 24/10 R, 11 R**

[56] **References Cited**

U.S. PATENT DOCUMENTS

D. 30,046	1/1899	Pincus	D19/81 X
D. 33,044	8/1900	Gilfillan	D19/81
D. 59,745	11/1921	Heathcote	D11/108 X
D. 140,563	3/1945	Gross	D11/108

D. 165,156	11/1951	Kandarian	D19/83
D. 182,341	3/1958	Pitcher	D19/81
901,240	10/1908	Hagan	24/10 R
1,164,697	12/1915	Alsop	401/52
2,297,806	10/1942	Smith	211/69.1
2,853,054	9/1958	Rosa	211/69.5
3,128,514	4/1964	Parker et al.	401/52 X
5,140,723	8/1992	Genzel	24/10 R

Primary Examiner—Martie Thompson

[57] **CLAIM**

The ornamental design for a surface-mountable writing instrument holder, as shown and described.

DESCRIPTION

FIG. 1 is a front elevational view of the surface-mountable writing instrument holder showing my new design; FIG. 2 is a rear elevational view thereof; FIG. 3 is a left side elevational view thereof; FIG. 4 is a right side elevational view thereof; FIG. 5 is a top plan view thereof; and, FIG. 6 is a bottom plan view thereof.

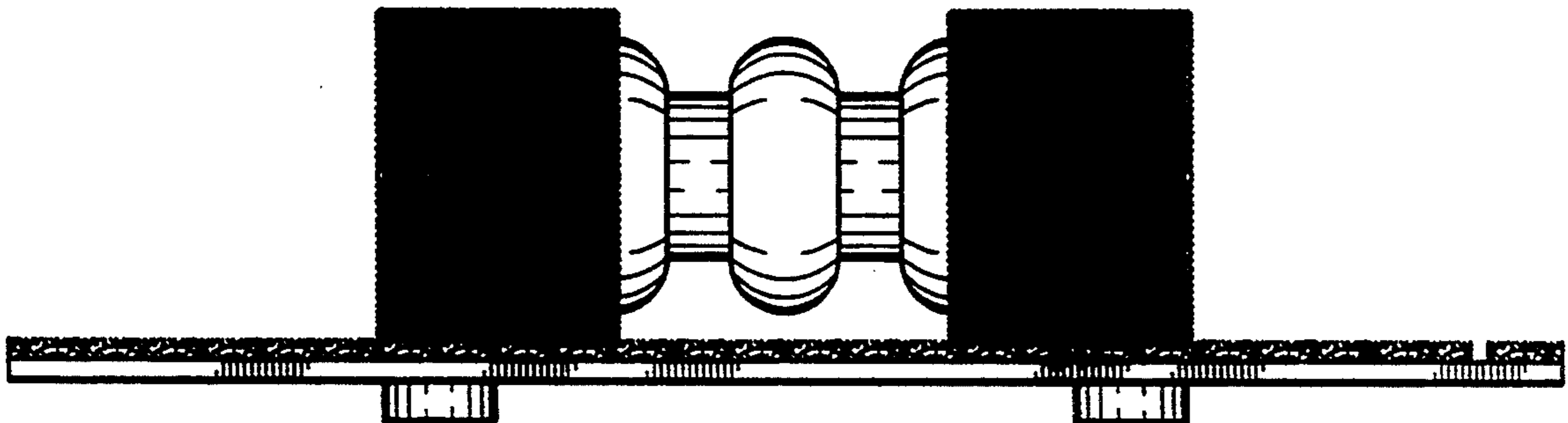
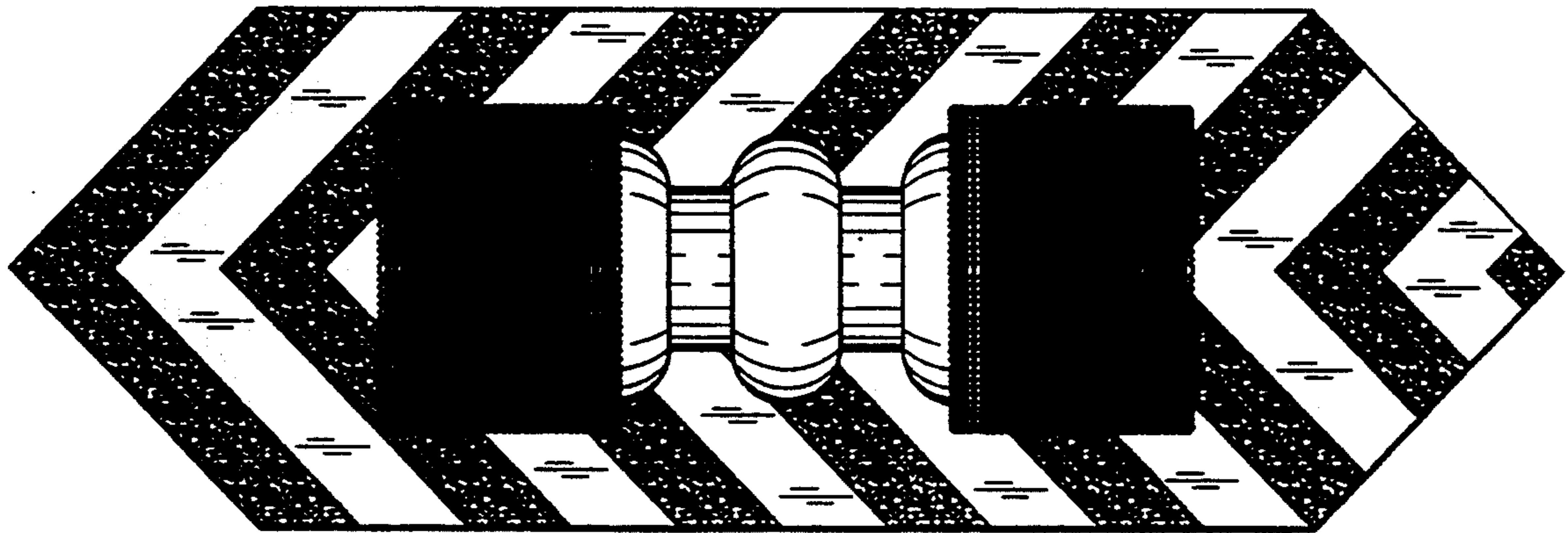


FIG. 1.

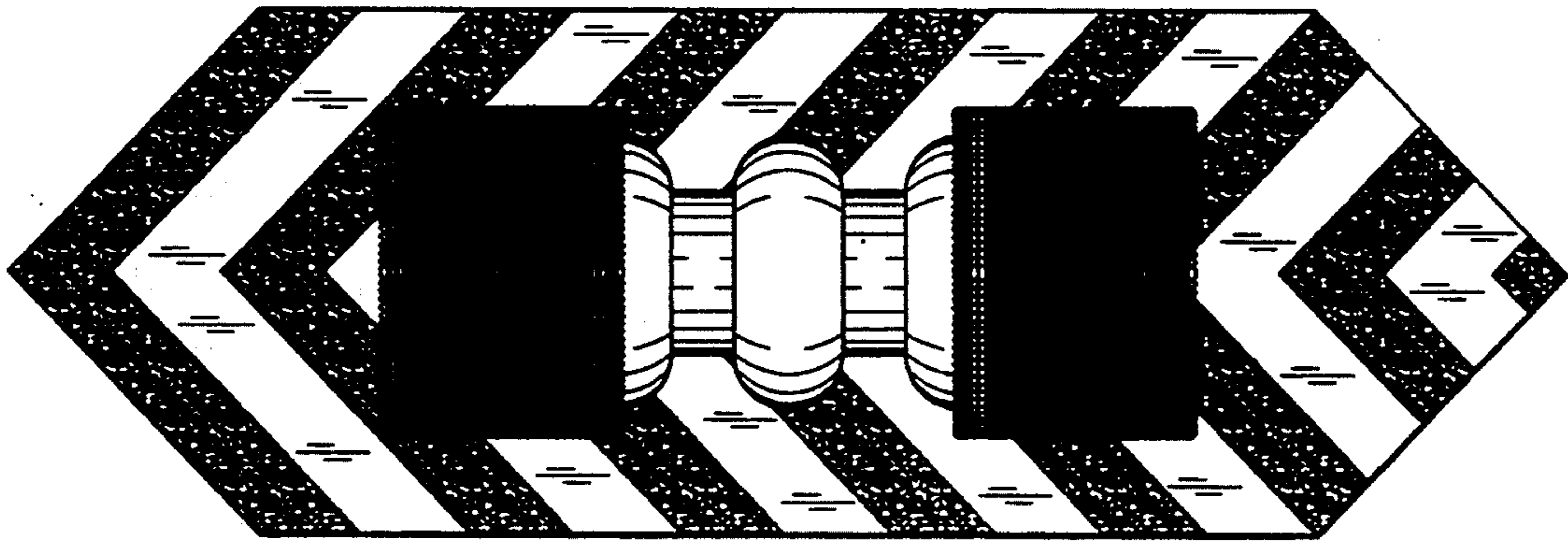


FIG. 2

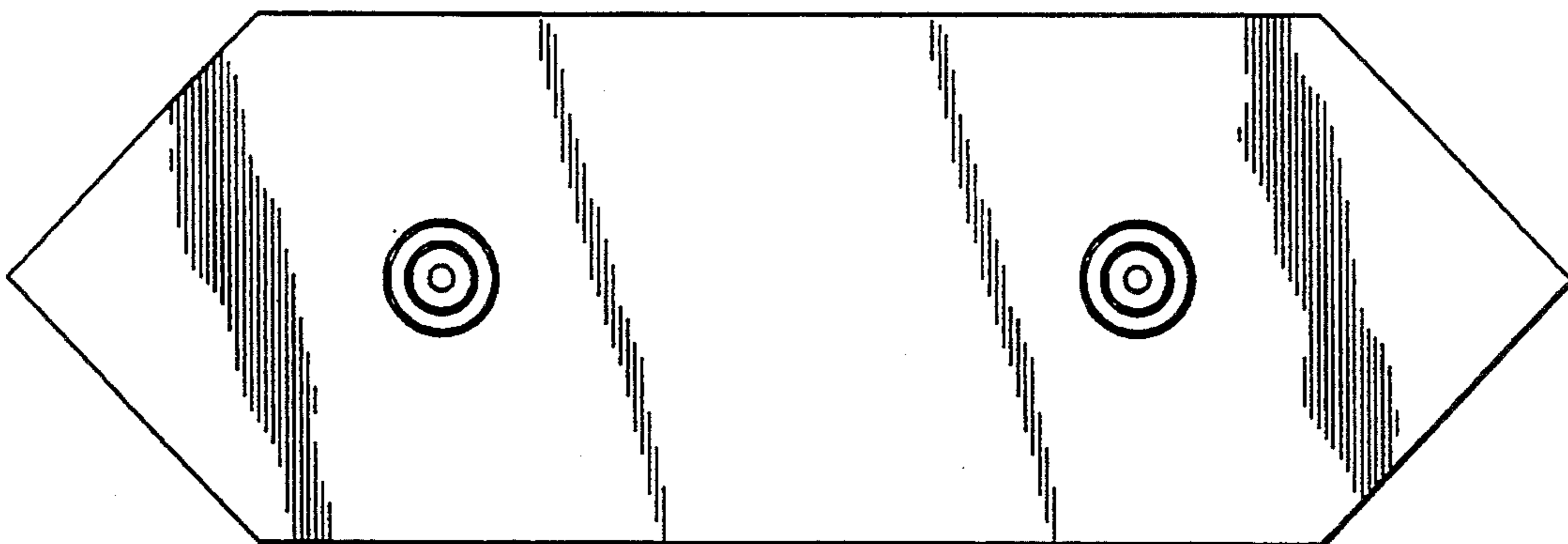


FIG. 3

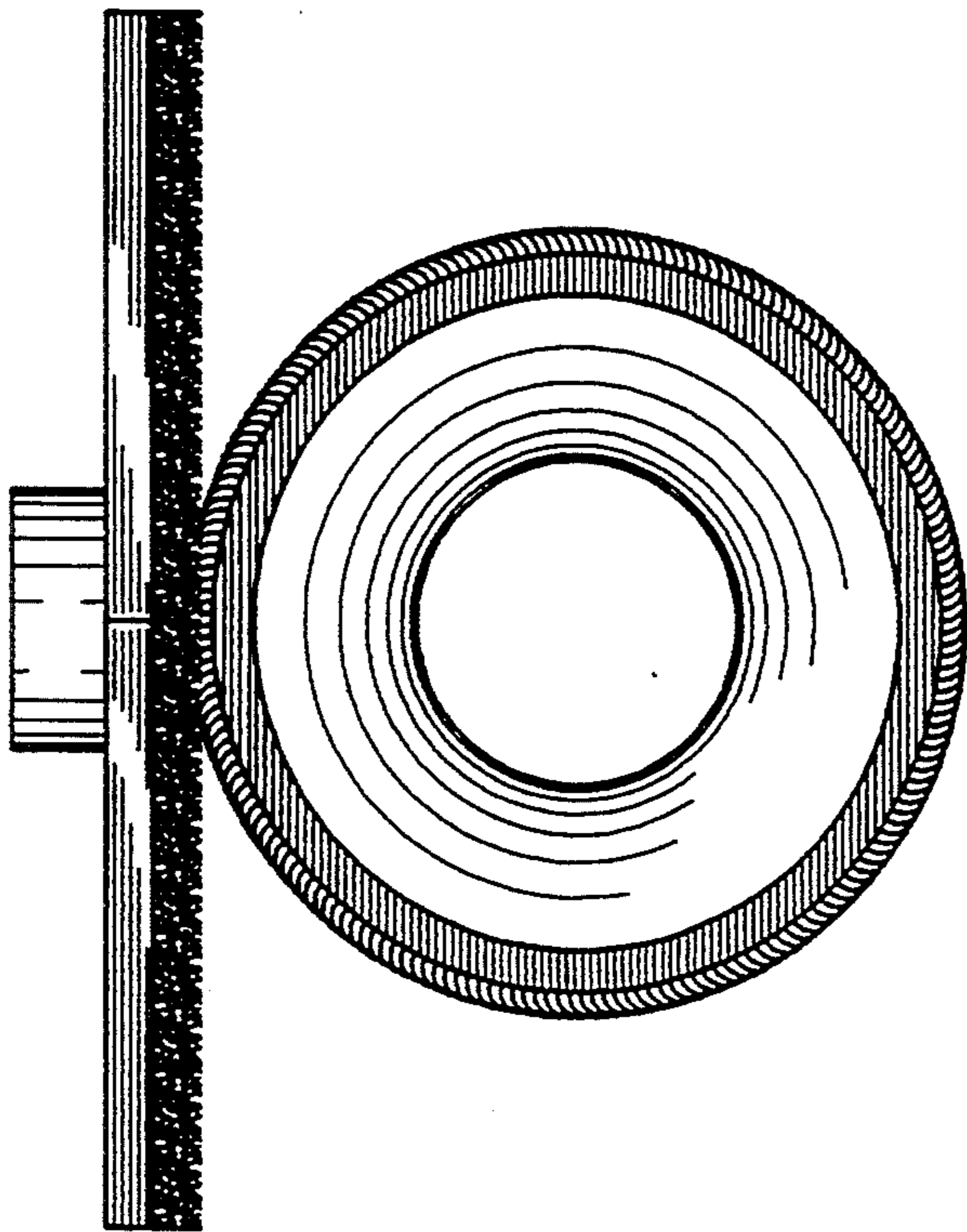


FIG. 4

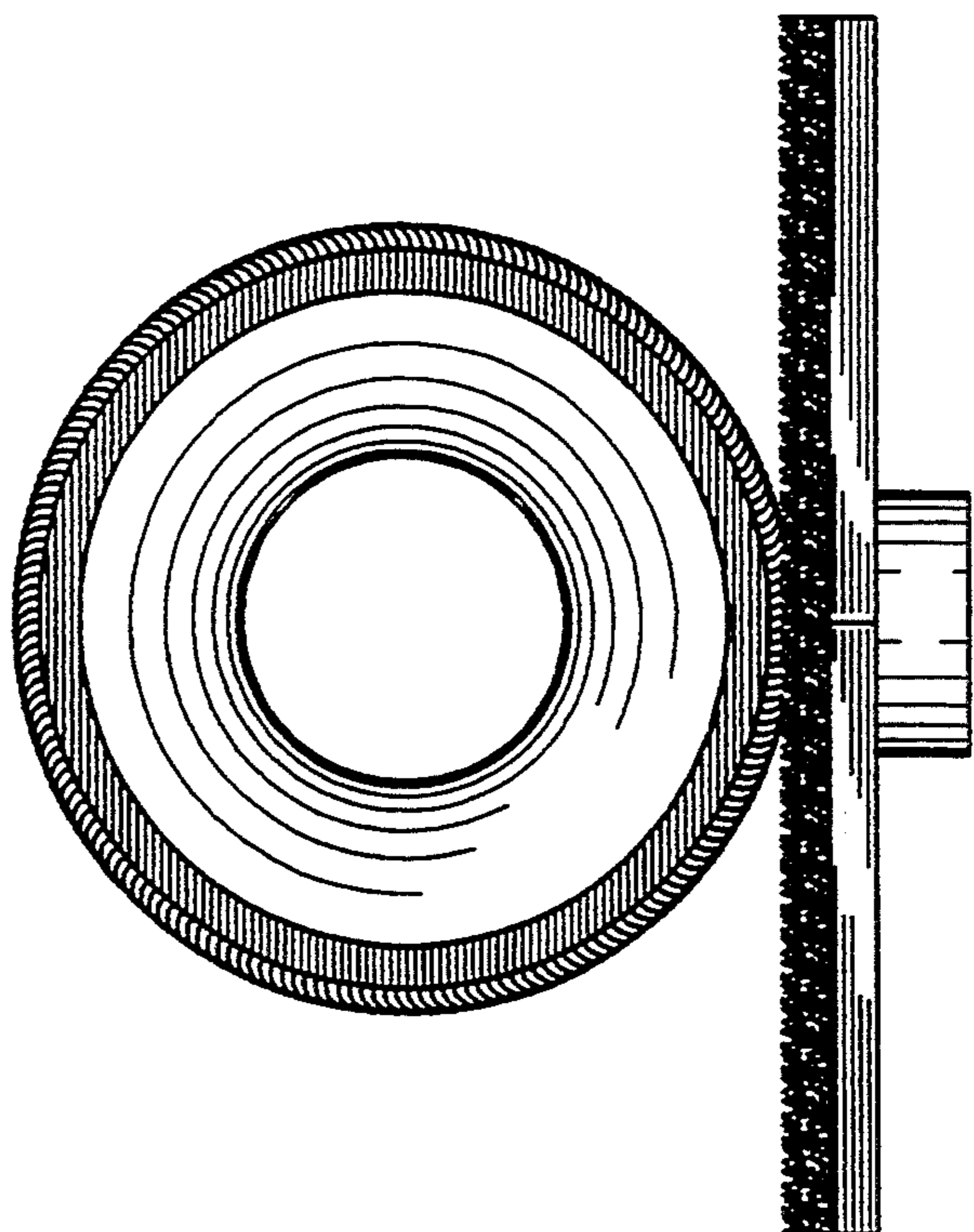


FIG. 5

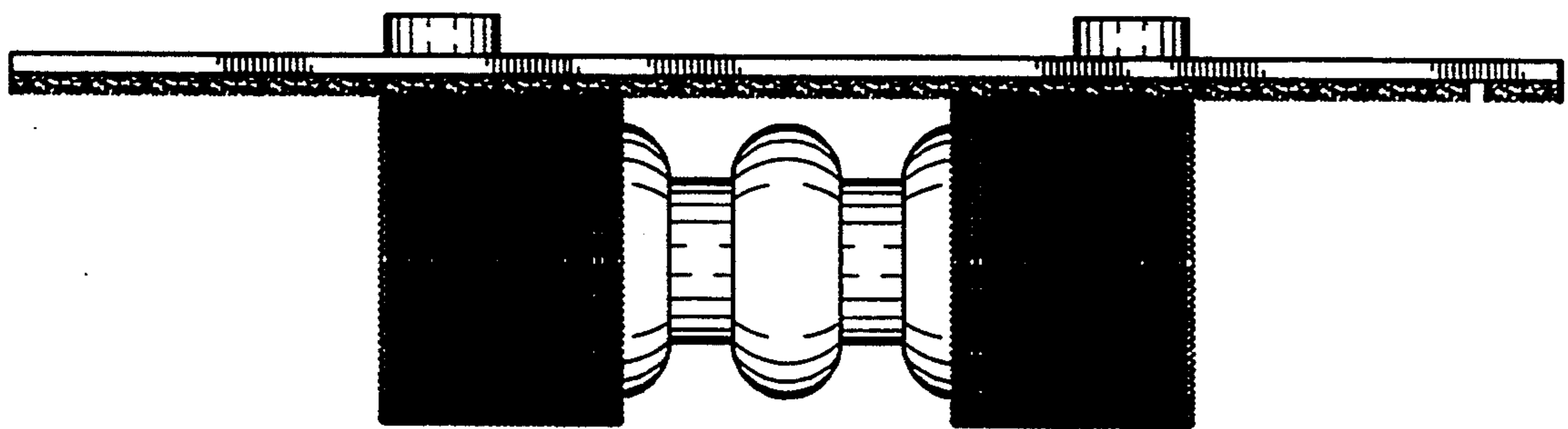


FIG. 6

