



US00D359069S

United States Patent [19]

[11] Patent Number: **Des. 359,069**

Komaki et al.

[45] Date of Patent: **** Jun. 6, 1995**

[54] **DEVELOPING UNIT FOR FORMING AN IMAGE**

[56] **References Cited**

[75] Inventors: **Susumu Komaki, Kobe; Masami Taniguchi; Syuji Fujisawa, both of Osaka, all of Japan**

U.S. PATENT DOCUMENTS

D. 314,212 1/1991 Komada et al. D18/40
D. 332,962 2/1993 Kikuchi et al. D18/40 X
4,949,399 8/1990 Williams et al. D18/43 X

[73] Assignee: **Mita Industrial Co., Ltd., Osaka, Japan**

Primary Examiner—Alan P. Douglas
Assistant Examiner—Caron D. Veynar
Attorney, Agent, or Firm—Spencer, Frank & Schneider

[**] Term: **14 Years**

[57] CLAIM

The ornamental design for a developing unit for forming an image, as shown.

[21] Appl. No.: **14,624**

DESCRIPTION

[22] Filed: **Oct. 28, 1993**

Related U.S. Application Data

[63] Continuation-in-part of Ser. No. 6,293, Mar. 25, 1993.

FIG. 1 is a top plan view of a developing unit for forming an image;
FIG. 2 is a front elevational view of a developing unit for forming an image;
FIG. 3 is a bottom plan view of a developing unit for forming an image;
FIG. 4 is a rear elevational view of a developing unit for forming an image;
FIG. 5 is a left side elevational view of a developing unit for forming an image;
FIG. 6 is a right side elevational view of a developing unit for forming an image; and,
FIG. 7 is a top, front and left side perspective view of a developing unit for forming an image.

[30] Foreign Application Priority Data

Jan. 8, 1993 [JP] Japan 5-295

Jun. 30, 1993 [JP] Japan 5-20429

[52] U.S. Cl. **D18/43; D18/40**

[58] Field of Search **D18/36, 40, 43; 222/DIG. 1; 355/200, 206, 208, 245, 260, 298**

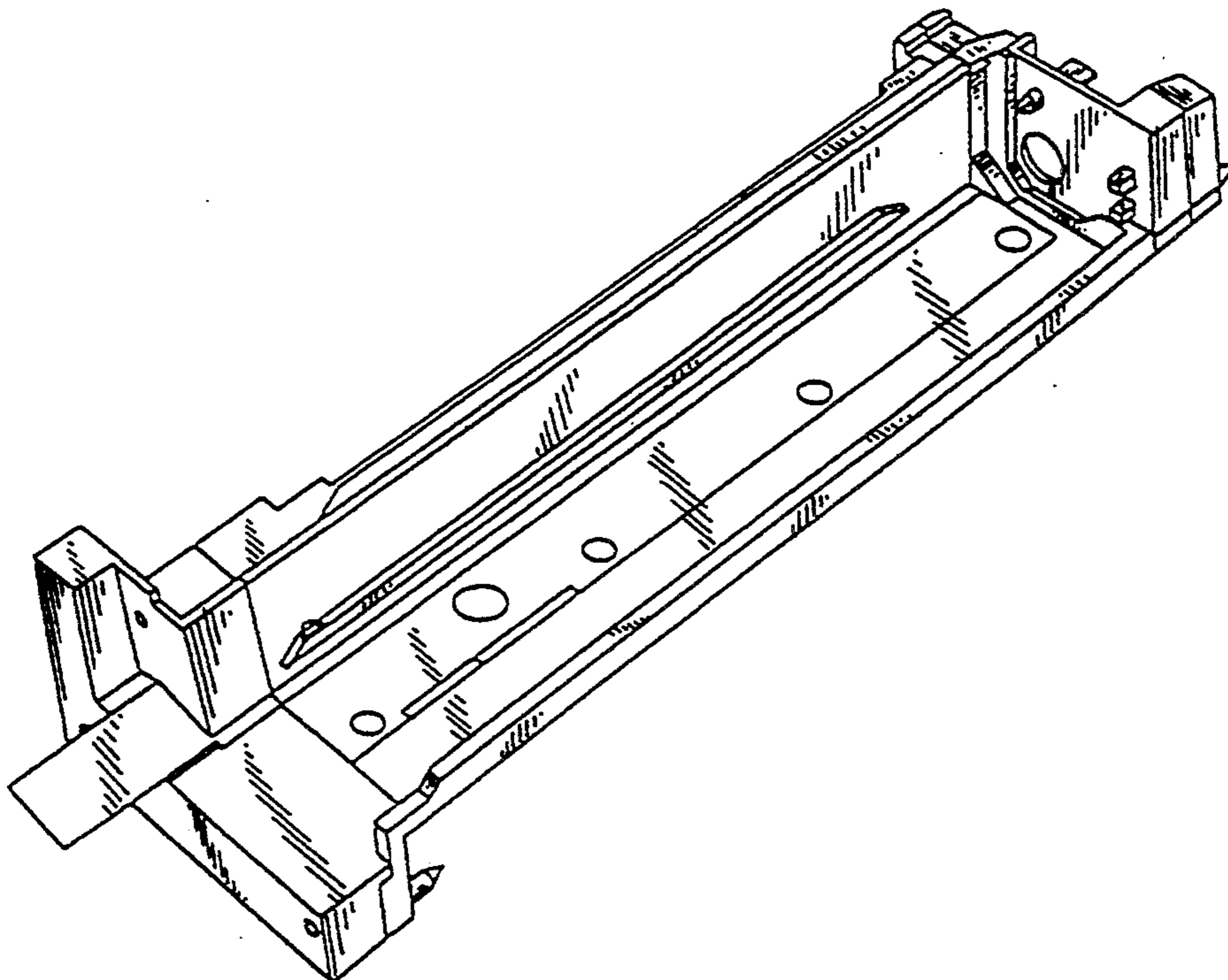


FIG. 1

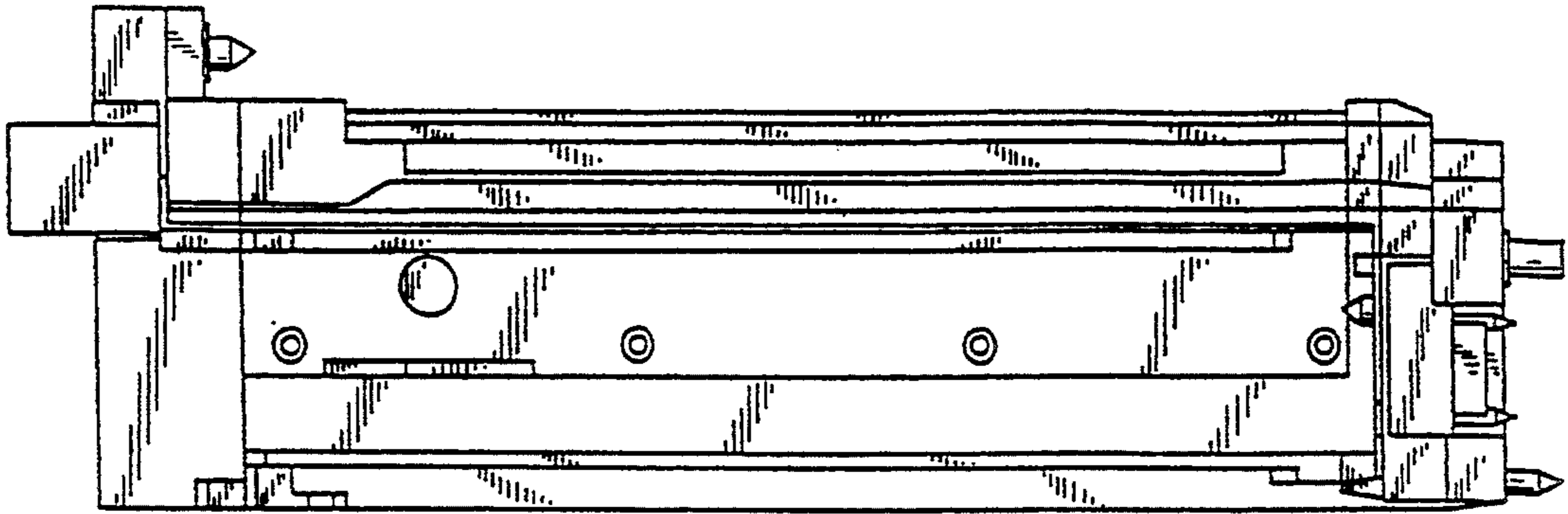


FIG. 2

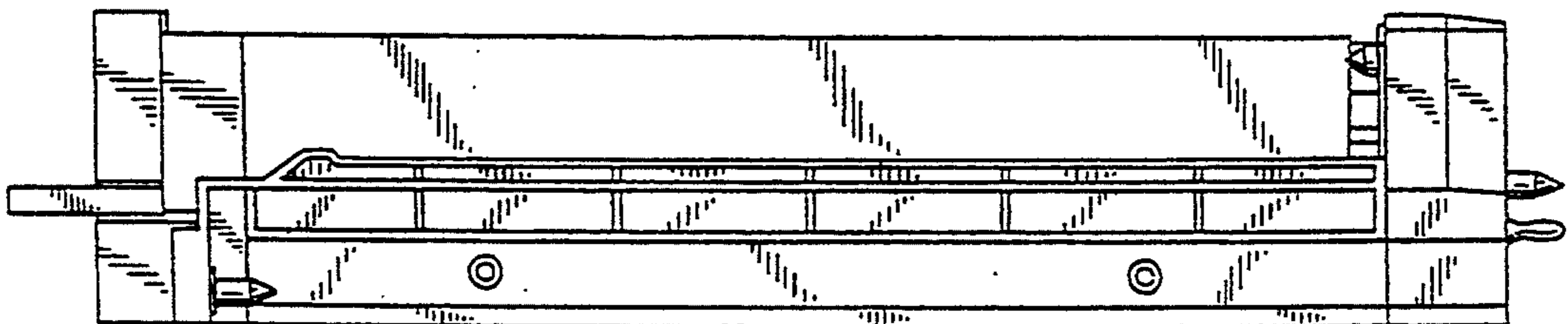


FIG. 3

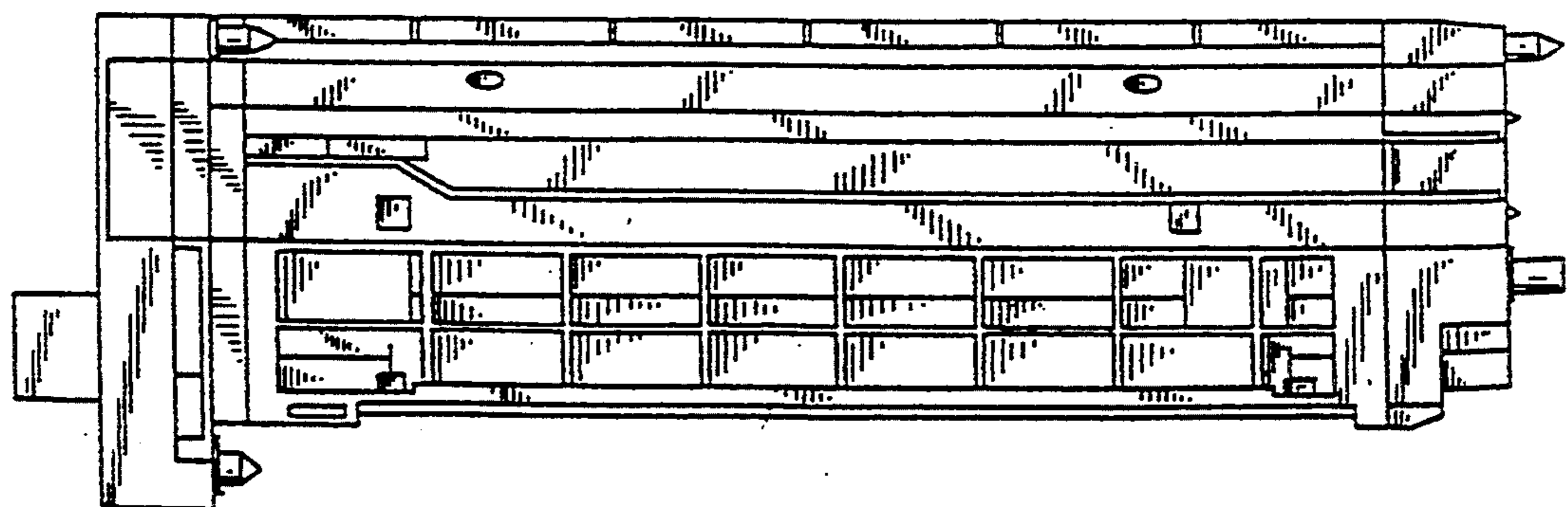


FIG. 4

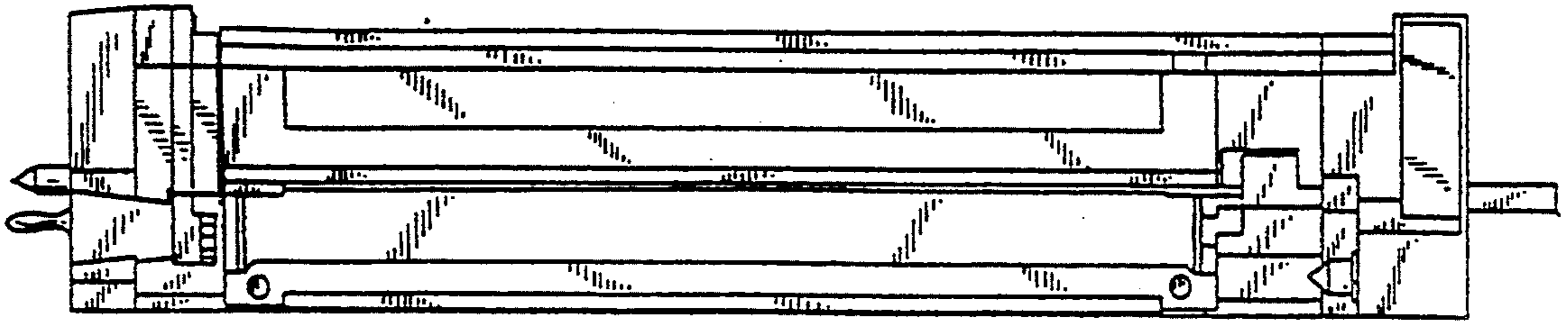


FIG. 5

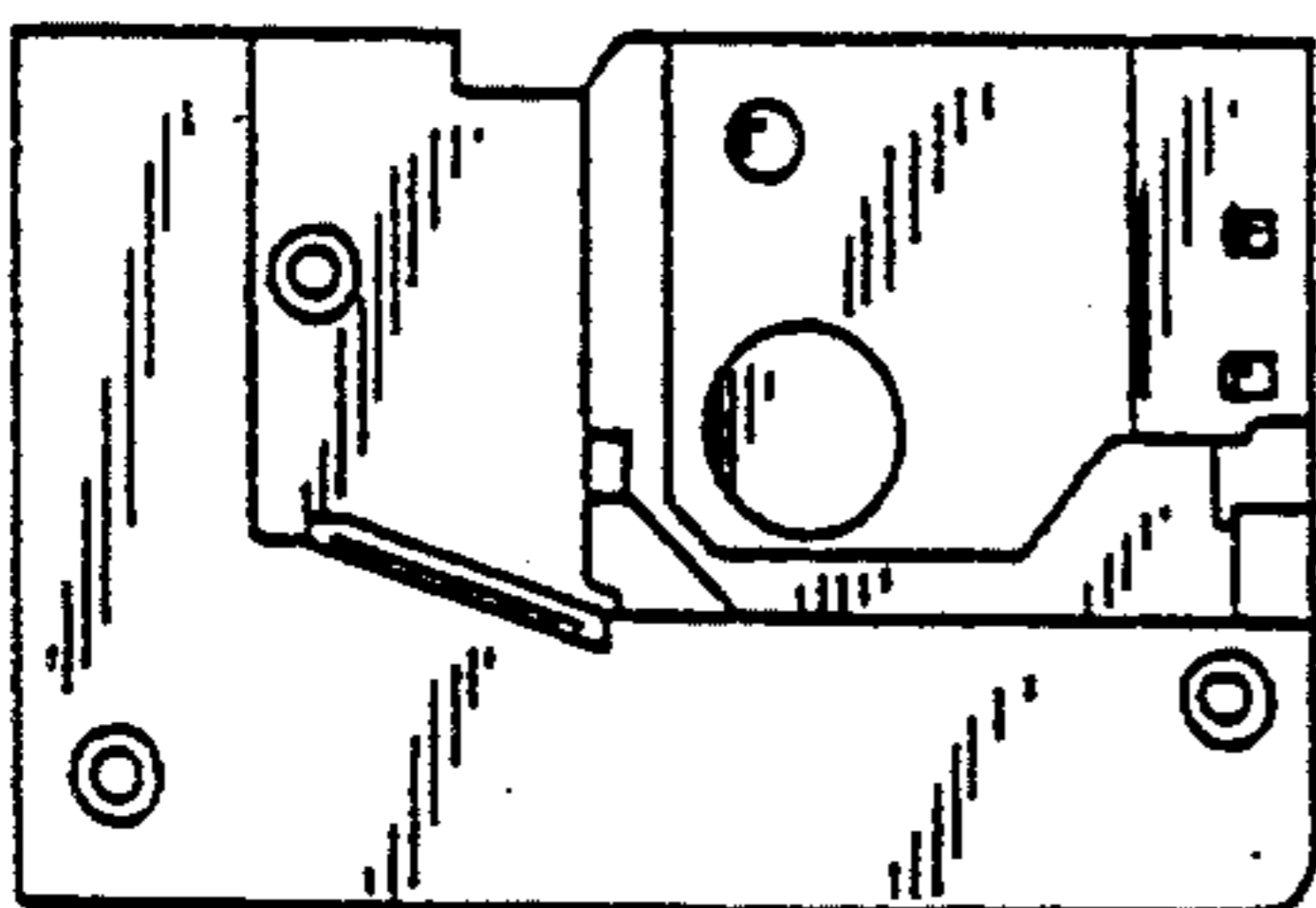


FIG. 6

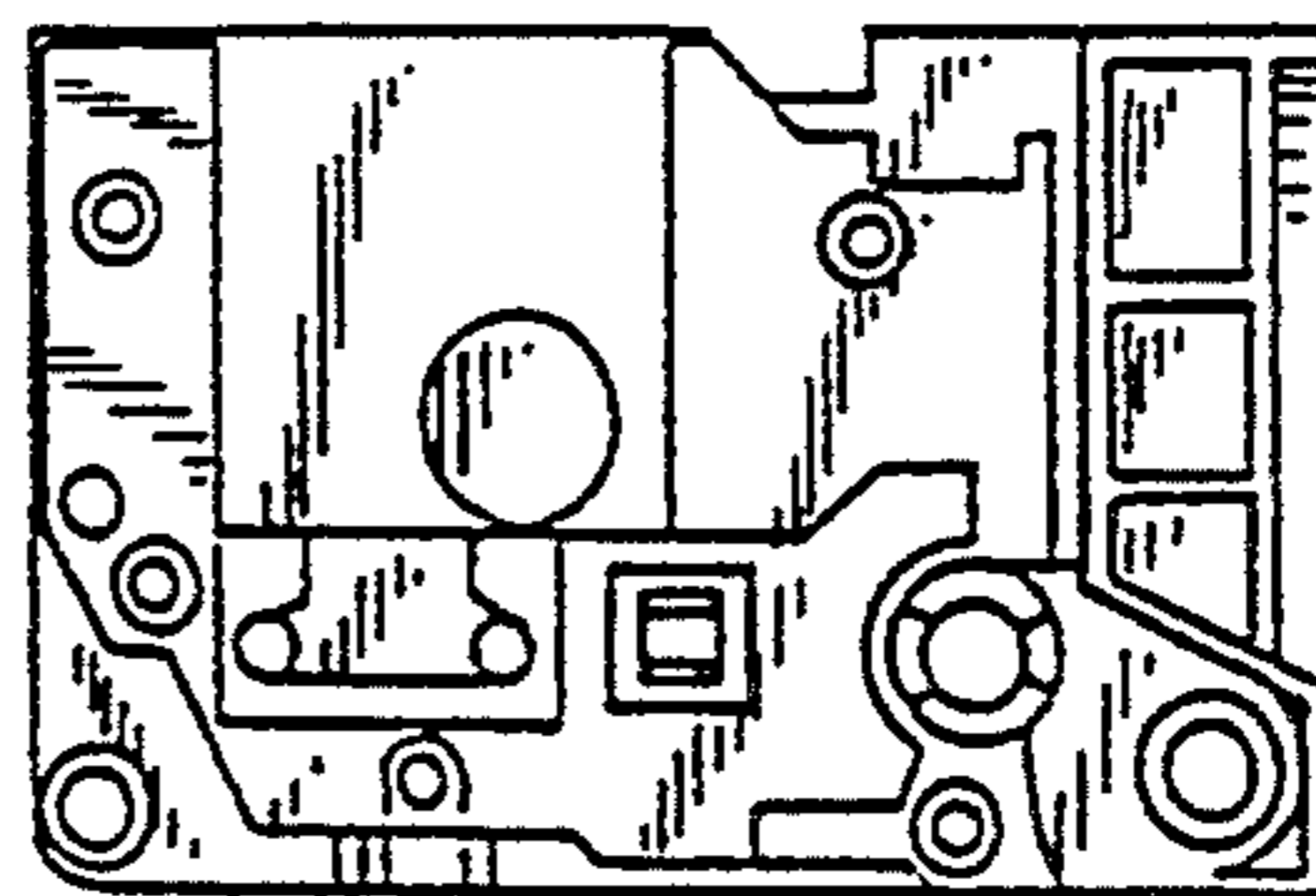


FIG. 7

