



US00D359065S

United States Patent [19]

[11] Patent Number: **Des. 359,065**

Cox

[45] Date of Patent: **** Jun. 6, 1995**

[54] **COMBINED DOCUMENT PUNCHING AND BINDING MACHINE**

4,986,713 1/1991 Zoltner et al. D18/34
5,211,522 5/1993 Ho 412/16

[75] Inventor: **Scott Cox, Warwick, United Kingdom**

FOREIGN PATENT DOCUMENTS

3702529 6/1988 Germany 412/900

[73] Assignee: **Acco-Rexel Group Service Plc., United Kingdom**

OTHER PUBLICATIONS

[**] Term: **14 Years**

Insert in Lithoweek Magazine, Oct. 1987; ibico office Binder Brochure.

[21] Appl. No.: **4,640**

General Binding Corporation advertisement in Book Production Industry; Jul. 1968.

[22] Filed: **Feb. 10, 1993**

Primary Examiner—Cathy Anne MacCormac
Attorney, Agent, or Firm—Kirschstein, Ottinger, Israel & Schiffmiller

[30] Foreign Application Priority Data

Aug. 11, 1992 [GB] United Kingdom 2024922

Aug. 11, 1992 [GB] United Kingdom 2024961

[52] U.S. Cl. **D18/34; 412/900; 412/37**

[58] Field of Search **D18/34; 412/16, 39-40, 412/900, 37; 156/908**

[57] CLAIM

The ornamental design for a combined document punching and binding machine, as shown.

[56] References Cited

U.S. PATENT DOCUMENTS

- D. 192,265 2/1962 Crowle D18/34
- D. 246,204 10/1977 Balmer et al. D18/34
- D. 261,530 10/1981 Hausmann D18/34
- D. 284,870 7/1986 Terracciano D18/34
- D. 320,040 9/1991 Miles et al. D18/34
- 1,346,179 7/1920 Crippen D18/34

DESCRIPTION

FIG. 1 is a perspective view taken from the front, side and top of a combined document punching and binding machine showing my new design;
 FIG. 2 is a left side elevational view thereof;
 FIG. 3 is a top plan view thereof;
 FIG. 4 is a right side elevational view thereof;
 FIG. 5 is a front elevational view thereof;
 FIG. 6 is a rear elevational view thereof; and,
 FIG. 7 is a bottom plan view thereof.

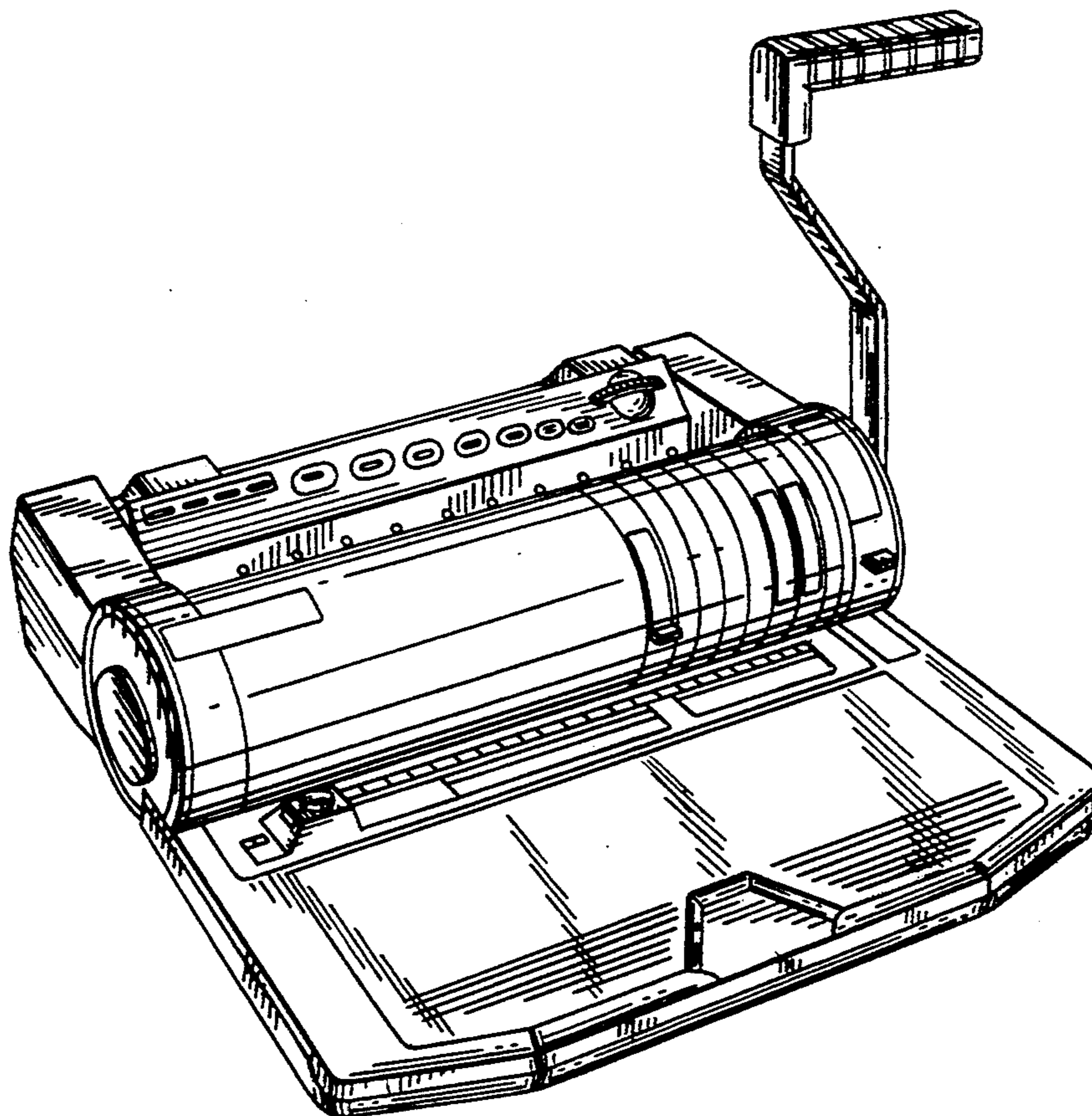
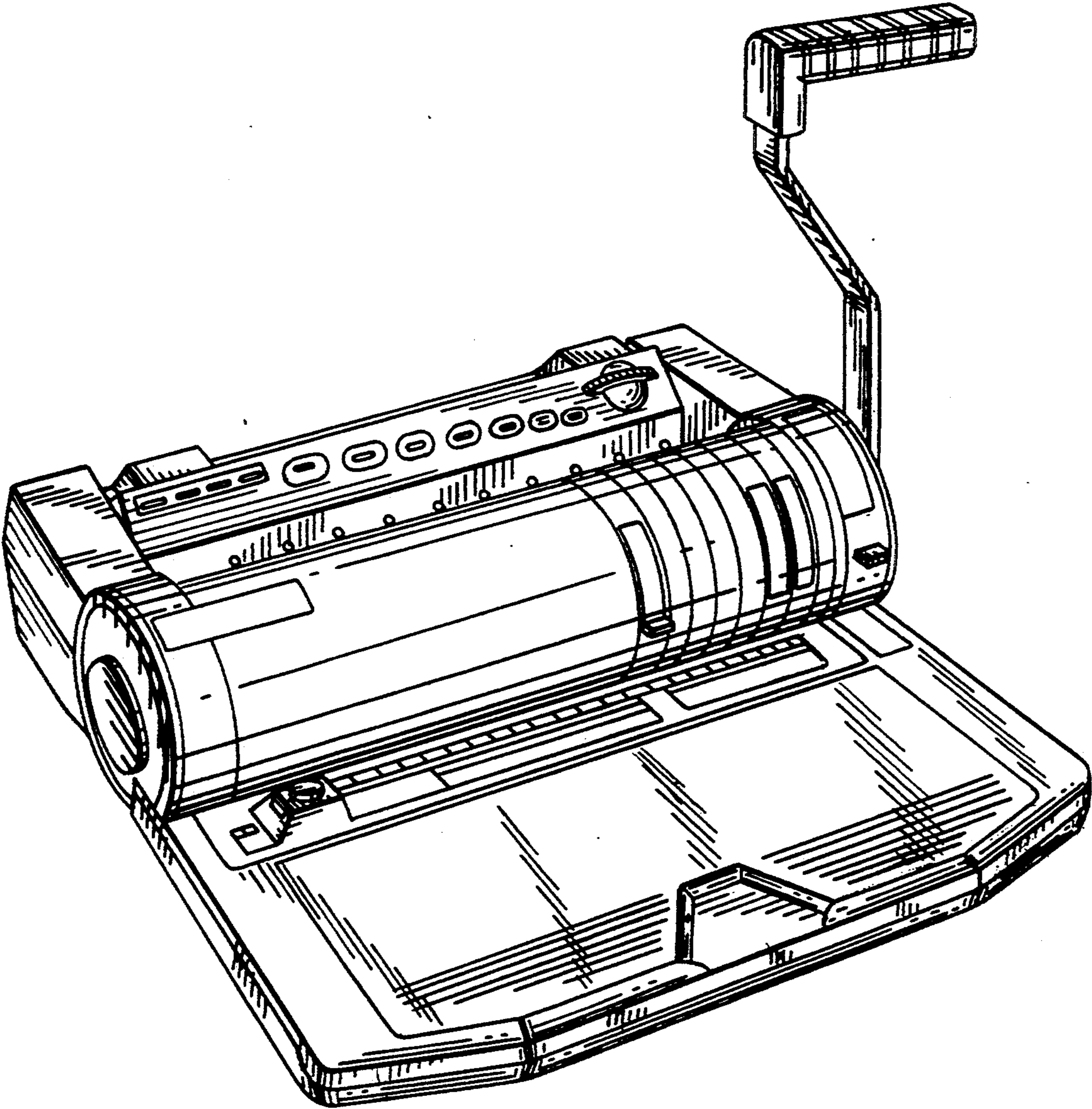


FIG. 1



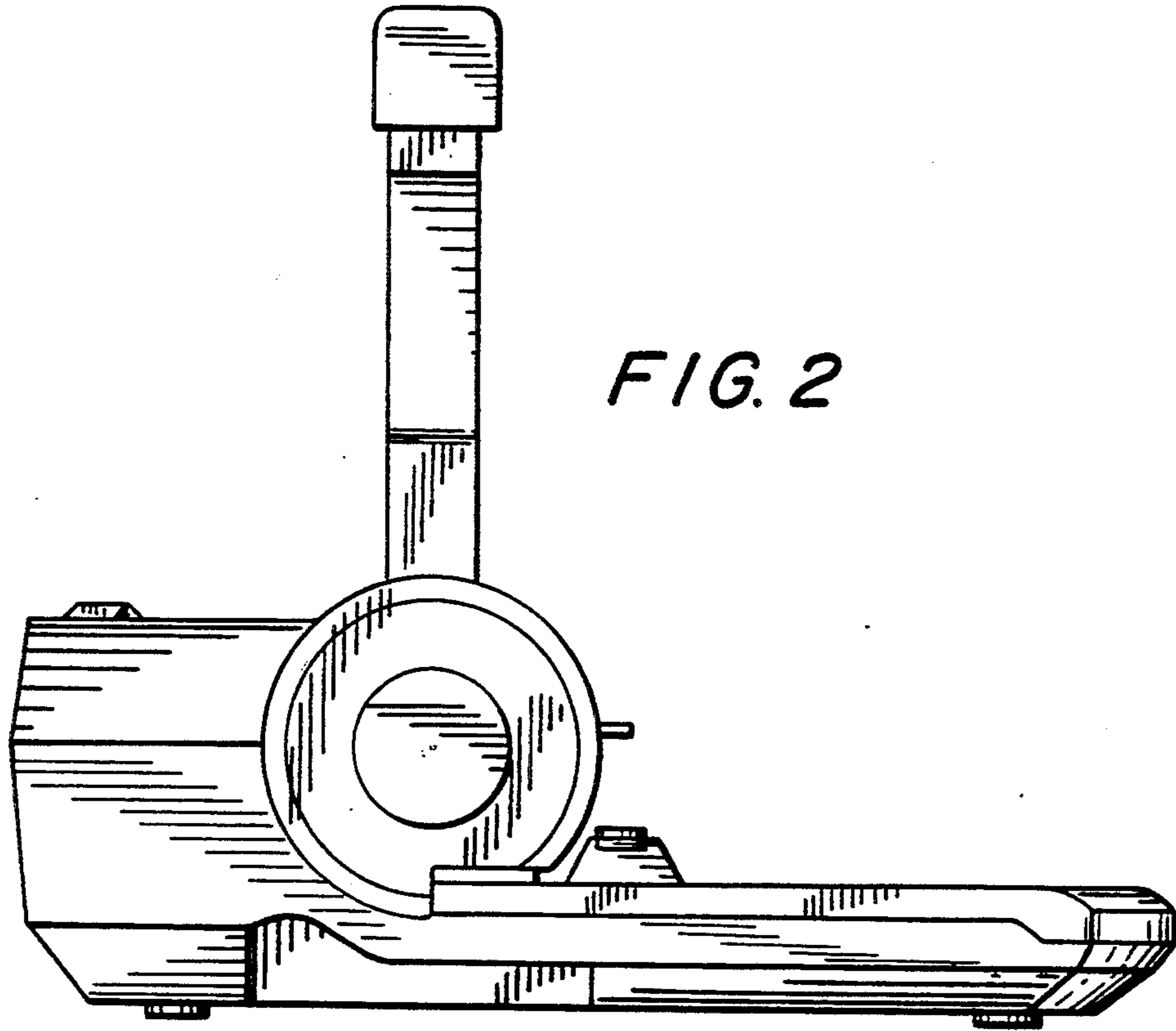


FIG. 3

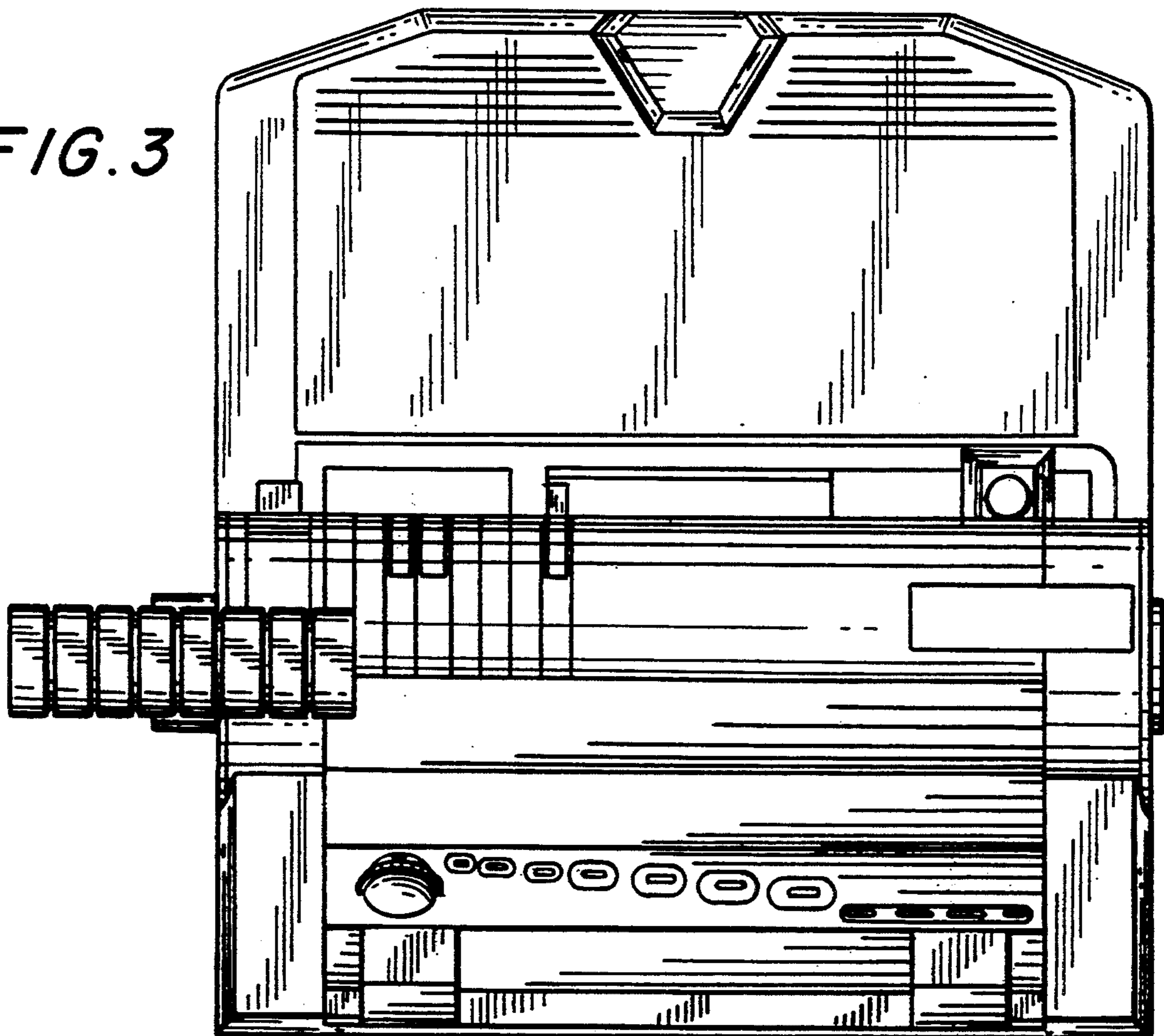


FIG. 4

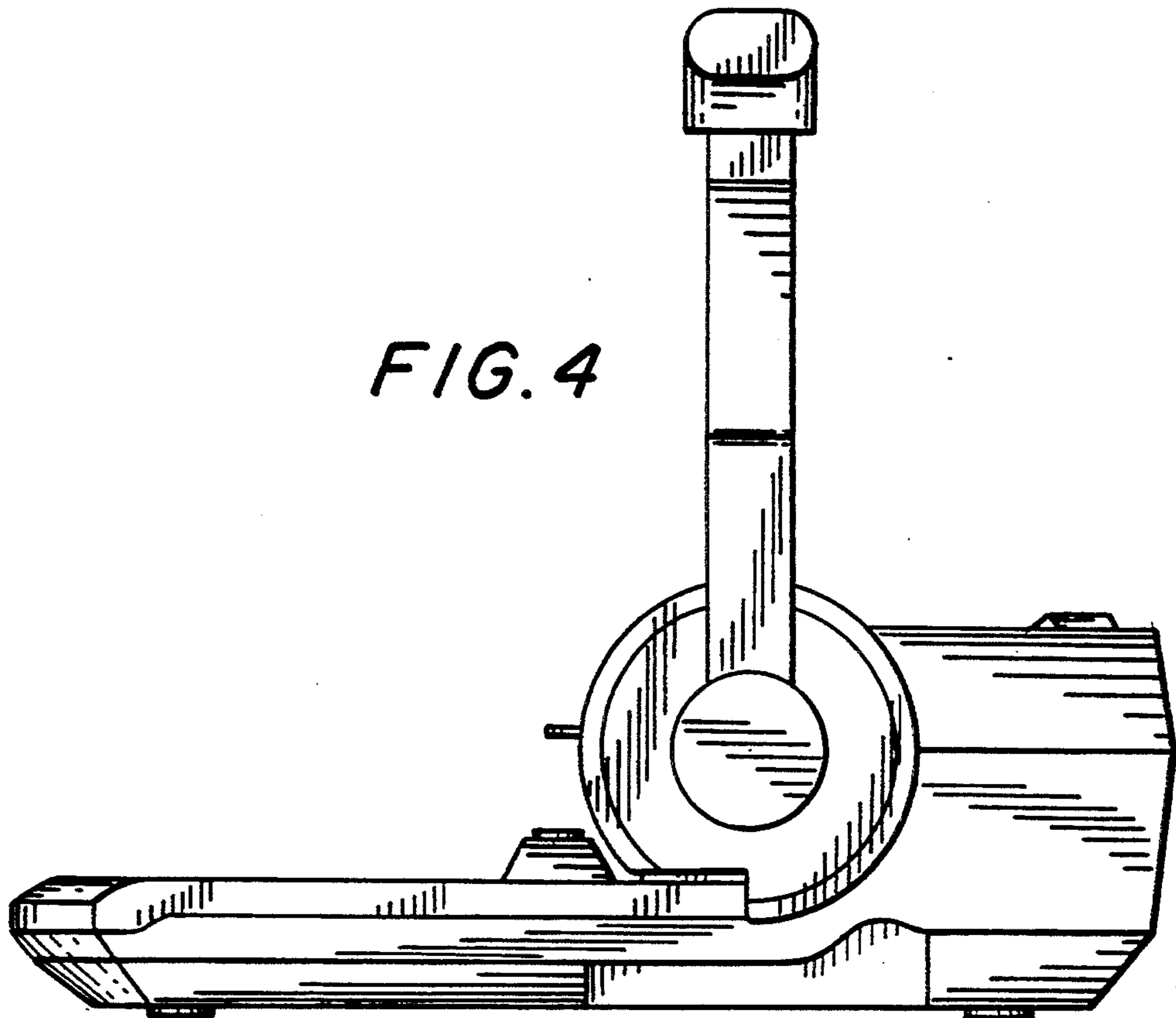
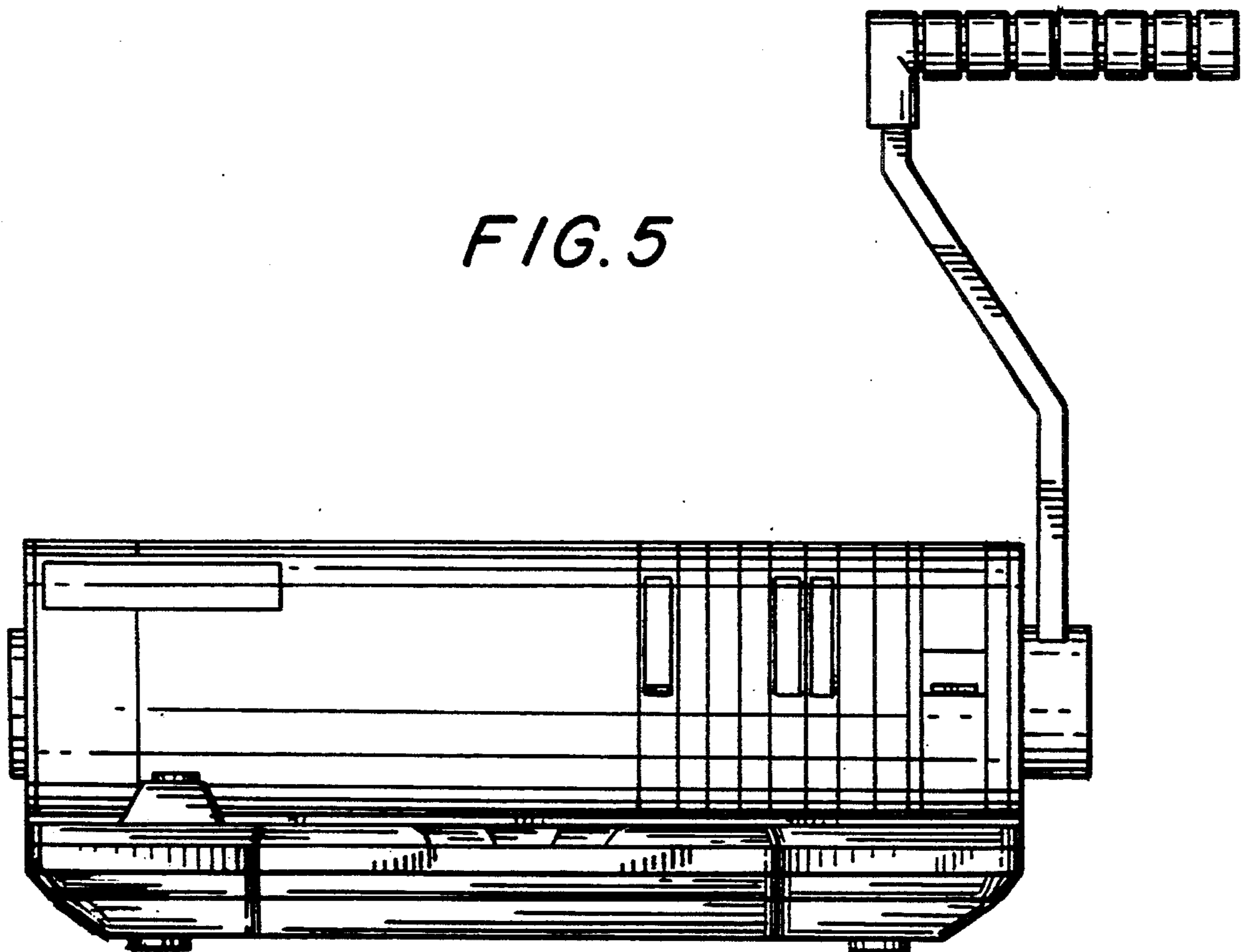


FIG. 5



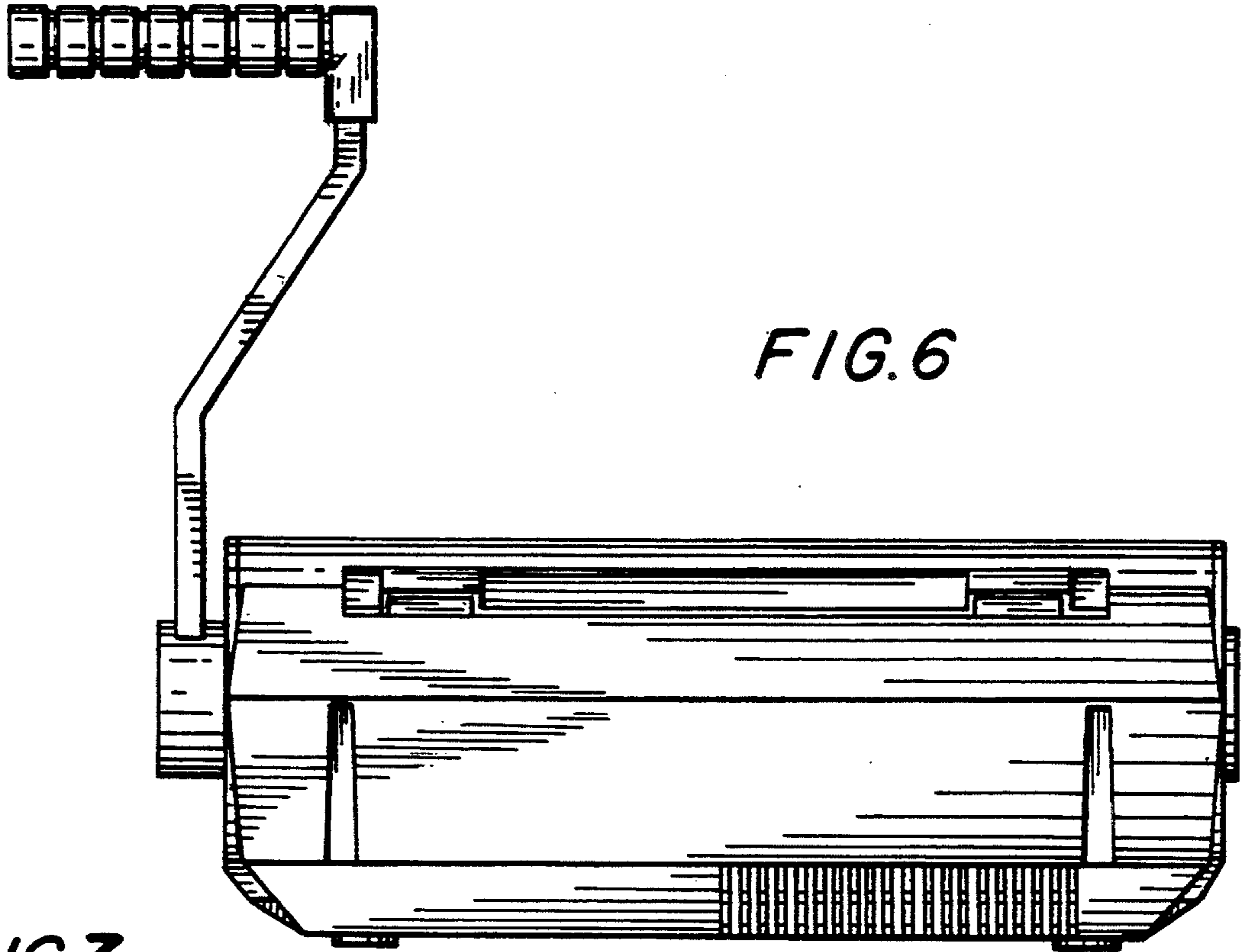


FIG. 6

FIG. 7

