



US00D359063S

United States Patent [19]

[11] Patent Number: **Des. 359,063**

Falk

[45] Date of Patent: **** Jun. 6, 1995**

- [54] **MUSICAL CHIME**
- [75] Inventor: **Kevin Falk, Redmond, Wash.**
- [73] Assignee: **Retail Products Corporation, Redmond, Wash.**
- [**] Term: **14 Years**
- [21] Appl. No.: **16,881**
- [22] Filed: **Dec. 29, 1993**
- [52] U.S. Cl. **D17/99**
- [58] Field of Search **D10/116-119; D17/22, 99; 84/402-404; 116/141, 169; 446/418, 397**

5,225,616 7/1993 Bakeman 84/404

FOREIGN PATENT DOCUMENTS

3844186A1 12/1988 Germany .
3807467 9/1989 Germany 84/402

OTHER PUBLICATIONS

Japanese Pat. Appl. SN 2-230962 depicting device in use in the United States. 1990.

Products of Note—"Retailers and Manufacturers Face The Music with Products That Give Sales Steady Rhythm . . . Without The Blues", GR Gift Reporter, Jun. 1990.

Primary Examiner—Terry A. Wallace

Assistant Examiner—Adir Aronovich

Attorney, Agent, or Firm—Hughes, Multer and Schacht

[56] References Cited

U.S. PATENT DOCUMENTS

| | | | |
|------------|---------|--------------------|---------|
| D. 284,175 | 6/1986 | Levin | D10/118 |
| 408,635 | 8/1889 | Sommer . | |
| 1,575,960 | 3/1926 | Bartholomae . | |
| 1,586,769 | 6/1926 | Askin . | |
| 2,454,402 | 11/1948 | Okrain | 84/404 |
| 2,504,456 | 8/1950 | Rundell | 84/404 |
| 2,512,777 | 6/1950 | Rest et al. . | |
| 2,738,697 | 3/1956 | Miller | 84/404 |
| 3,927,490 | 12/1975 | Grayson | 446/418 |
| 4,625,617 | 12/1986 | Hara et al. | 84/404 |
| 4,651,613 | 3/1987 | Harrison | 446/397 |
| 4,901,617 | 2/1990 | Malone et al. | 84/402 |
| 5,072,208 | 12/1991 | Christenson | 340/392 |
| 5,208,578 | 5/1993 | Tury et al. | 340/393 |
| 5,212,331 | 5/1993 | Waldo | 84/404 |

[57] CLAIM

The ornamental design for a musical chime, as shown and described.

DESCRIPTION

FIG. 1 is a top perspective view of a musical chime showing my new design;

FIG. 2 is a bottom perspective view thereof;

FIG. 3 is an elevational view of a front side thereof, a back side thereof being identical to the front side;

FIG. 4 is an elevational view of a first side thereof, a second side thereof being identical to the first side;

FIG. 5 is a top plan view thereof; and,

FIG. 6 is a bottom plan view thereof.

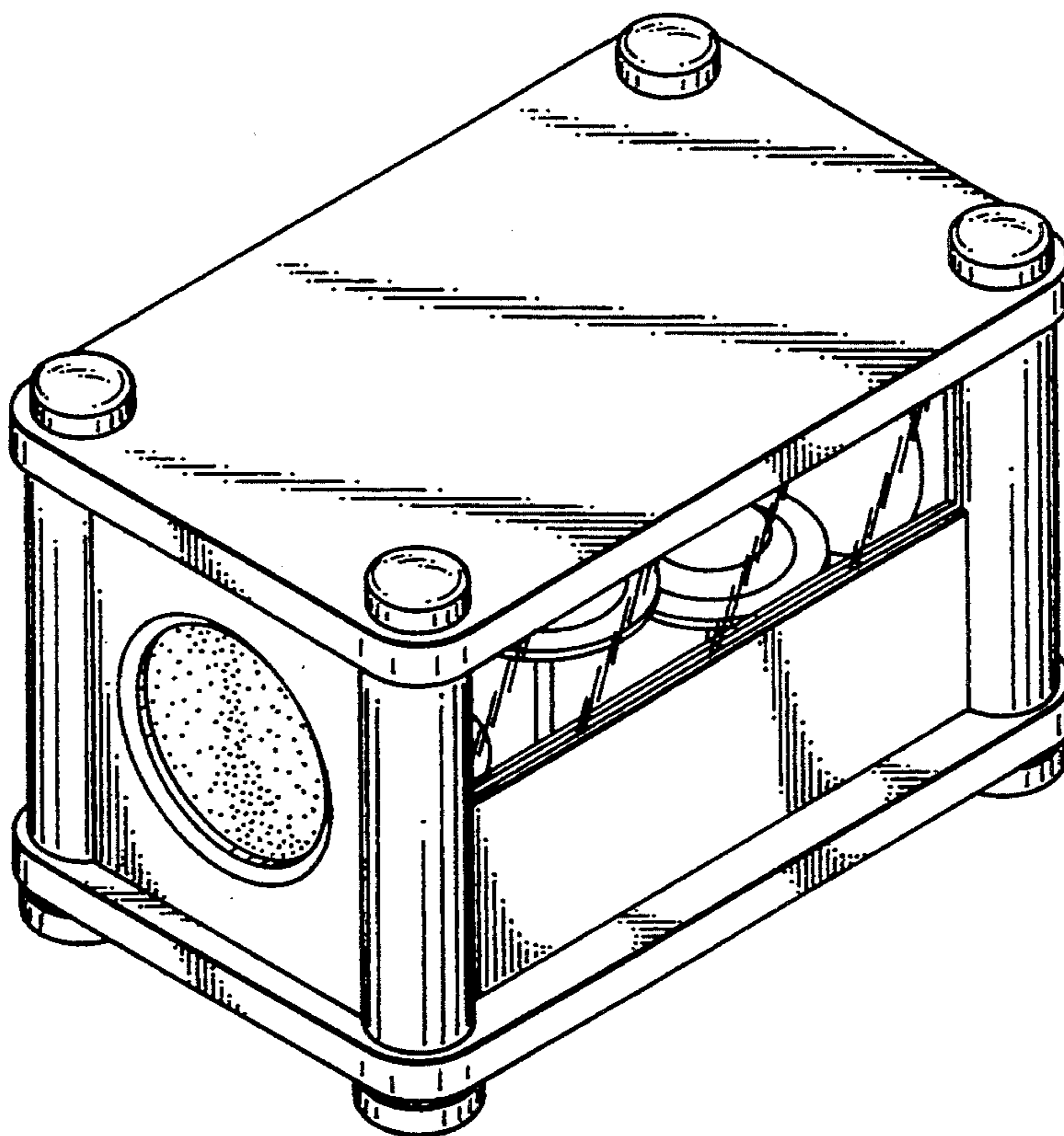


FIG. 1

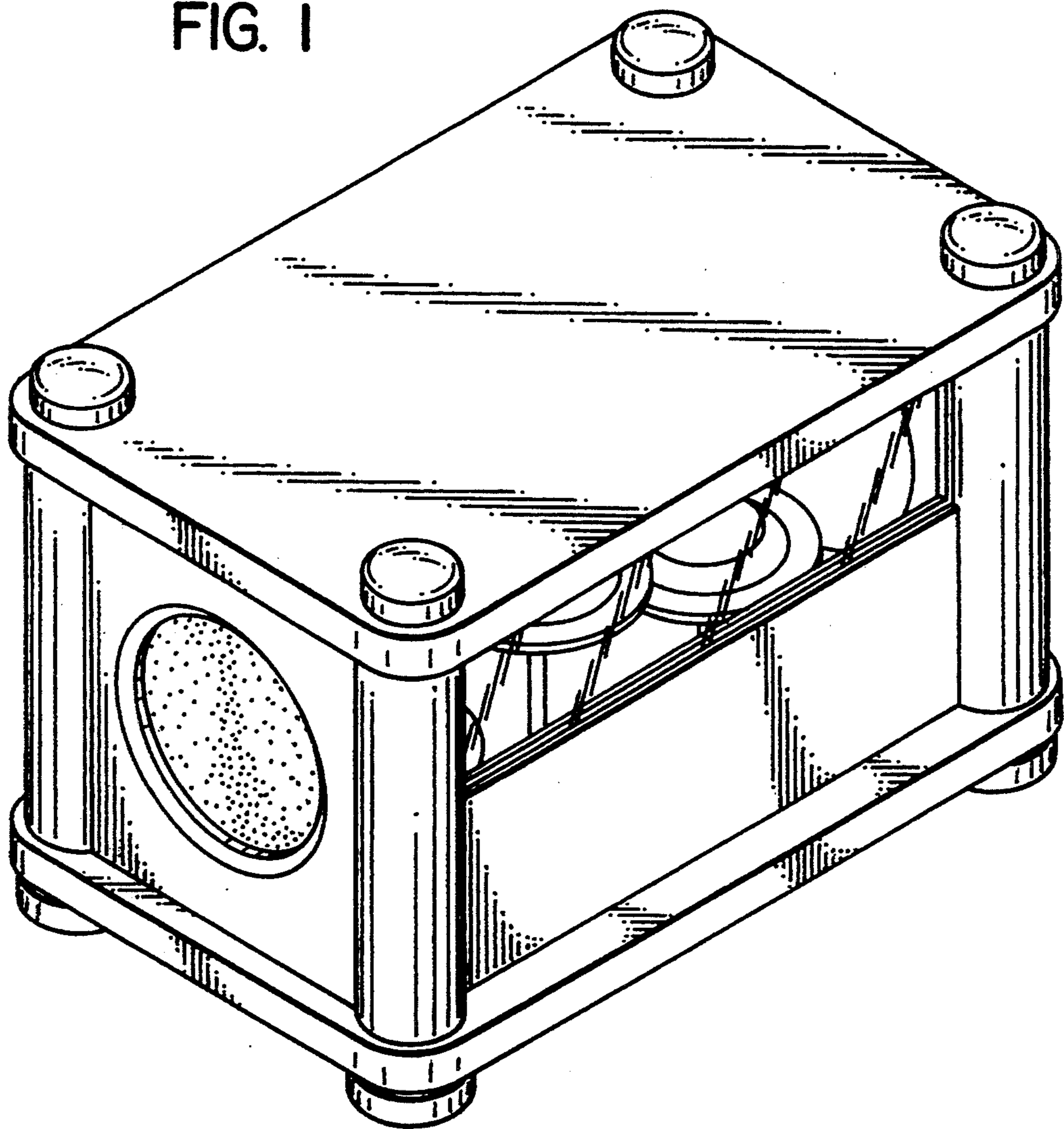


FIG. 2

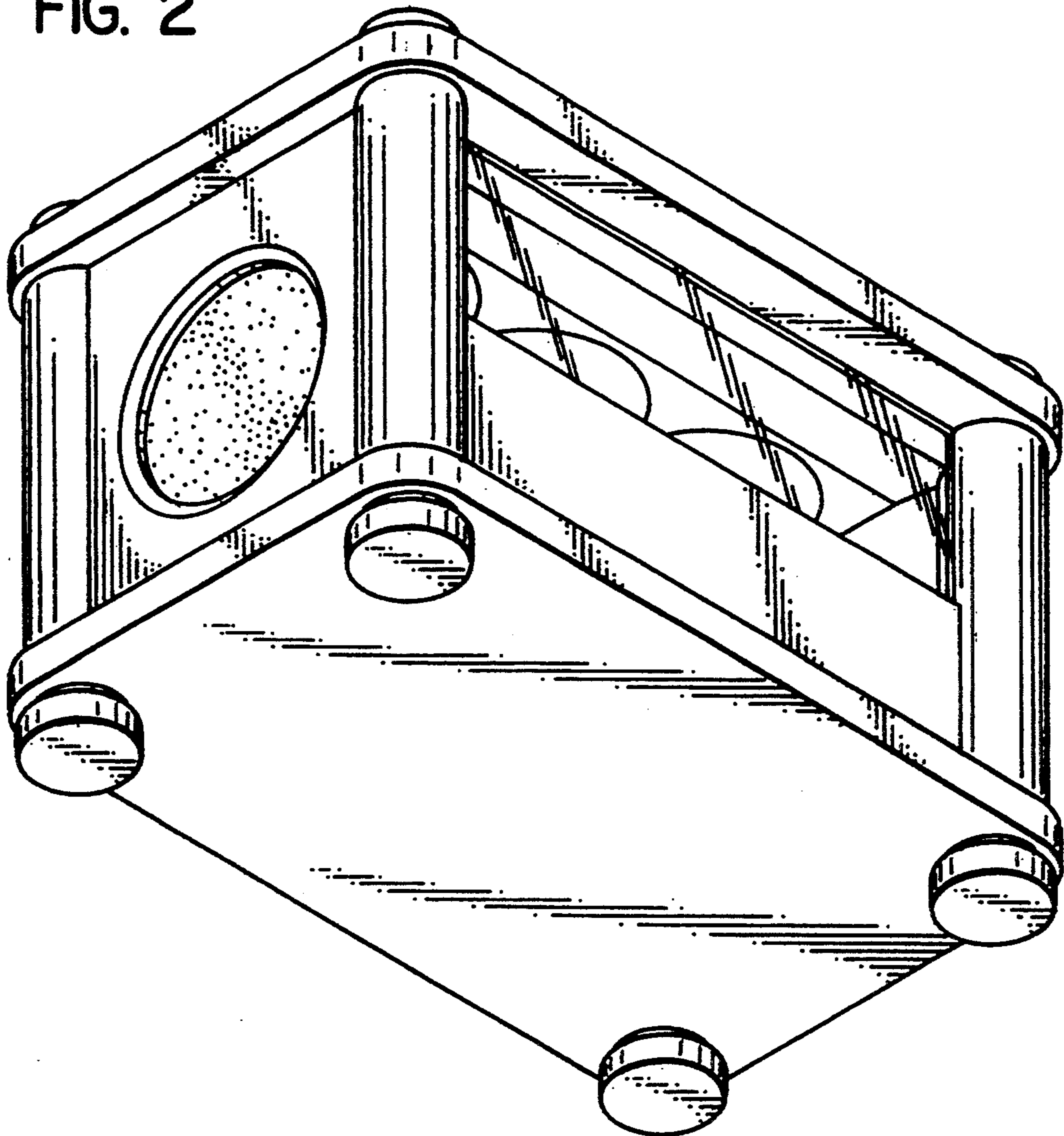


FIG. 3

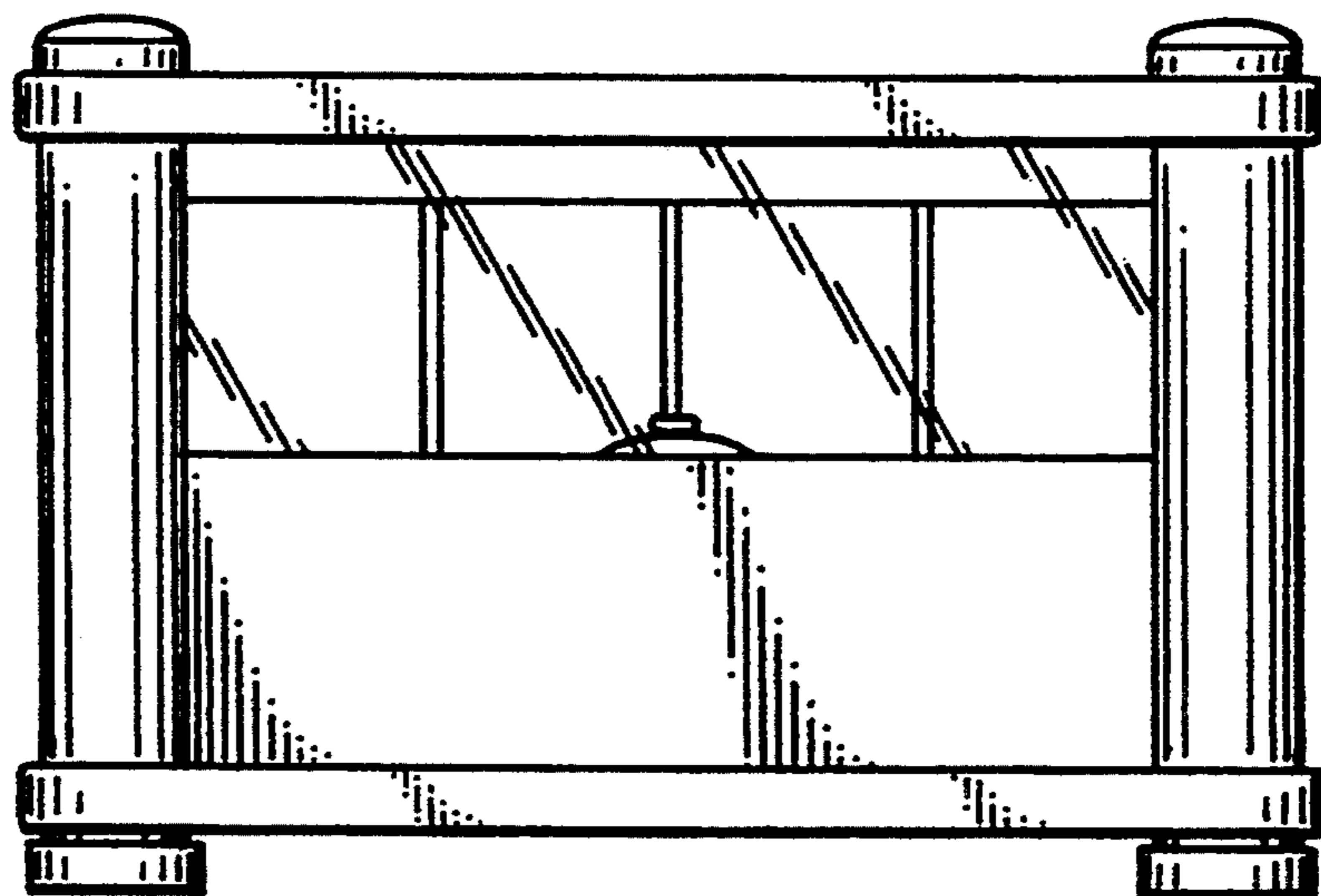


FIG. 4

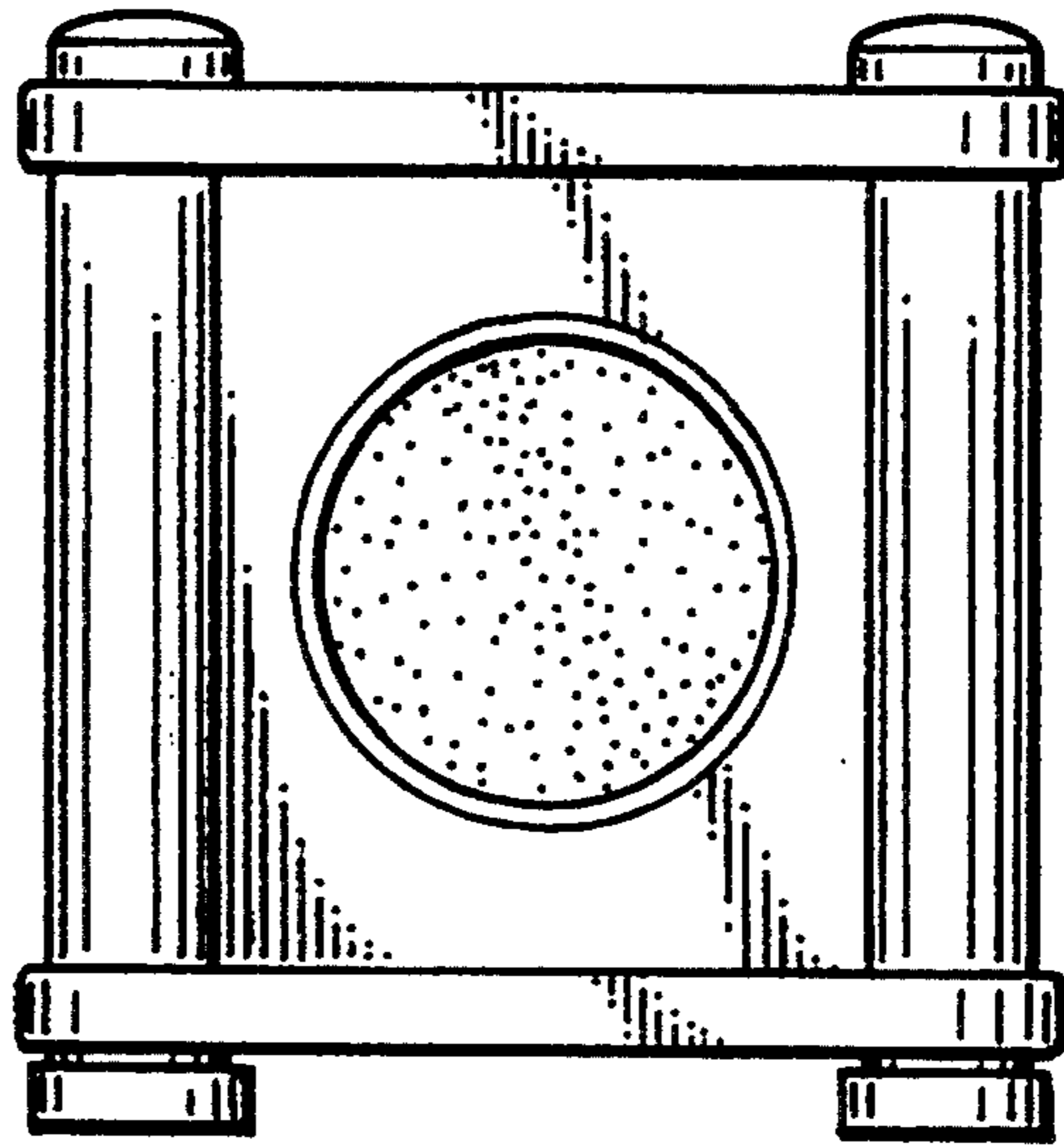


FIG. 5

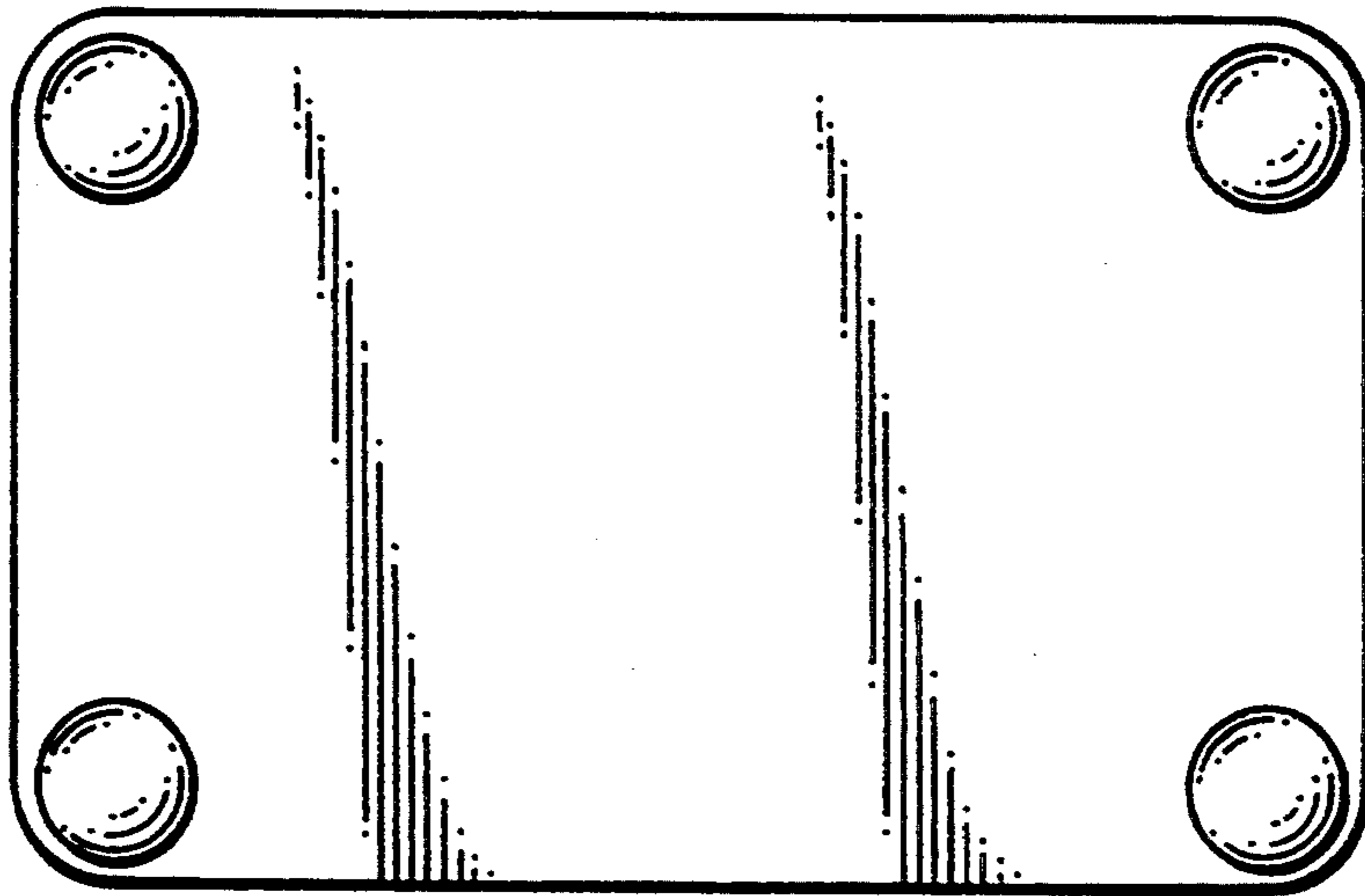


FIG. 6

