



US00D359062S

# United States Patent [19]

[11] Patent Number: **Des. 359,062**

**Bisson**

[45] Date of Patent: **\*\* Jun. 6, 1995**

[54] **CONTACT LENS CLEANER**

5,270,002 12/1993 Neff, II ..... 206/5.1  
5,280,834 1/1994 Berkley ..... 206/5.1

[76] Inventor: **Evie Bisson**, 4341 Arbor Bridge Dr.,  
Marietta, Ga. 30066

*Primary Examiner*—Bernard Ansher  
*Assistant Examiner*—R. Barkai  
*Attorney, Agent, or Firm*—Hopkins & Thomas; James  
W. Kayden

[\*\*] Term: **14 Years**

[21] Appl. No.: **3,833**

[57] **CLAIM**

[22] Filed: **Jan. 21, 1993**

The ornamental design for a contact lens cleaner, as  
shown and described.

[52] U.S. Cl. .... **D16/331**

[58] Field of Search ..... **D16/124; D24/218;**  
**D3/219; 206/5.1; 134/901**

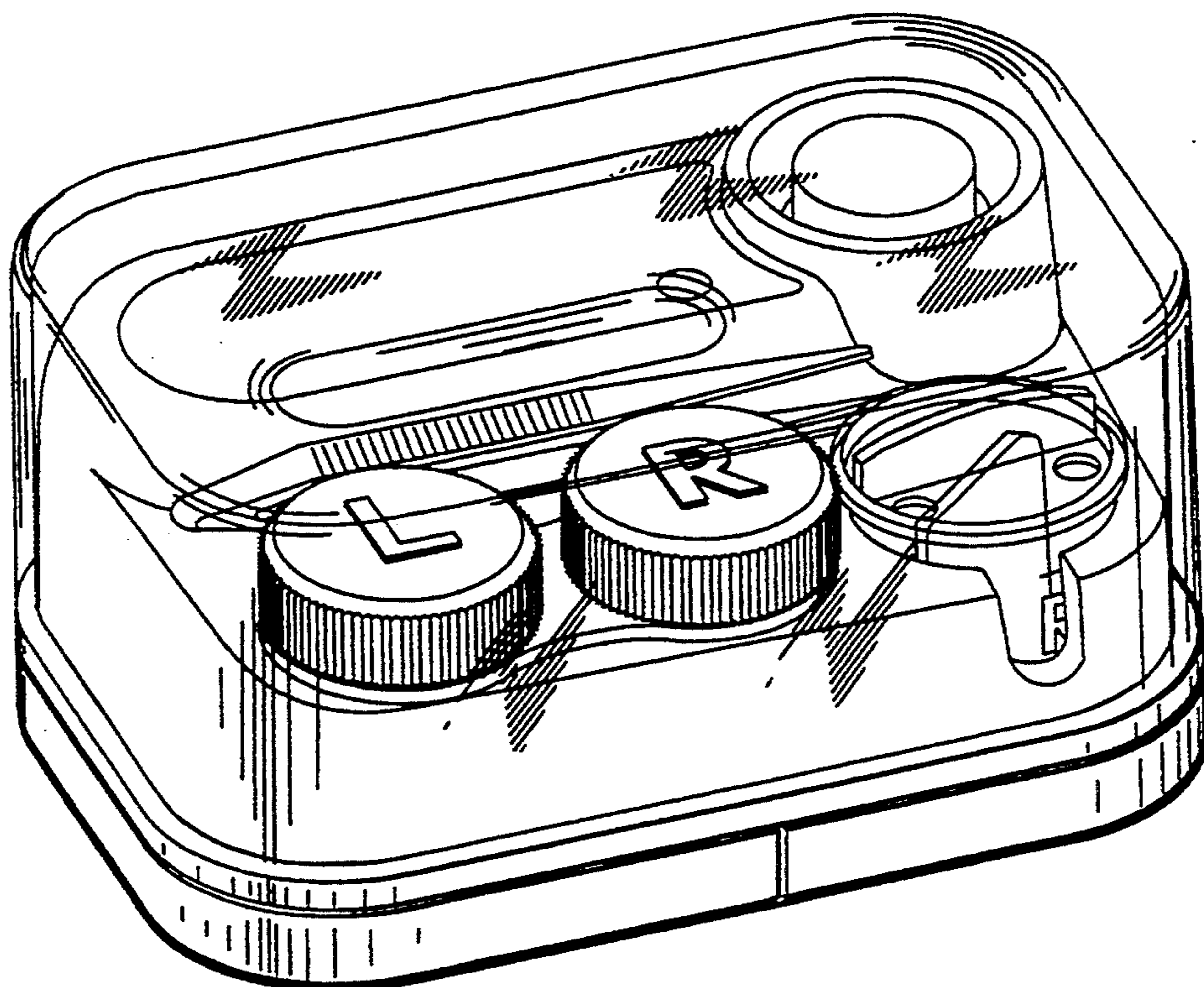
**DESCRIPTION**

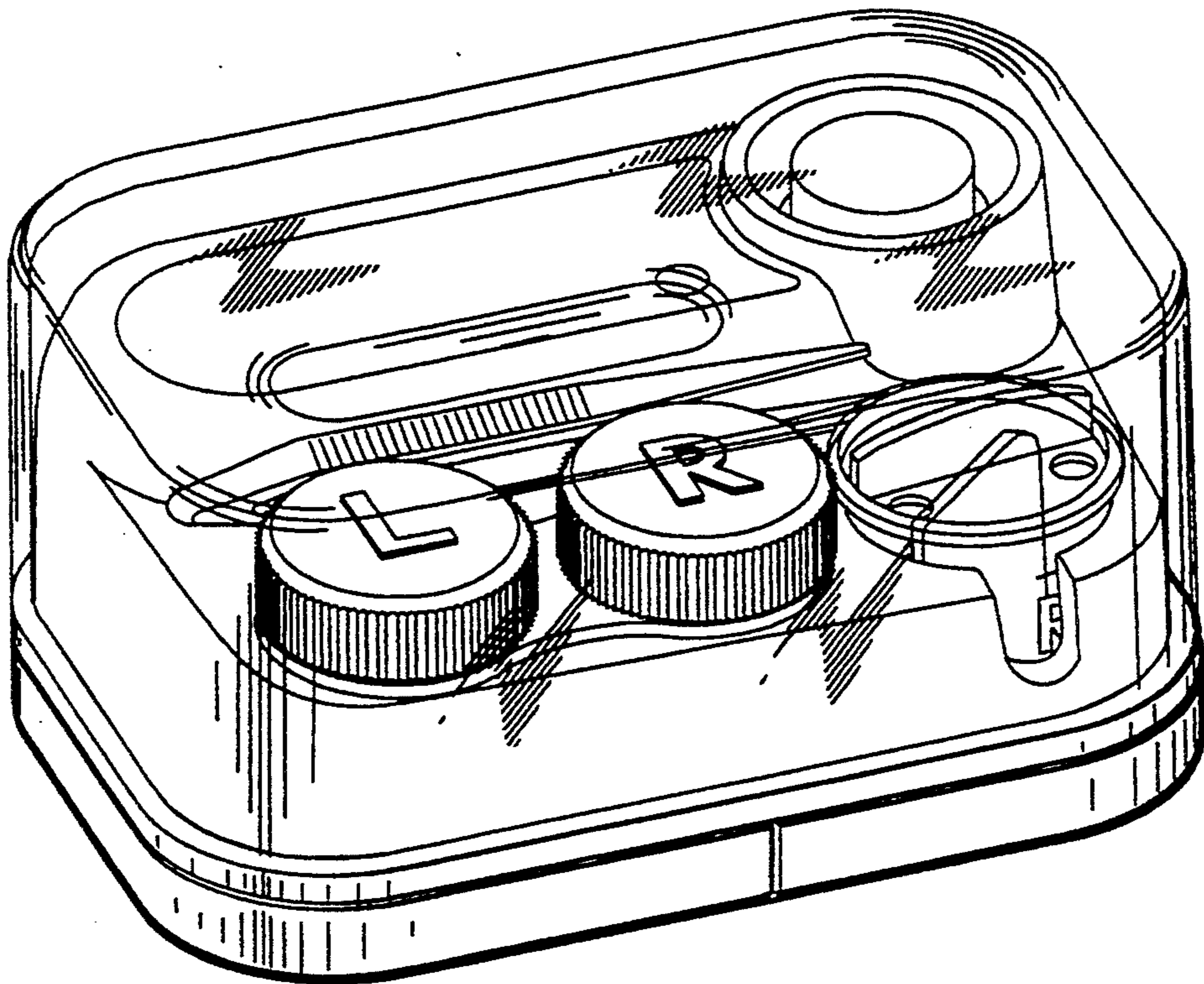
[56] **References Cited**

**U.S. PATENT DOCUMENTS**

D. 312,086	11/1990	Emmett	.....	D16/124
2,877,779	3/1959	Bromberg	.....	206/5.1
4,823,944	4/1989	Ryder	.....	206/5.1
4,909,382	3/1990	Cuppari	.....	206/5.1
4,957,128	9/1990	Chen	.....	206/5.1
5,224,593	7/1993	Bennett	.....	206/5.1

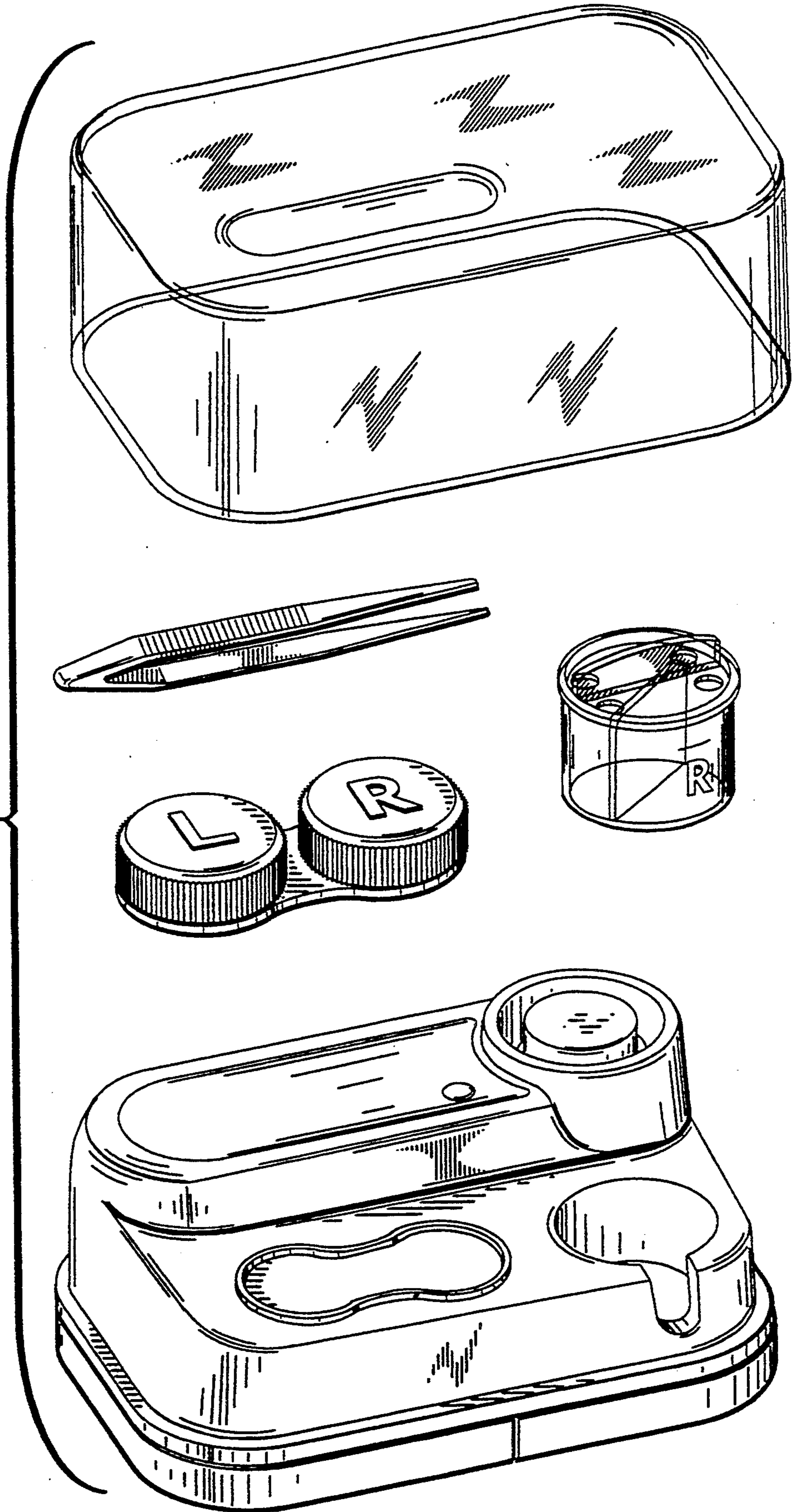
FIG. 1 is a perspective view of a contact lens cleaner  
showing my new design;  
FIG. 2 is an exploded perspective view thereof;  
FIG. 3 is a front elevational view thereof;  
FIG. 4 is a rear elevational view thereof;  
FIG. 5 is a right side elevational view thereof;  
FIG. 6 is a left side elevational view thereof;  
FIG. 7 is a top plan view thereof; and,  
FIG. 8 is a bottom plan view thereof.

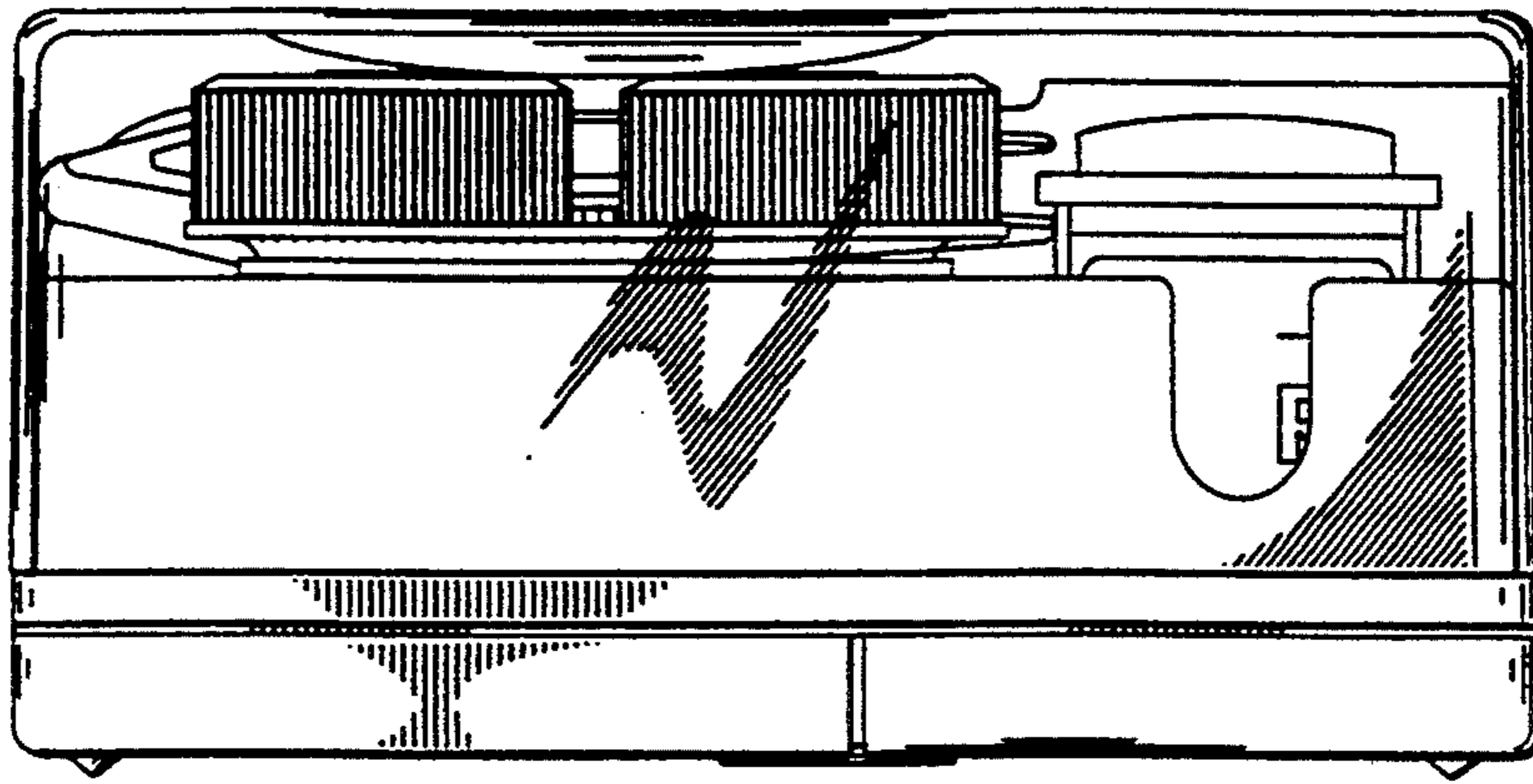




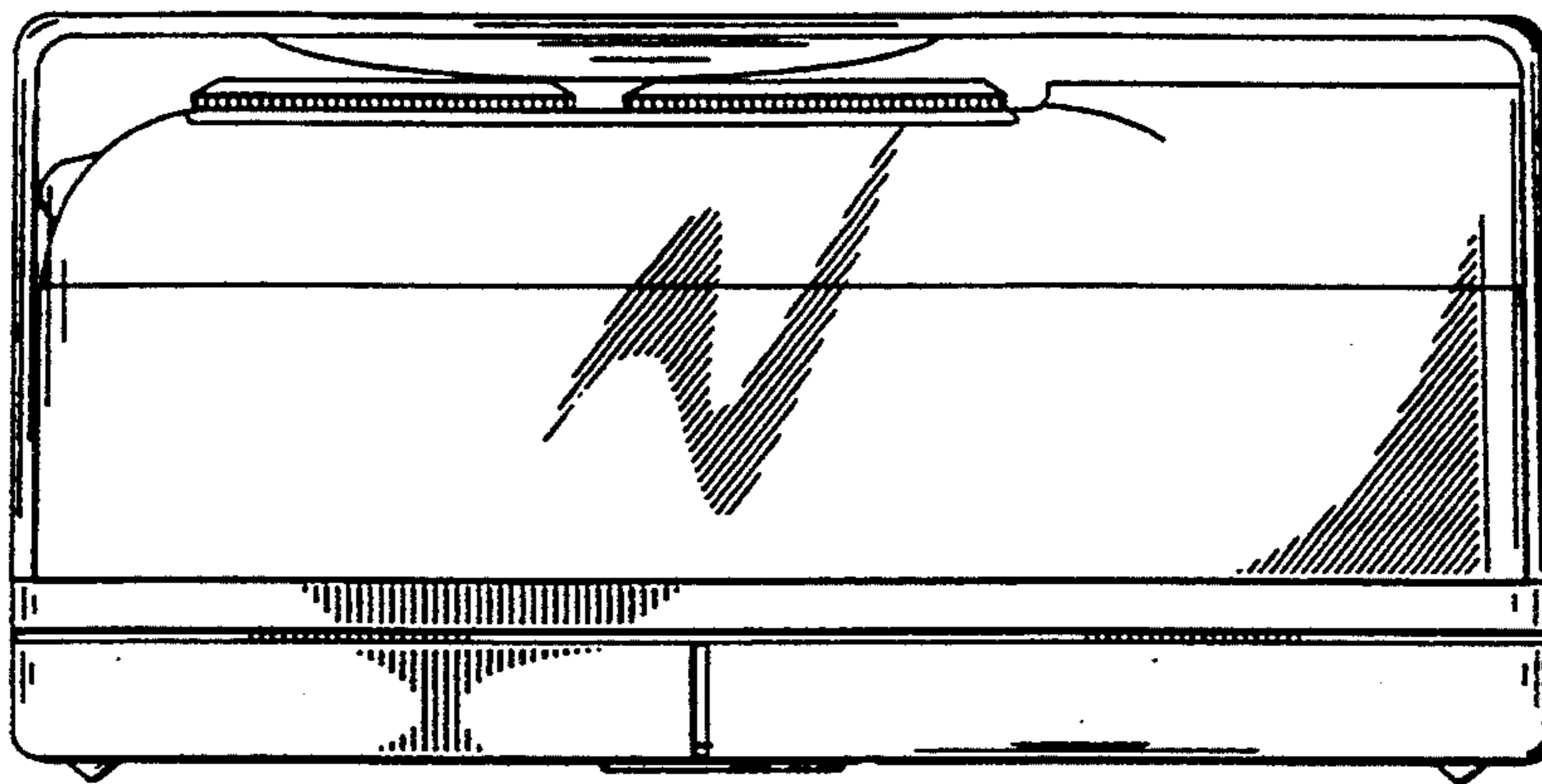
**FIG 1**

FIG 2

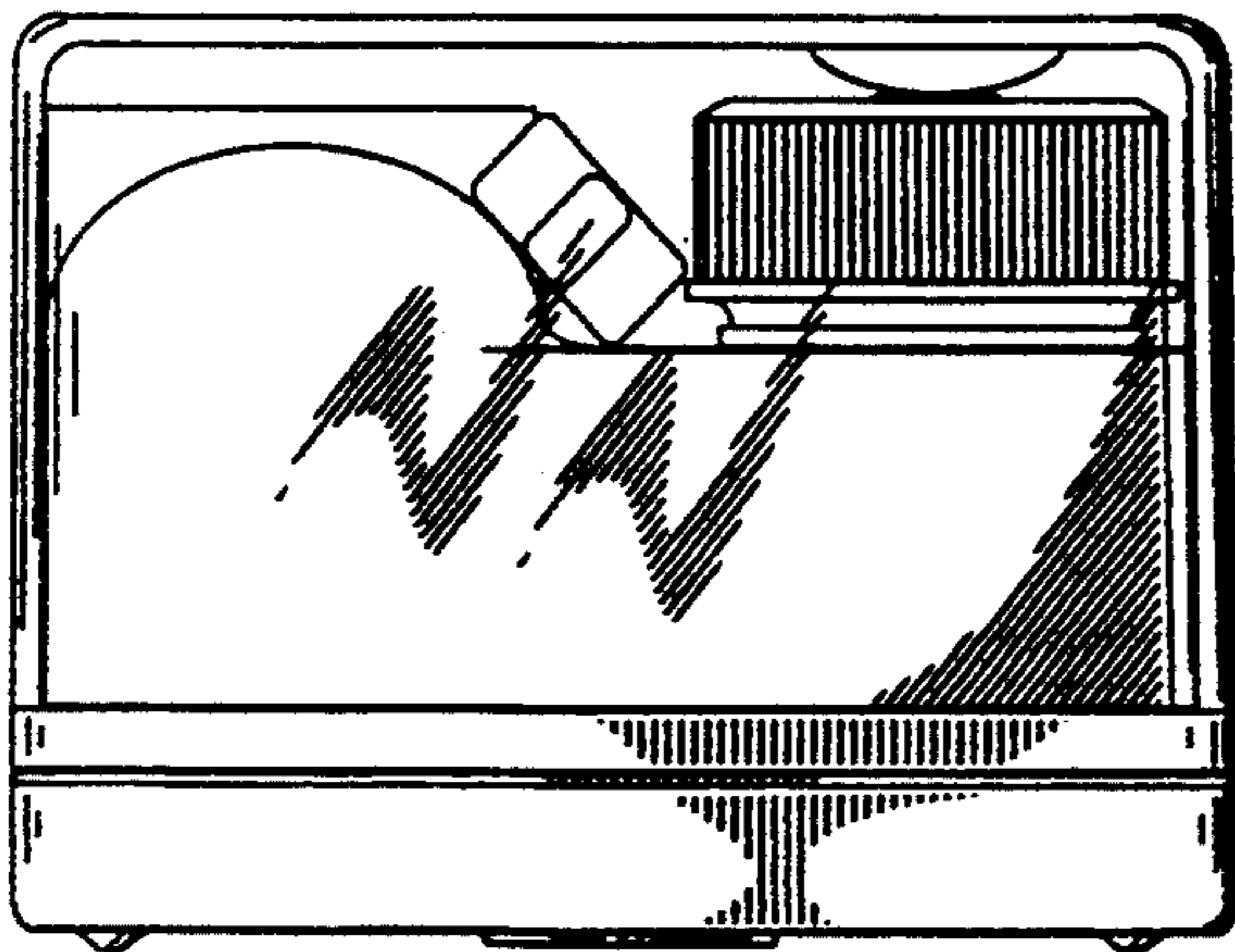




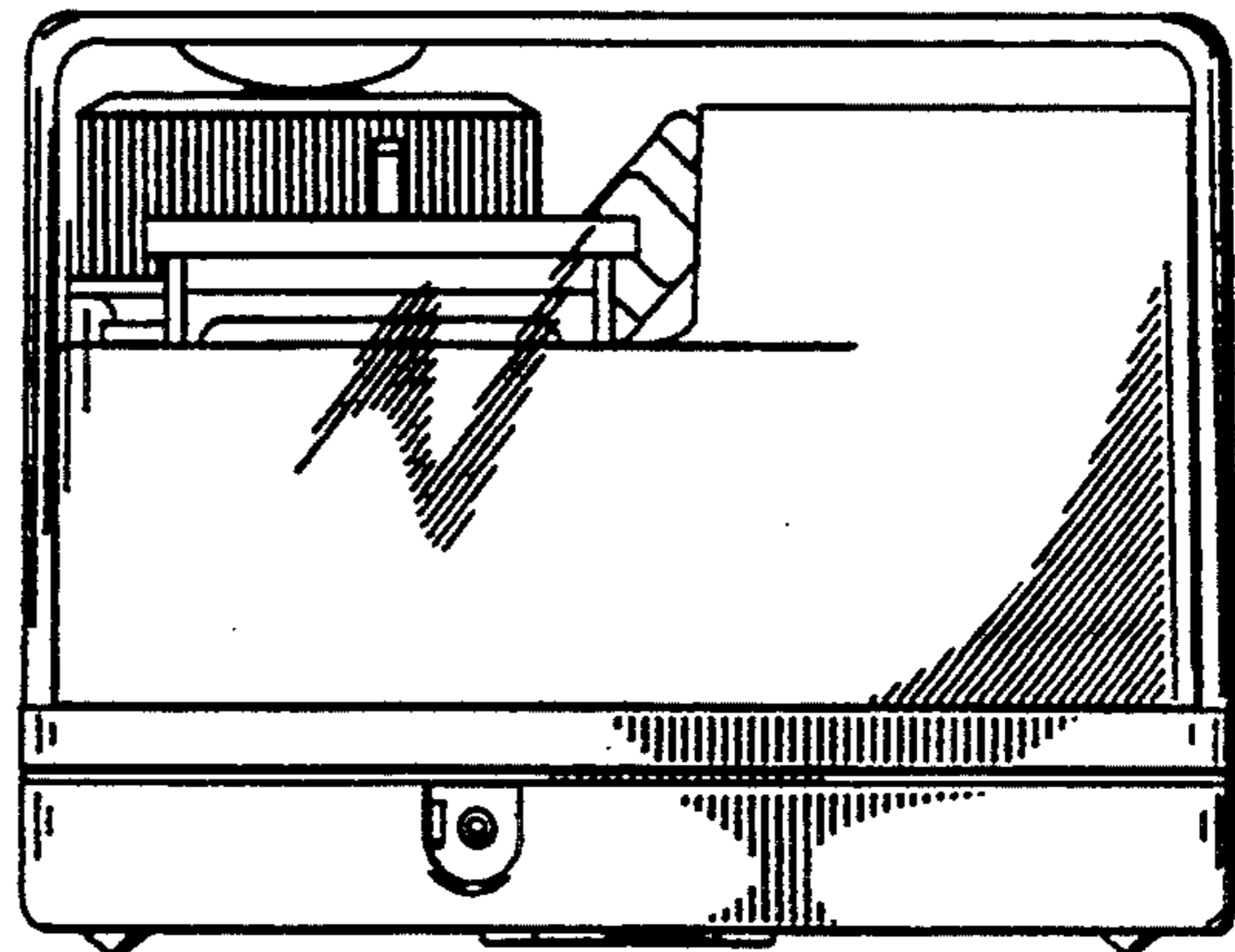
**FIG 3**



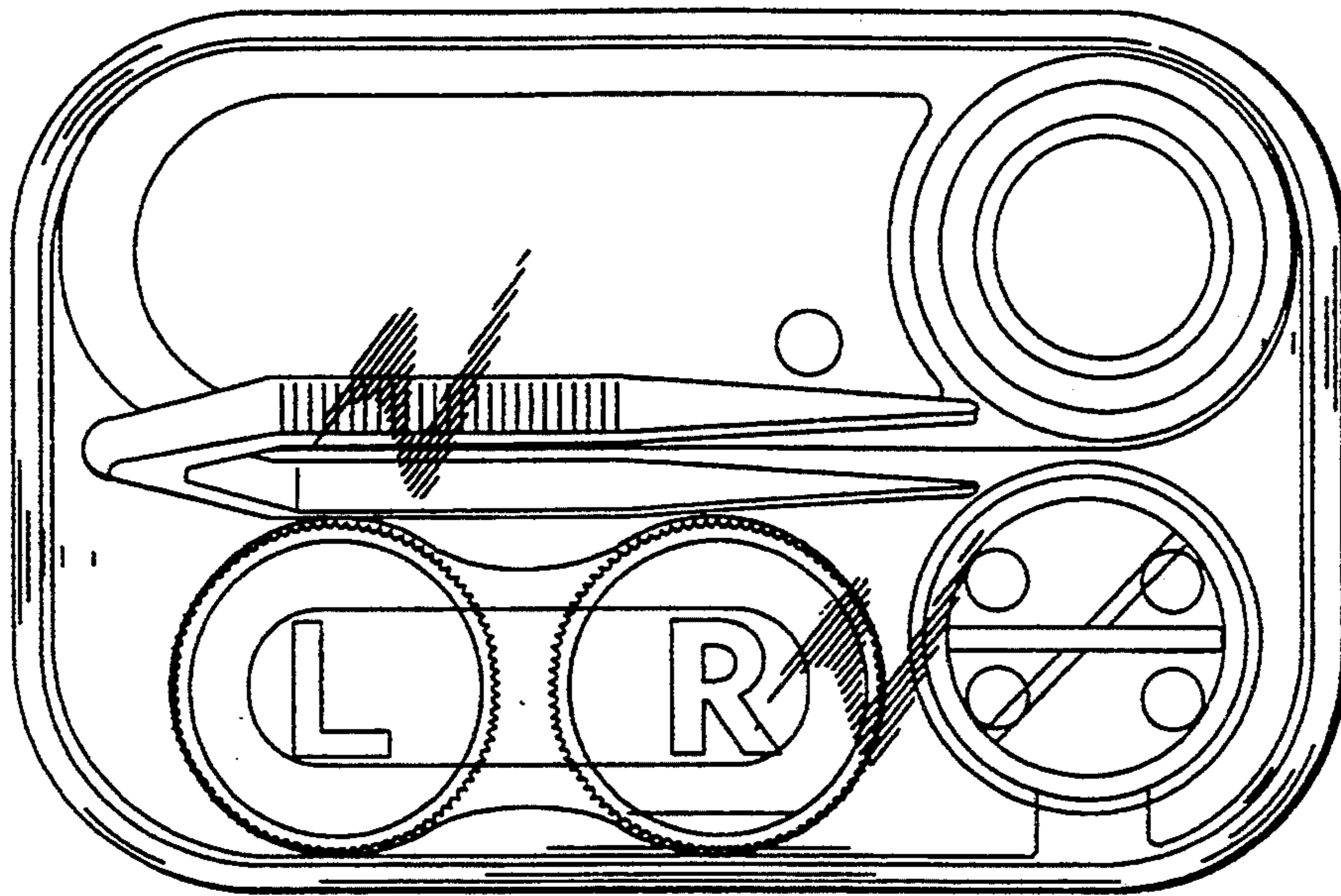
**FIG 4**



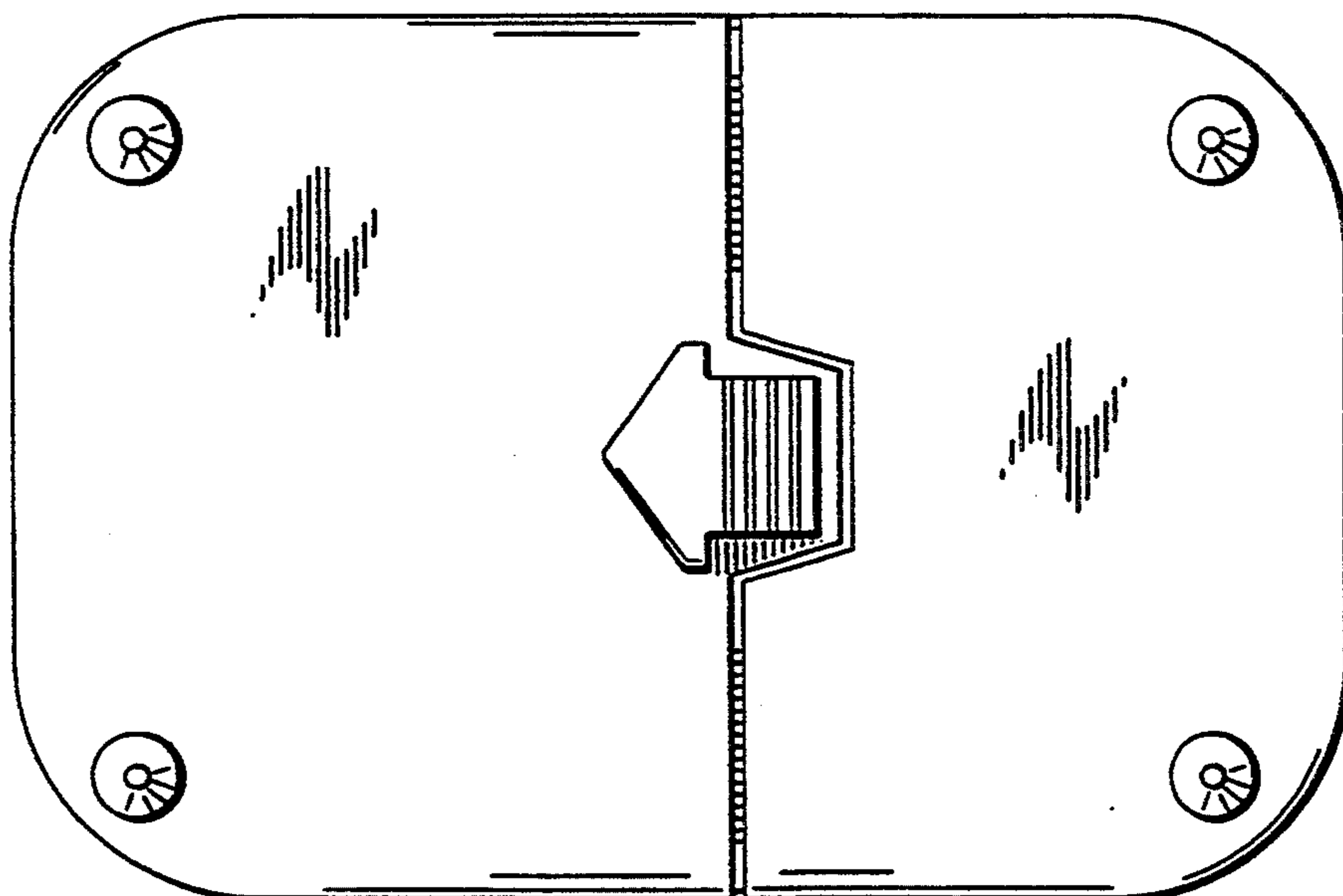
**FIG 5**



**FIG 6**



**FIG 7**



**FIG 8**