



US00D359061S

# United States Patent [19]

[11] Patent Number: Des. 359,061

Omi

[45] Date of Patent: \*\* Jun. 6, 1995

[54] PROJECTOR FOR AN OPTICAL INSTRUMENT

[75] Inventor: Shoichi Omi, Tokyo, Japan

[73] Assignee: Lunax Company Limited, Ibaraki, Japan

[\*\*] Term: 14 Years

[21] Appl. No.: 16,094

[22] Filed: Dec. 7, 1993

[30] Foreign Application Priority Data

Jun. 7, 1993 [JP] Japan ..... 5-16942

[52] U.S. Cl. .... D16/136; D16/221

[58] Field of Search ..... D16/136, 221; D10/46; D24/150; 351/200; 353/71, 74, 75, 76, 77, 78, 66, 38, 98, 99

[56] References Cited

U.S. PATENT DOCUMENTS

D. 218,071	7/1970	Armbruster	.....	D16/221
D. 319,874	9/1991	Höelbl	.....	D16/221 X
3,164,058	1/1965	Kosowsky	.....	353/98 X
3,598,482	8/1971	Miller	.....	353/98
3,900,253	8/1975	Asterö	.....	353/98 X

Primary Examiner—A. Hugo Word  
Assistant Examiner—Catherine R. Oliver  
Attorney, Agent, or Firm—Popham, Haik, Schnobrich & Kaufman, Ltd.

[57] CLAIM

The ornamental design for a projector for an optical instrument, as shown and described.

DESCRIPTION

FIG. 1 is a perspective view of a projector for an optical instrument showing my new design, taken from a front, left and upper position thereof;

FIG. 2 is a rear perspective view thereof;

FIG. 3 is a front elevational view thereof;

FIG. 4 is a rear elevational view thereof;

FIG. 5 is a top plan view thereof;

FIG. 6 is a bottom plan view thereof;

FIG. 7 is a left side elevational view thereof;

FIG. 8 is a right side elevational view thereof;

FIG. 9 is a perspective view from which a screen is withdrawn; and,

FIG. 10 is a perspective view, the broken line showing of a microscope is for illustrative purposes only and forms no part of claimed design.

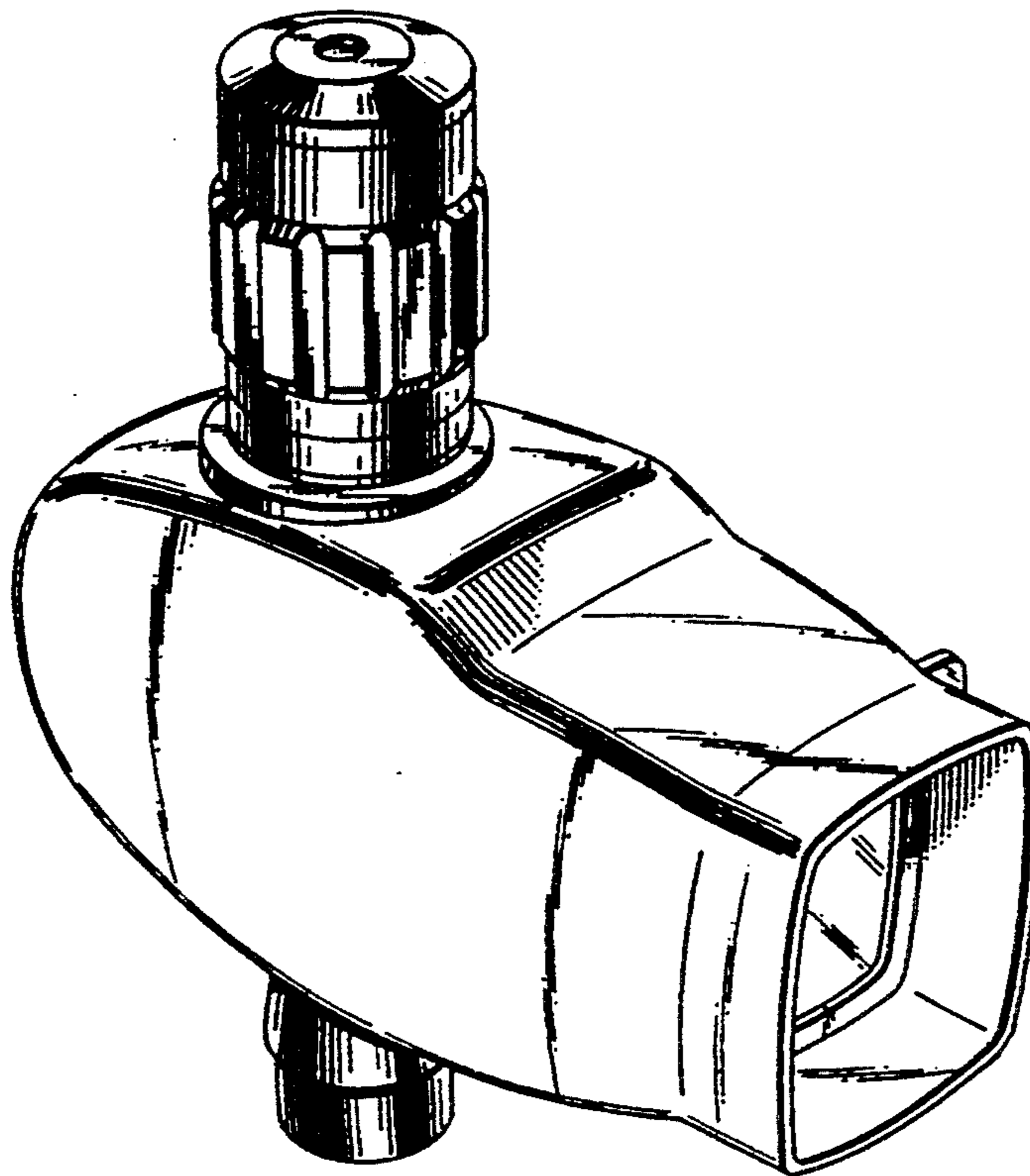


FIG. 1

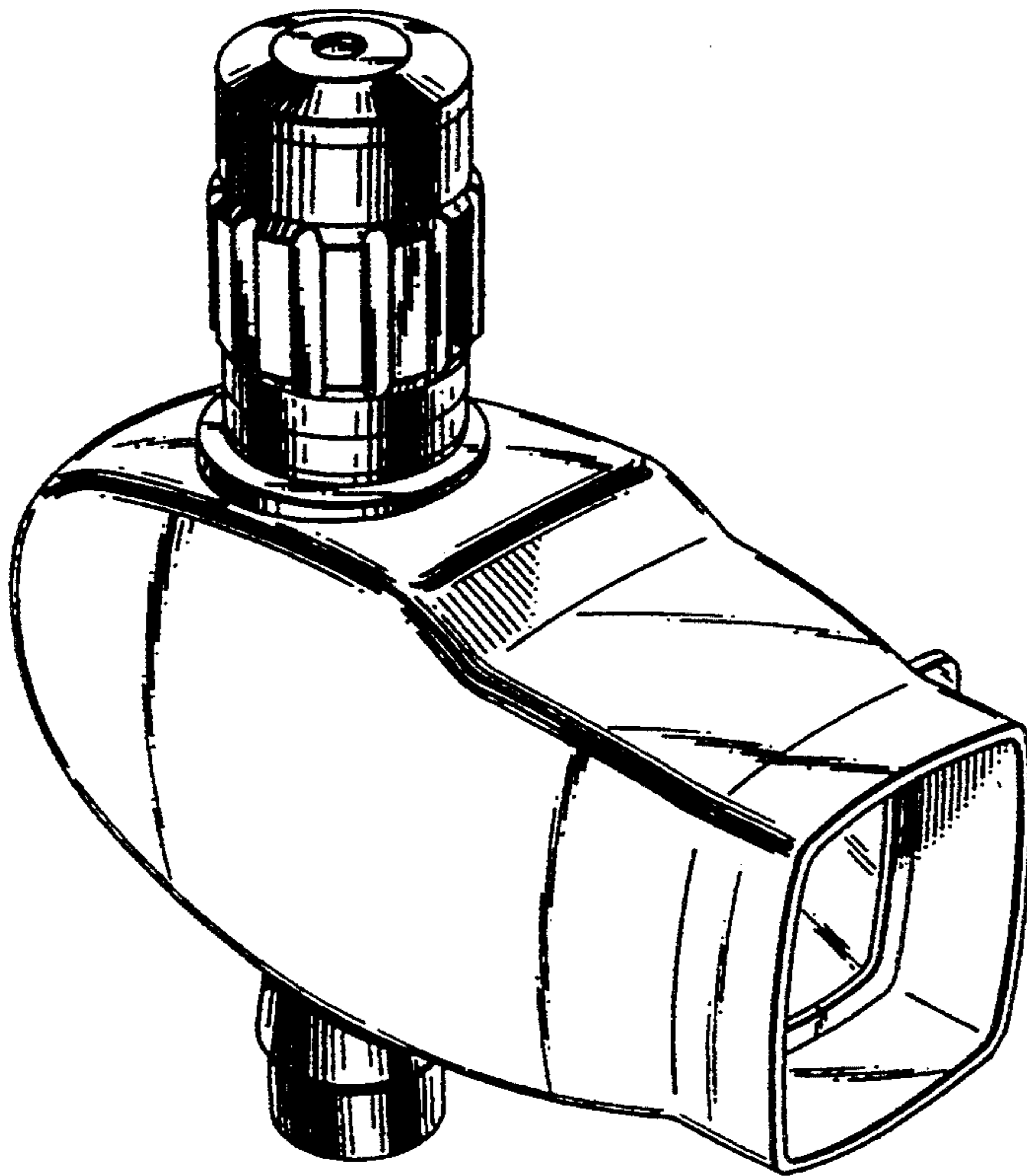


FIG. 2

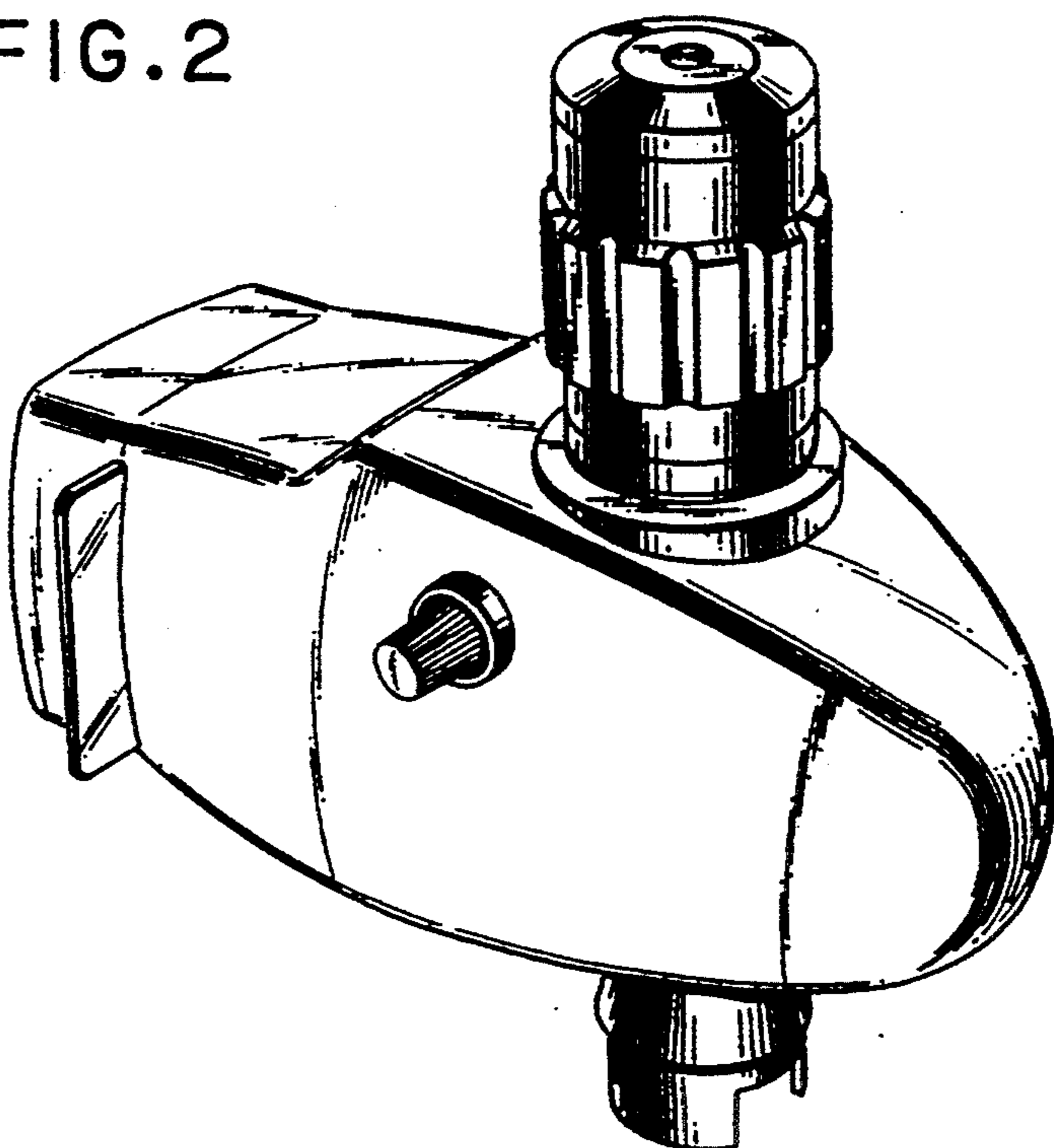


FIG. 3

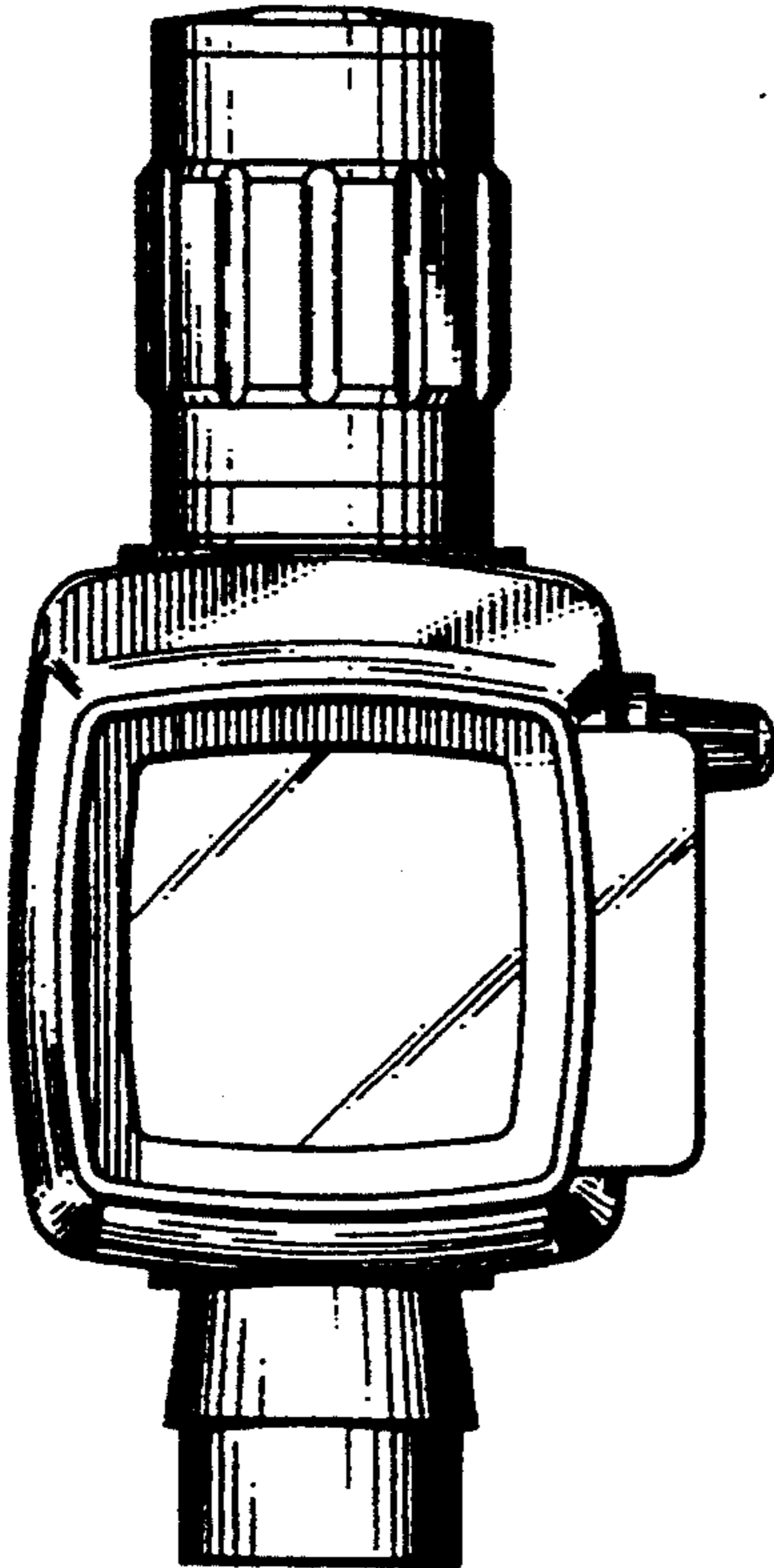


FIG. 4

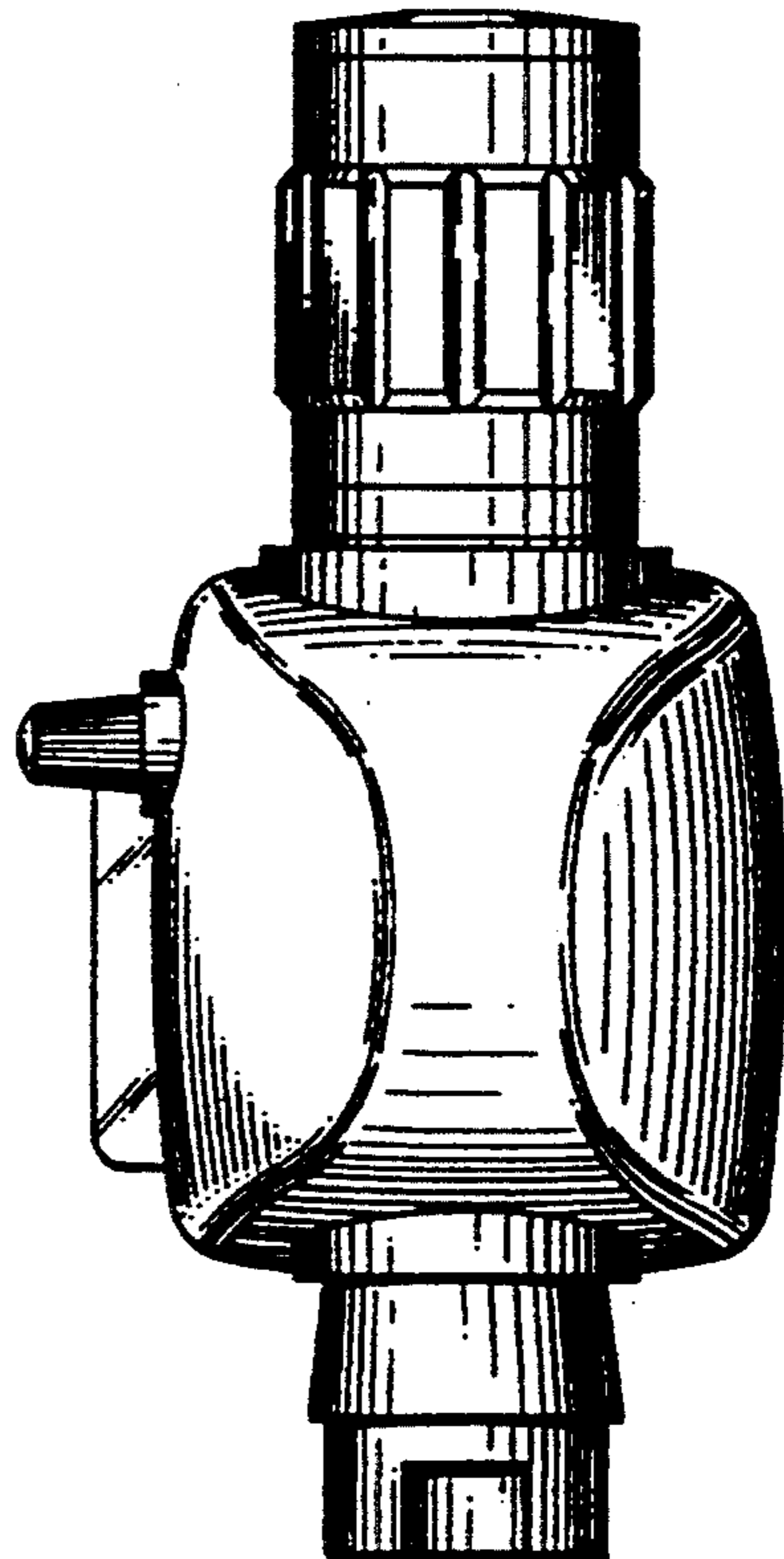


FIG. 5

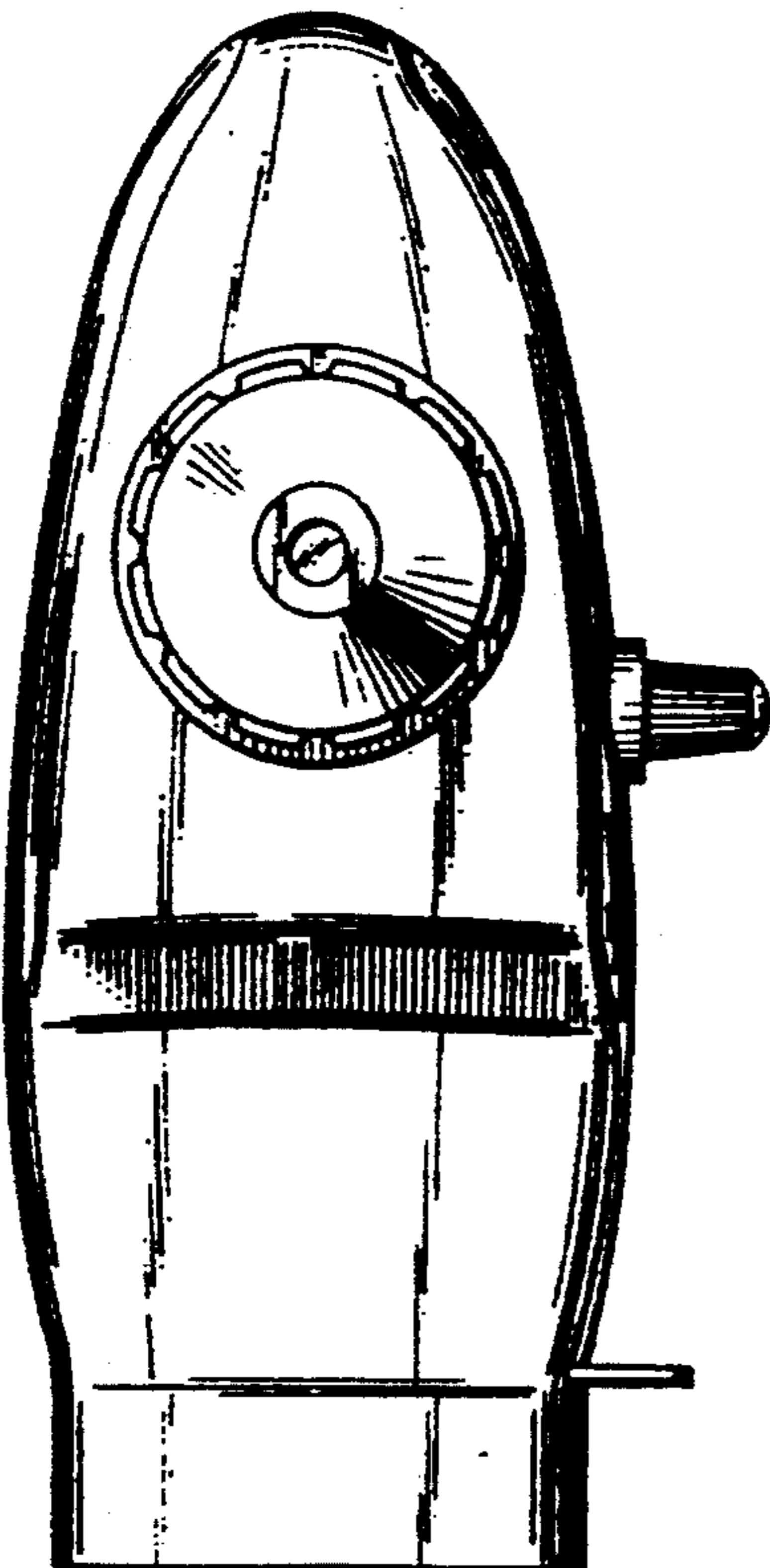


FIG. 6

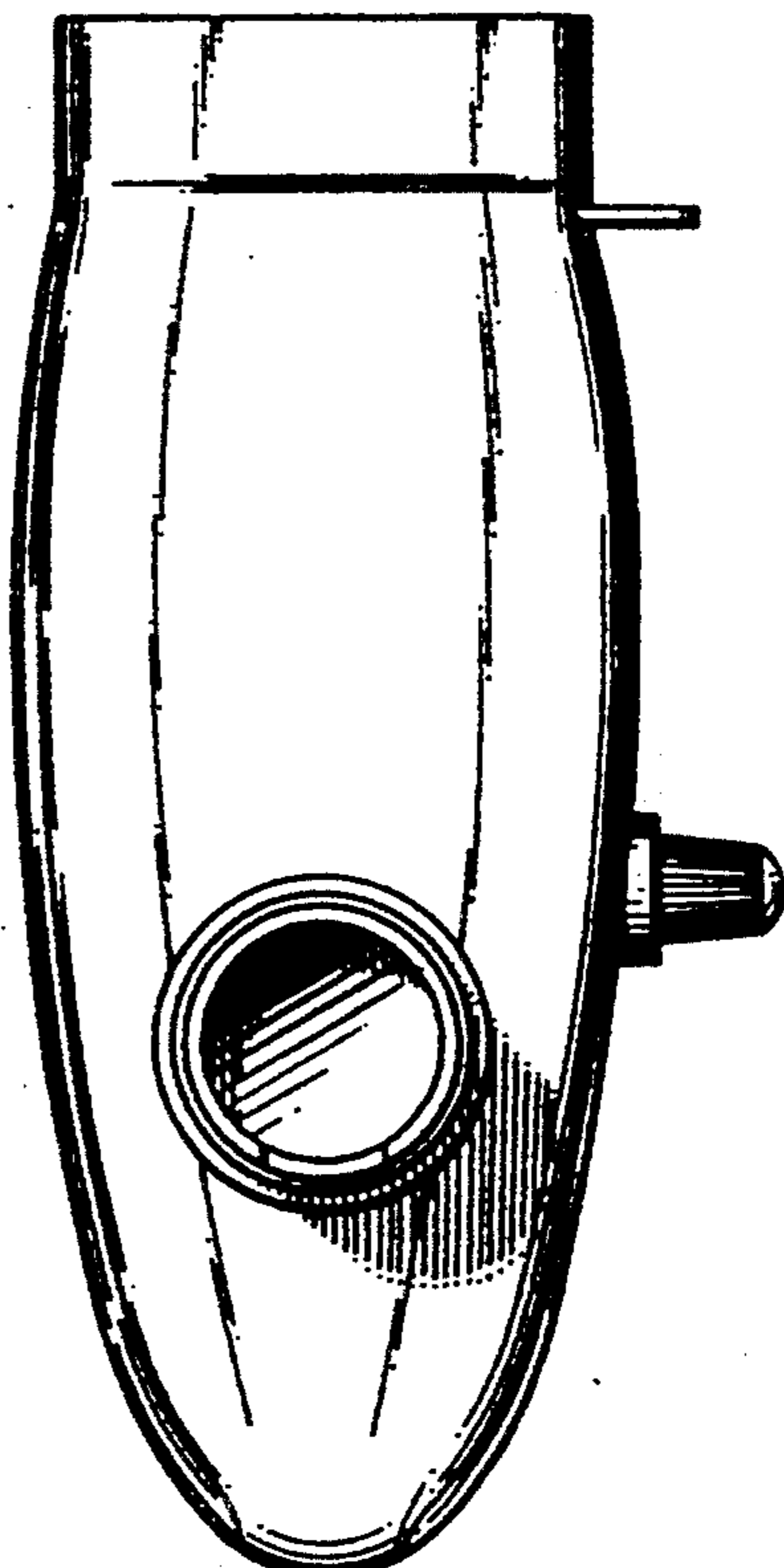


FIG. 7

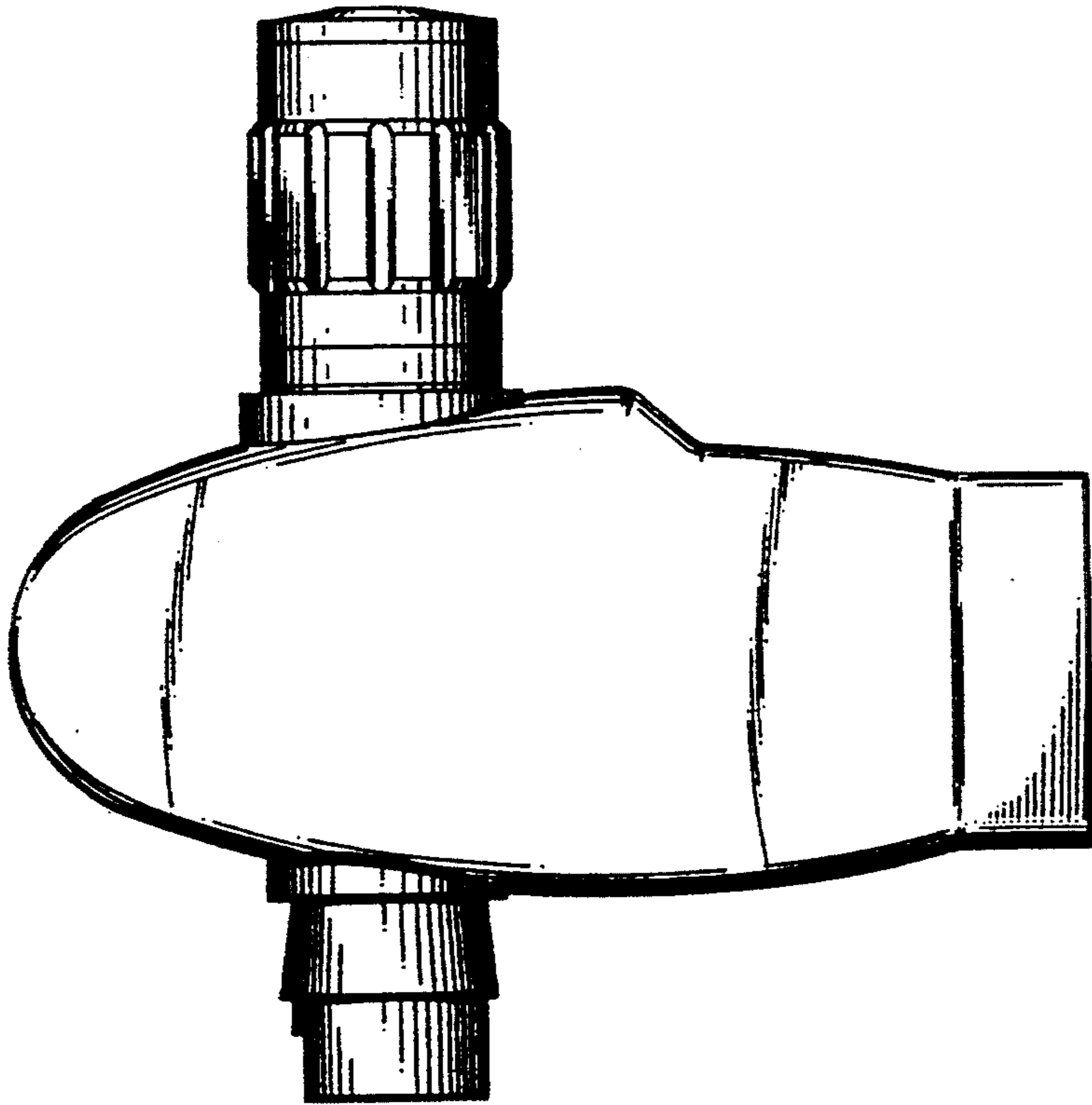
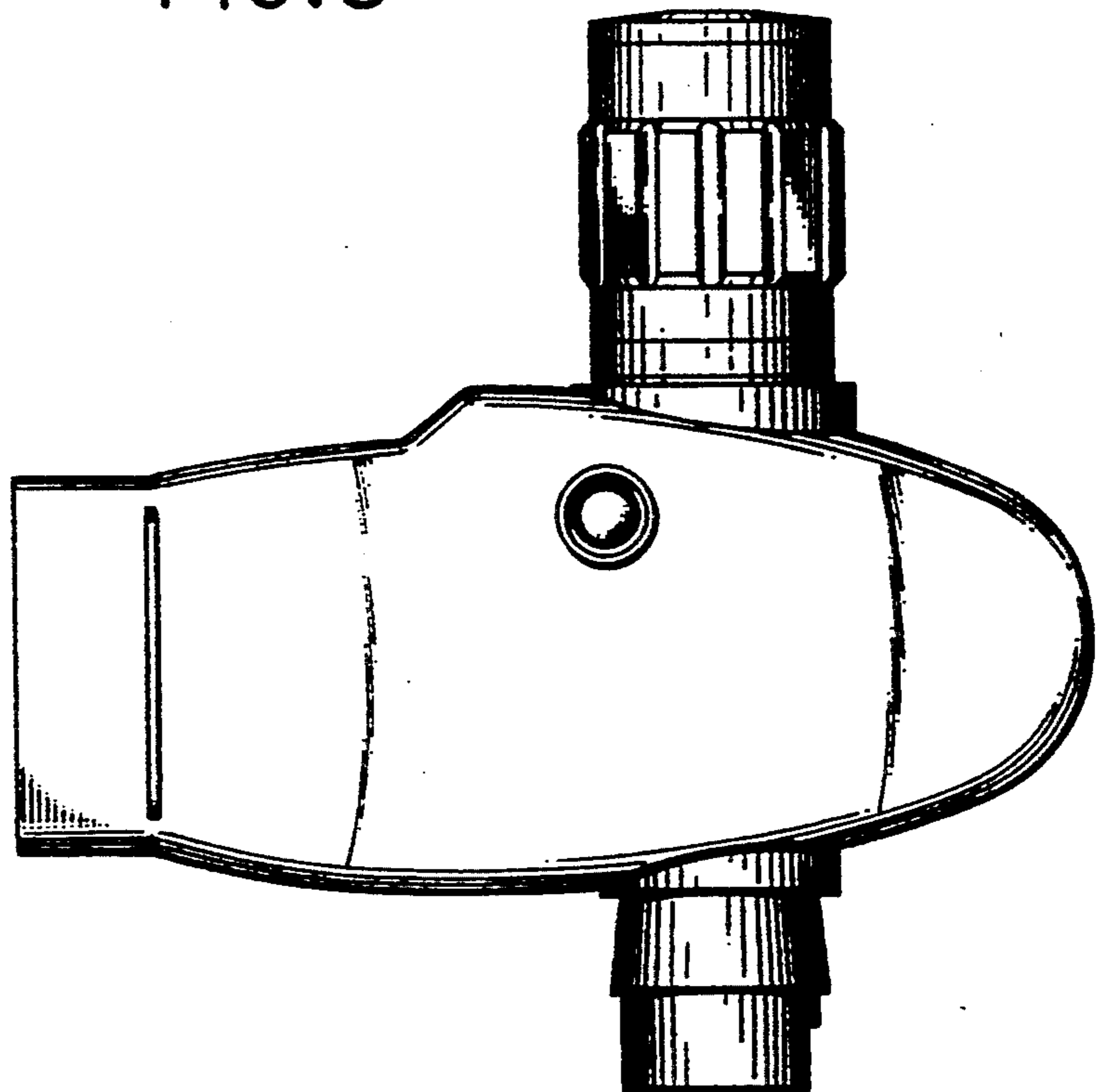


FIG. 8



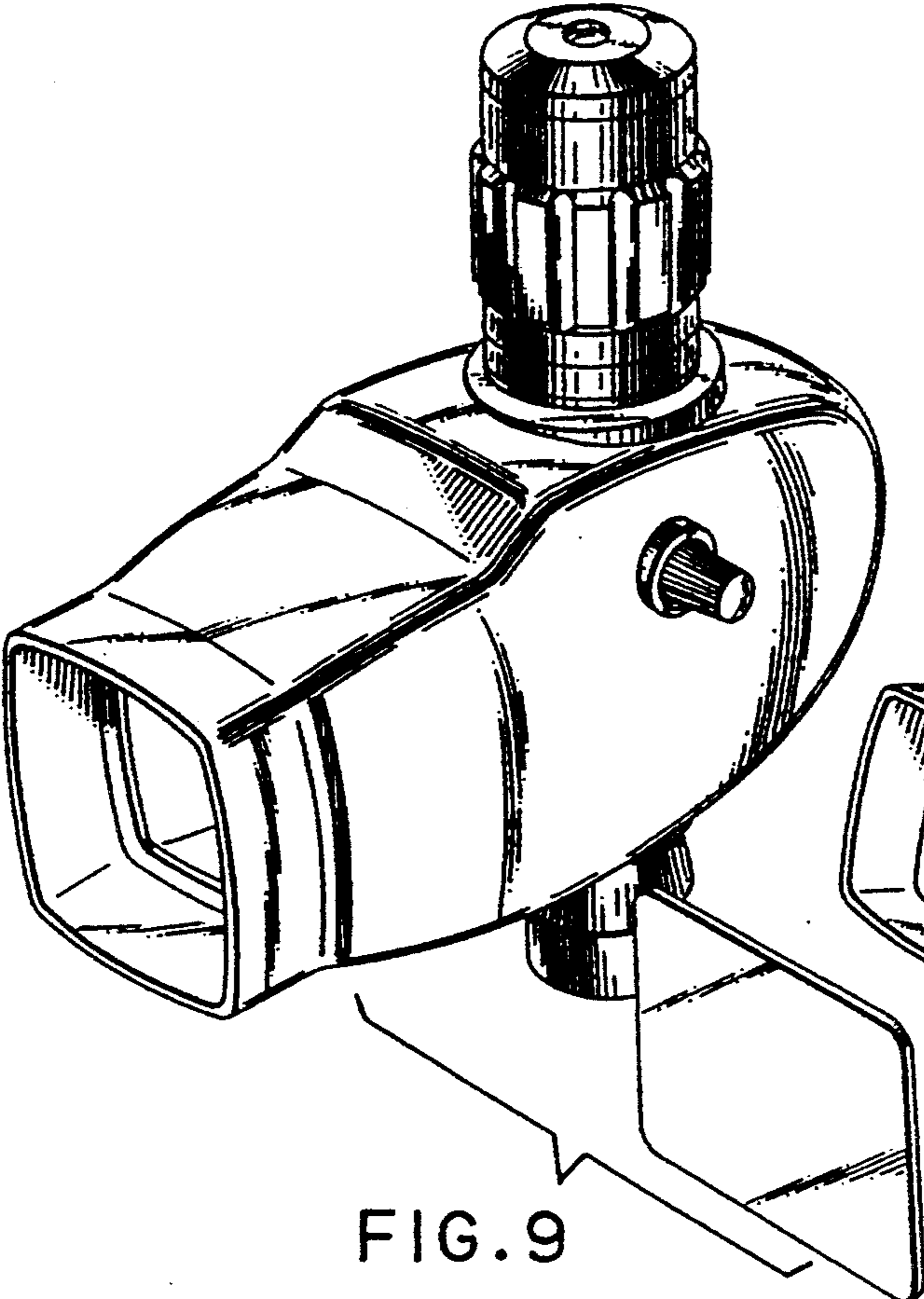


FIG. 9

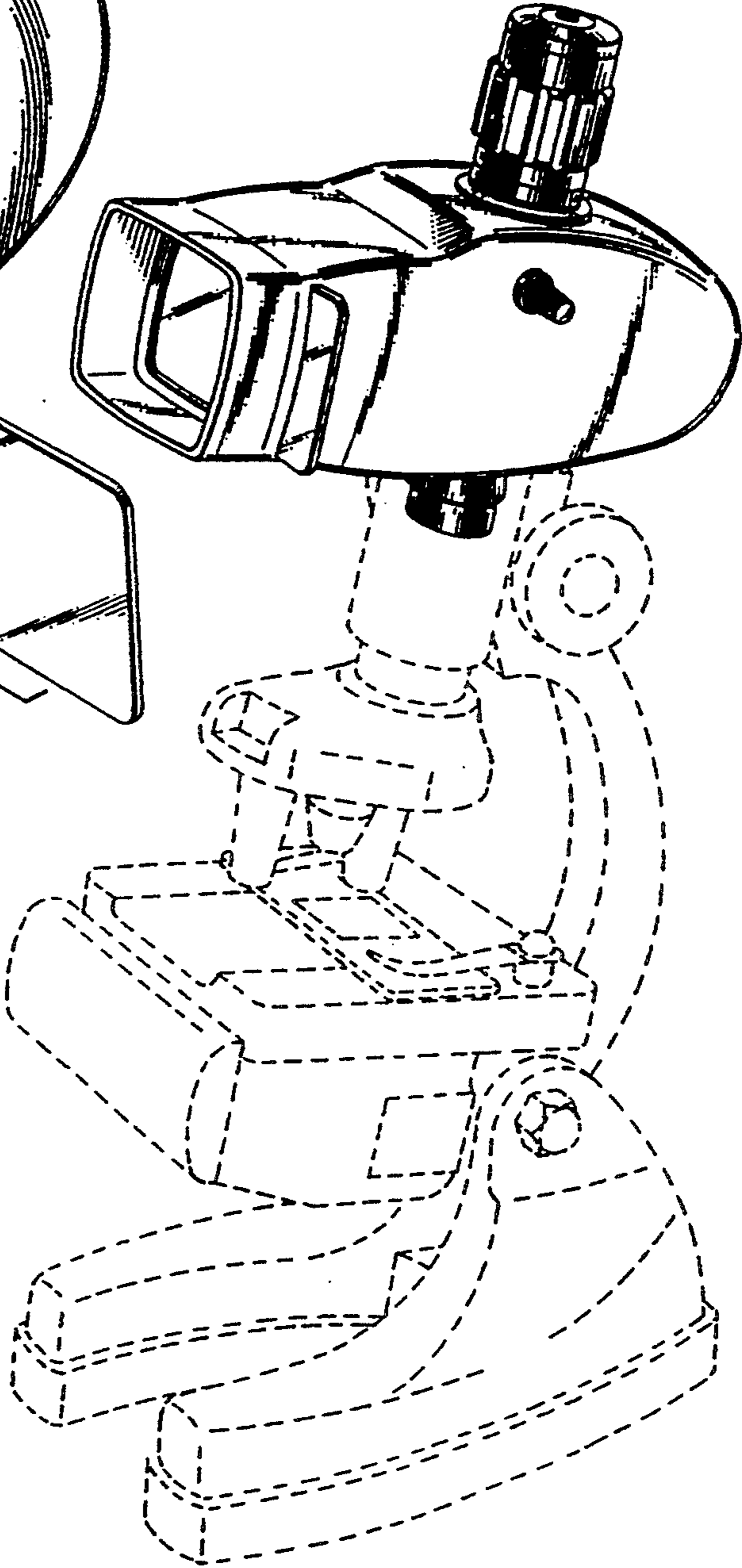


FIG. 10