



US00D359060S

United States Patent [19]

[11] Patent Number: **Des. 359,060**

Sherlock et al.

[45] Date of Patent: **** Jun. 6, 1995**

[54] HEADBAND MAGNIFIER

[75] Inventors: **Mary F. Sherlock**, Beaumont; **Marnie C. Averitt**, Kerrville, both of Tex.

[73] Assignee: **MFD Enterprises, Inc.**, Kerrville, Tex.

[**] Term: **14 Years**

[21] Appl. No.: **14,845**

[22] Filed: **Oct. 29, 1993**

[52] U.S. Cl. **D16/135; D16/133**

[58] Field of Search **D16/133, 135, 305, 336, D16/309; 359/409, 411, 408, 480, 410, 417, 413, 472, 471, 473, 802, 815, 817, 688; 224/181; D2/894, 872, 866; 2/8, 6.2, 6.3, 452, 453**

[56] References Cited

U.S. PATENT DOCUMENTS

| | | | |
|------------|---------|-------------------|-----------|
| D. 194,284 | 12/1962 | Baratelli | D16/305 |
| D. 296,337 | 6/1988 | Caplan | D16/133 |
| D. 333,828 | 3/1993 | Baldassarre | D16/133 |
| 2,187,932 | 1/1940 | Cornell | 2/8 |
| 2,280,354 | 4/1942 | Rezos | 359/408 |
| 2,419,661 | 4/1947 | Staaf | 2/8 |
| 2,433,164 | 12/1947 | Shields | 2/8 |
| 2,459,021 | 1/1949 | Frommer | 359/815 X |
| 3,325,824 | 6/1967 | Donegan | 2/8 |
| 3,572,931 | 3/1971 | Adler | 359/815 X |

OTHER PUBLICATIONS

"The Catalog of Magnifiers", published by C and E Optical, Inc., of Chicago, ILL, front, back and inside covers, pp. 7 and 15, and price list from C and E Optical, Inc. dated Apr. 1993 (6 pages total).

"1993 Annual Reference Catalog for Optics, Science and Education", published by E. S. Edmund Scientific of Barrington, N.J.; ©1992 Edmund Scientific Co. vol. 13n1; front, back and inside covers and pp. 3, 101 and 186 (6 pages total).

Primary Examiner—Doris V. Coles

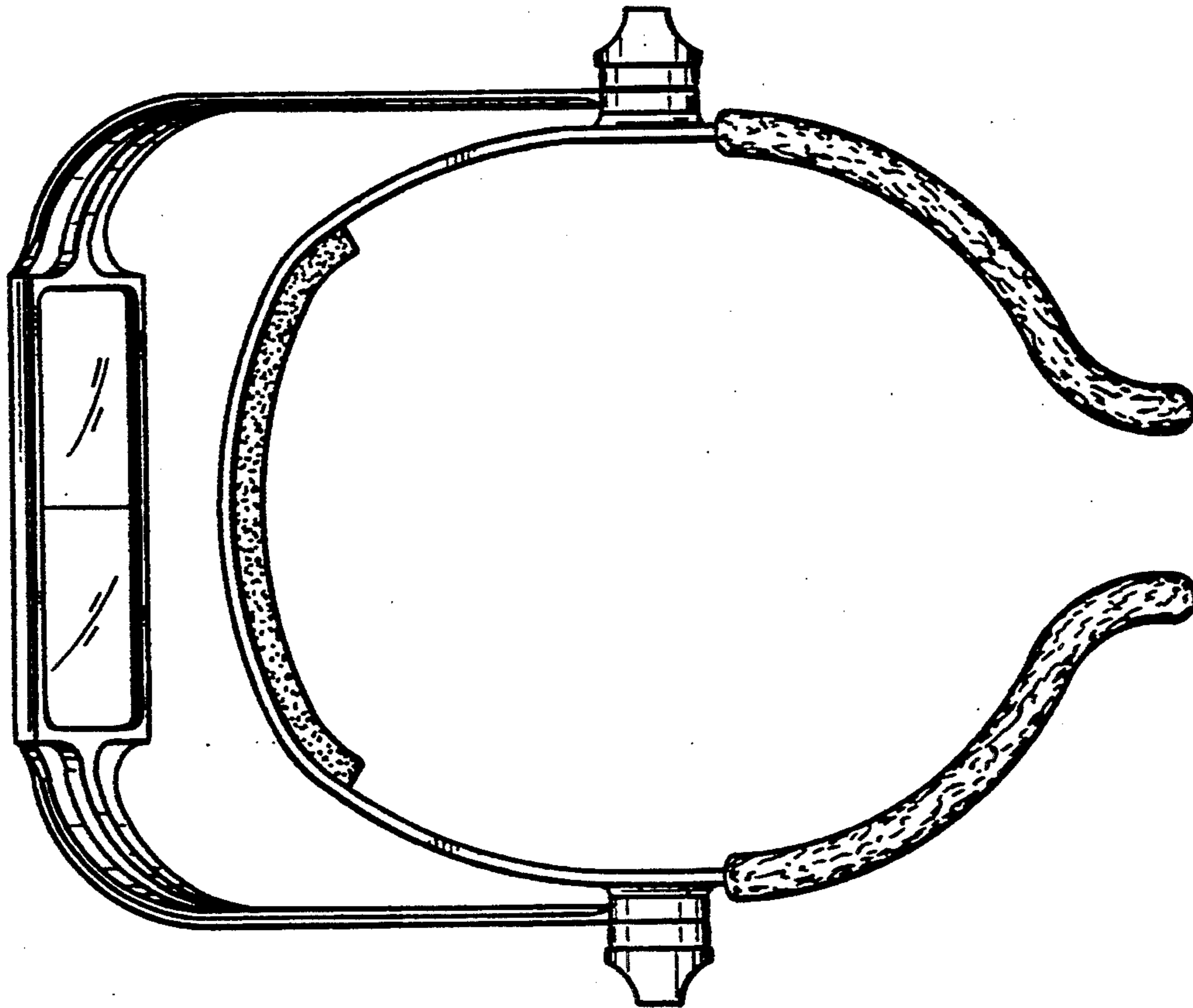
Attorney, Agent, or Firm—Pravel, Hewitt, Kimball & Krieger

[57] CLAIM

The ornamental design for headband magnifier, as shown and described.

DESCRIPTION

FIG. 1 is a plan view of the headband magnifier; FIG. 2 is a side view of the headband magnifier, the opposite side of the headband magnifier being a mirror image of FIG. 2; FIG. 3 is a front view of the headband magnifier; FIG. 4 is a bottom view of the headband magnifier; FIG. 5 is a rear view of the headband magnifier; and, FIG. 6 is a view similar to FIG. 2 with the magnifying arm being moved to an up position.



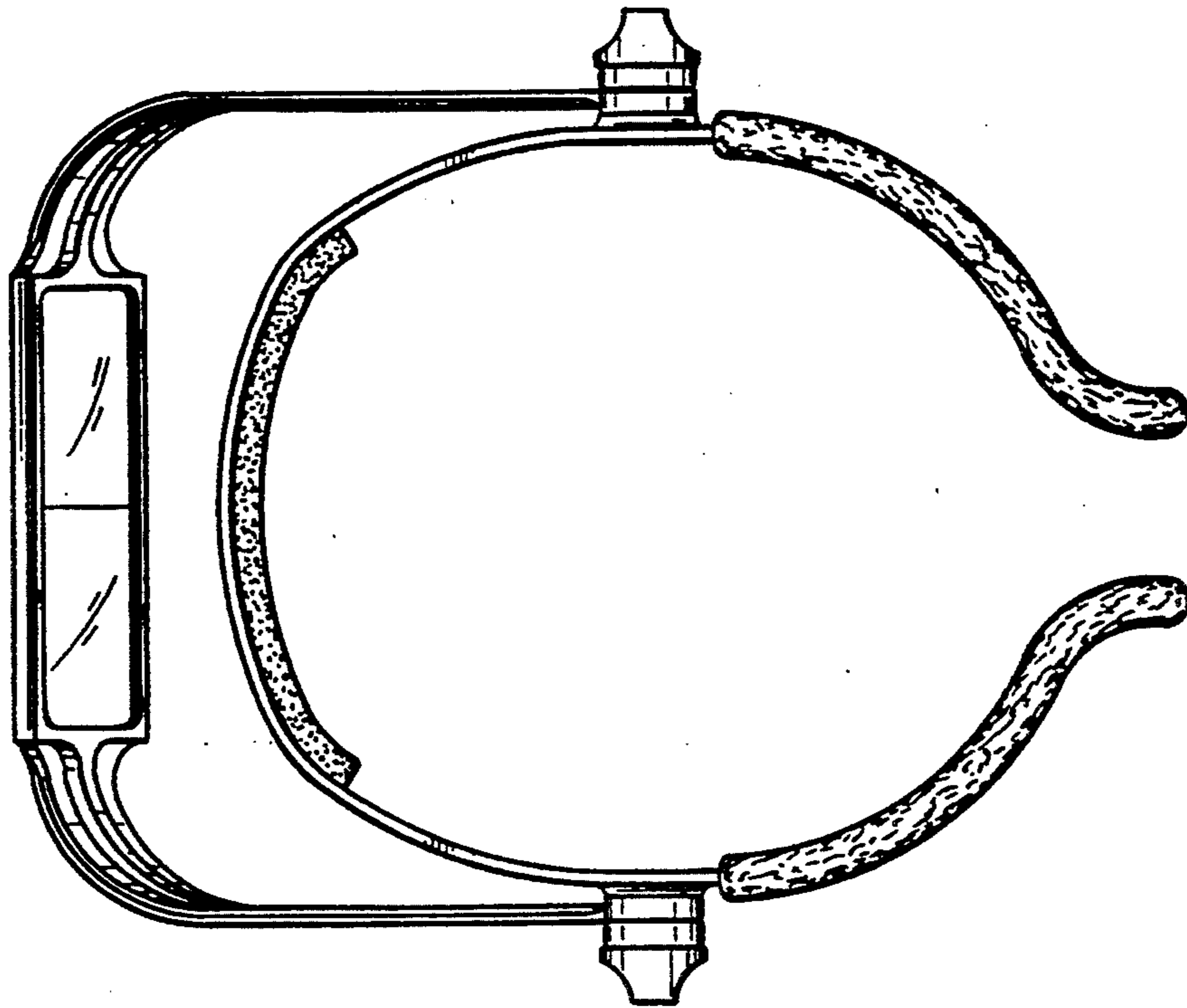


FIG. 1

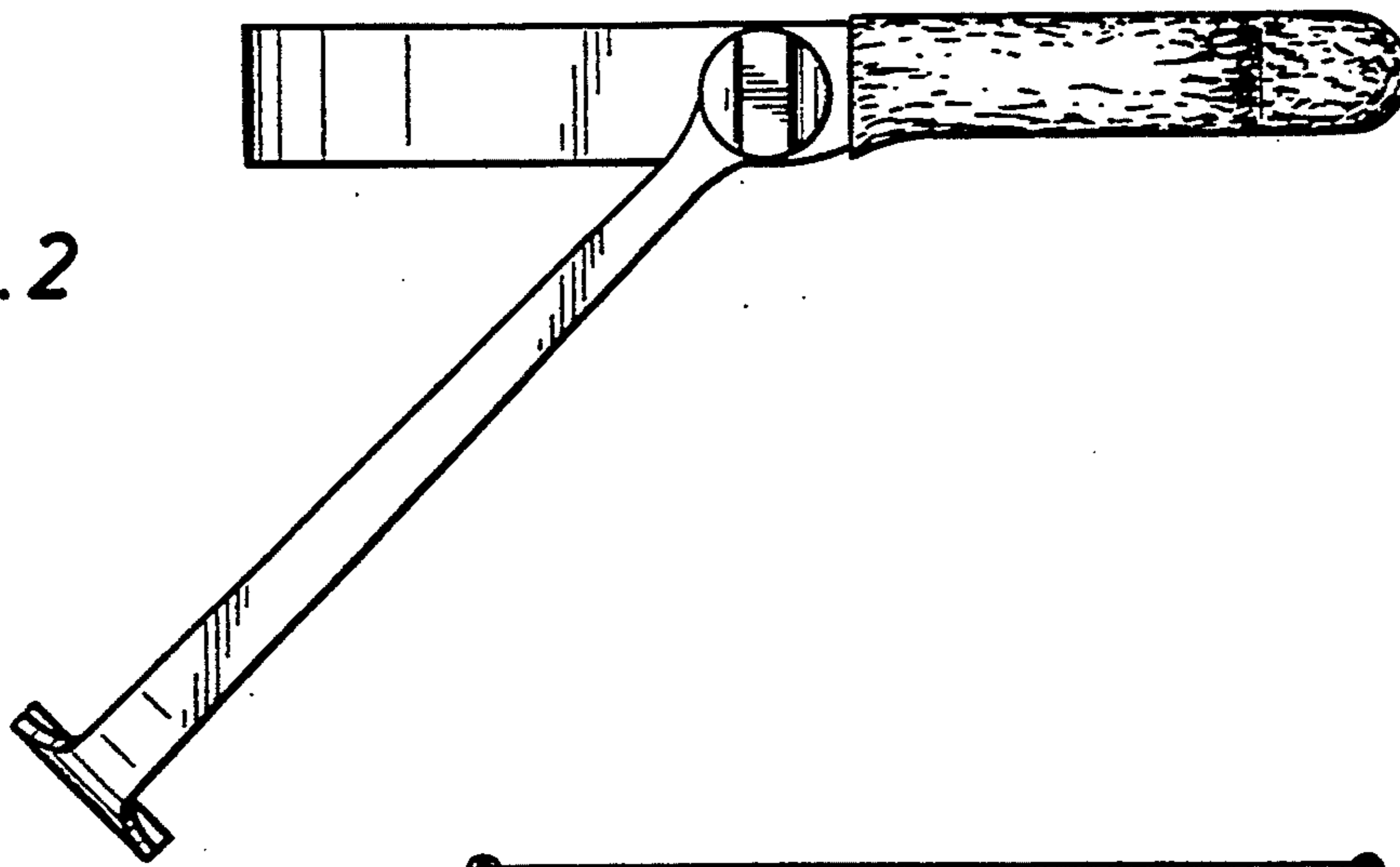


FIG. 2

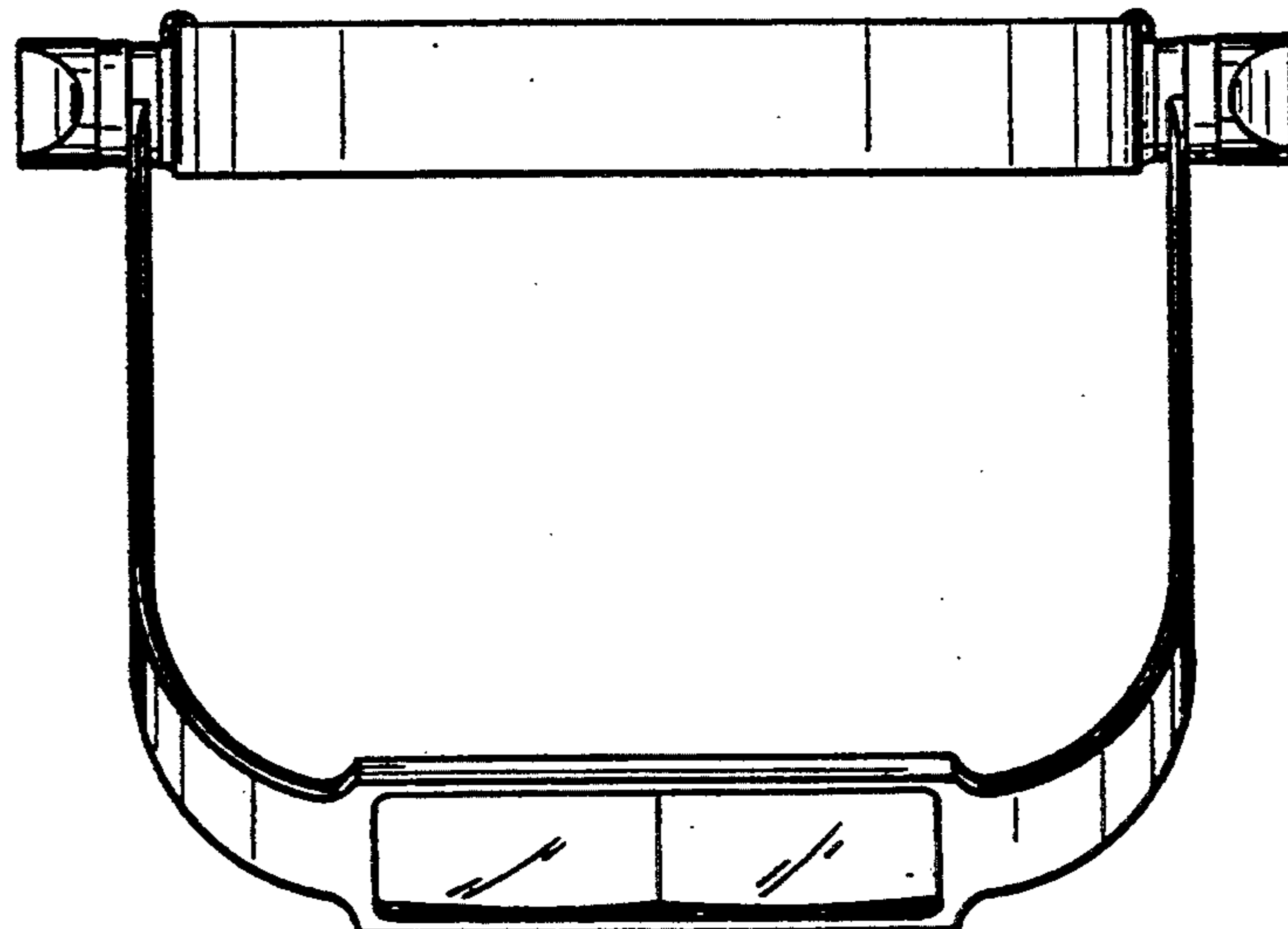


FIG. 3

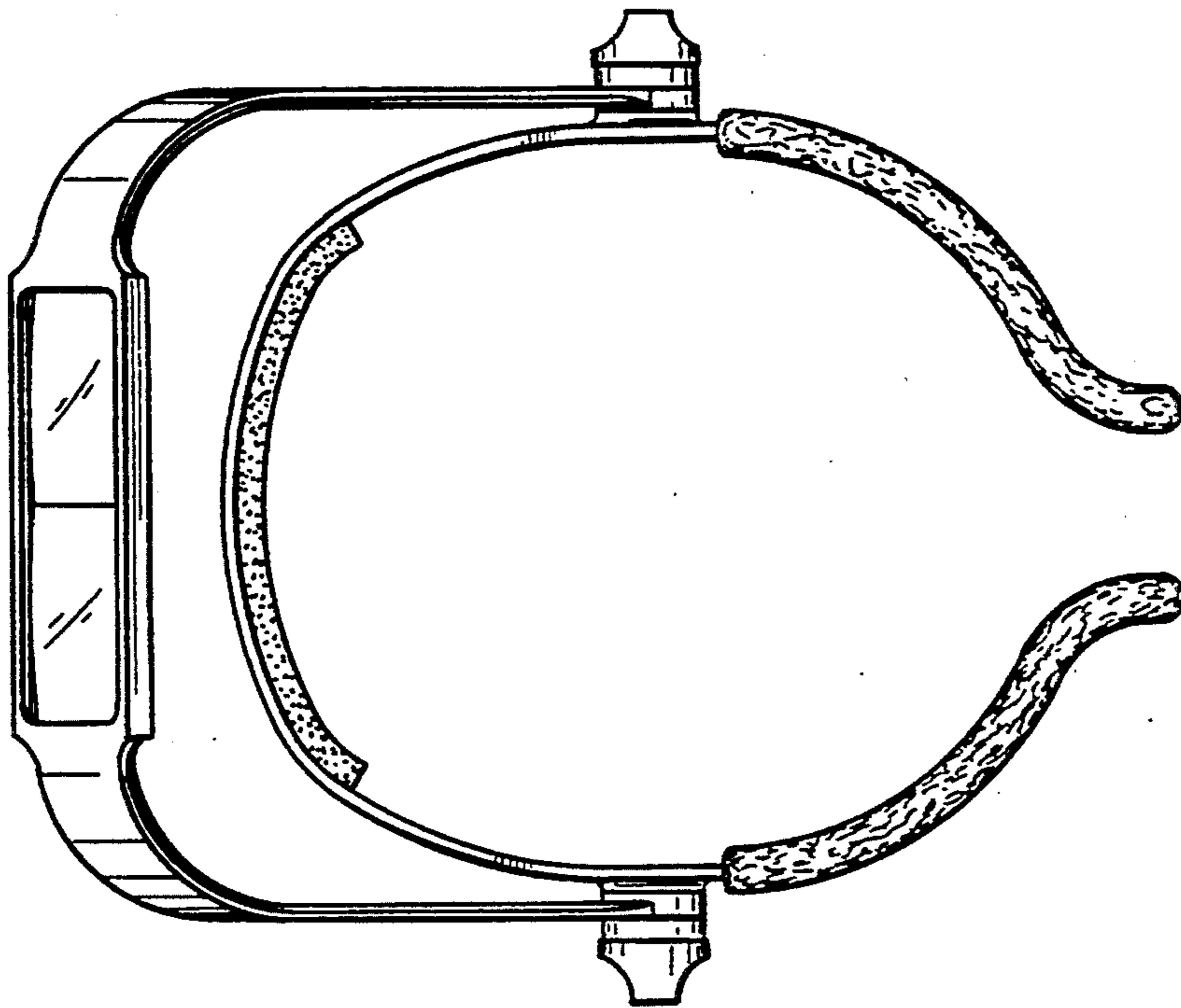


FIG. 4

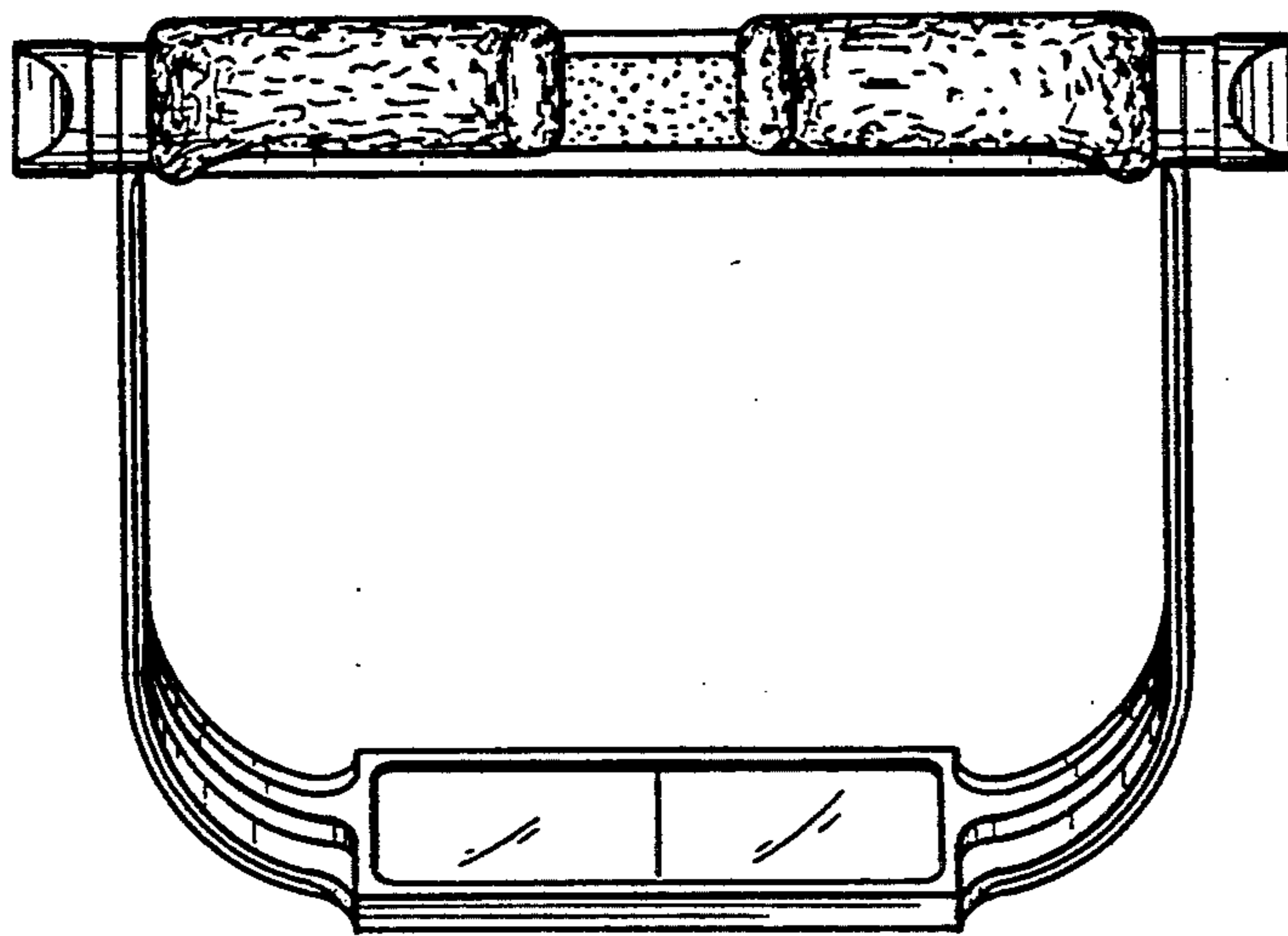


FIG. 5

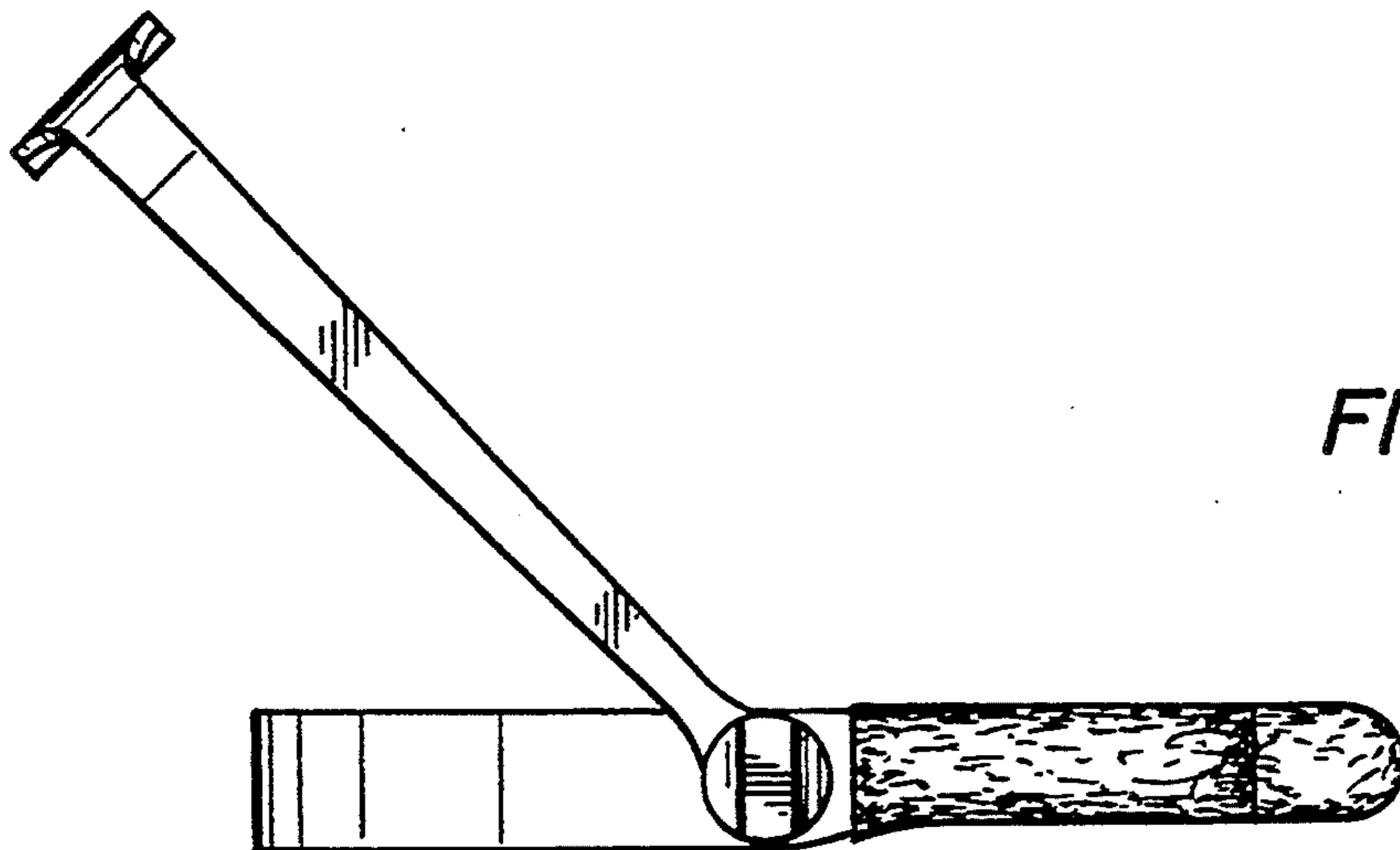


FIG. 6