



US00D359059S

United States Patent [19]

[11] Patent Number: **Des. 359,059**

Omi

[45] Date of Patent: **** Jun. 6, 1995**

[54] **PROJECTION MICROSCOPE**

4,621,913 11/1986 Yamada et al. 359/369 X
5,307,098 4/1994 Okita 353/76 X

[75] Inventor: **Shoichi Omi, Tokyo, Japan**

Primary Examiner—A. Hugo Word
Assistant Examiner—Catherine R. Oliver
Attorney, Agent, or Firm—Popham, Haik, Schnobrich & Kaufman, Ltd.

[73] Assignee: **Lunax Company Limited, Ibaraki, Japan**

[**] Term: **14 Years**

[57] **CLAIM**

[21] Appl. No.: **15,671**

The ornamental design for a projection microscope, as shown and described.

[22] Filed: **Nov. 24, 1993**

DESCRIPTION

[30] **Foreign Application Priority Data**

May 24, 1993 [JP] Japan 5-15017

[52] U.S. Cl. **D16/131; D16/225**

[58] Field of Search D16/131, 130, 100, 221;
359/368, 369; 353/39, 71, 74, 75, 76, 77, 78, 98,
99, 38

FIG. 1 is a perspective view of a projection microscope showing my new design, taken from a front, right and upper position thereof;

FIG. 2 is a front view of the projection microscope;

FIG. 3 is a rear view of the projection microscope;

FIG. 4 is a plan view of the projection microscope;

FIG. 5 is a bottom view of the projection microscope;

FIG. 6 is a left side view of the projection microscope;

FIG. 7 is a right side view of the projection microscope;

FIG. 8 is a perspective view of the projection microscope in which a screen is halfway drawn out; and,

FIG. 9 is a perspective view of the projection microscope in which a screen is completely withdrawn.

[56] **References Cited**

U.S. PATENT DOCUMENTS

D. 204,964 5/1966 Wally D16/225
3,205,770 9/1965 Koch et al. 353/39
3,572,884 3/1971 Chirayath 359/369
4,206,966 6/1980 Tyson 359/369

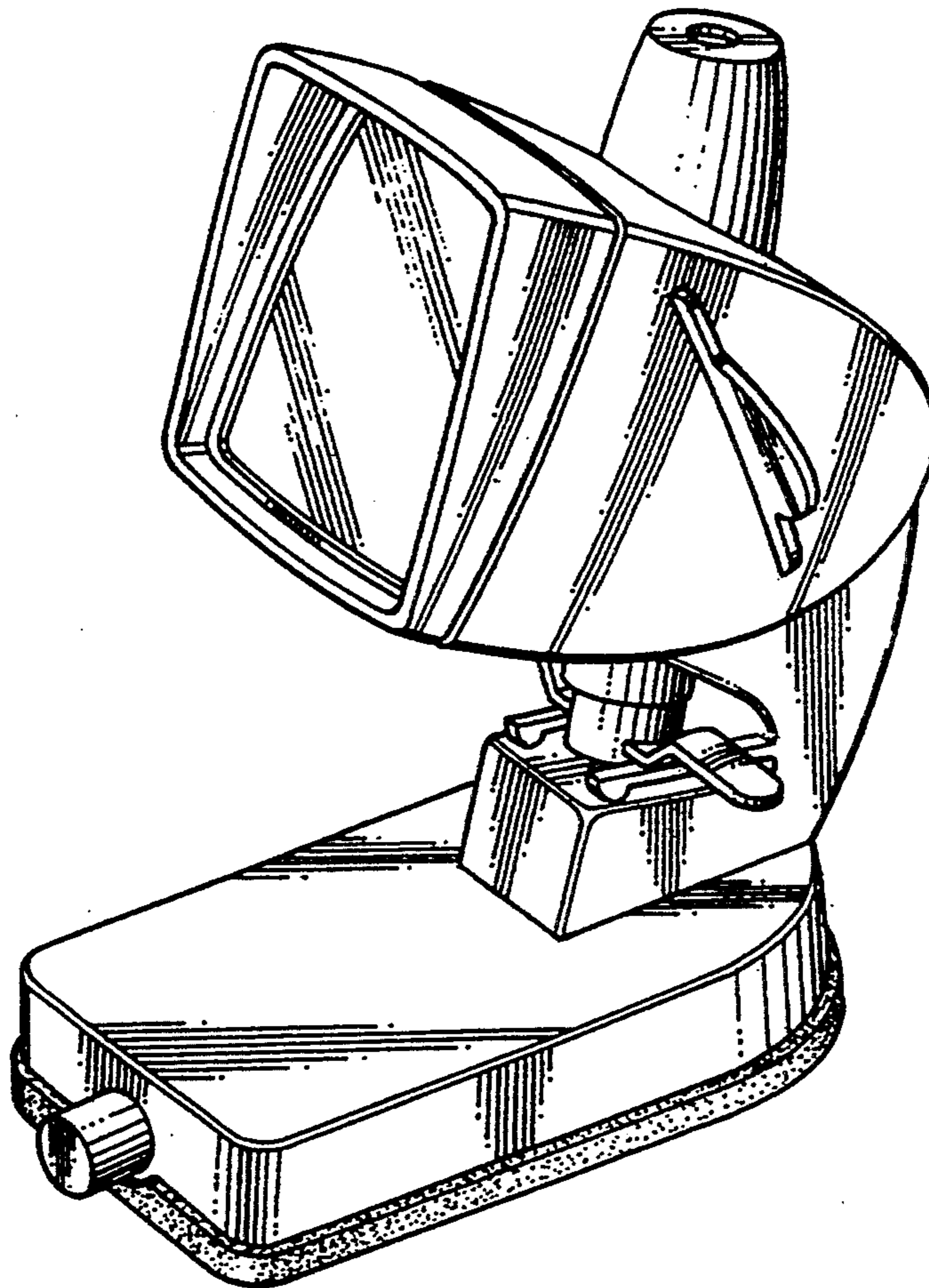


FIG. 1

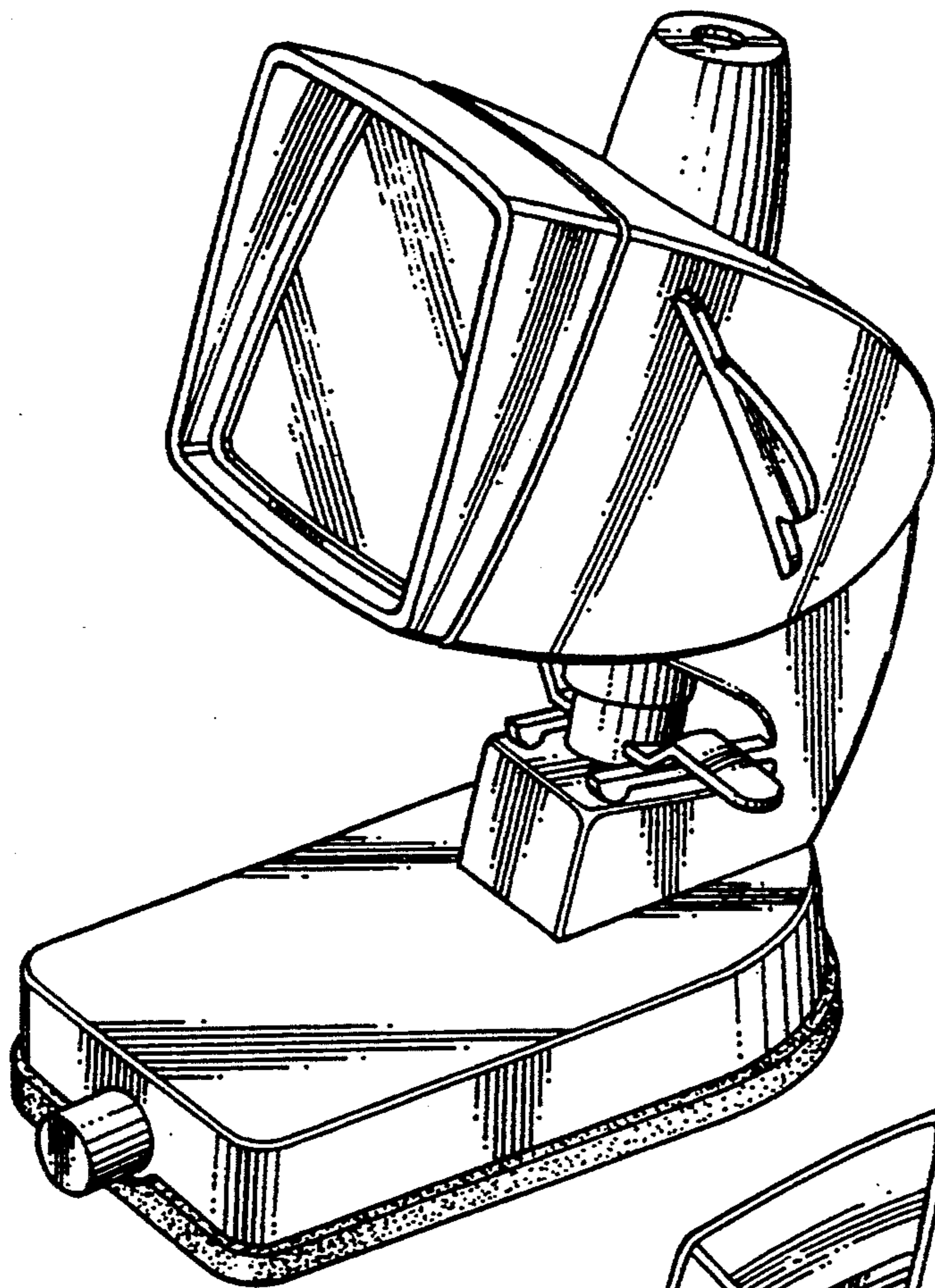


FIG. 8

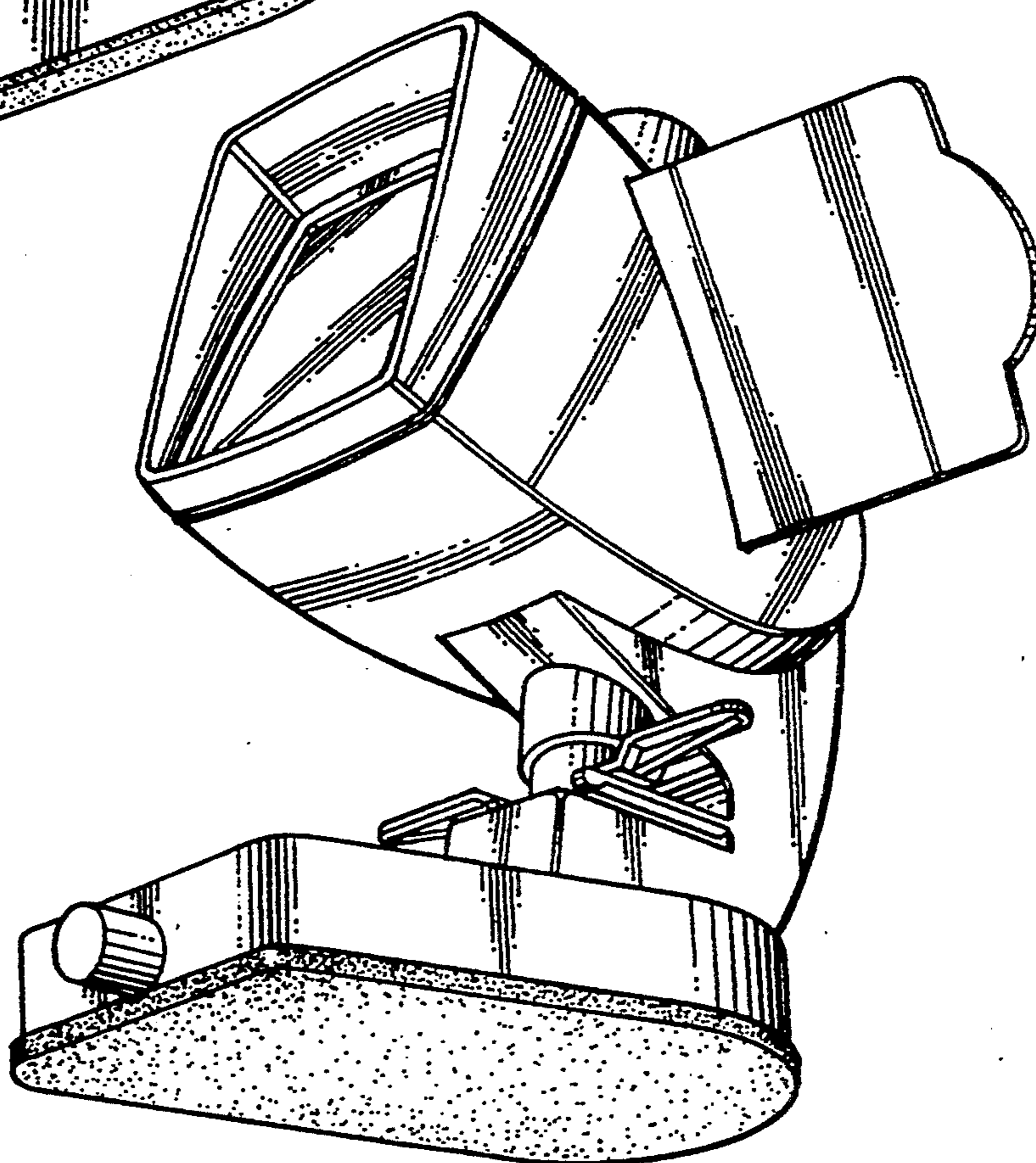


FIG. 2

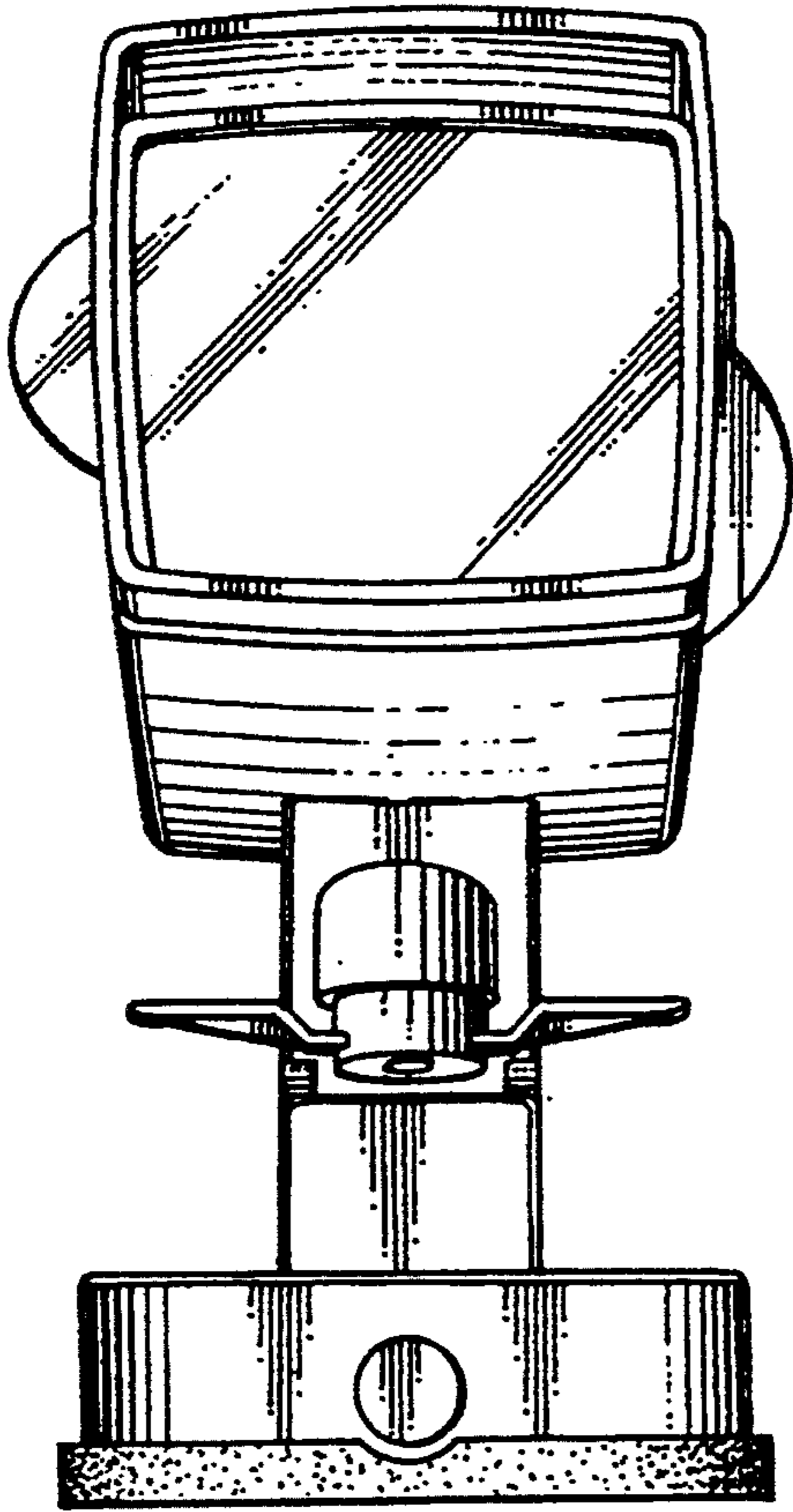


FIG. 3

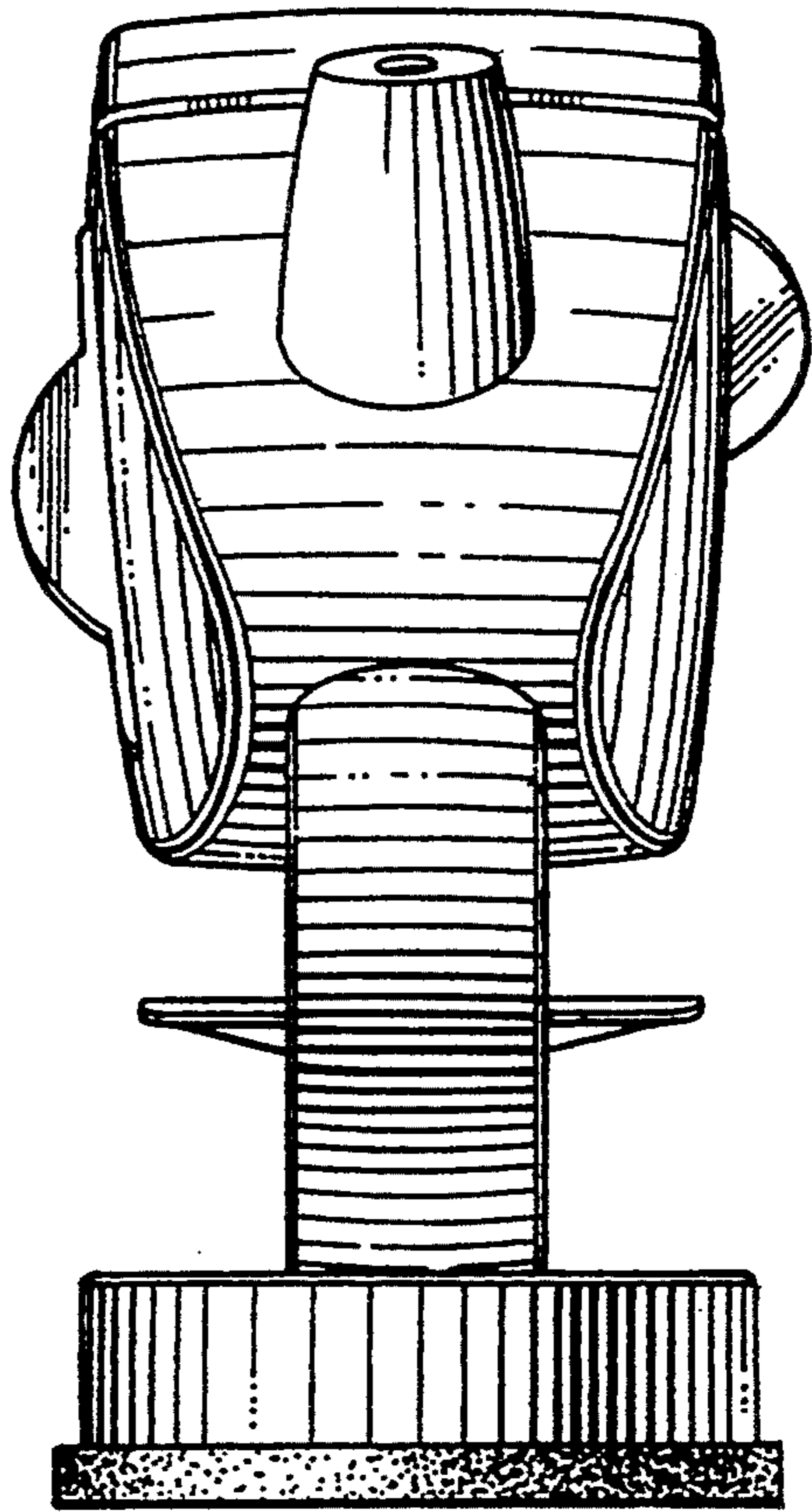


FIG. 4

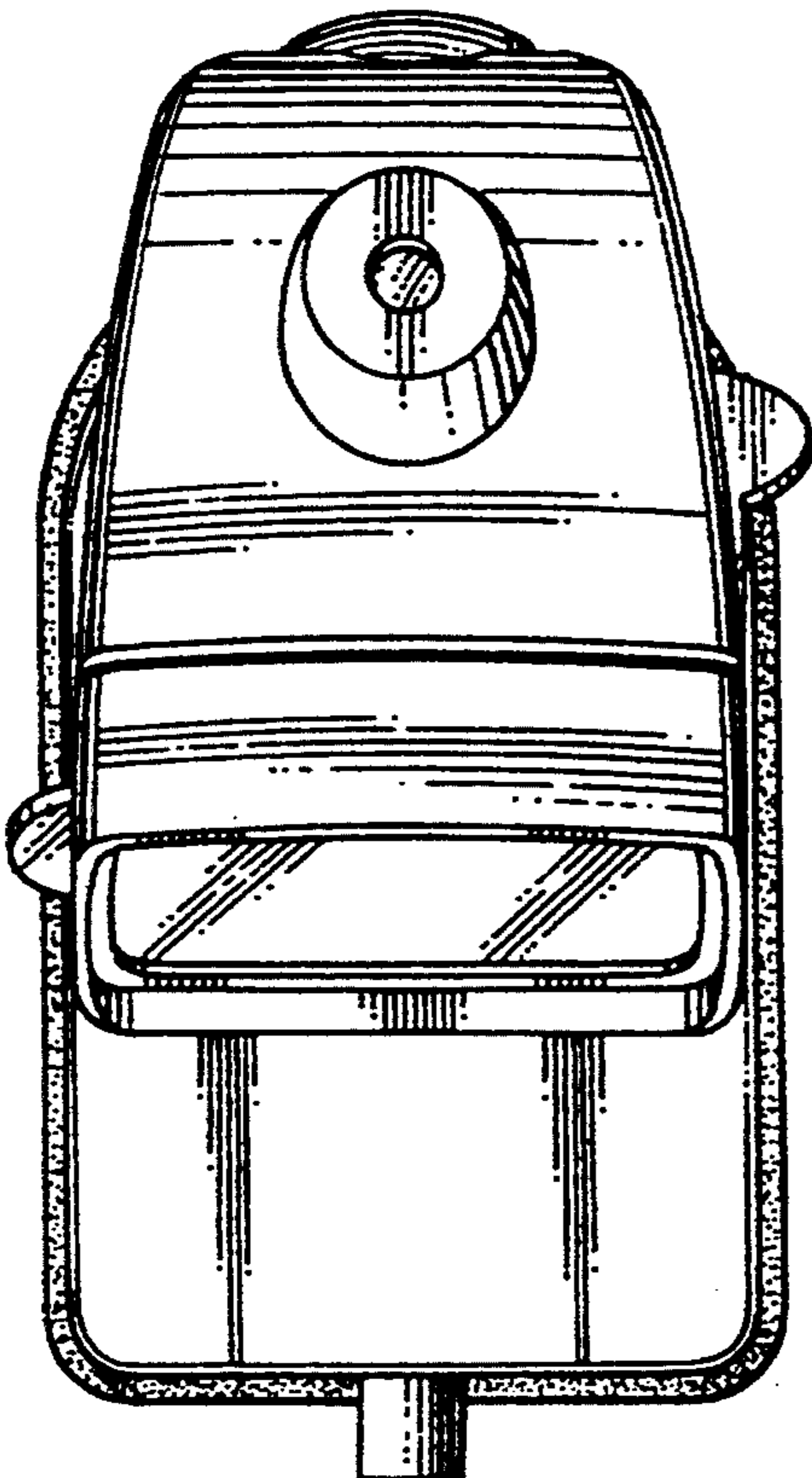


FIG. 5

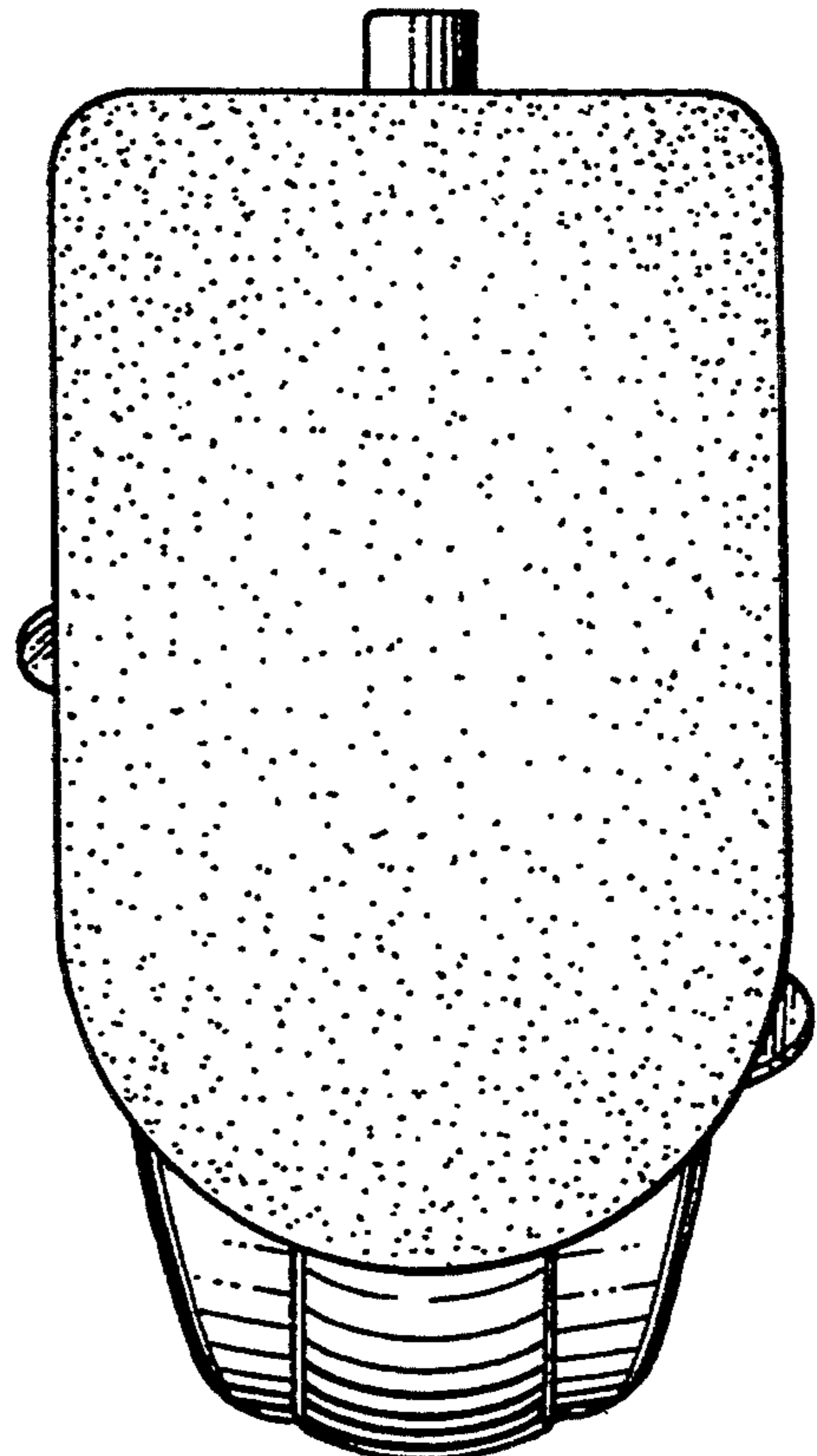


FIG. 7

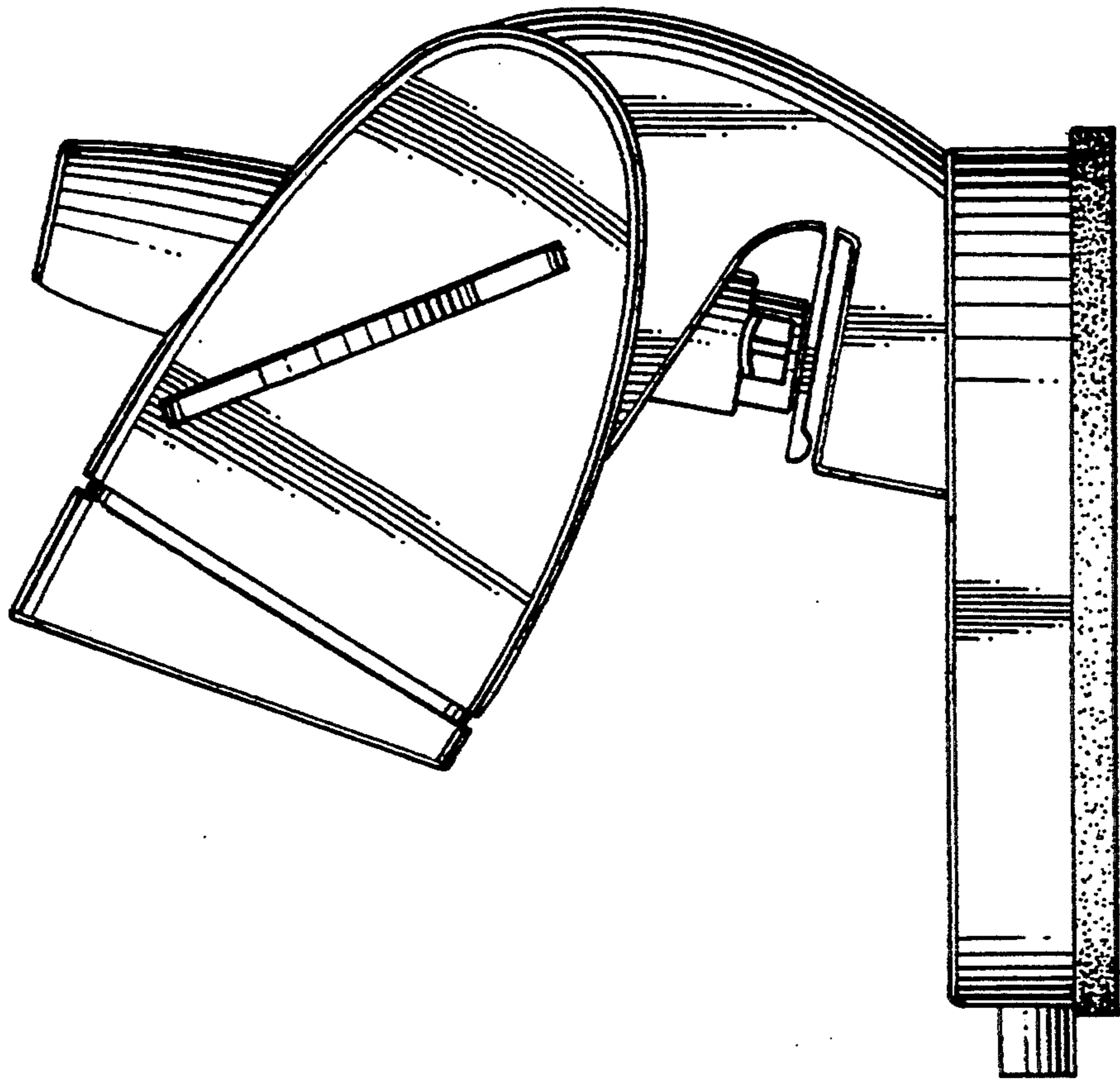


FIG. 6

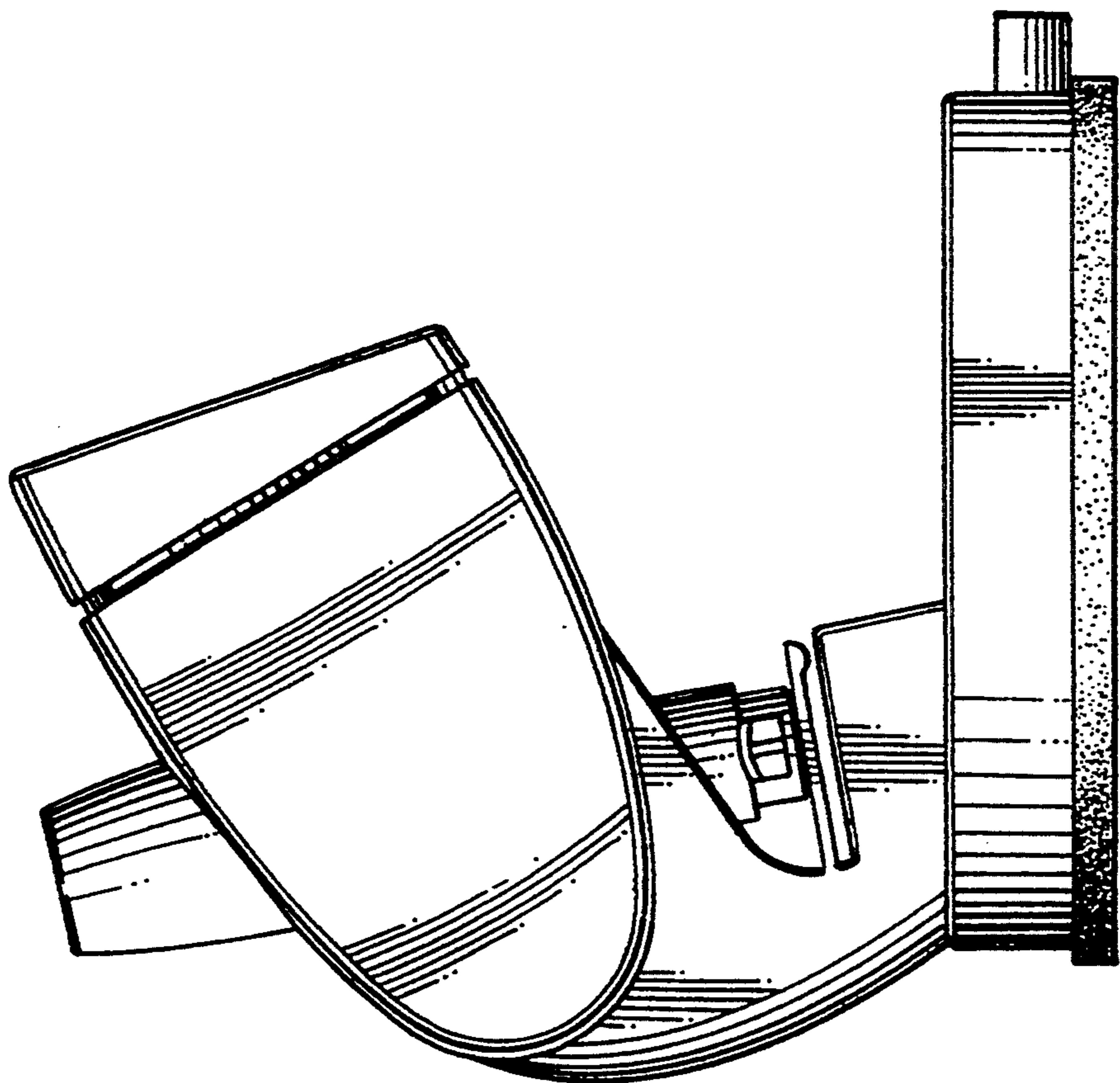


FIG. 9

