



US00D359057S

# United States Patent [19]

[11] Patent Number: **Des. 359,057**

Niebauer

[45] Date of Patent: **\*\* Jun. 6, 1995**

[54] **CUTTING TOOL INSERT**

[75] Inventor: **Kenneth L. Niebauer, Raleigh, N.C.**

[73] Assignee: **Kennametal Inc., Latrobe, Pa.**

[\*\*] Term: **14 Years**

[21] Appl. No.: **23,192**

[22] Filed: **May 18, 1994**

[52] U.S. Cl. .... **D15/139**

[58] Field of Search ..... **D15/139; 407/113, 114, 407/115, 116, 117, 118, 119**

[56] **References Cited**

**U.S. PATENT DOCUMENTS**

- D. 307,149 4/1990 Niebauer ..... D15/139
- D. 352,511 11/1994 Niebauer et al. .... D15/139
- 5,141,367 8/1992 Beeghly et al. .... 407/114 X
- 5,147,159 9/1992 Lowe et al. .... D15/139 X

*Primary Examiner*—Antoine Duval Davis

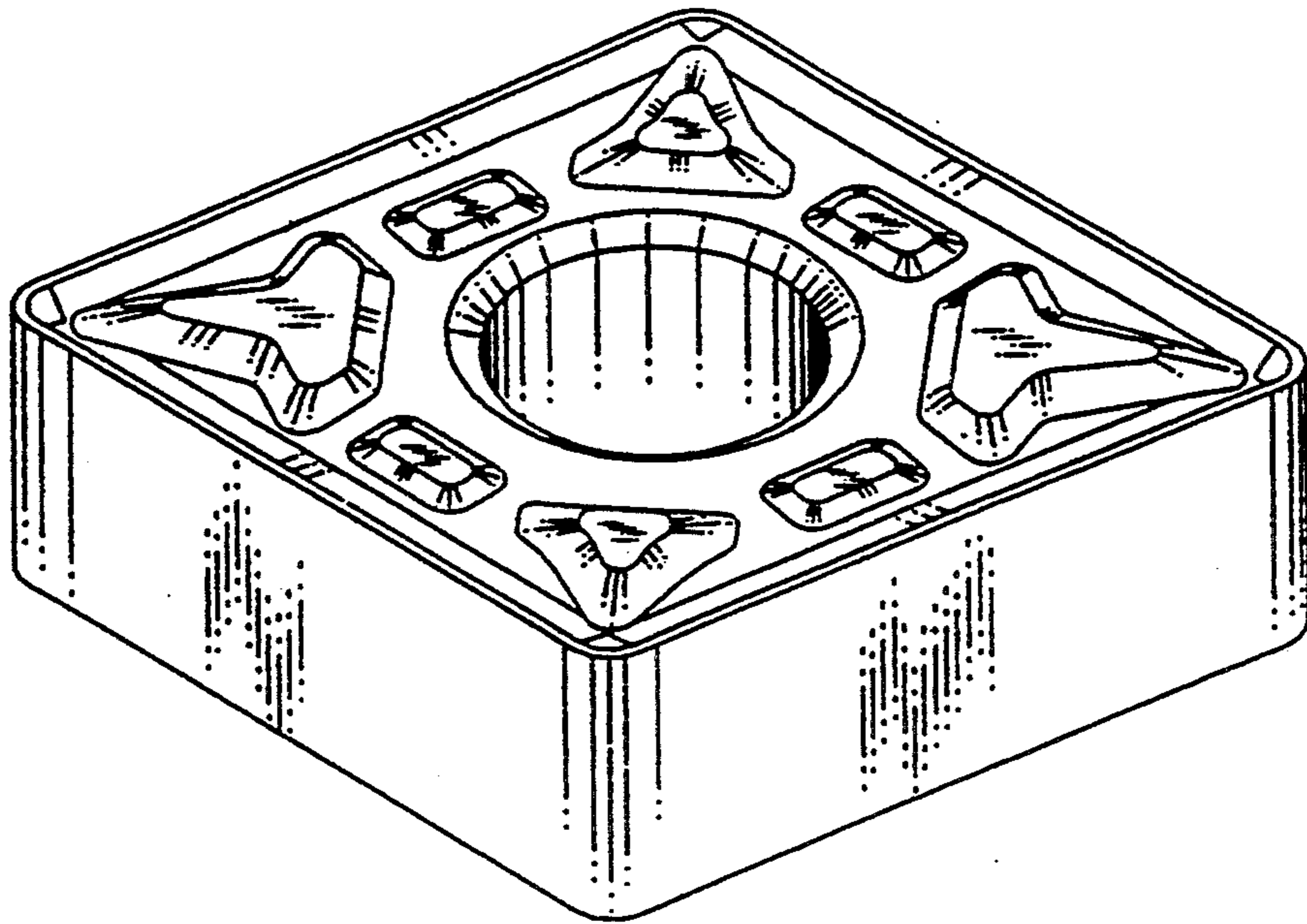
*Attorney, Agent, or Firm*—James G. Porcelli

[57] **CLAIM**

The ornamental design for a cutting tool insert, as shown and described.

**DESCRIPTION**

FIG. 1 is a top perspective view of a cutting tool insert showing my new design;  
 FIG. 2 is a top plan view, the bottom plan view being identical;  
 FIG. 3 is a right side elevation view, the left side elevation view being identical;  
 FIG. 4 is a cross-sectional view taken along line 4—4 in FIG. 2;  
 FIG. 5 is an enlarged view of the encircled dot-dash portion shown in FIG. 4;  
 FIG. 6 is a cross-sectional view taken along the line 6—6 in FIG. 2; and,  
 FIG. 7 is an enlarged view of the encircled dot-dash portion shown in FIG. 6.



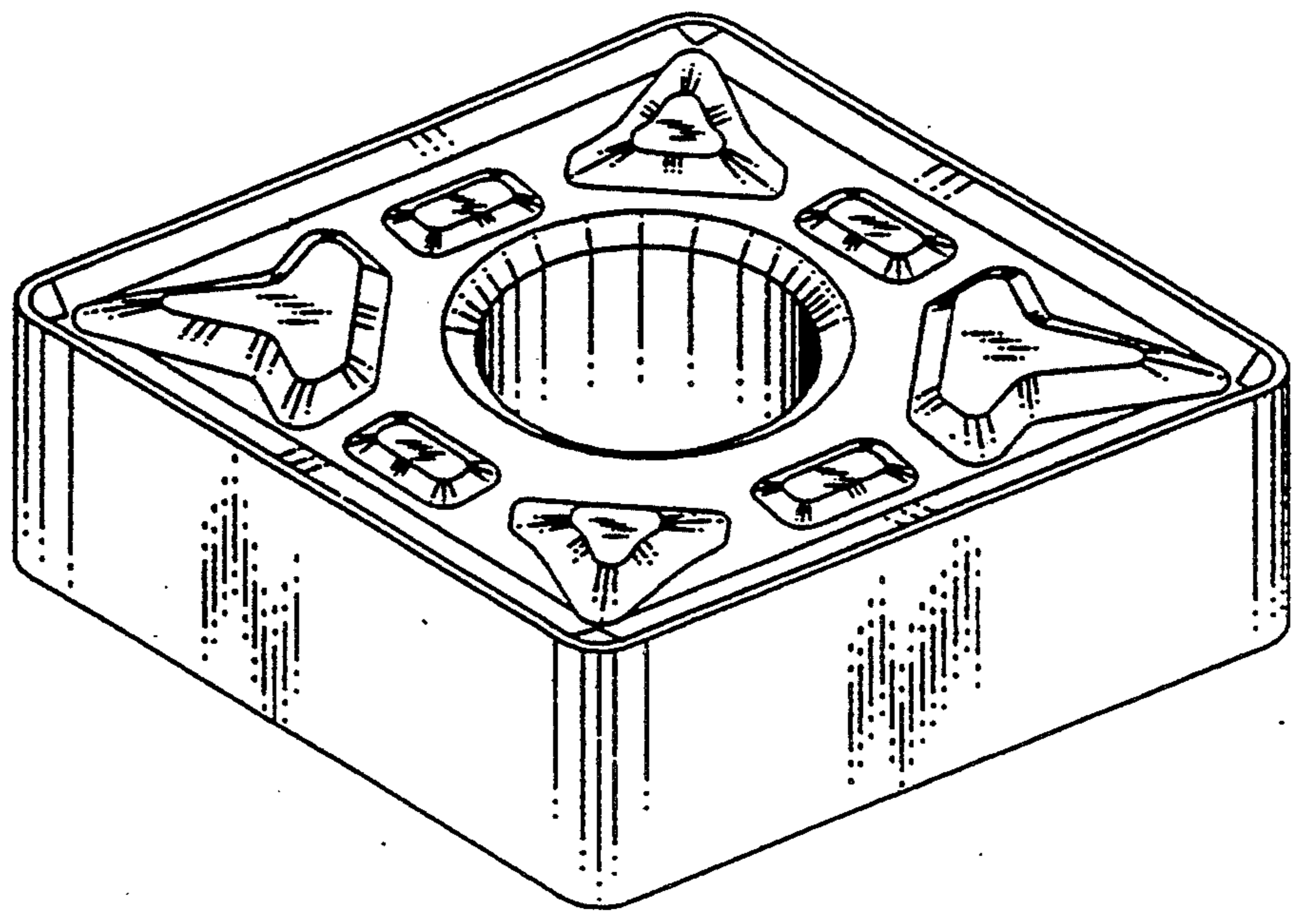


FIG. 1

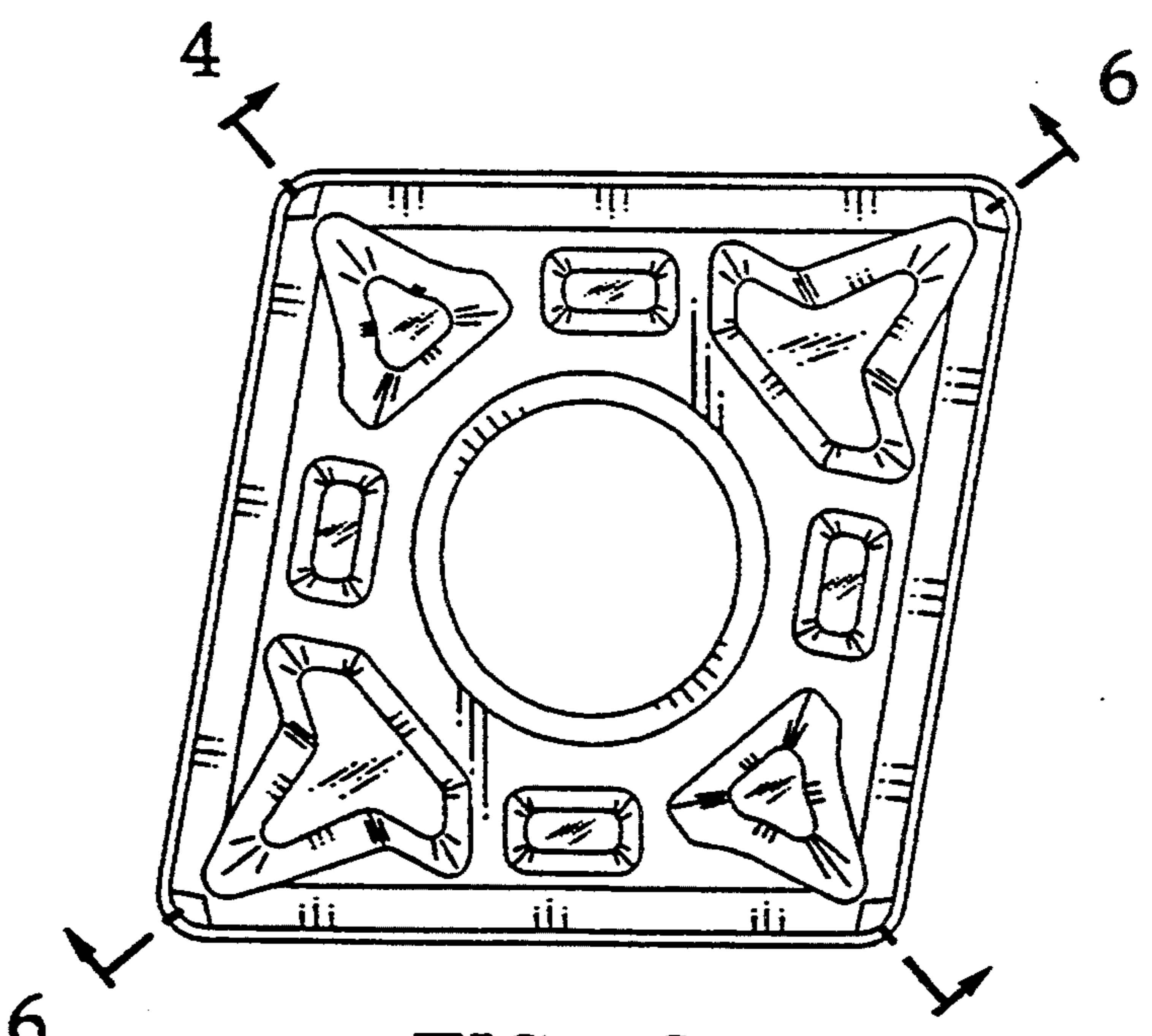


FIG. 2

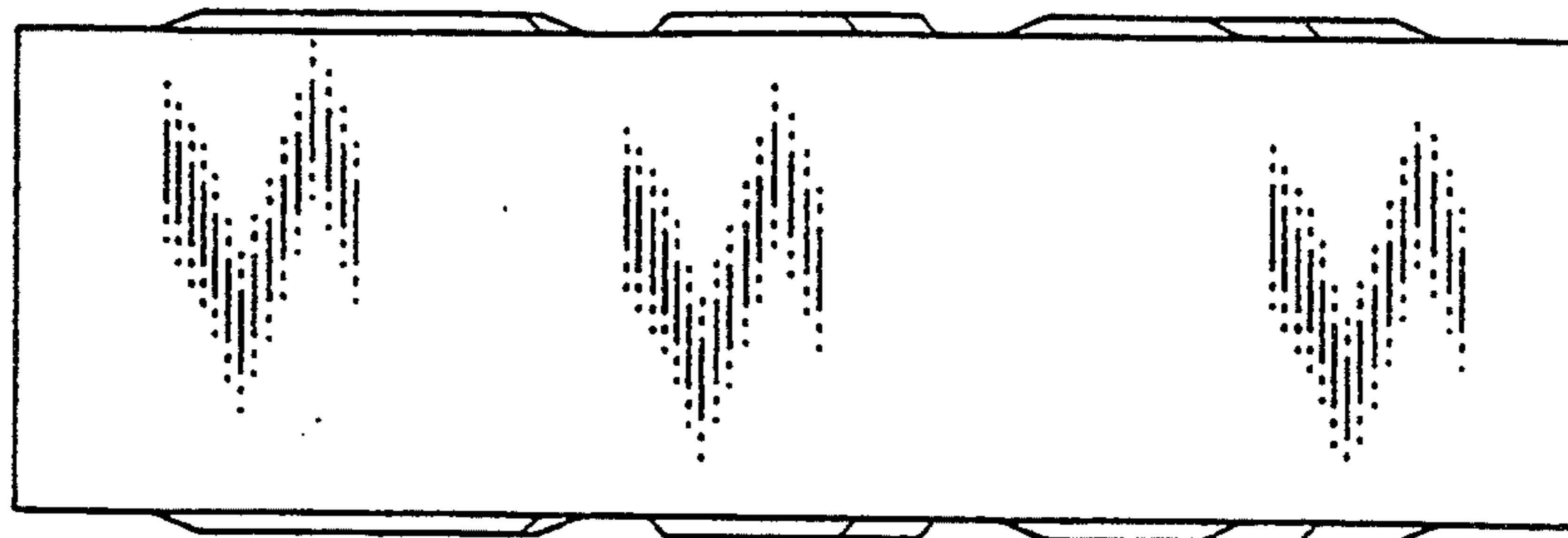


FIG. 3

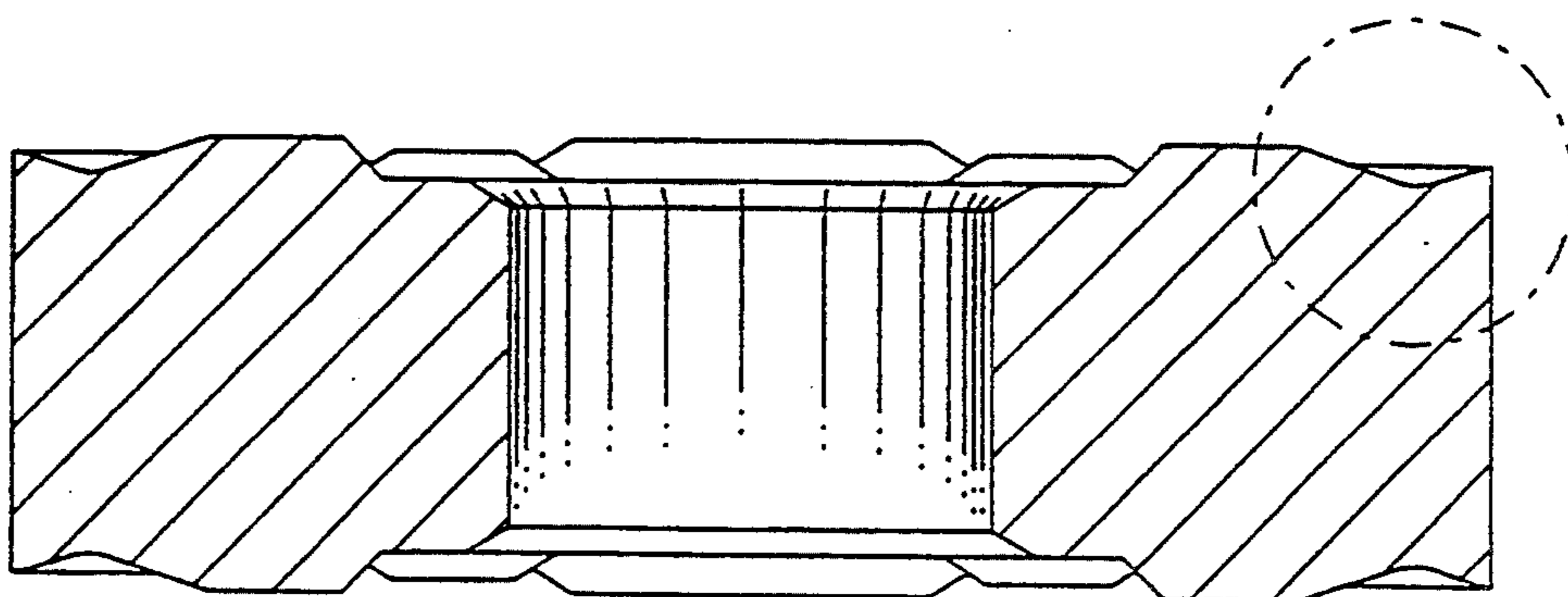


FIG. 4

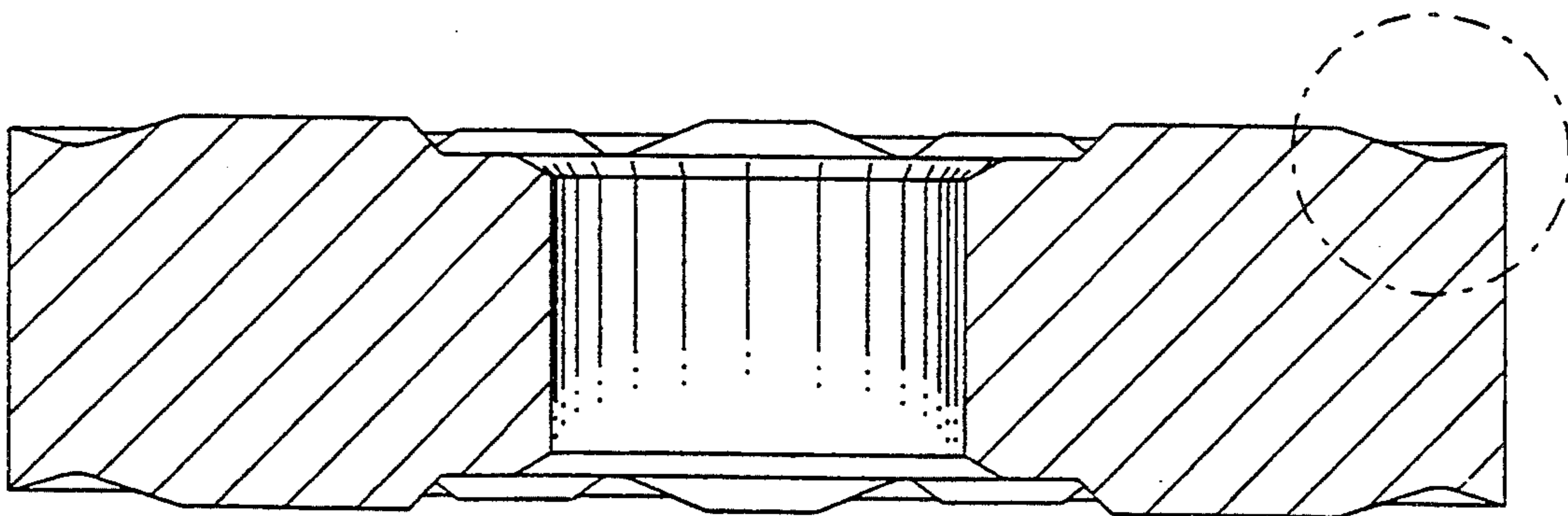


FIG. 6

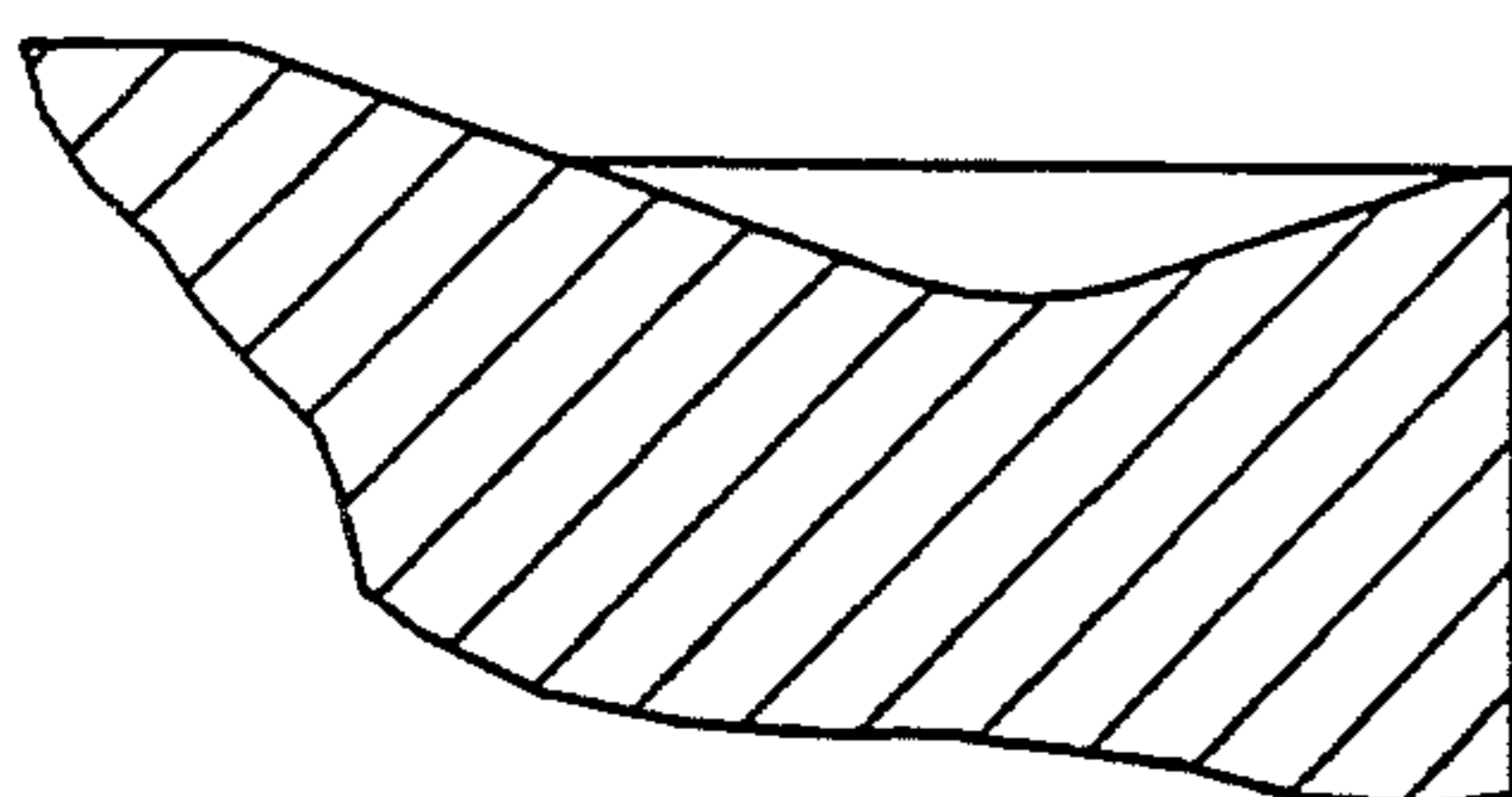


FIG. 5

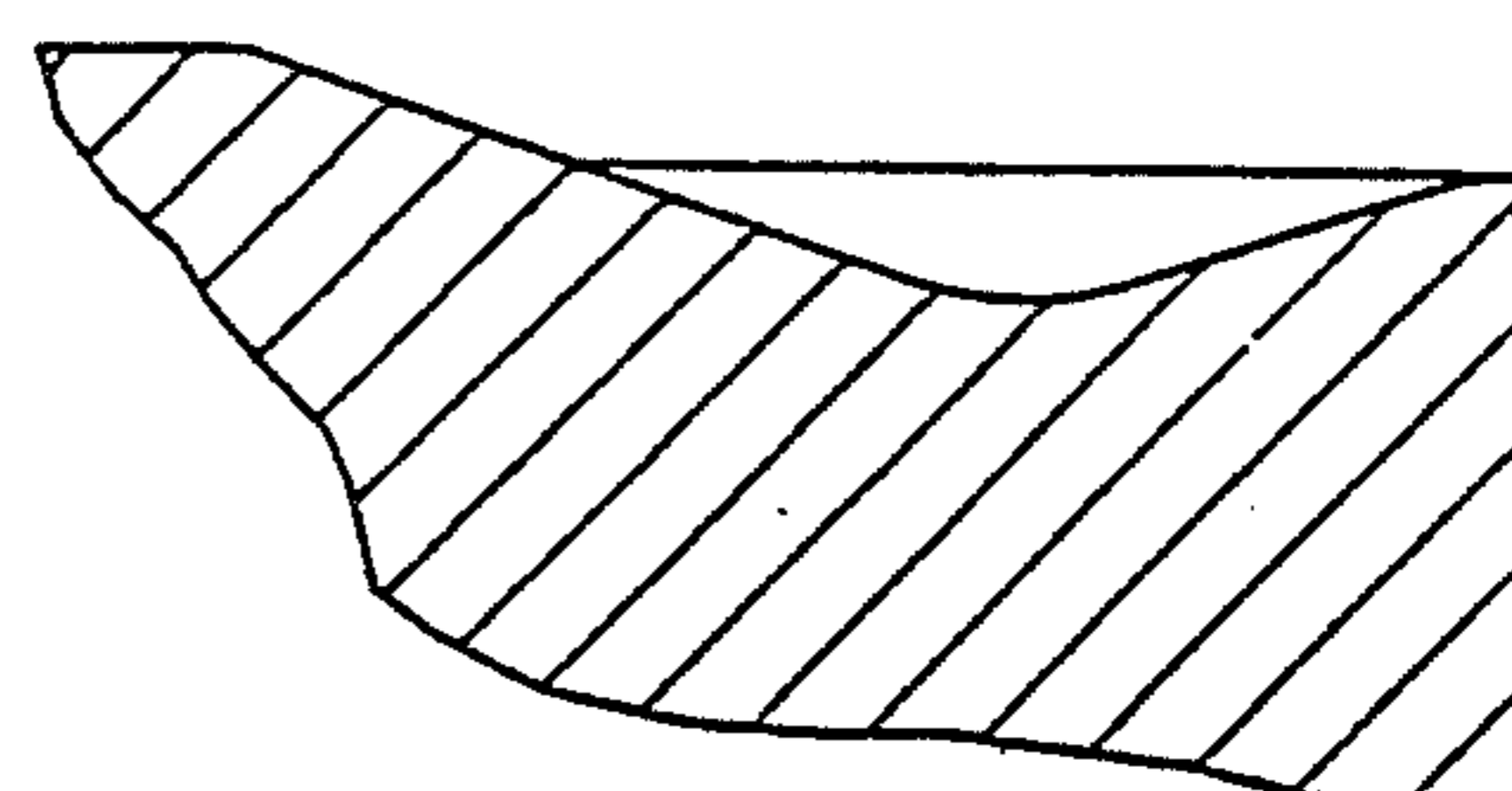


FIG. 7