



US00D359056S

United States Patent [19]

[11] Patent Number: **Des. 359,056**

Karafuji et al.

[45] Date of Patent: **** Jun. 6, 1995**

[54] **DRILLING MACHINE**

D. 315,278	3/1991	Baxter et al. .	
3,273,423	9/1966	Rottler	408/88 X
3,837,757	9/1974	Levine	408/88 X
4,655,649	4/1987	Hzhou et al.	D15/132 X

[75] Inventors: **Nobuhiko Karafuji; Katsutoshi Kouchiyama; Shinji Iwamoto**, all of Tokyo, Japan

Primary Examiner—Antoine Duval Davis
Attorney, Agent, or Firm—Sughrue, Mion, Zinn, Macpeak & Seas

[73] Assignee: **Ryobi, Ltd.**, Hiroshima, Japan

[**] Term: **14 Years**

[57] **CLAIM**

[21] Appl. No.: **23,889**

The ornamental design for a drilling machine, as shown.

[22] Filed: **Jun. 2, 1994**

DESCRIPTION

[30] **Foreign Application Priority Data**

Dec. 8, 1993	[JP]	Japan	5-37240
[52]	U.S. Cl.		D15/132
[58]	Field of Search	D8/68, 69; D15/132;	
		408/23, 88, 126, 129, 235, 237	

FIG. 1 is a perspective view of the front, top and left side of a drilling machine showing our new design; FIG. 2 is a front elevational view thereof; FIG. 3 is a rear elevational view thereof; FIG. 4 is a side elevational view of the left side thereof; FIG. 5 is a side elevational view of the right side thereof; FIG. 6 is a top plan view thereof; and, FIG. 7 is a bottom plan view thereof.

[56] **References Cited**

U.S. PATENT DOCUMENTS

D. 257,679 12/1980 Cleary et al. .

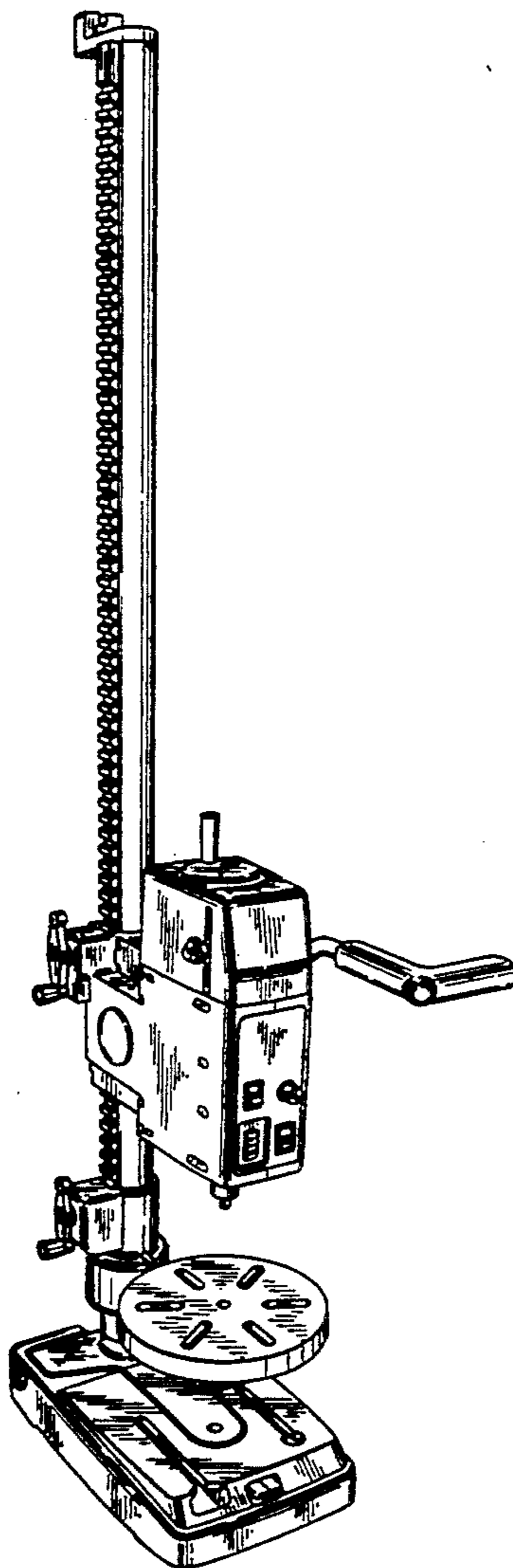


FIG. 1

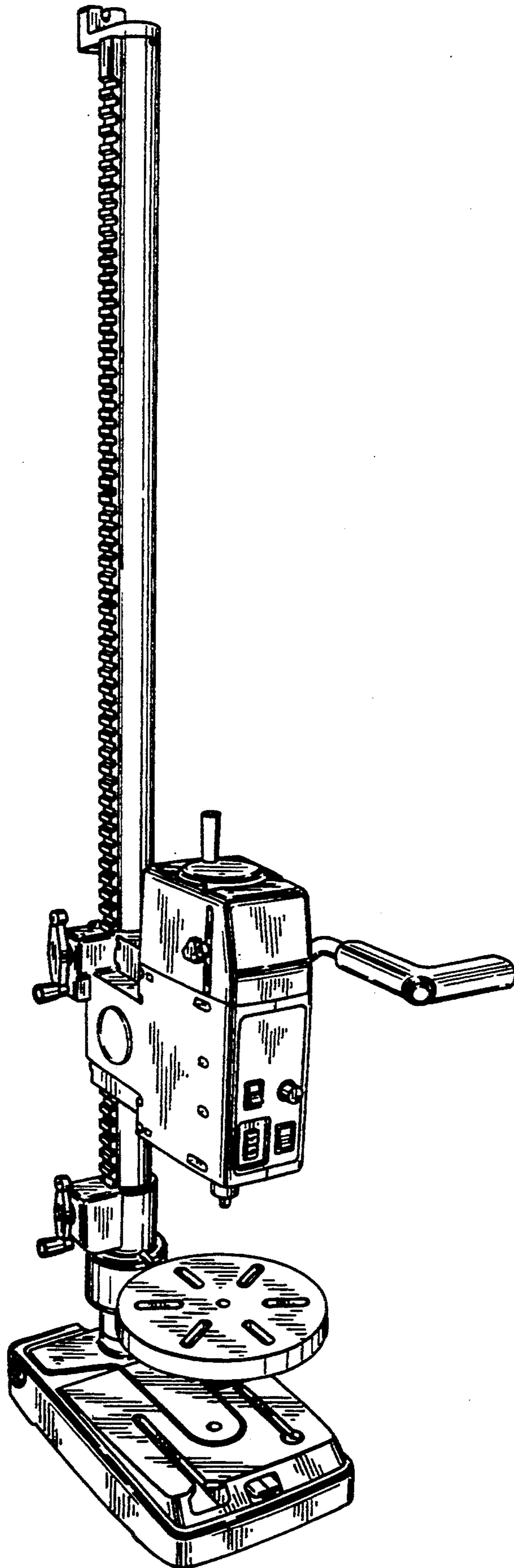


FIG. 2

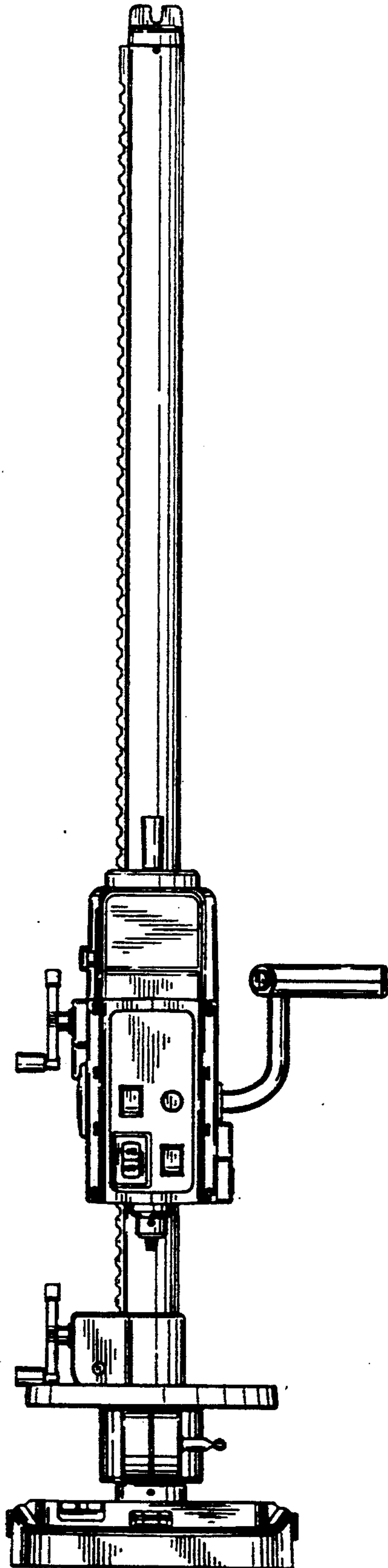


FIG. 3

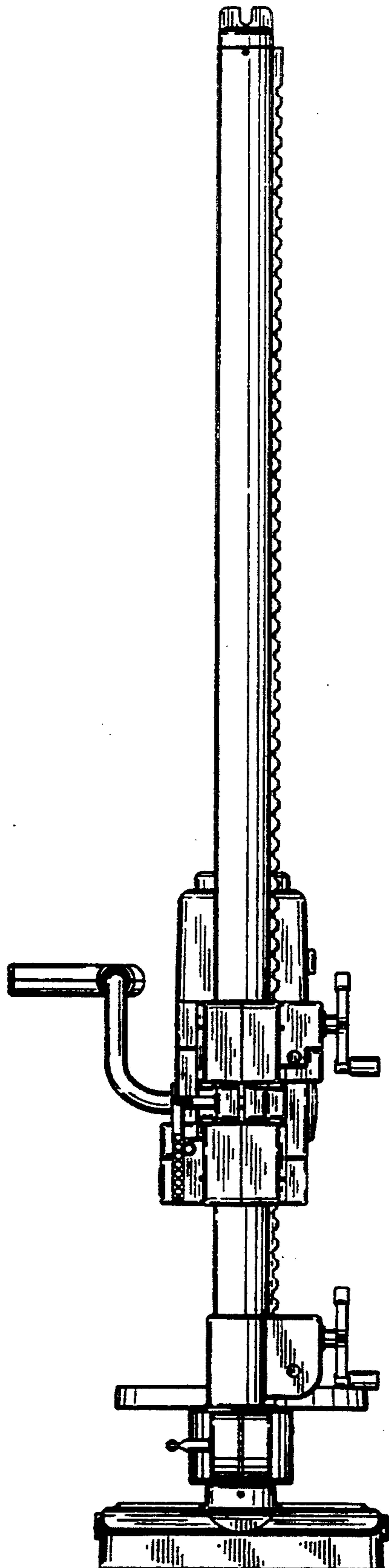


FIG. 4

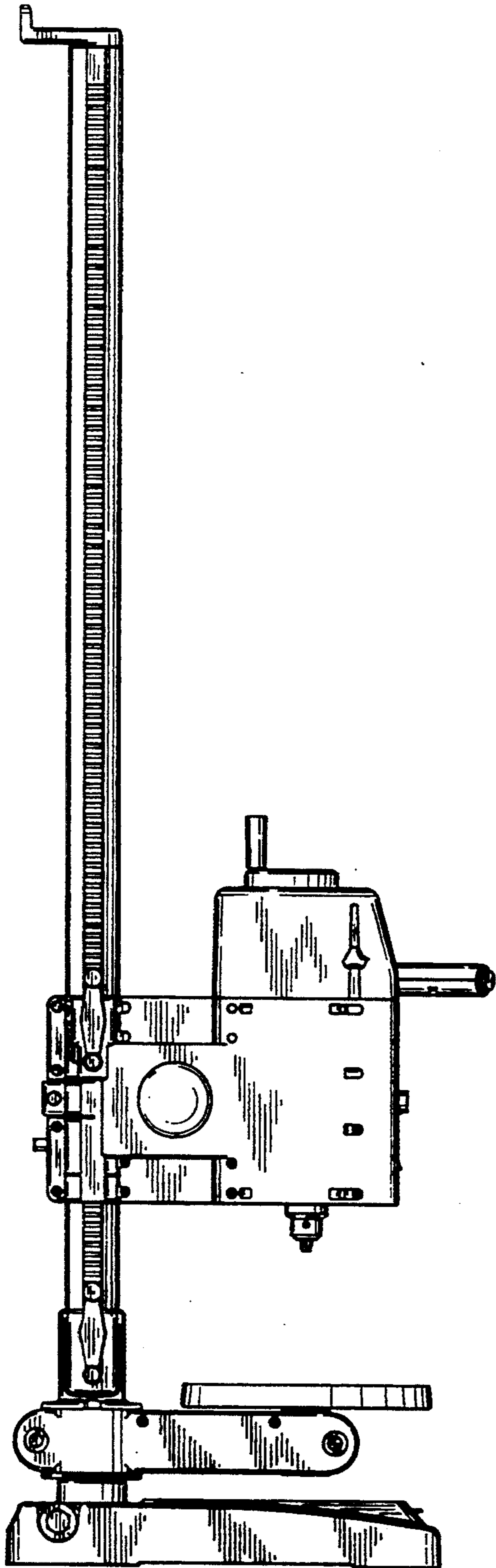


FIG. 5

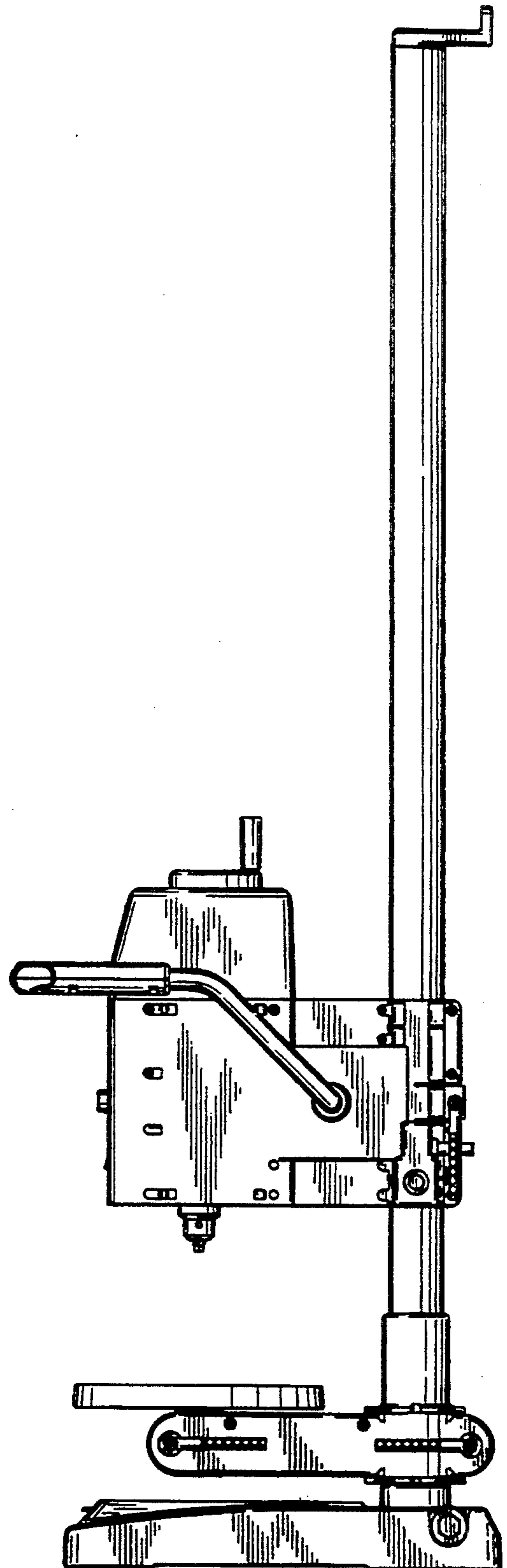


FIG. 6

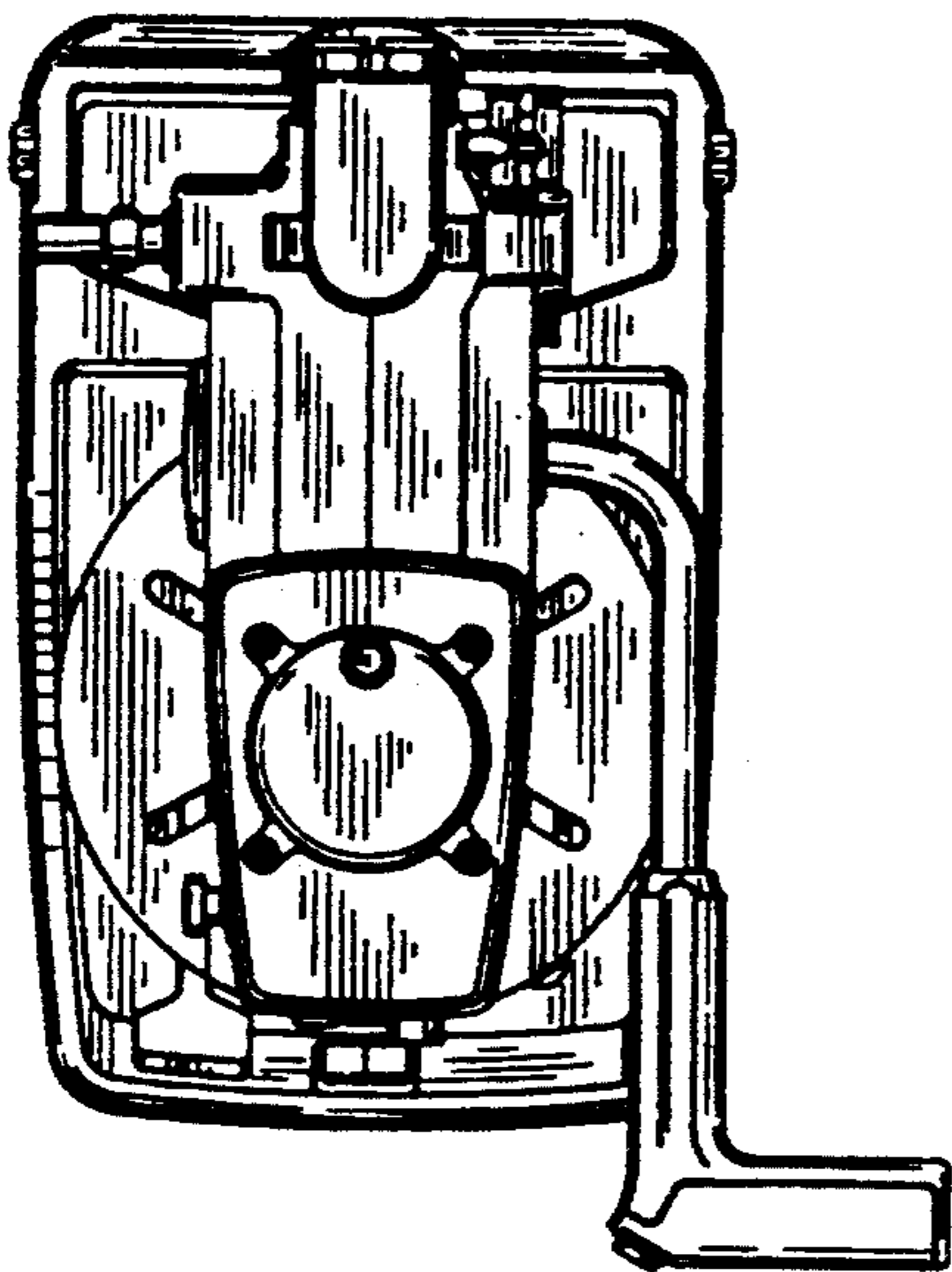


FIG. 7

