



US00D359055S

United States Patent [19]

[11] Patent Number: **Des. 359,055**

Drago et al.

[45] Date of Patent: **** Jun. 6, 1995**

[54] **REFRIGERANT RECLAMATION UNIT**

[75] Inventors: **Thomas E. Drago, Liverpool; Philip A. Hider, Marcellus, both of N.Y.**

[73] Assignee: **Carrier Corporation, Syracuse, N.Y.**

[**] Term: **14 Years**

[21] Appl. No.: **14,208**

[22] Filed: **Oct. 15, 1993**

[52] U.S. Cl. **D15/79; D23/207; D23/209**

[58] Field of Search **D23/200, 207, 209, 332; D15/79, 151, 152; 62/77, 85, 125, 128, 129, 149, 292; D13/109; D34/14, 25**

[56] **References Cited**

U.S. PATENT DOCUMENTS

- D. 328,777 8/1992 Thalmann et al. D23/209
- D. 332,993 2/1993 Dea et al. D23/207
- D. 337,592 7/1993 Hider et al. D15/79

- D. 344,527 2/1994 Drago et al. D15/79
- D. 352,090 11/1994 Dea et al. D23/207
- 5,214,931 6/1993 Paige 62/125
- 5,226,300 7/1993 Christensen et al. 62/77
- 5,247,804 9/1993 Paige et al. 62/77
- 5,255,527 10/1993 Paige 62/85

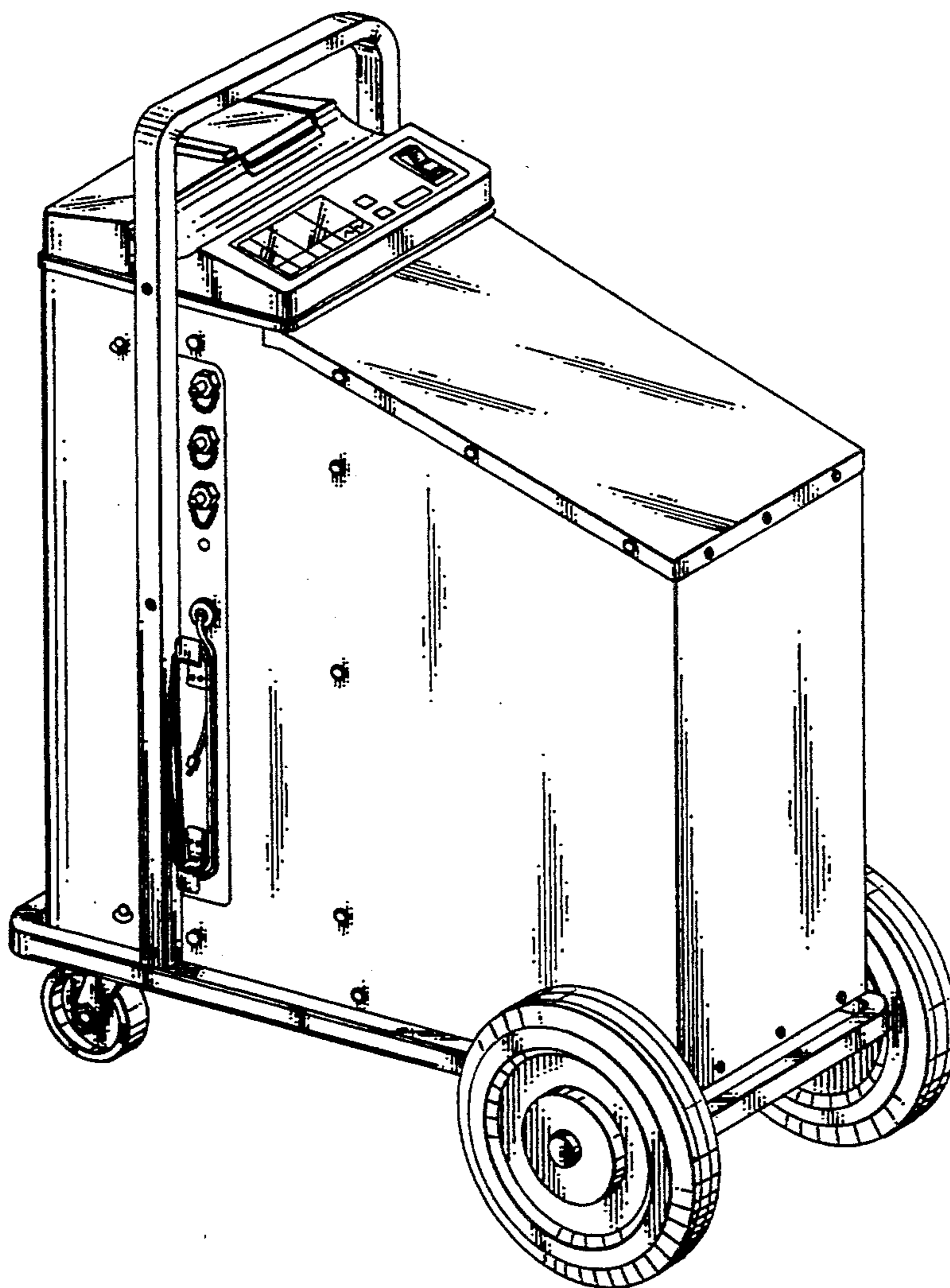
Primary Examiner—Louis S. Zarfaz
Assistant Examiner—Monica A. Hannon

[57] **CLAIM**

The ornamental design for a refrigerant reclamation unit, as shown and described.

DESCRIPTION

FIG. 1 is a perspective view of a refrigerant reclamation unit showing our new design;
FIG. 2 is a top plan view thereof;
FIG. 3 is a left side elevational view thereof;
FIG. 4 is a bottom plan view thereof;
FIG. 5 is a right side elevational view thereof;
FIG. 6 is a front elevational view thereof; and,
FIG. 7 is a rear elevational view thereof.



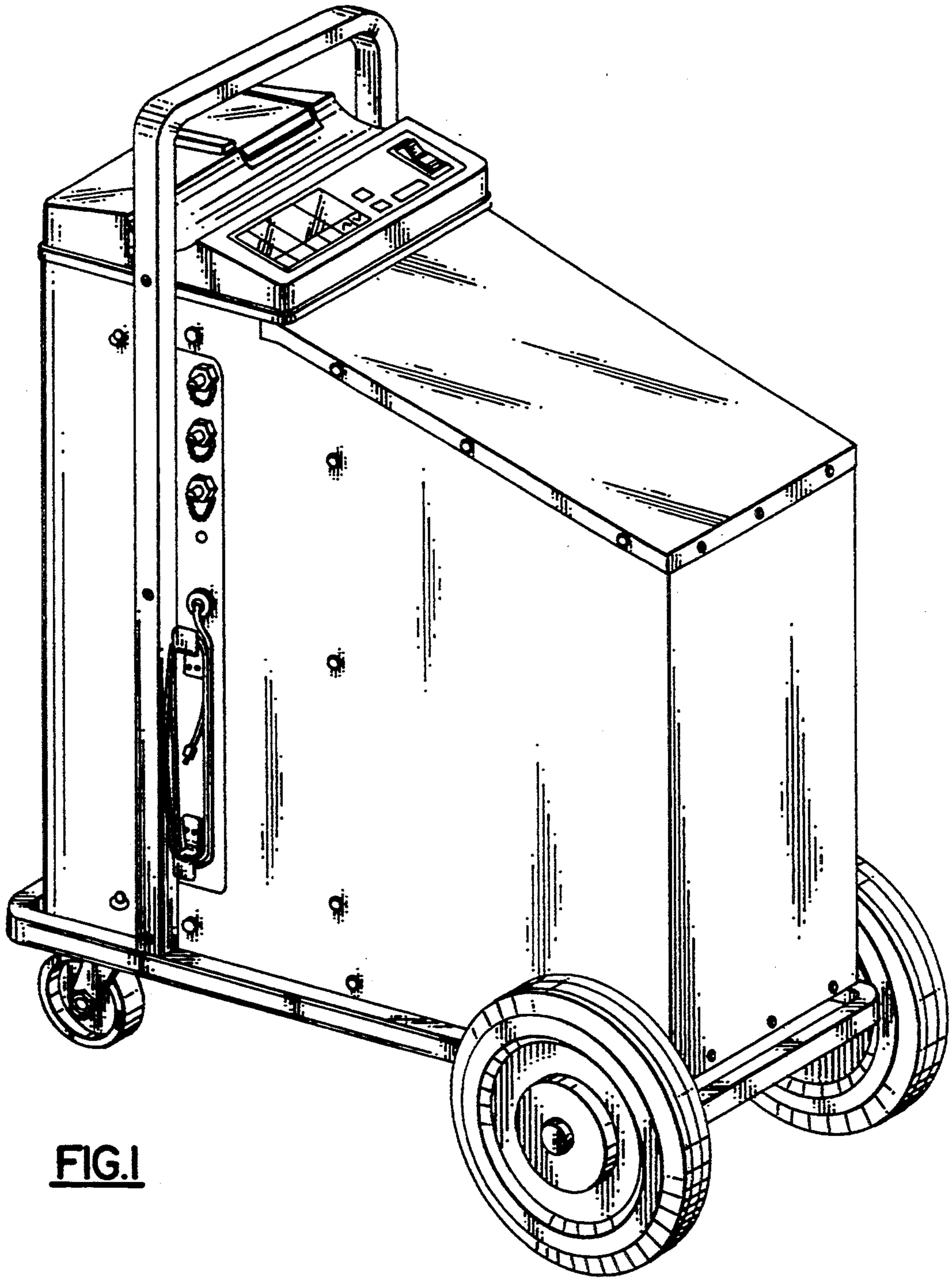


FIG. 1

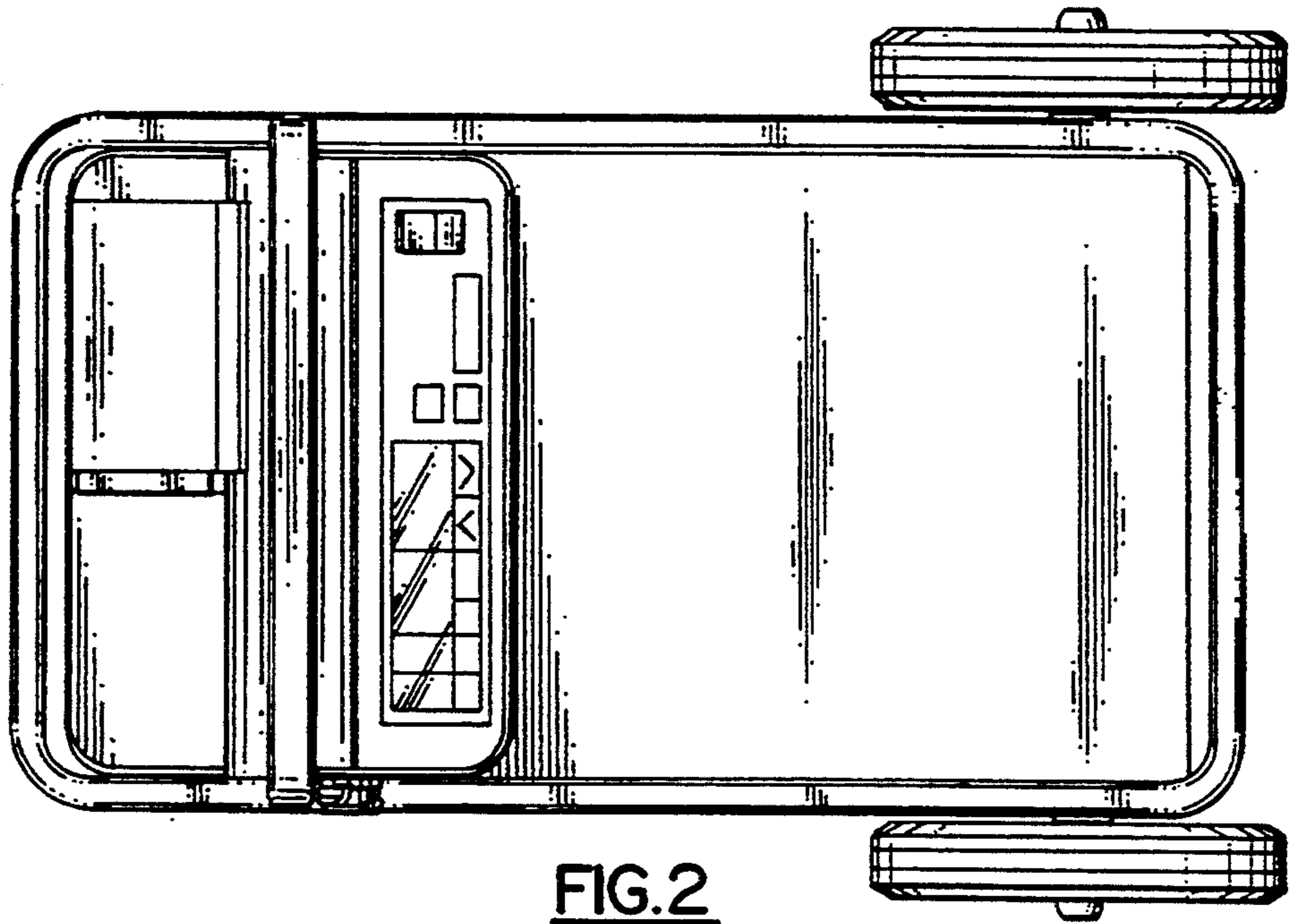


FIG. 2

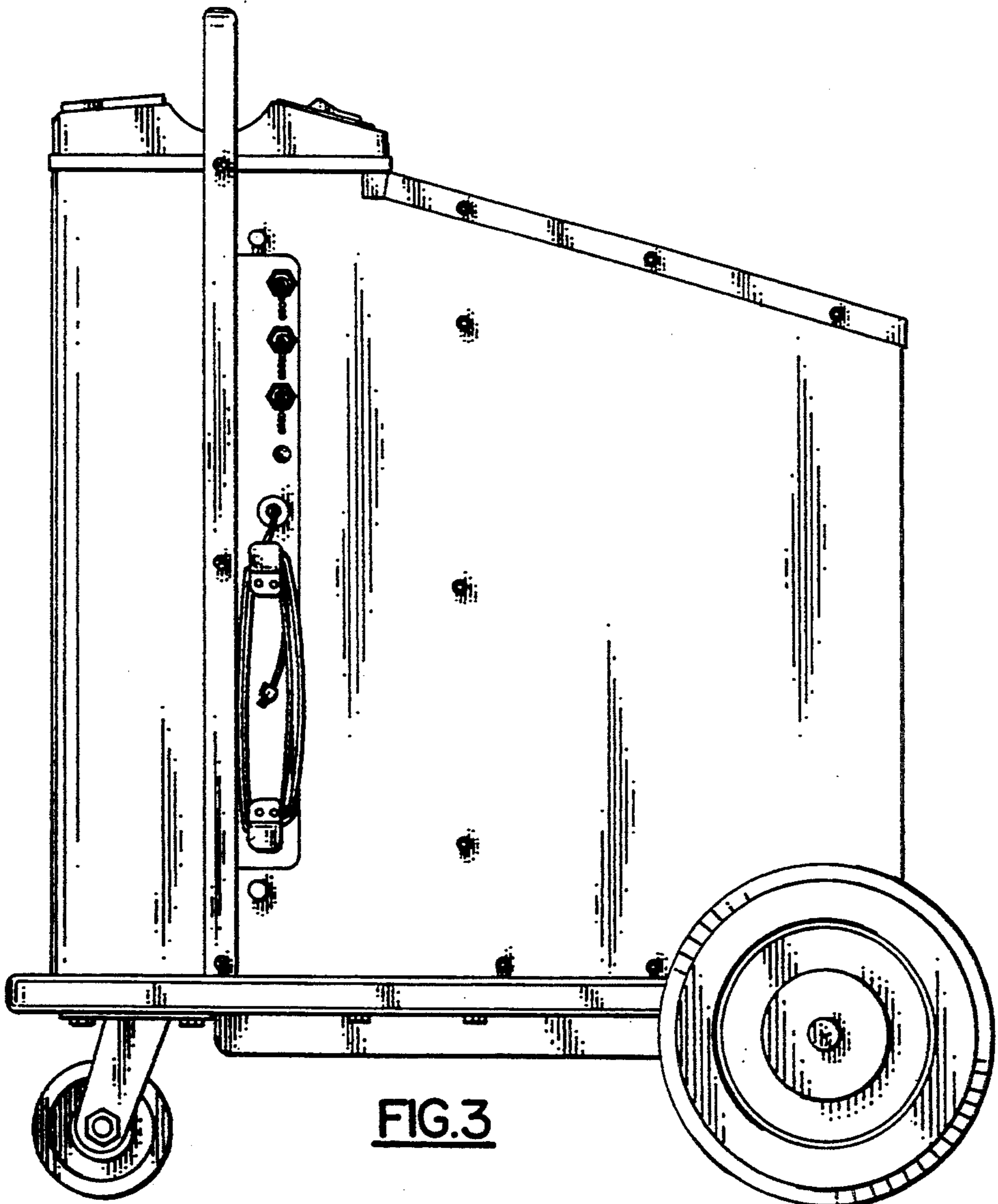


FIG. 3

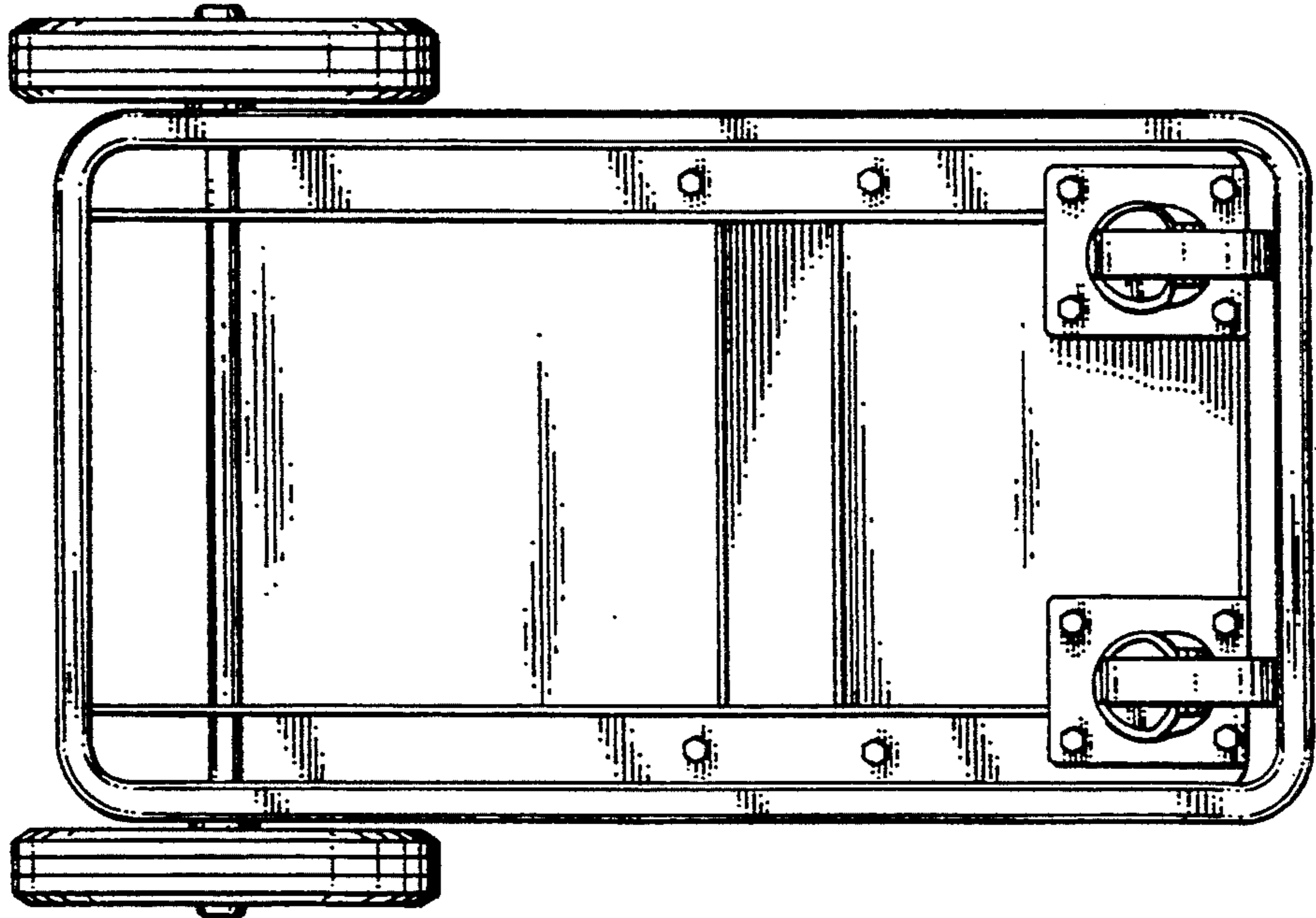


FIG. 4

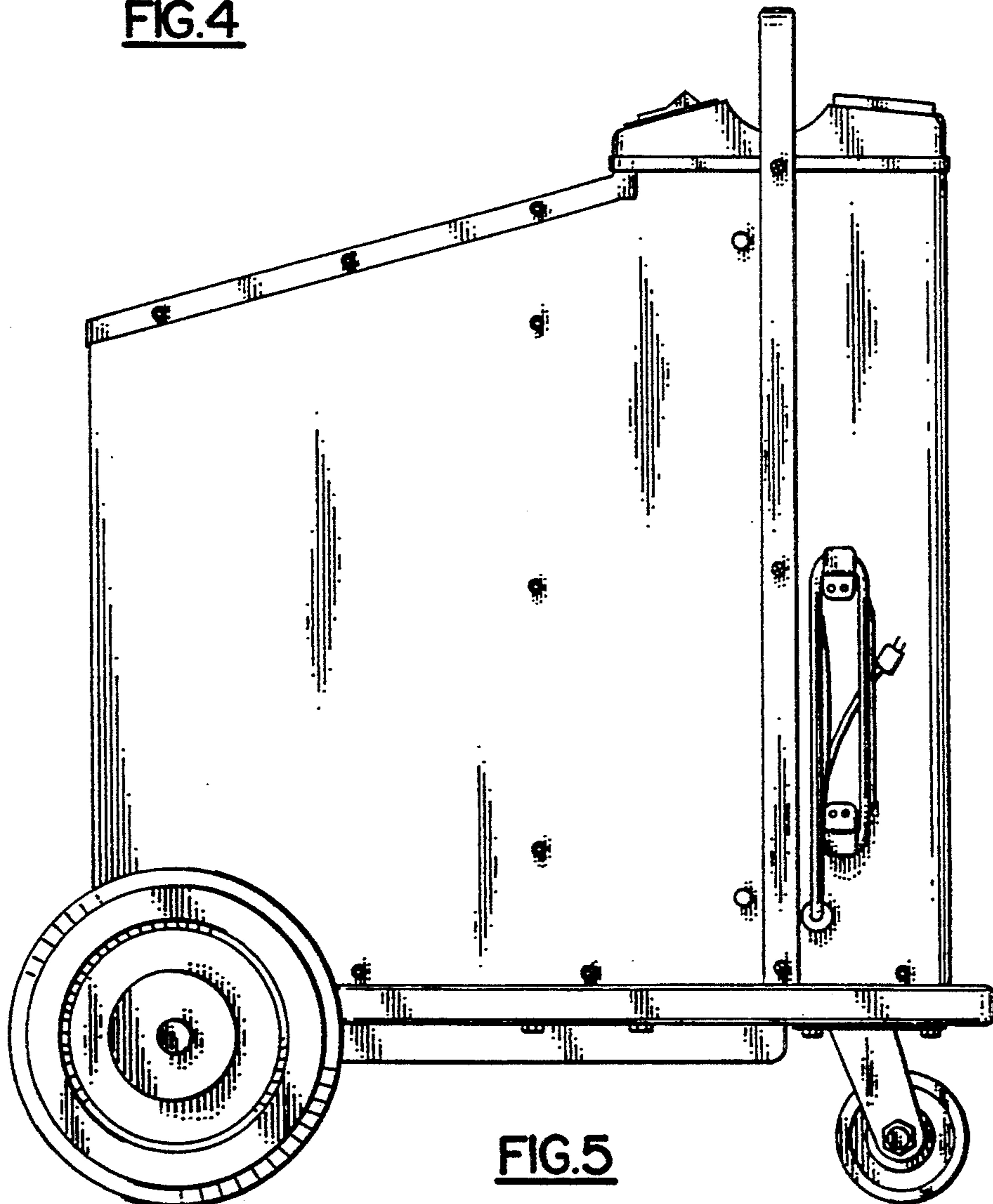


FIG. 5

