



US00D359053S

United States Patent [19]

[11] Patent Number: **Des. 359,053**

Gustafsson

[45] Date of Patent: **** Jun. 6, 1995**

[54] SEWING MACHINE

[75] Inventor: **Anders Gustafsson, Göteborg, Sweden**

[73] Assignee: **Husqvarna Sewing Machines Aktiebolag, Sweden**

[**] Term: **14 Years**

[21] Appl. No.: **837,407**

[22] Filed: **Feb. 18, 1992**

[30] **Foreign Application Priority Data**

Aug. 20, 1991 [SE] Sweden 91-1637

[52] U.S. Cl. **D15/70**

[58] Field of Search **D15/66-76; 112/217.1-217.4, 258-261**

[56] **References Cited**

U.S. PATENT DOCUMENTS

- D. 280,730 9/1985 Uchida D15/69
- D. 281,429 11/1985 Kuroki D15/69
- D. 289,052 3/1987 Kuroki D15/69

- D. 292,588 11/1987 Uchida D15/69
- D. 293,115 12/1987 Kuroki D15/69
- D. 323,832 2/1992 Eguchi et al. D15/69
- D. 330,713 11/1992 Kuroki D15/70
- 4,099,474 7/1978 Hamlett et al. 112/258

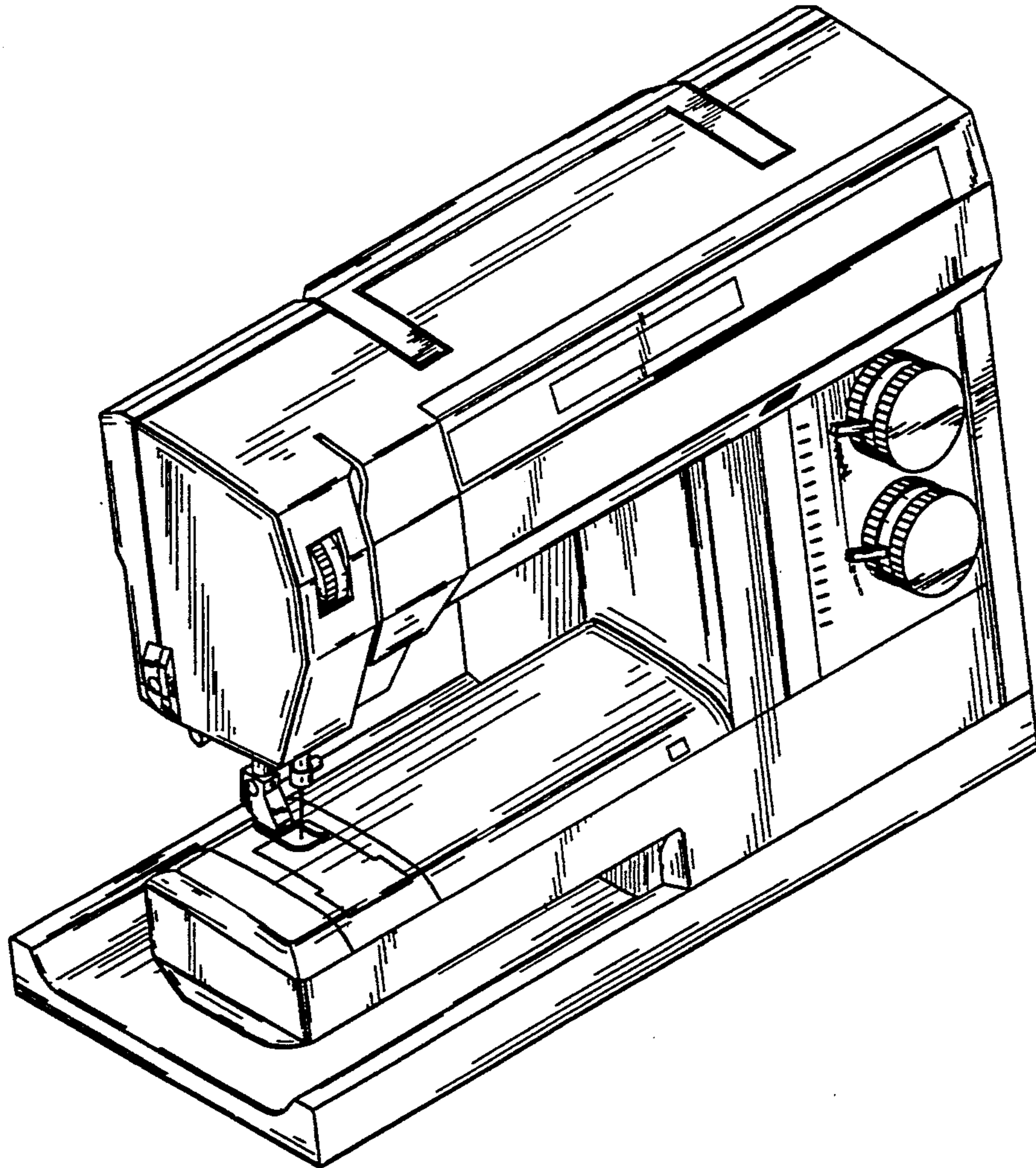
Primary Examiner—Bernard Ansher
Assistant Examiner—Sandra Morris
Attorney, Agent, or Firm—Pearne, Gordon, McCoy & Granger

[57] **CLAIM**

The ornamental design for a sewing machine, as shown and described.

DESCRIPTION

FIG. 1 is a front perspective view of a sewing machine, showing my new design;
FIG. 2 is a front elevational view thereof;
FIG. 3 is a rear elevational view thereof;
FIG. 4 is a right end elevational view thereof;
FIG. 5 is a left end elevational view thereof;
FIG. 6 is a top plan view thereof; and,
FIG. 7 is a bottom plan view thereof.



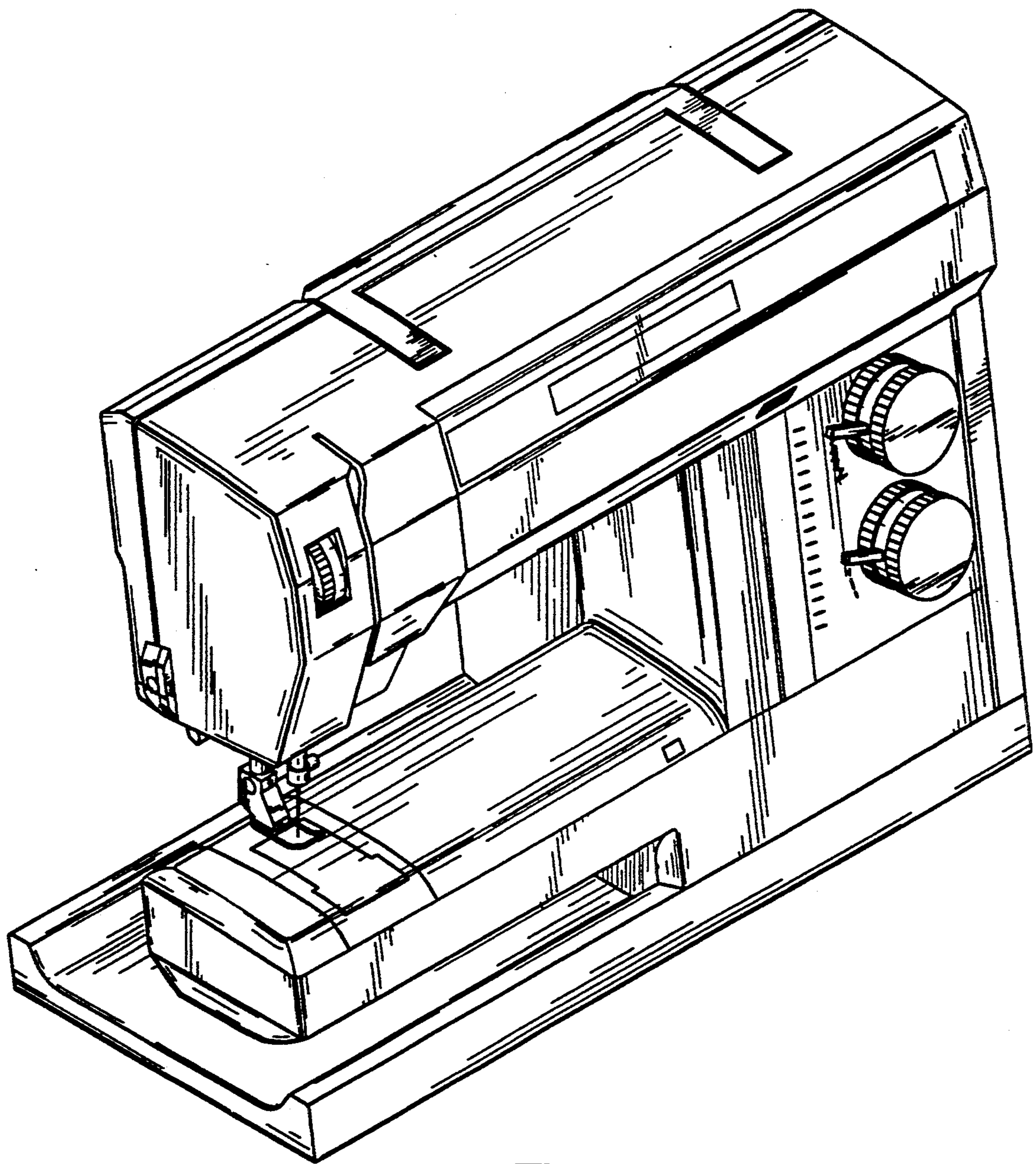


Fig.1

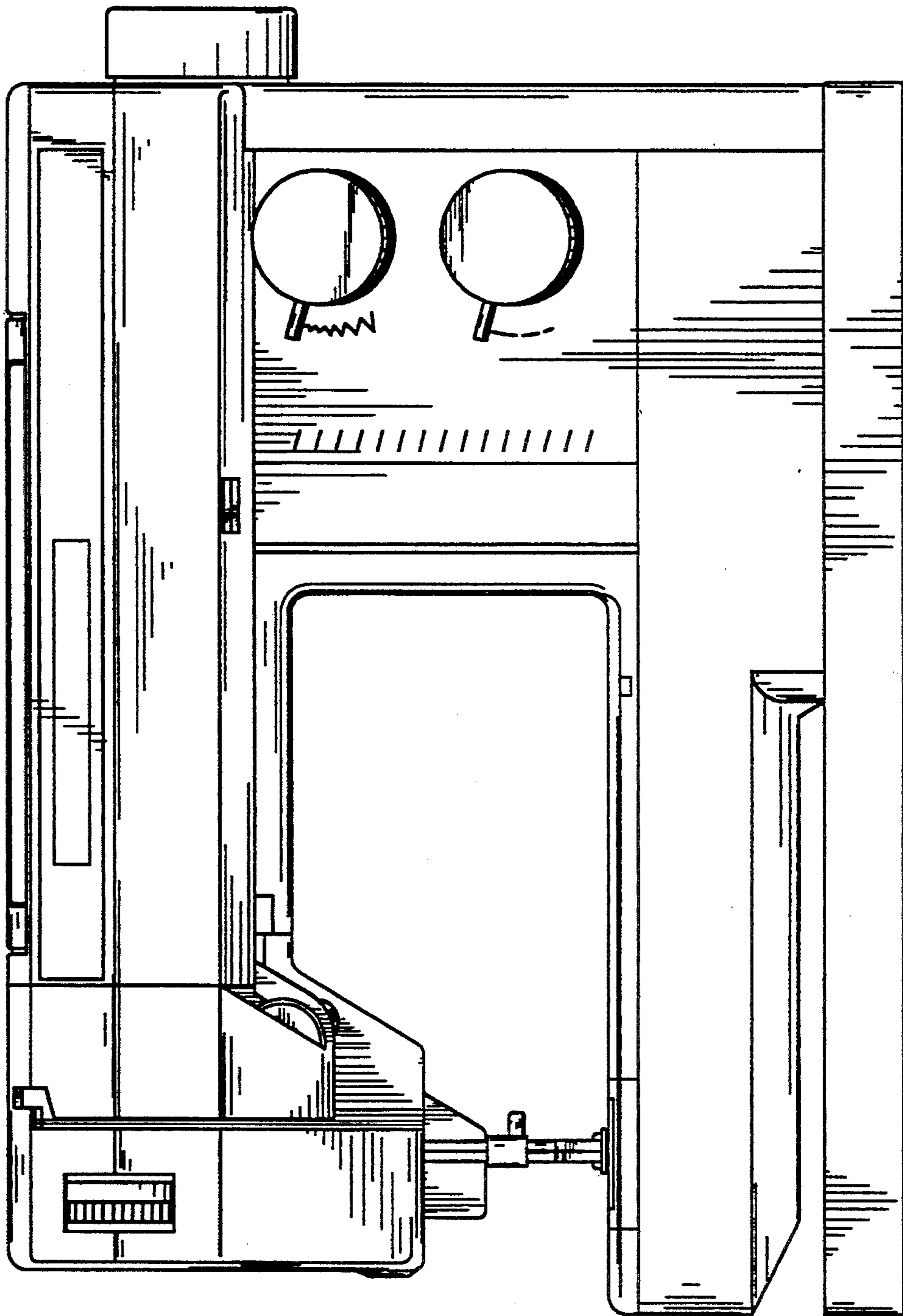


Fig.2

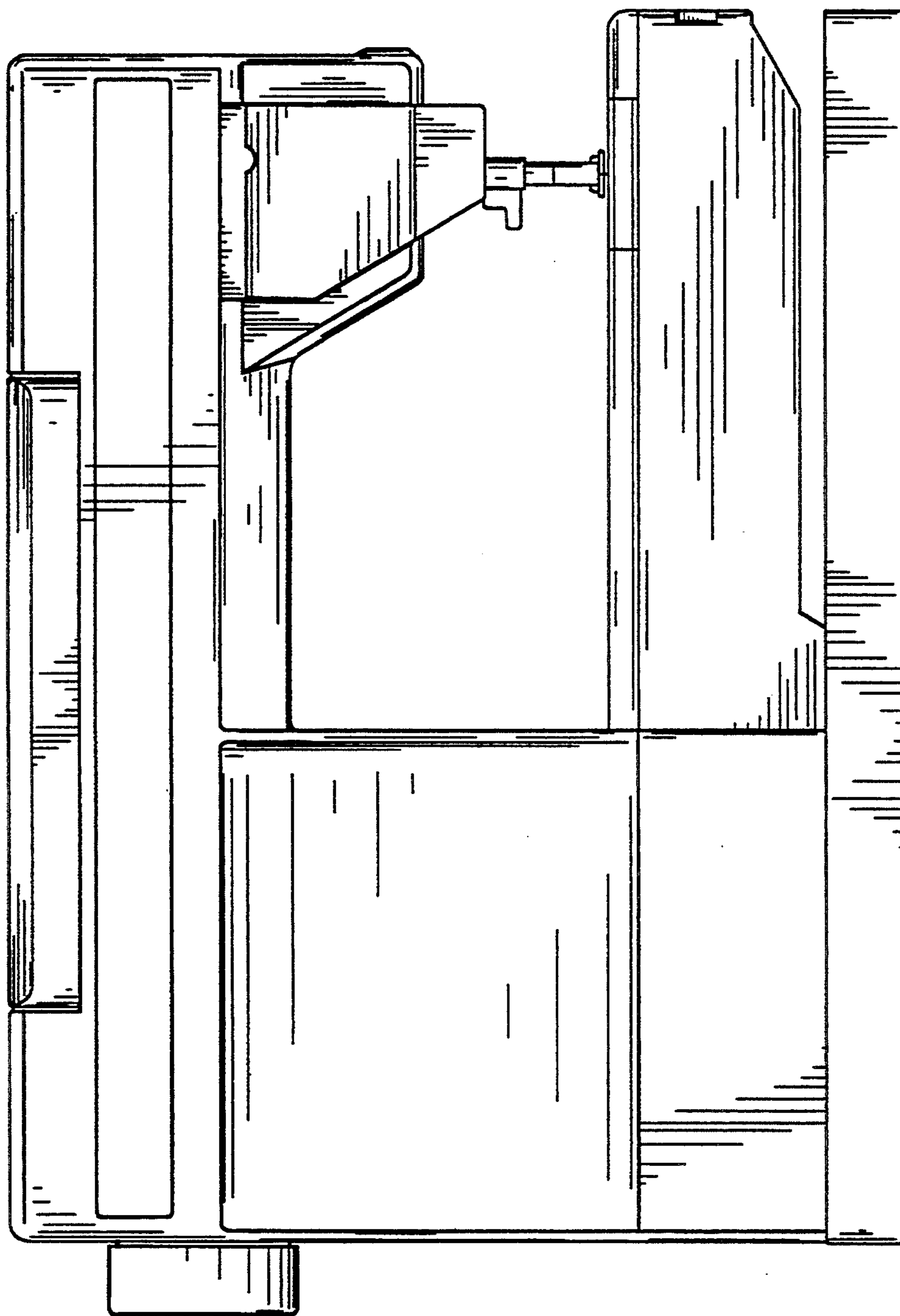


Fig.3

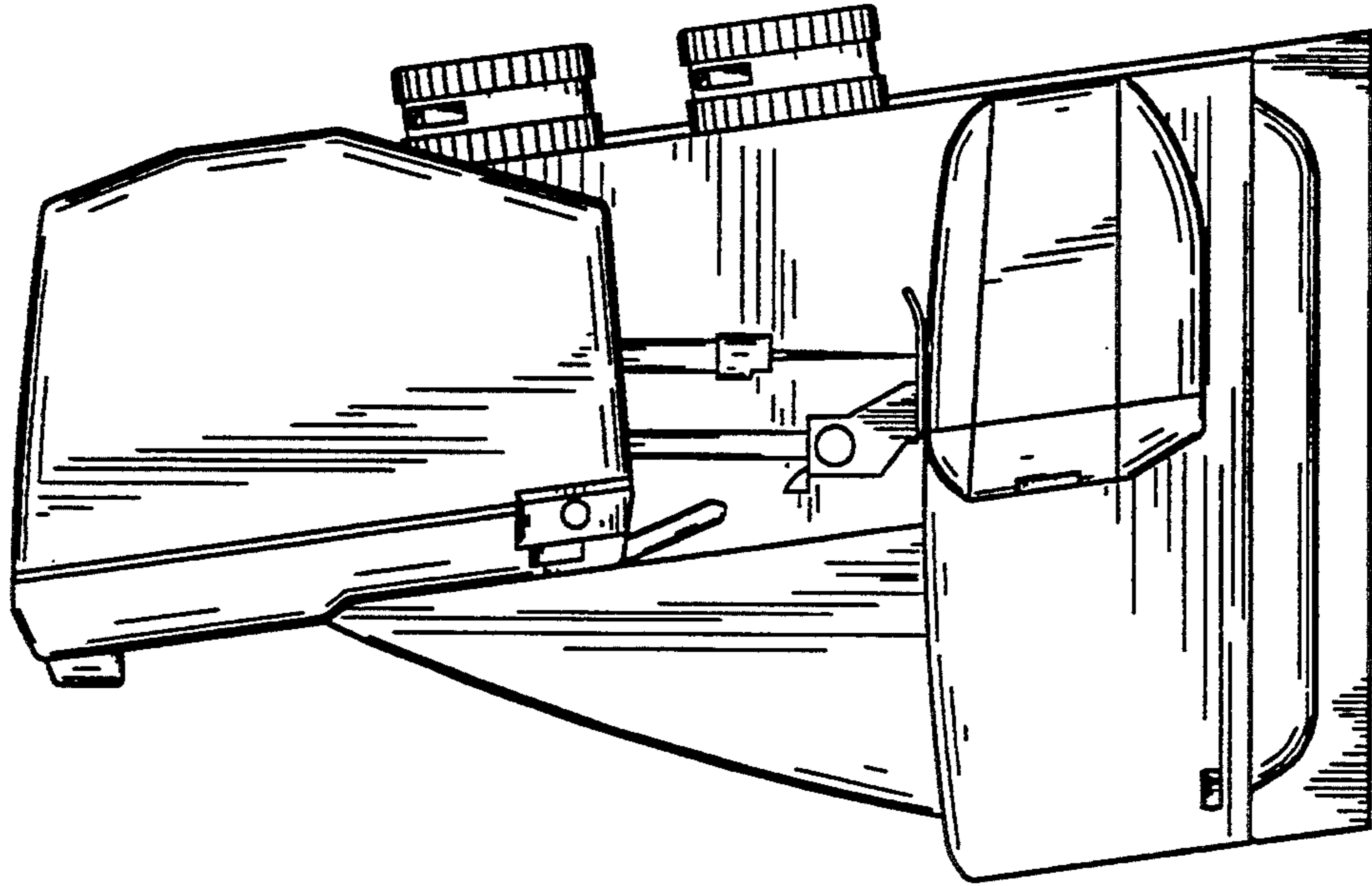


Fig.5

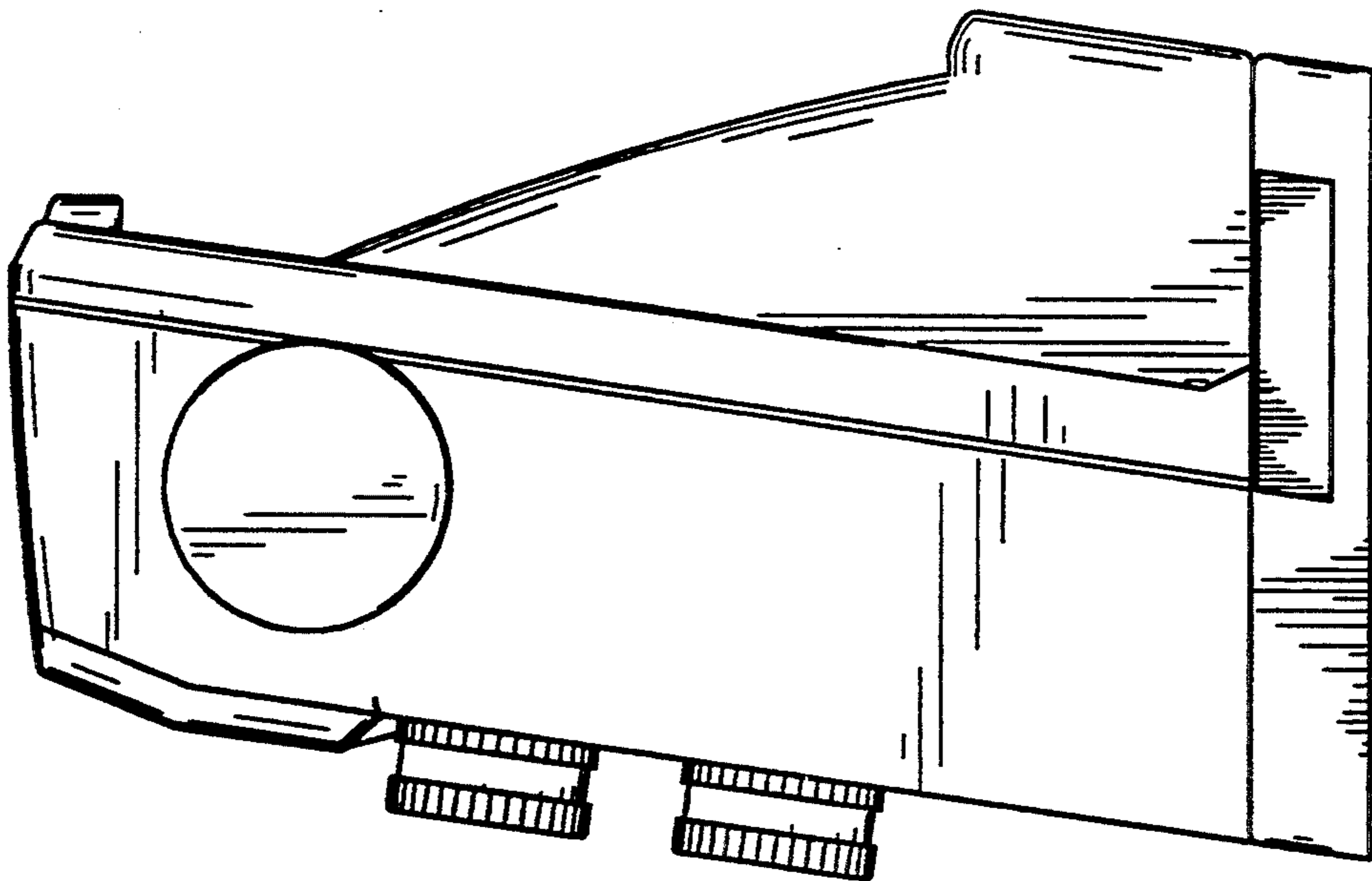


Fig.4

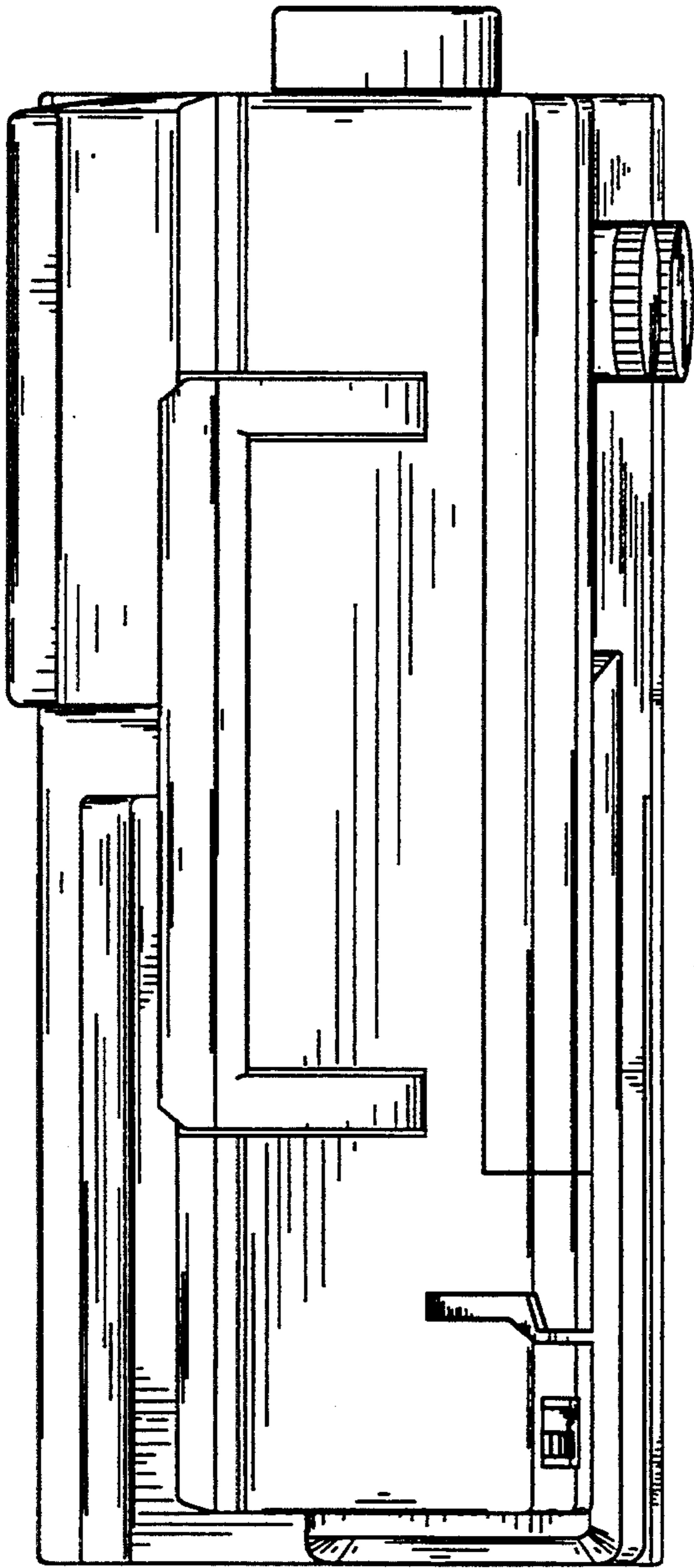


Fig.6

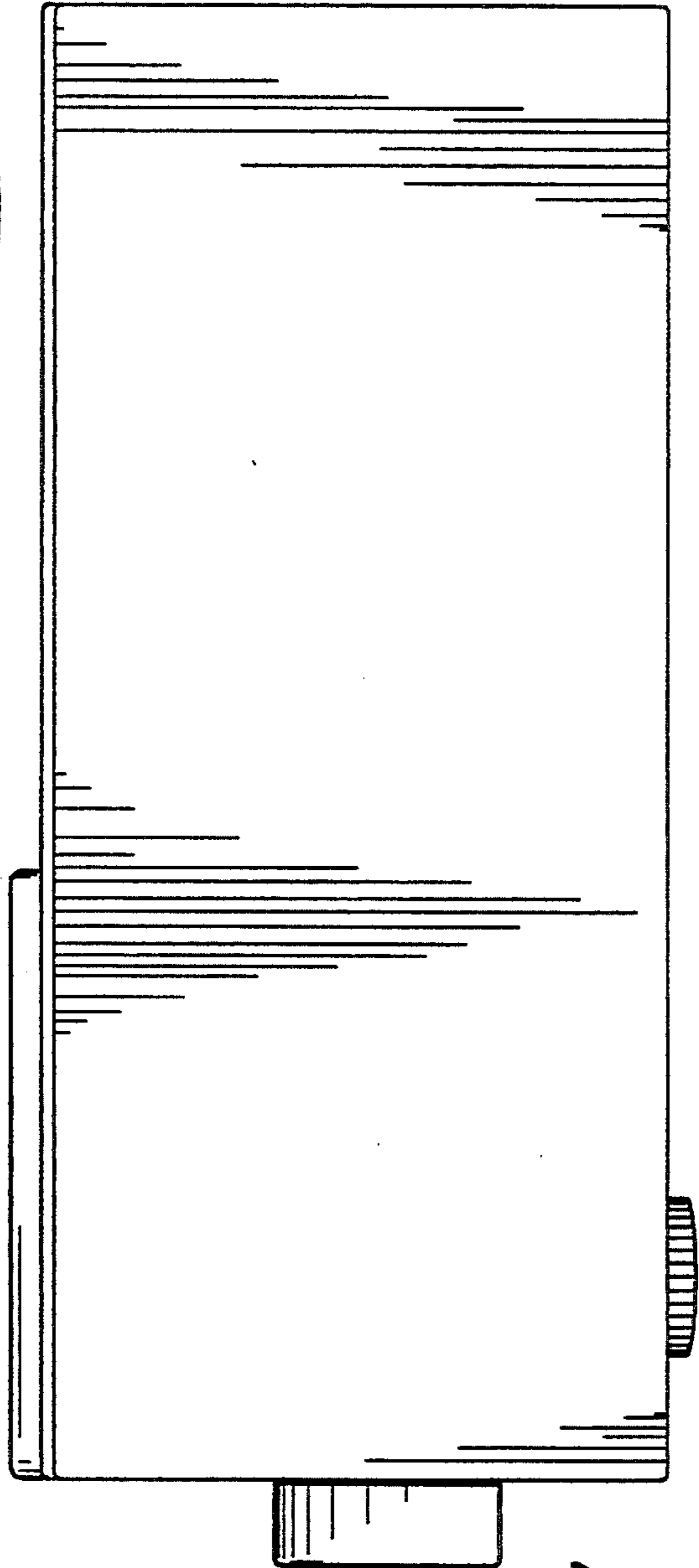


Fig.7