



US00D359052S

United States Patent [19]

[11] Patent Number: **Des. 359,052**

Nagele et al.

[45] Date of Patent: **** Jun. 6, 1995**

[54] **STAND FOR A PORTABLE TELEPHONE**

[75] Inventors: **Albert L. Nagele, Wilmette; Leonid Soren, Lincolnwood, both of Ill.**

[73] Assignee: **Motorola, Schaumburg, Ill.**

[**] Term: **14 Years**

[21] Appl. No.: **19,525**

[22] Filed: **Mar. 7, 1994**

[52] U.S. Cl. **D14/253; D6/455**

[58] **Field of Search** **D6/449, 455, 458, 457, D6/415, 495; D19/81, 96; D14/140, 240, 114, 253, 251, 149, 142, 252; 379/58-61, 440, 449, 450, 454, 455; 215/228, 252, 295, 100 A; 248/473; 211/13; D21/189; D9/443, 454, 435, 436**

[56] **References Cited**

U.S. PATENT DOCUMENTS

- D. 30,046 1/1899 Pincus D19/81 X
- D. 33,640 12/1900 Barr D14/251
- D. 96,018 6/1935 Cannon D14/251
- D. 223,842 6/1972 Kuchta D21/189 X

- D. 262,210 12/1981 Janda D14/253
- D. 292,966 12/1987 Gager D9/436
- D. 298,442 11/1988 Murtagh D19/96
- D. 312,043 11/1990 Van Der Tang D9/443
- D. 328,210 7/1992 Callon D6/495 X
- D. 338,484 8/1993 Richfield D6/454 X
- 2,991,334 7/1961 Wandel D14/253 X

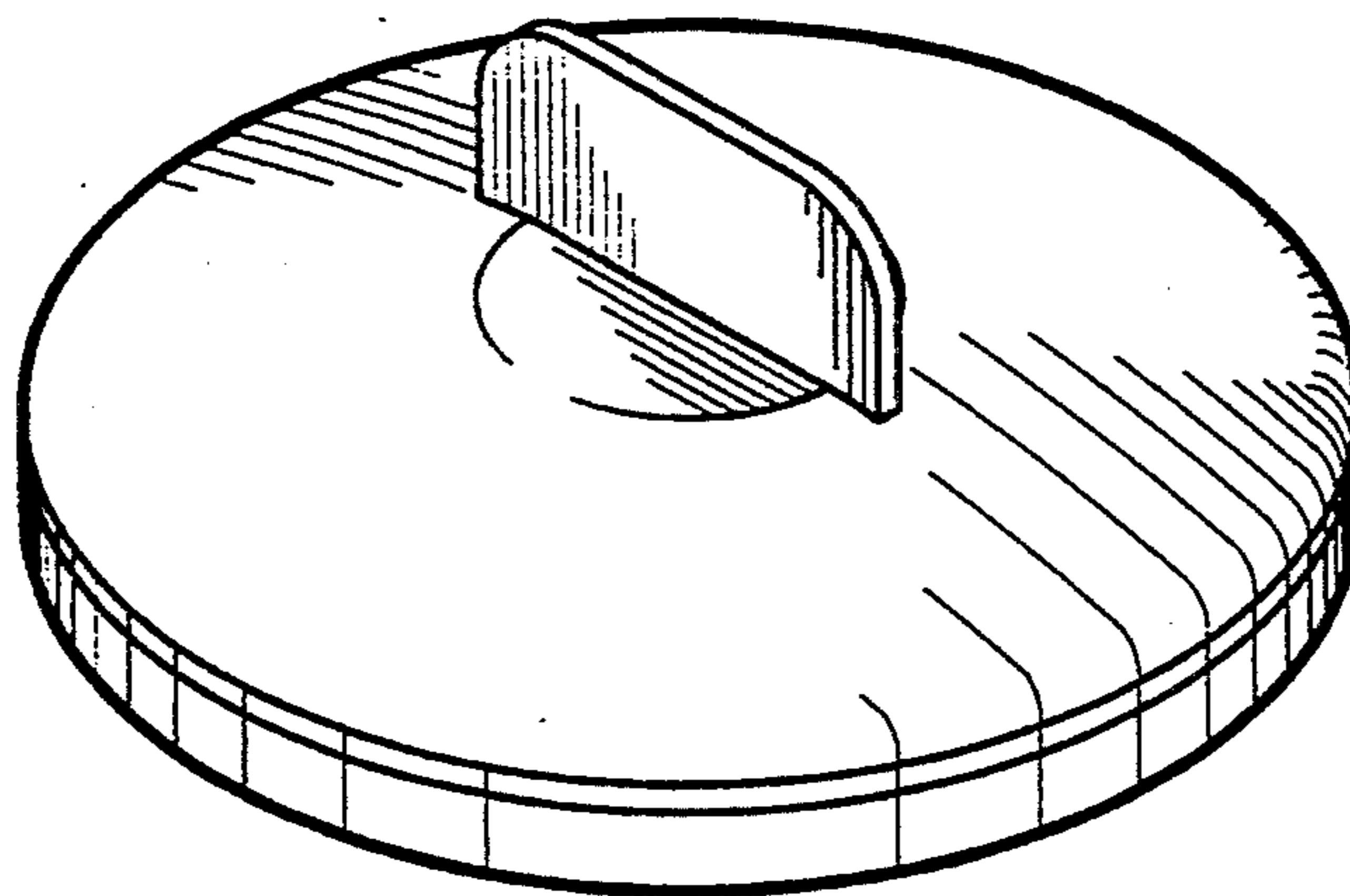
Primary Examiner—Jeffrey Asch
Attorney, Agent, or Firm—Kevin D. Kaschke; Jonathan P. Meyer

[57] **CLAIM**

The ornamental design for a stand for a portable telephone, as shown and described.

DESCRIPTION

FIG. 1 is a top, front and left side perspective view of a stand for a portable telephone showing our new design; FIG. 2 is a front side elevational view thereof, the rear side elevational view thereof being a mirror image of the front side elevational view thereof; FIG. 3 is a left side elevational view thereof, the right side elevational view thereof being a mirror image of the left side elevational view thereof; and, FIG. 4 is a bottom side plan view thereof.



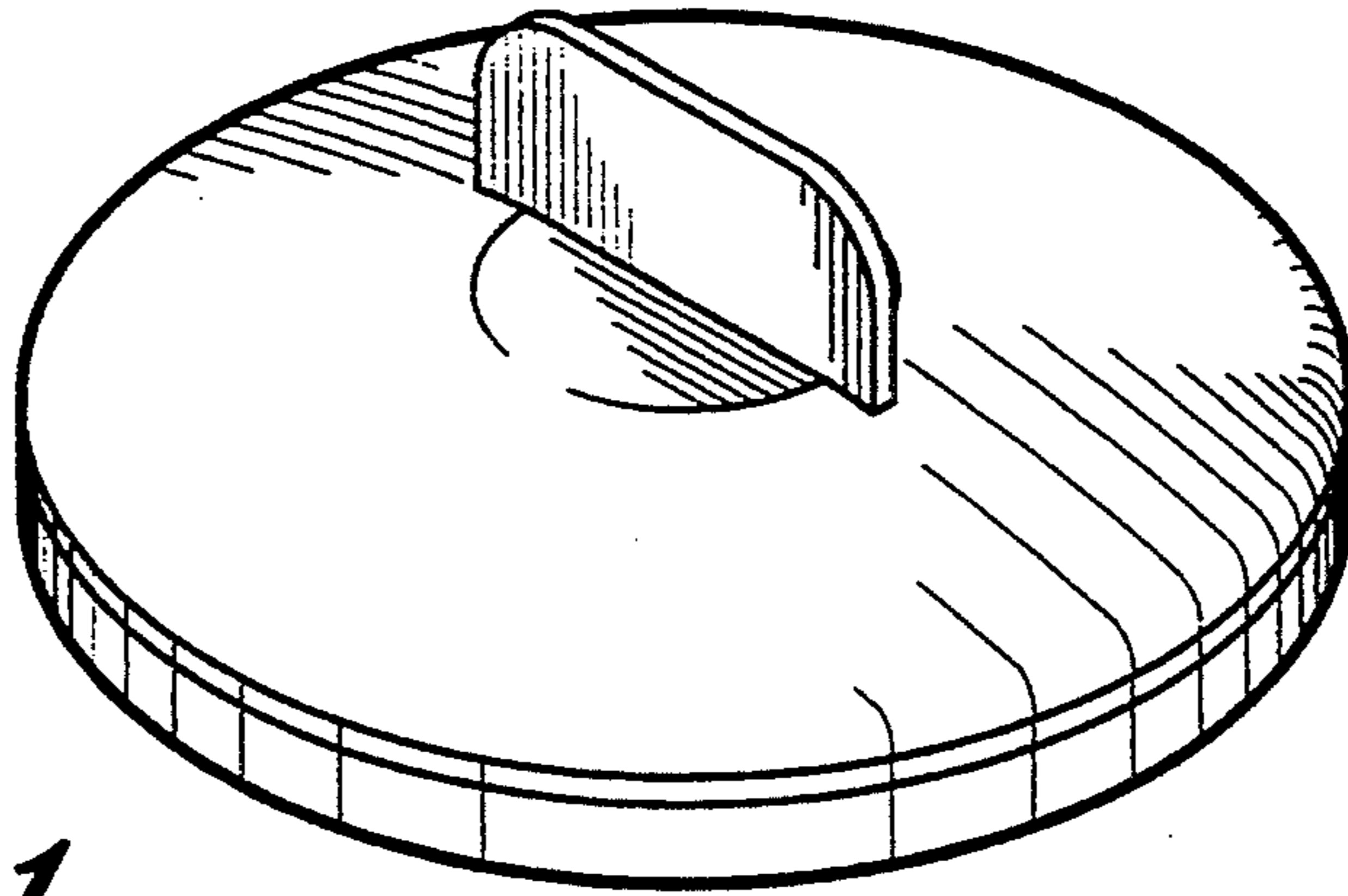


FIG. 1

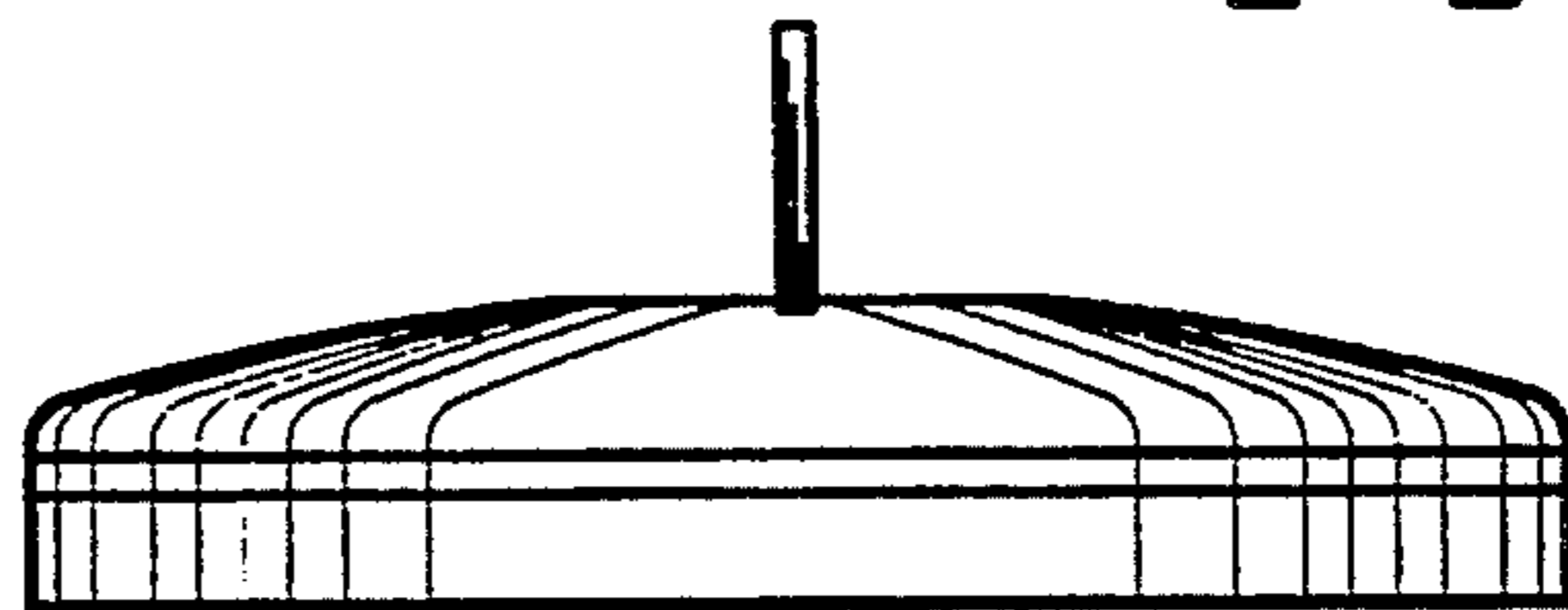


FIG. 2

FIG. 3

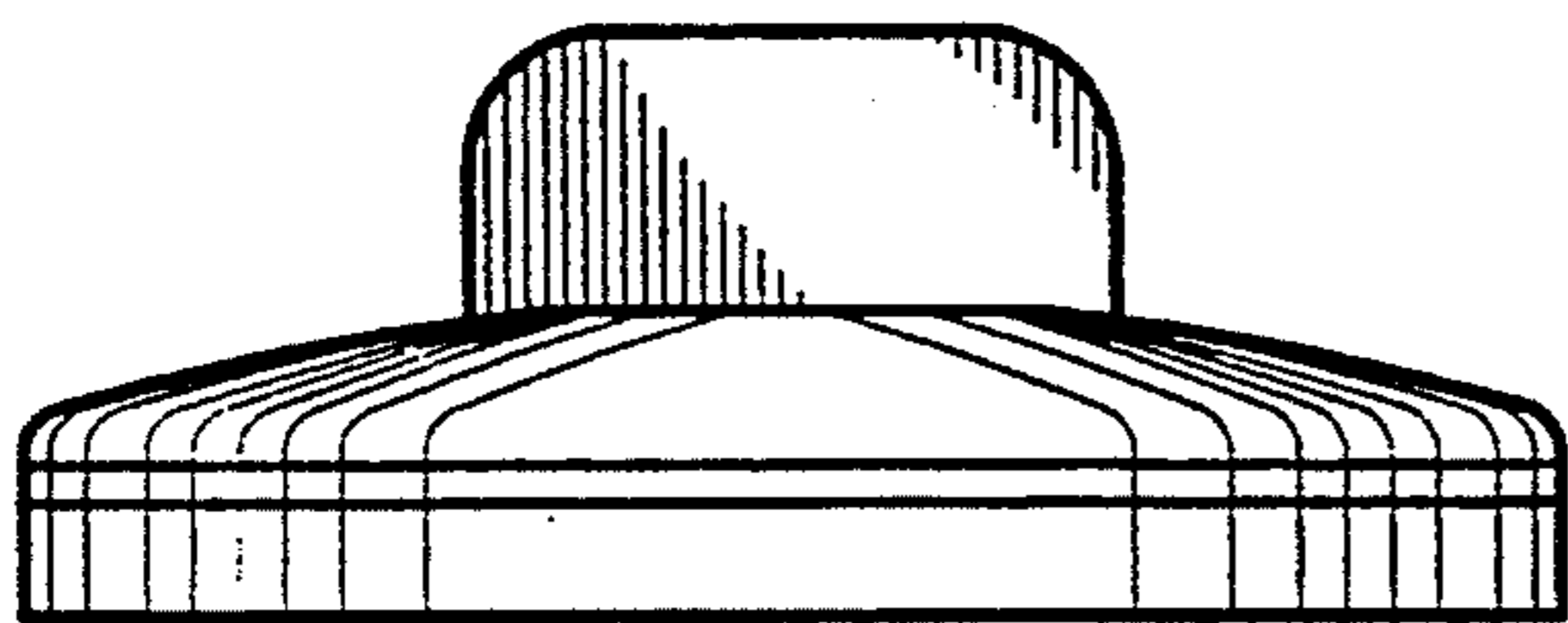


FIG. 4

