



US00D359051S

United States Patent [19]

Hirschhorn

[11] Patent Number: **Des. 359,051**

[45] Date of Patent: **** Jun. 6, 1995**

[54] MICROPHONE WAND AND CEILING RING

[76] Inventor: **Bruce D. Hirschhorn**, 156 Farber Hill Rd., Boonton, N.J. 07005

[**] Term: **14 Years**

[21] Appl. No.: **3,322**

[22] Filed: **Nov. 25, 1992**

[52] U.S. Cl. **D14/228; D14/209**

[58] Field of Search **D14/204, 209, 225-229; 381/91, 122, 168-170**

[56] References Cited

U.S. PATENT DOCUMENTS

| | | | | |
|------------|---------|-----------------|-------|---------|
| D. 238,185 | 12/1975 | Wellward | | D14/209 |
| D. 255,234 | 6/1980 | Wellward et al. | | D14/209 |
| D. 275,097 | 8/1984 | Festa et al. | | D14/227 |
| D. 278,625 | 4/1985 | Mathiasen | | D14/228 |
| D. 289,835 | 5/1987 | Schoenig et al. | | D14/229 |
| D. 296,435 | 6/1988 | Kubota | | D14/228 |
| 3,459,902 | 8/1969 | Warning | | 381/170 |
| 4,757,546 | 7/1988 | Akino | | 381/169 |
| 4,991,220 | 2/1991 | Wolf | | 381/169 |

OTHER PUBLICATIONS

Sound-Communications Jan. 1987 p. 3 Center Microphone.

Video Review May 1988 p. 53 bottom Audio-Technica Microphone.

Primary Examiner—Theodore M. Shooman

Assistant Examiner—Sandra Morris

Attorney, Agent, or Firm—Michael J. Weins

[57] CLAIM

The ornamental design for a microphone wand and ceiling ring, as shown and described.

DESCRIPTION

FIG. 1 is a perspective view of a microphone wand and ceiling ring, showing my new design, the broken line showing of the ceiling is for illustrative purposes only, and forms no part of the claimed design;

FIG. 2 is a top plan view thereof;

FIG. 3 is a front elevational view thereof;

FIG. 4 is a bottom plan view thereof;

FIG. 5 is a right end elevational view thereof; and,

FIG. 6 is a left end elevational view thereof.

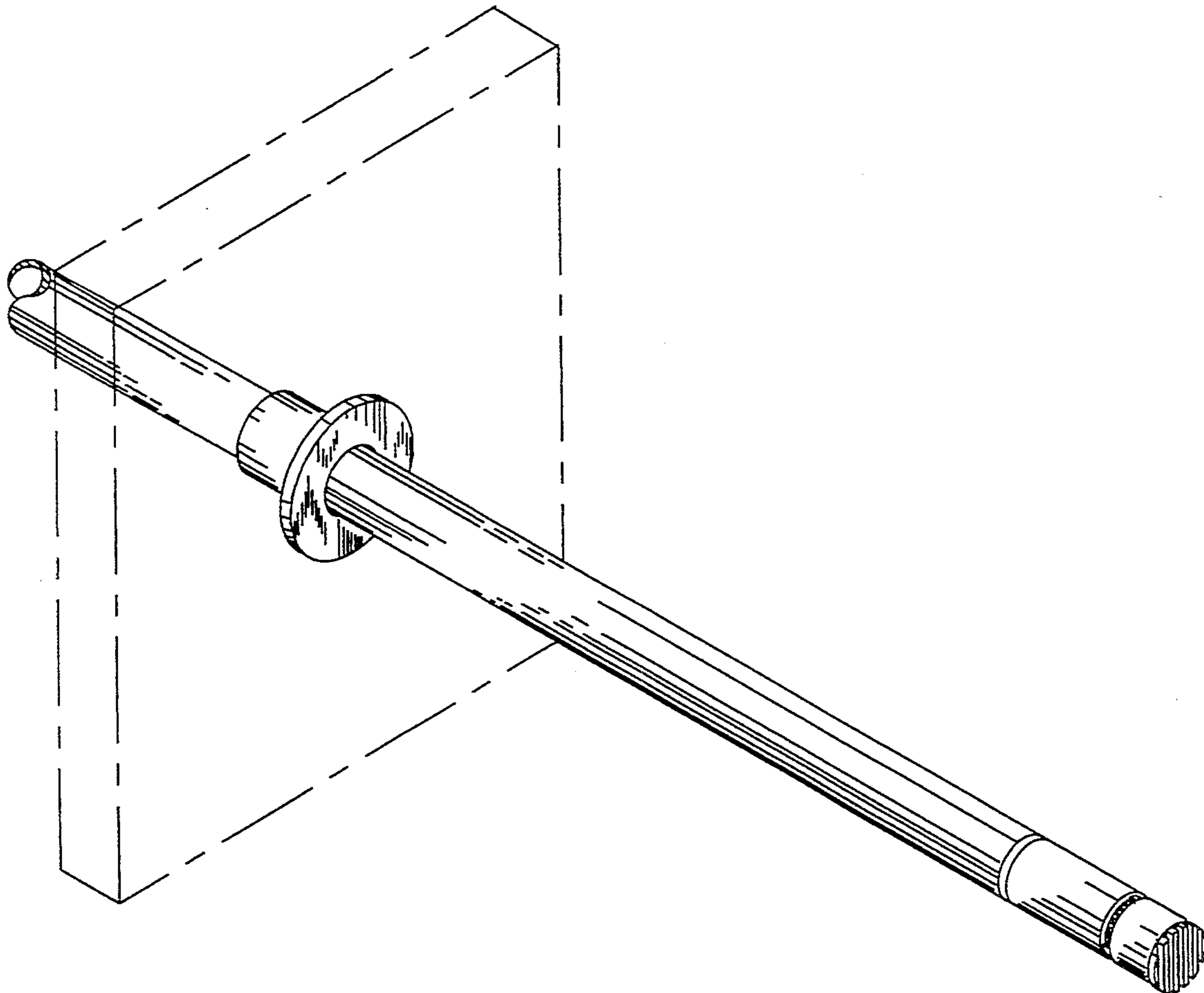
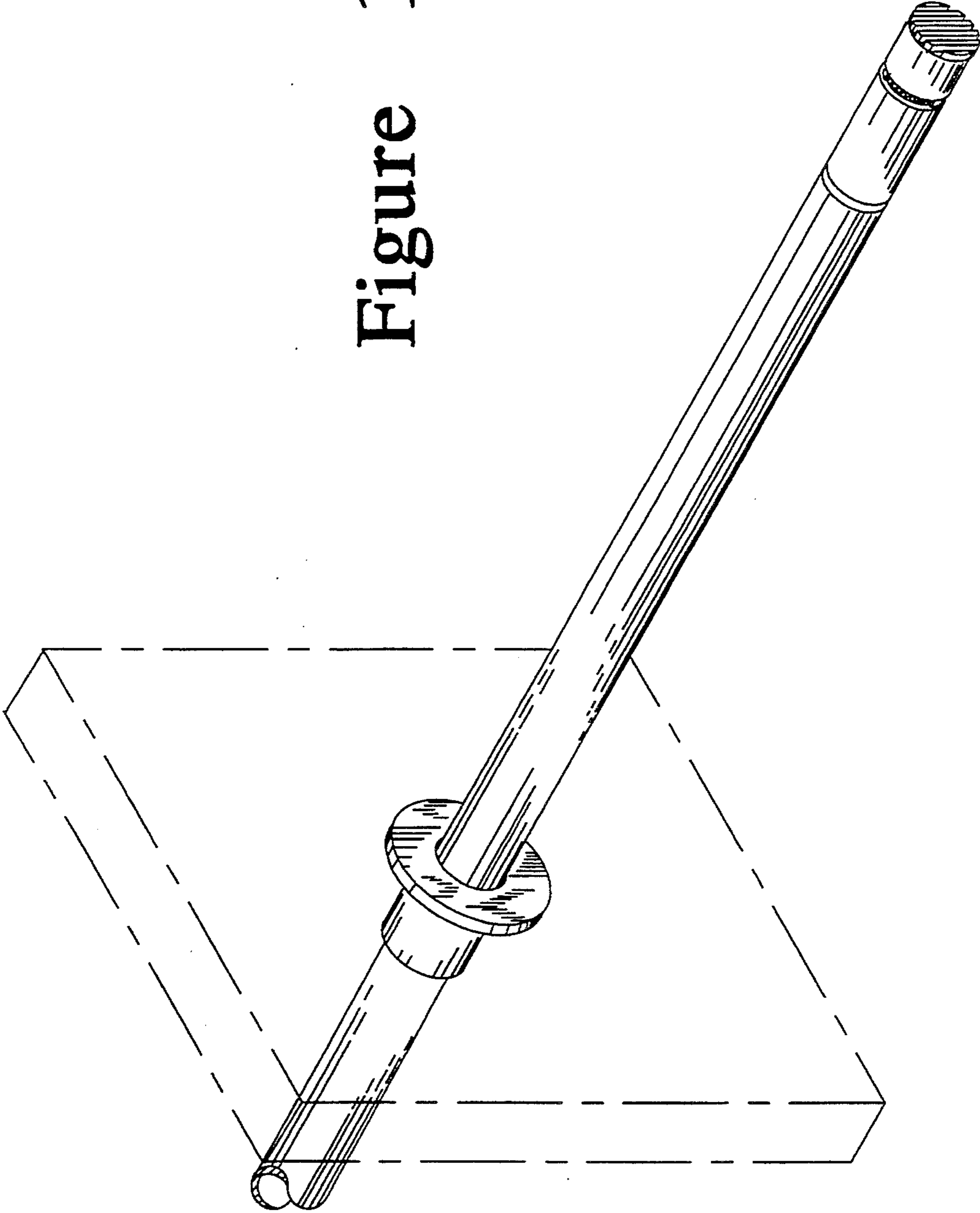


Figure 1



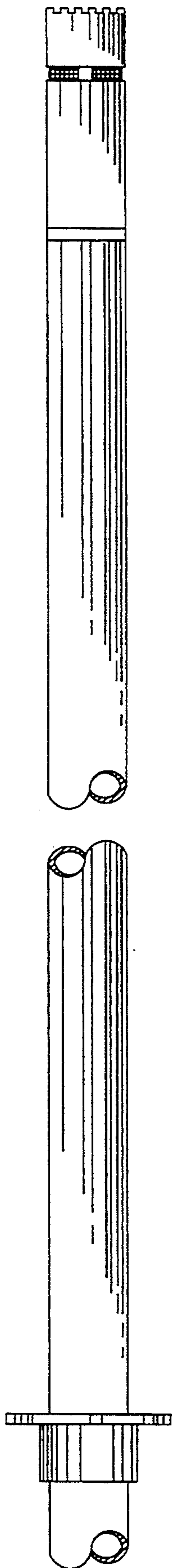


Figure 2

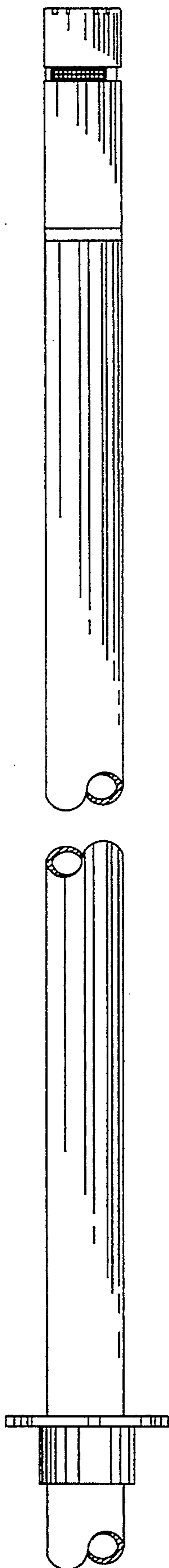


Figure 3

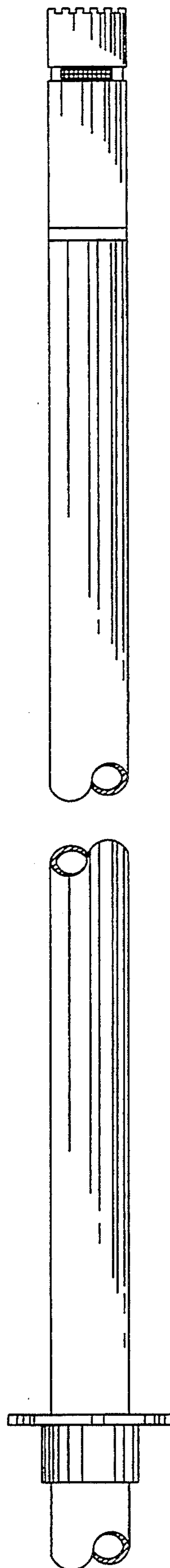


Figure 4

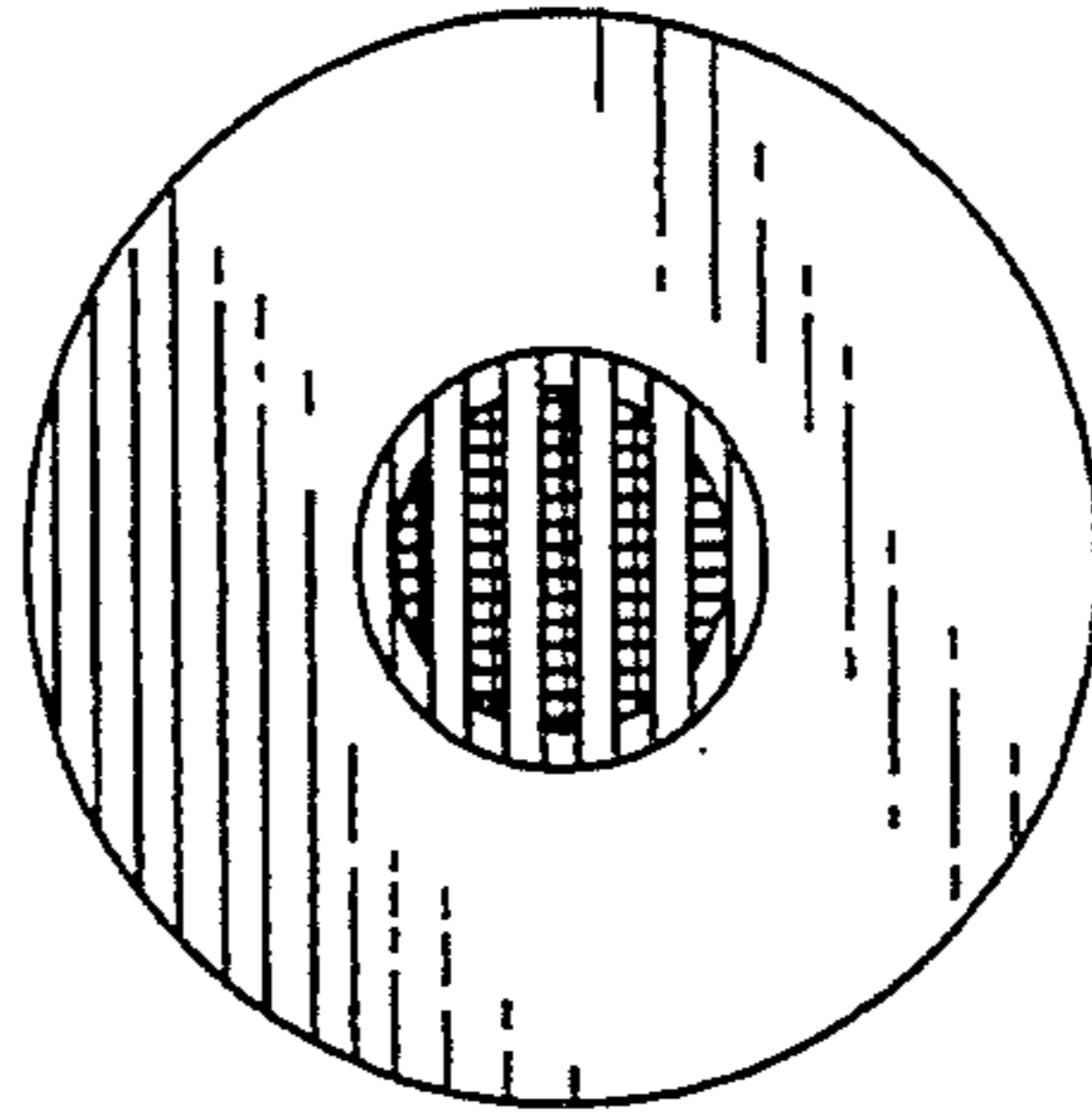


Figure 5

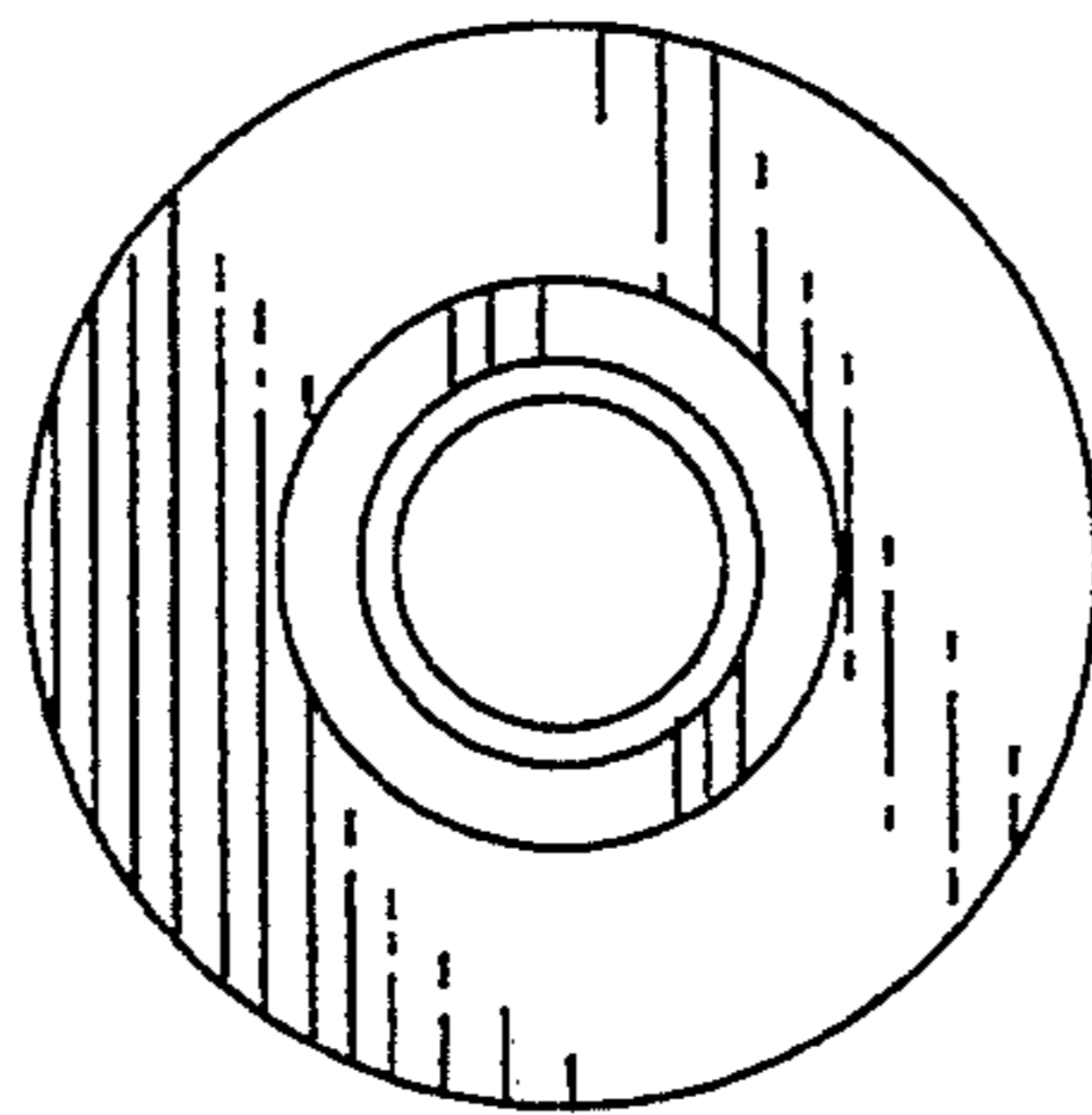


Figure 6