



US00D359046S

United States Patent [19]

[11] Patent Number: **Des. 359,046**

Brandsma

[45] Date of Patent: **** Jun. 6, 1995**

[54] **PAGING RECEIVER**

[56] **References Cited**

[75] Inventor: **Sies K. Brandsma, Eersel, Netherlands**
[73] Assignee: **U.S. Philips Corporation, New York, N.Y.**

U.S. PATENT DOCUMENTS

D. 325,912 5/1992 Sakai et al. D14/191
D. 342,736 12/1993 Scheid et al. D14/191
D. 346,167 4/1994 Hyvonen D14/191
5,307,511 4/1994 Takahashi 455/90
5,365,226 11/1994 Morishima 455/38.3

[**] Term: **14 Years**

Primary Examiner—Theodore M. Shooman
Attorney, Agent, or Firm—Jack E. Haken

[21] Appl. No.: **20,403**

[57] **CLAIM**

The ornamental design for a paging receiver, as shown.

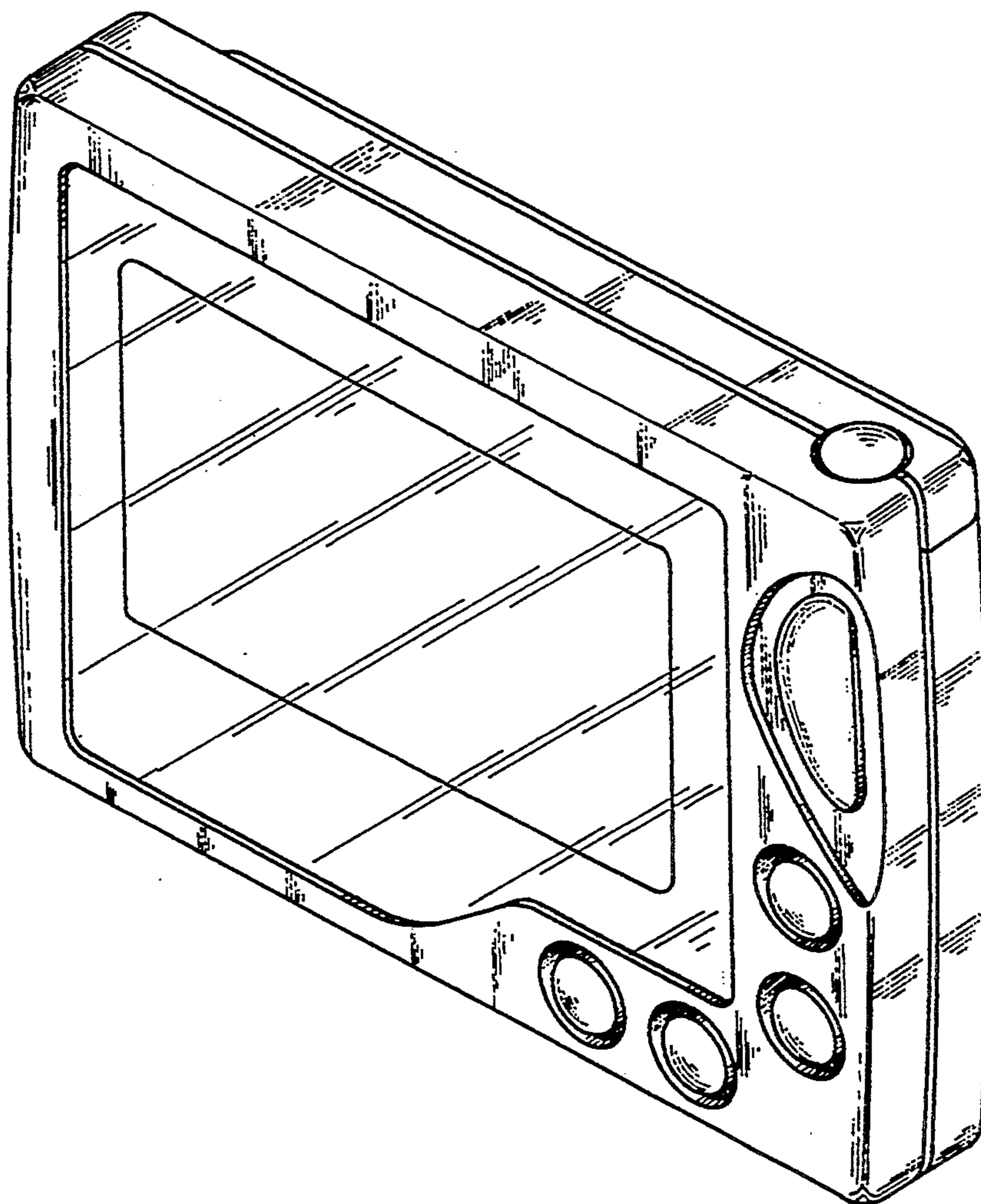
[22] Filed: **Mar. 24, 1994**

DESCRIPTION

[30] **Foreign Application Priority Data**

Oct. 20, 1993 [CH] Switzerland DM/027647
[52] U.S. Cl. **D14/191**
[58] Field of Search D14/124, 191, 192, 299;
340/311.1; 455/38.1-38.4, 90, 92, 100, 343

FIG. 1 is a front, right side, top plan, perspective view showing my new design;
FIG. 2 is a front elevational view thereof;
FIG. 3 is a rear elevational view thereof;
FIG. 4 is a right side elevational view thereof;
FIG. 5 is a left side elevational view thereof;
FIG. 6 is a top plan view thereof; and,
FIG. 7 is a bottom plan view thereof.



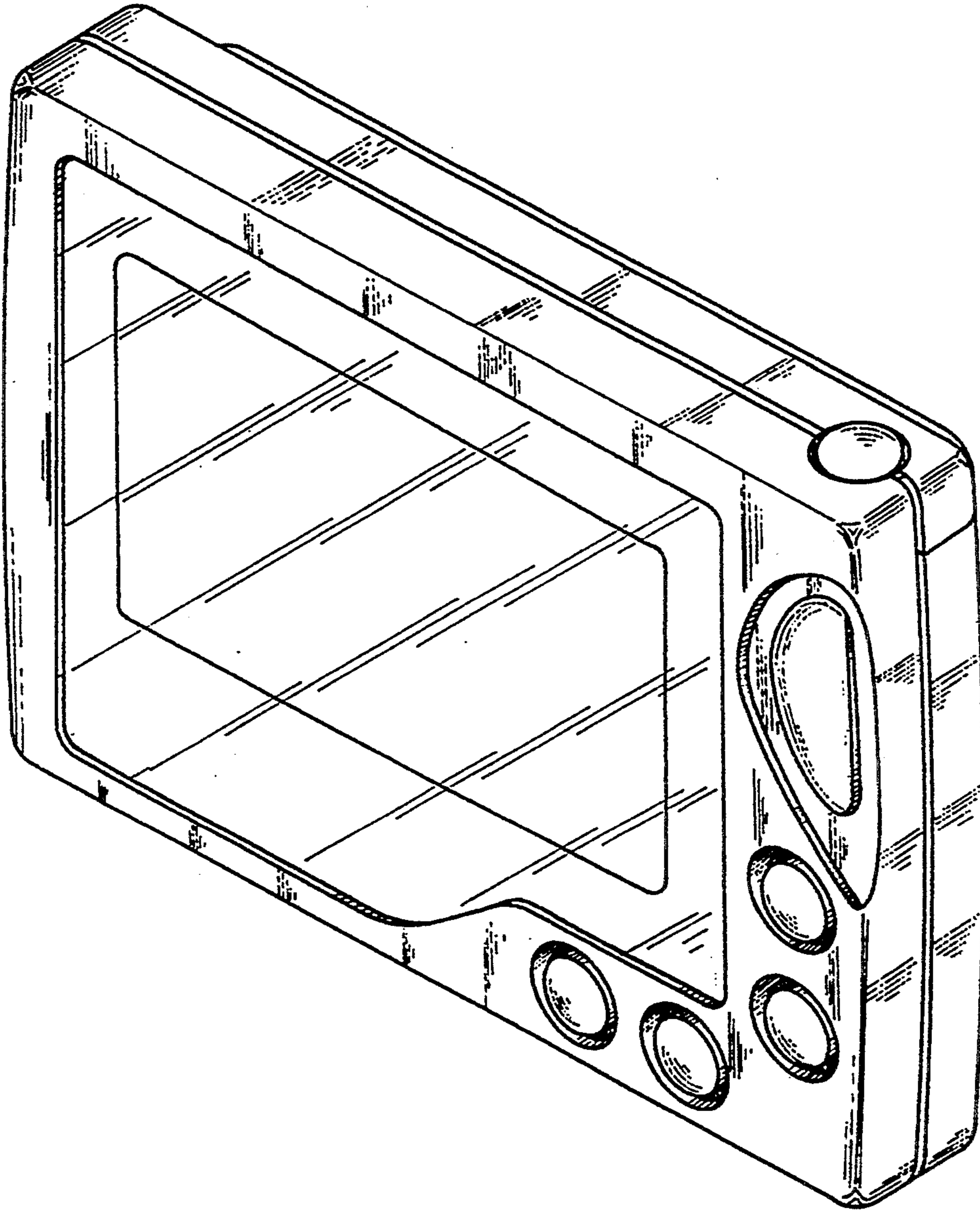


FIG. 1

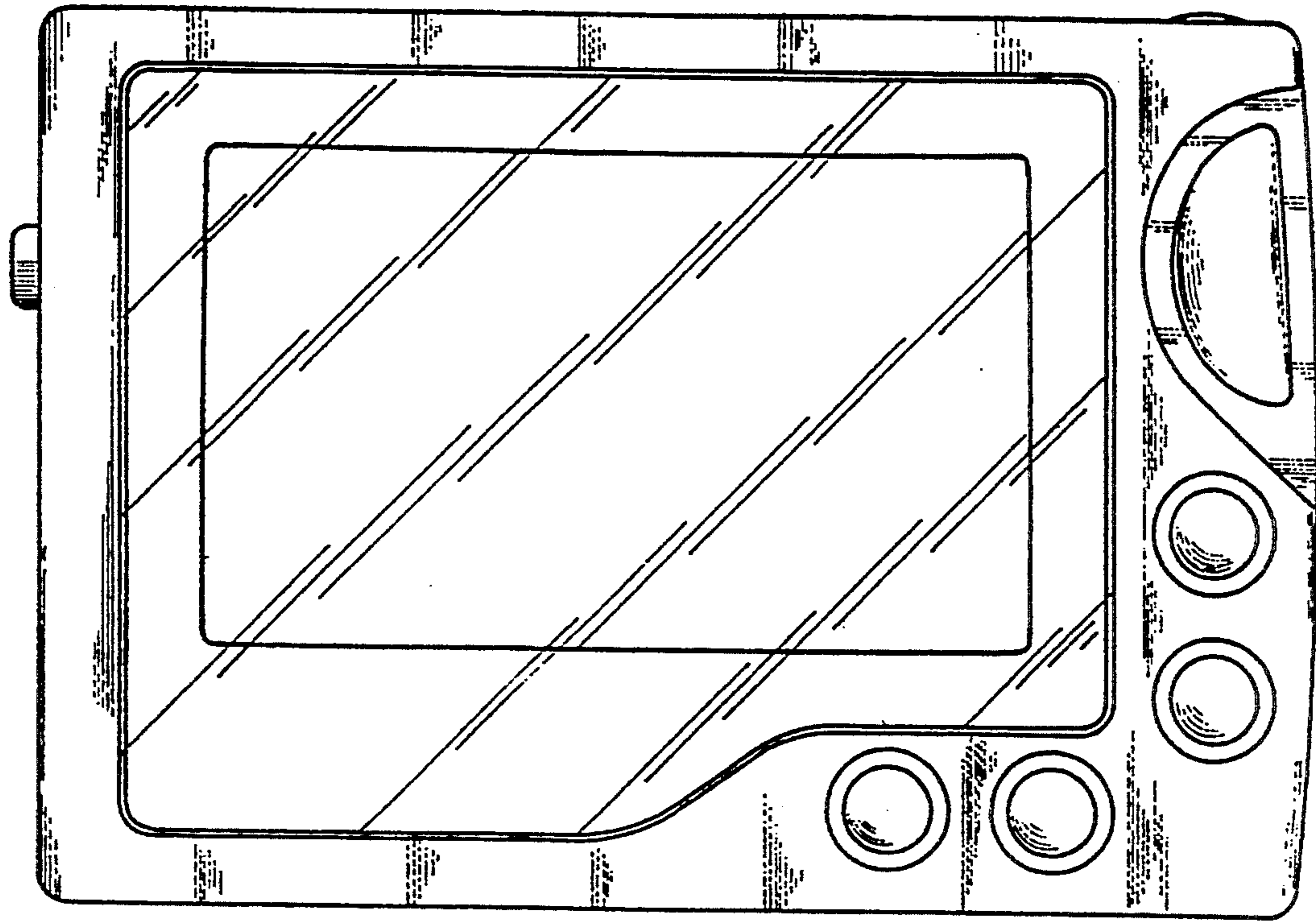


FIG. 2

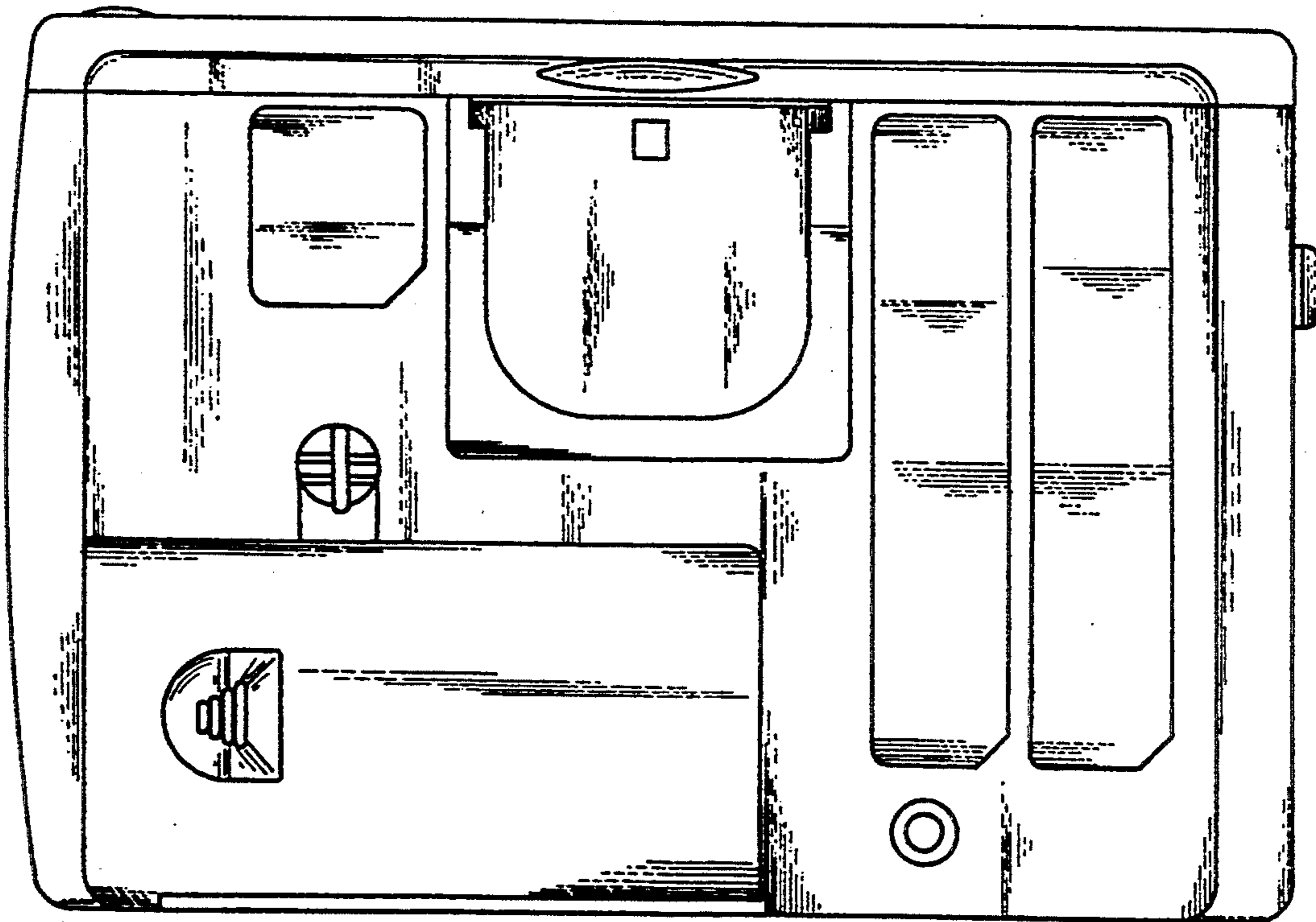


FIG. 3

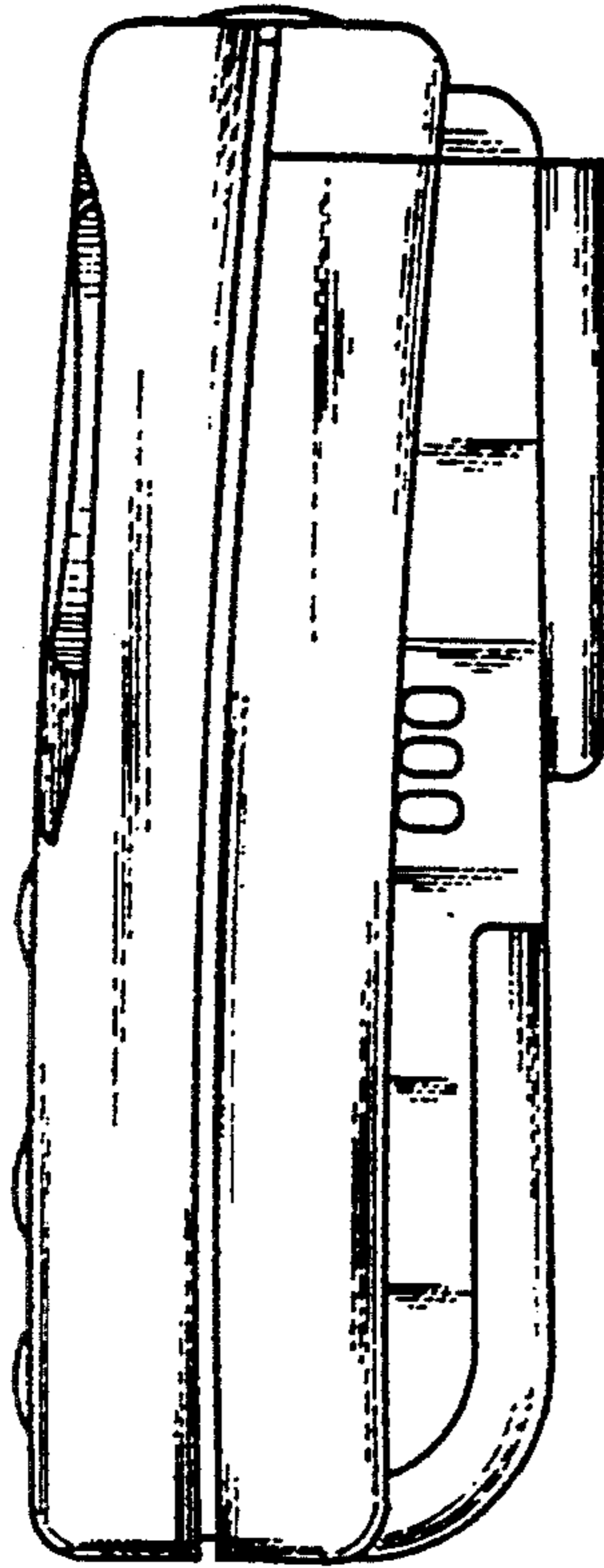


FIG. 4

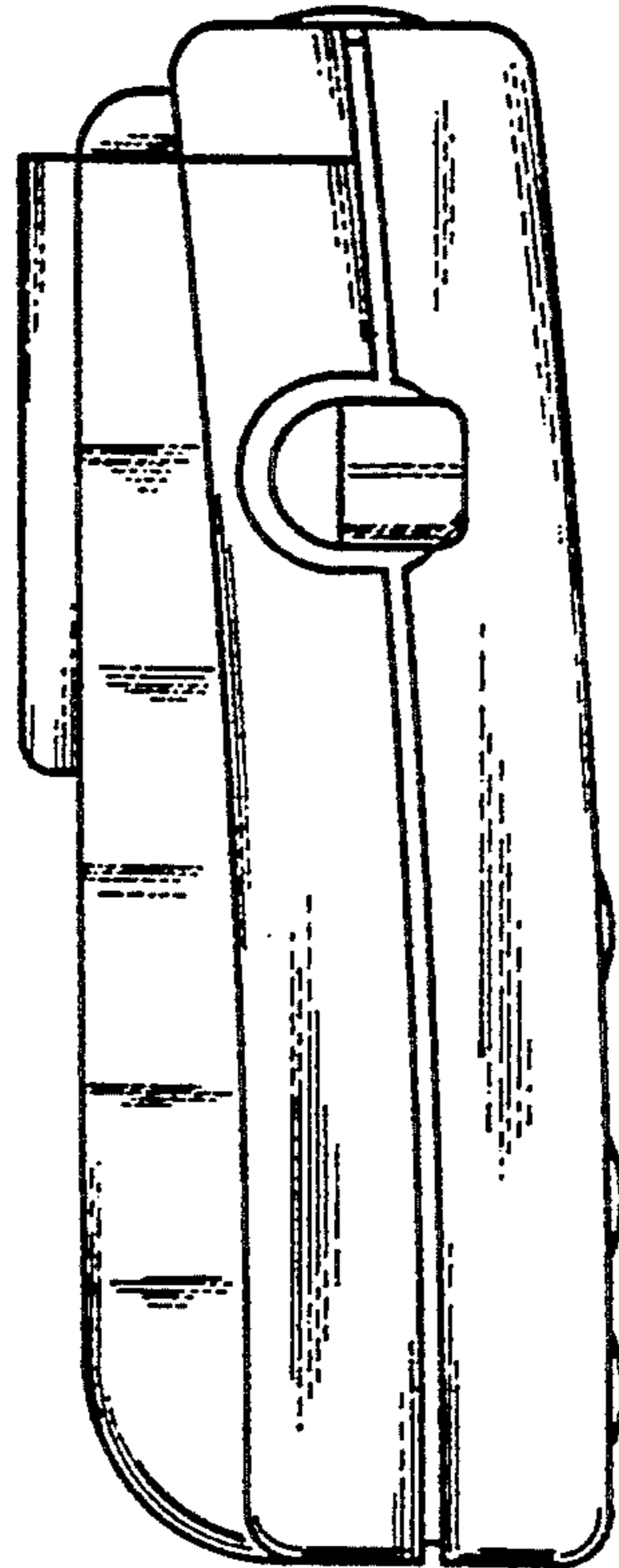


FIG. 5

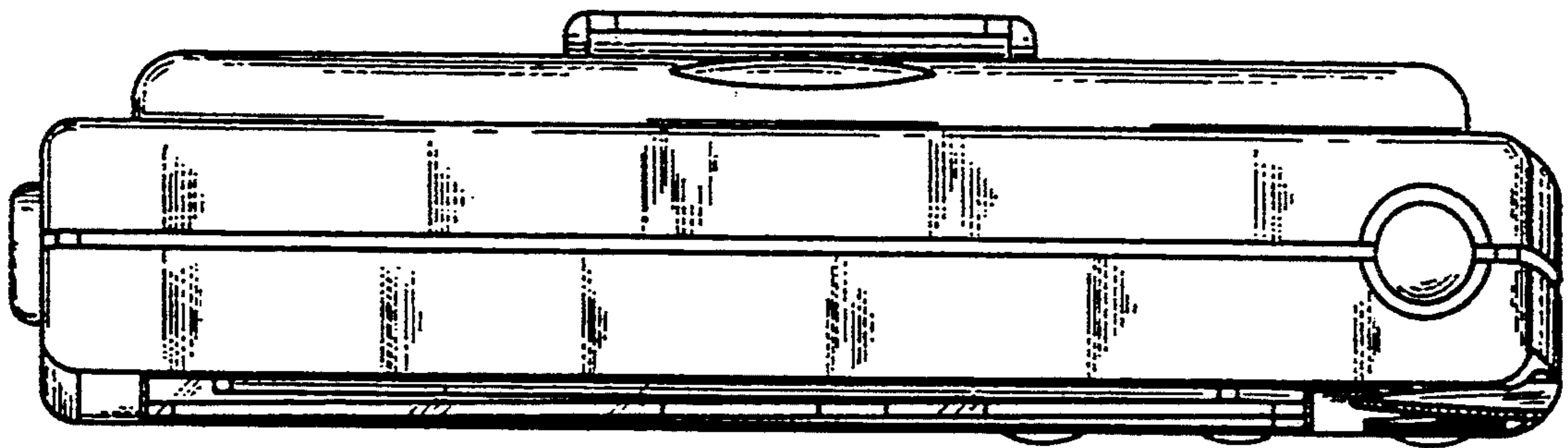


FIG. 6

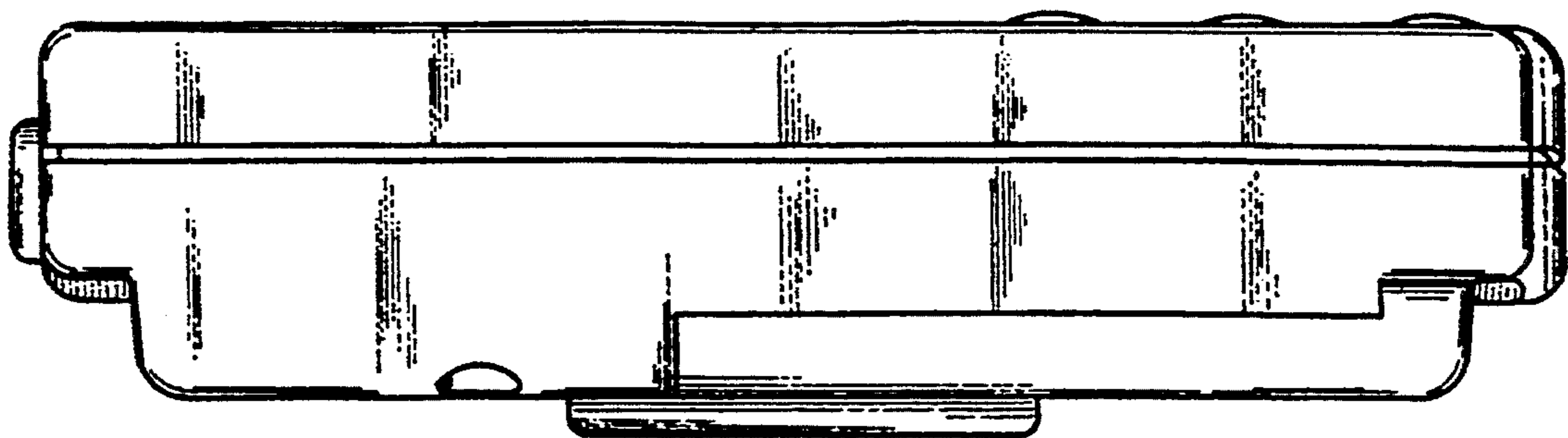


FIG. 7