



US00D359043S

United States Patent [19]

[11] Patent Number: **Des. 359,043**

Althans

[45] Date of Patent: **** Jun. 6, 1995**

[54] **TOP LOADING VIDEO CASSETTE RECORDER (VCR)**

[75] Inventor: **Richard K. Althans, Long Grove, Ill.**

[73] Assignee: **Zenith Electronics Corporation, Glenview, Ill.**

[**] Term: **14 Years**

[21] Appl. No.: **7,384**

[22] Filed: **Apr. 21, 1993**

[52] U.S. Cl. **D14/135**

[58] Field of Search **D14/124, 135, 136, 156, D14/299**

[56] **References Cited**

U.S. PATENT DOCUMENTS

- D. 304,942 12/1989 Kataoka D14/156
- D. 327,676 7/1992 Yang D14/135
- D. 338,198 8/1993 Ogasawara D14/136
- D. 348,264 6/1994 Byun D14/135

OTHER PUBLICATIONS

Video Review, Aug. 1989, p. 28, bottom right—Hitachi V-LC50U VHS HI-FI Laptop.

Primary Examiner—Theodore M. Shooman
Attorney, Agent, or Firm—Roland W. Norris

[57] **CLAIM**

The ornamental design for a top loading video cassette recorder, as shown and described.

DESCRIPTION

FIG. 1 is a top, front and right side perspective view of a top loading video cassette recorder showing my new design;

FIG. 2 is a top plan view thereof;

FIG. 3 is a front elevational view thereof;

FIG. 4 is an inverted left side elevational view thereof;

FIG. 5 is a right side elevational view thereof, shown with the cassette load door open;

FIG. 6 is a rear elevational view thereof; and,

FIG. 7 is a bottom plan view thereof.

The broken line showings of the control buttons in FIGS. 1 and 3 and the jacks in FIG. 6 are for illustrative purposes only and form no part of the claimed design.

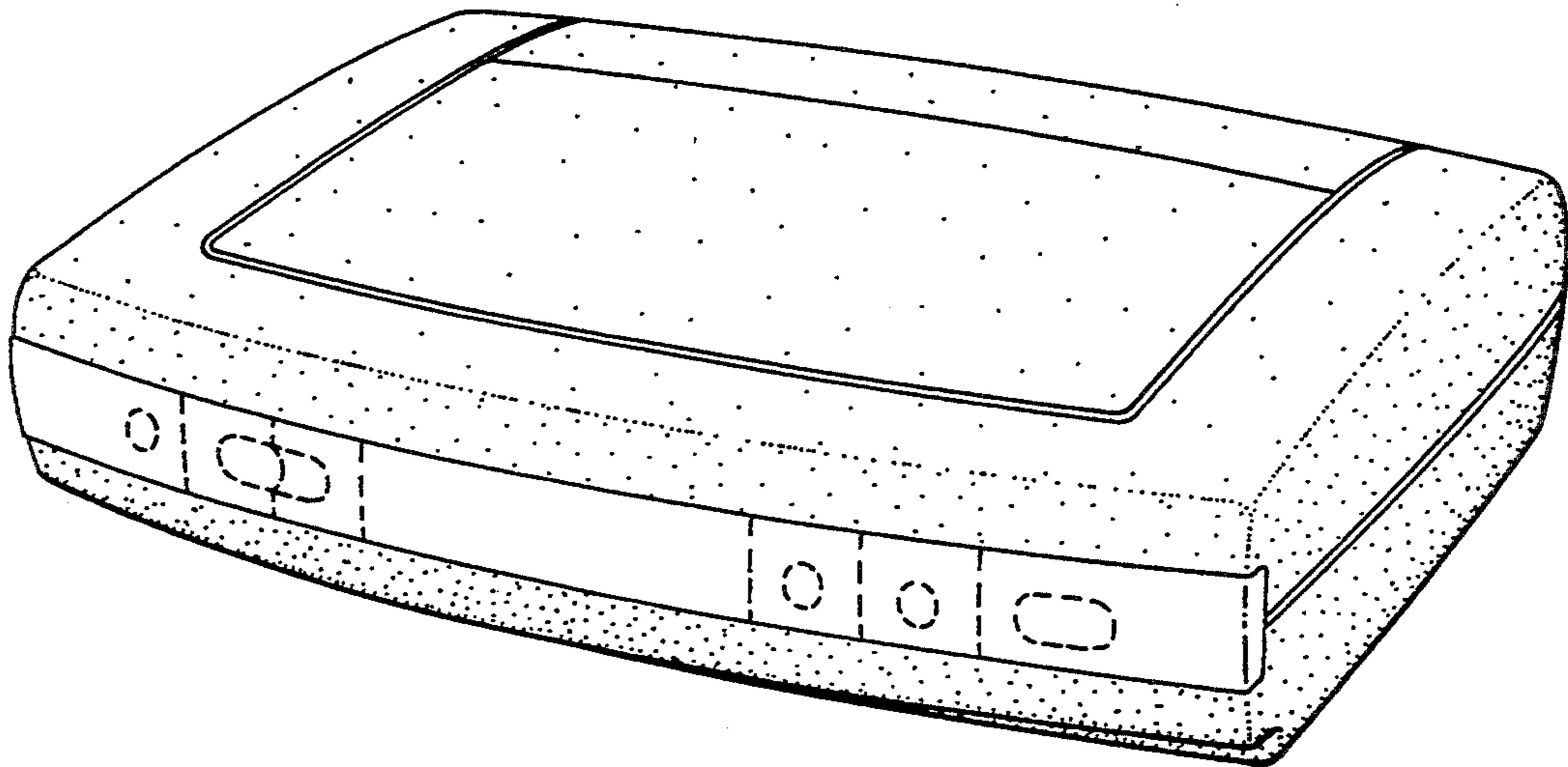


FIG 1

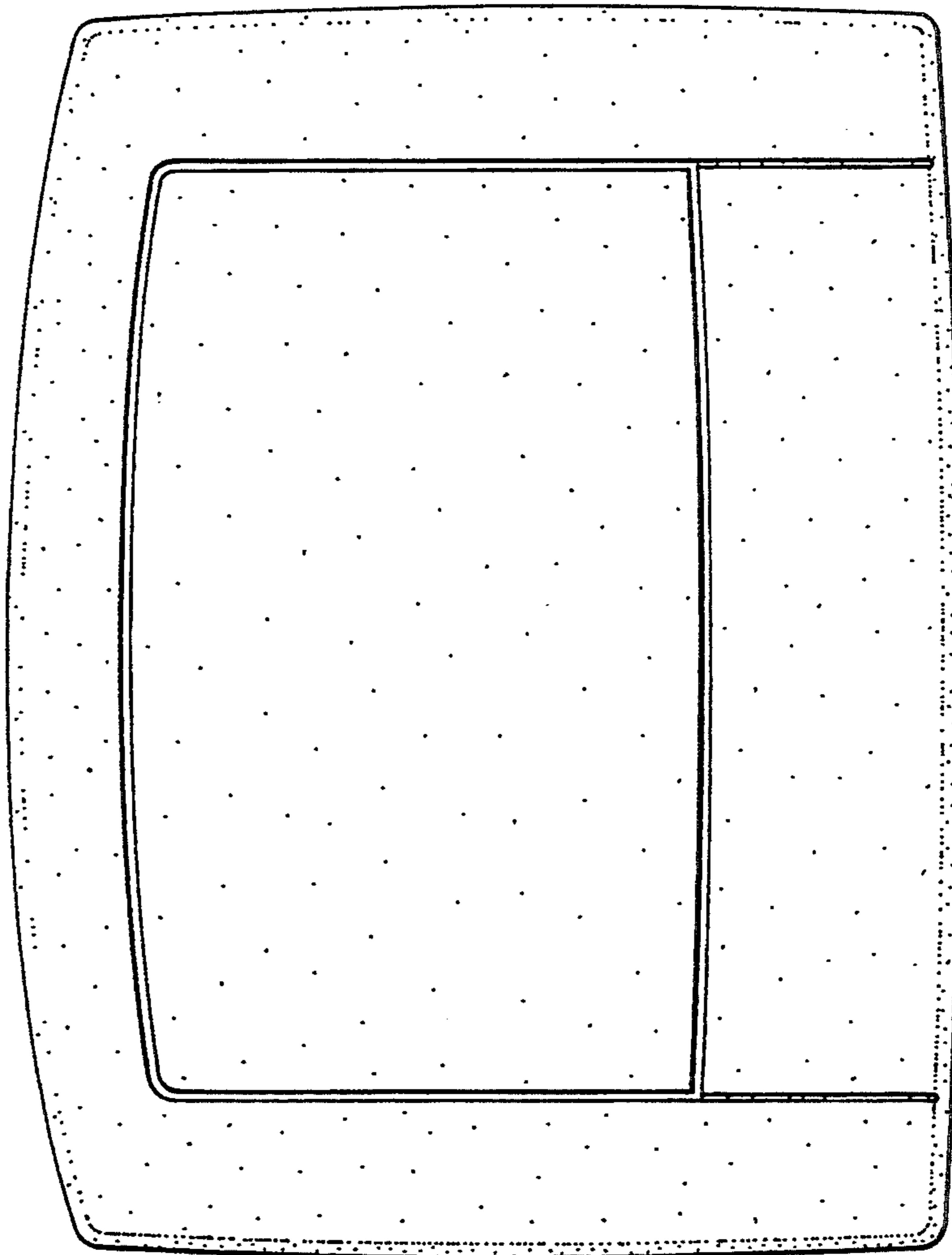
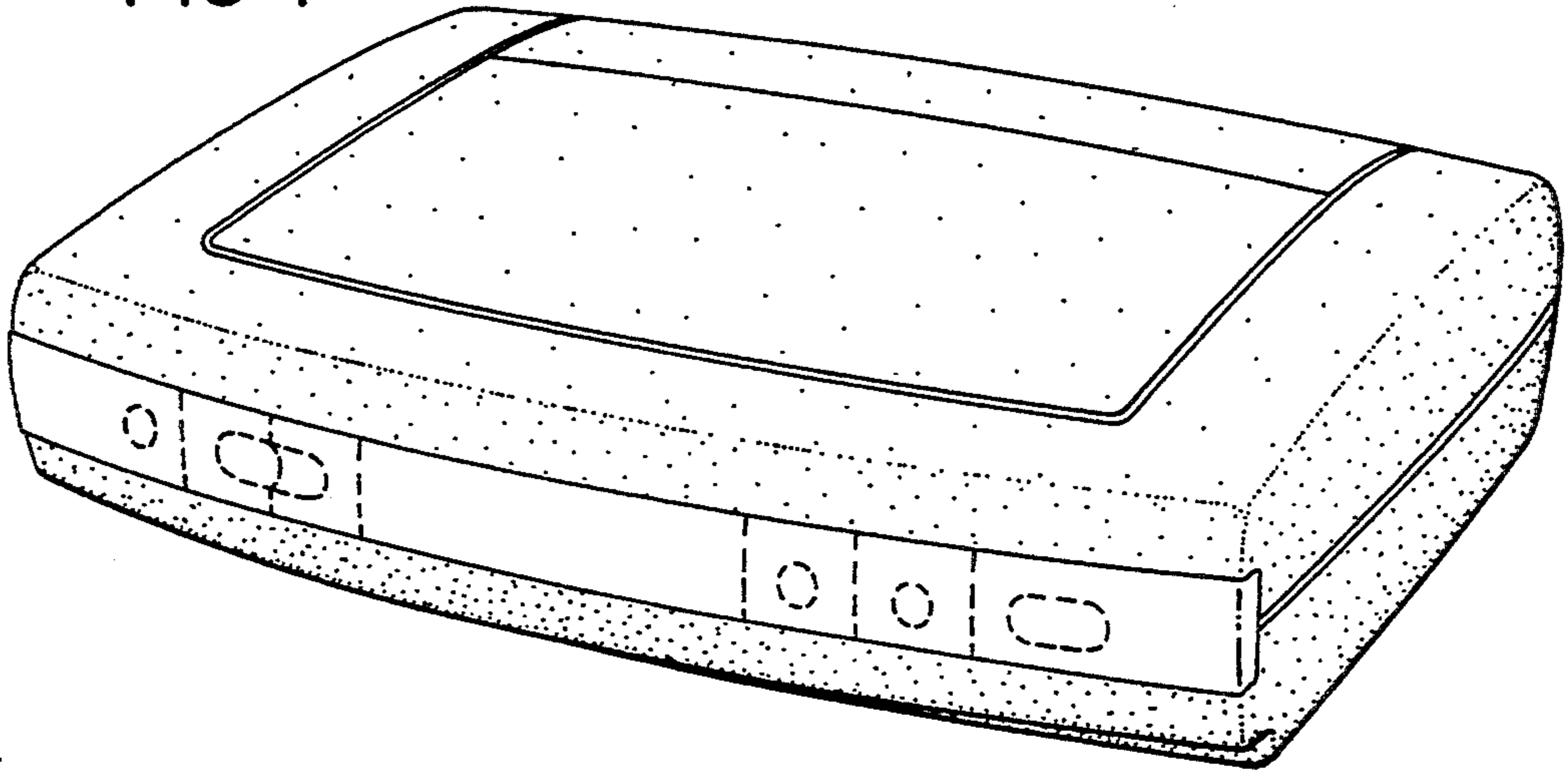


FIG 2

FIG 3

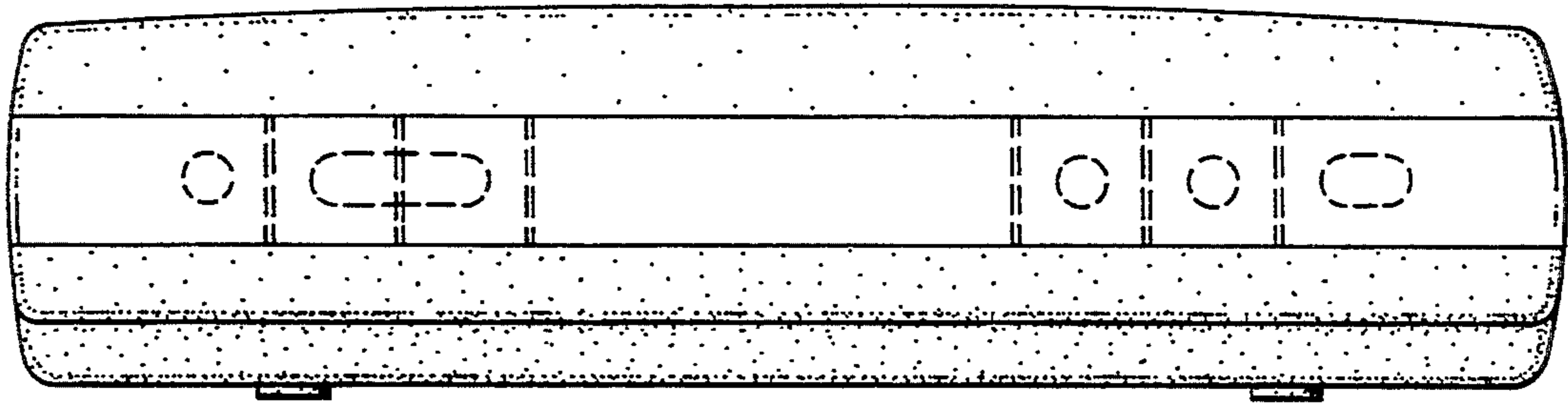


FIG 4

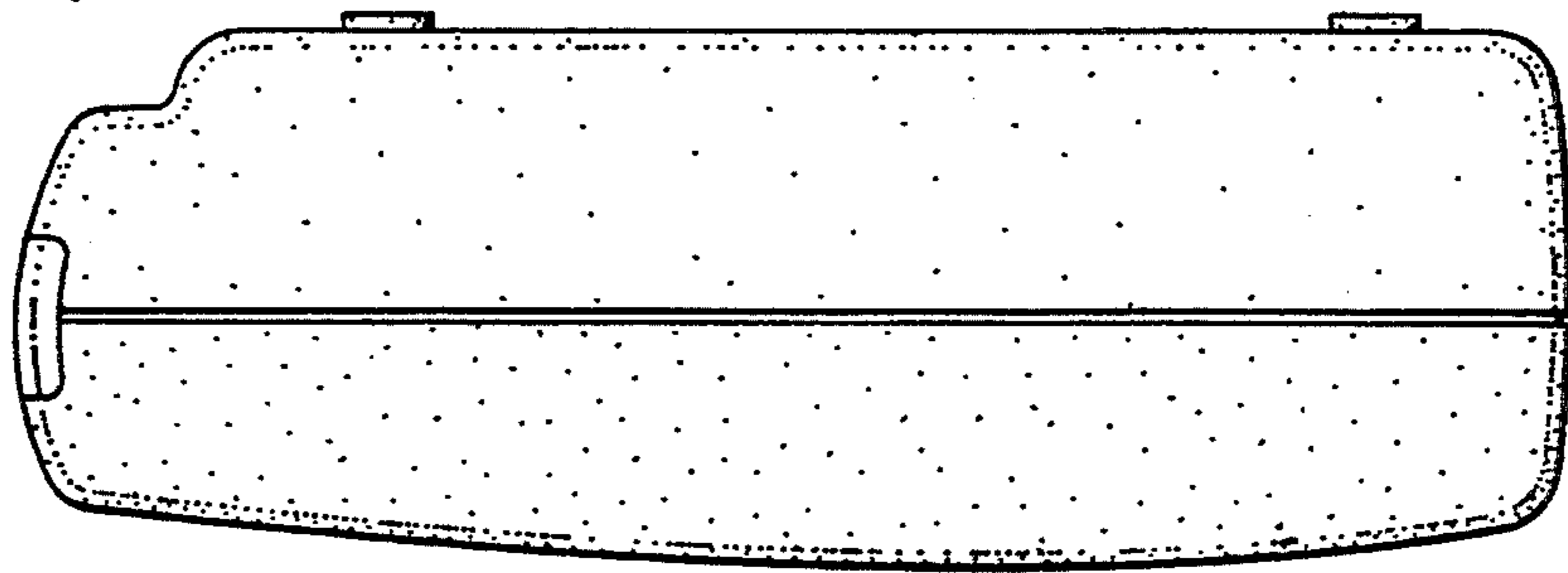


FIG 5

FIG 6

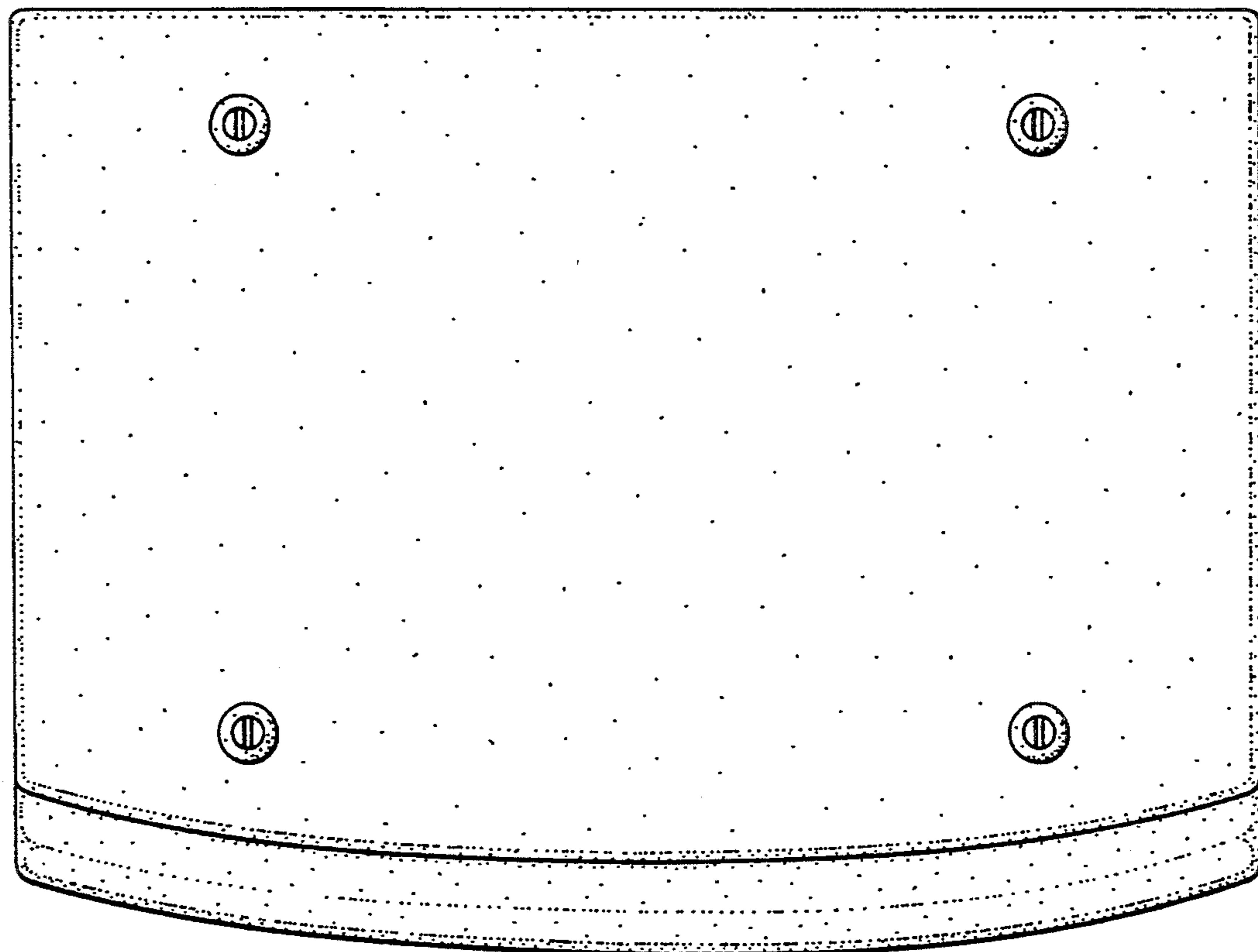
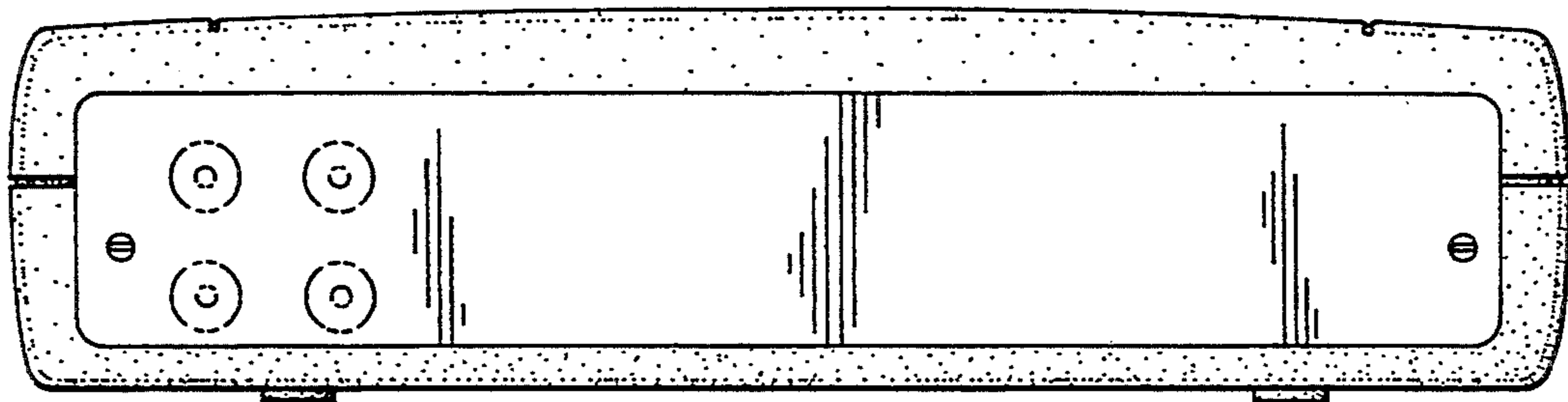


FIG 7