



US00D359041S

# United States Patent [19]

[11] Patent Number: Des. 359,041

Aghachi et al.

[45] Date of Patent: \*\* Jun. 6, 1995

[54] **CLEANING CARTRIDGE FOR COMPUTER VIDEO GAME**

*Primary Examiner*—Theodore M. Shooman  
*Attorney, Agent, or Firm*—Boniard I. Brown

[75] Inventors: **Abraham Aghachi**, 11724 Santa Monica Blvd., W. Los Angeles, Calif. 90024; **Vincent A. Palmieri**, San Bernardino, Calif.

[57] **CLAIM**

The ornamental design for a cleaning cartridge for computer video game, as shown and described.

[73] Assignee: **Abraham Aghachi**, West Los Angeles, Calif.

**DESCRIPTION**

[\*\*] Term: **14 Years**

FIG. 1 is a perspective view of a cleaning cartridge for computer video game, showing our new design;

[21] Appl. No.: **25,082**

FIG. 2 is a top plan view thereof;

[22] Filed: **Jun. 27, 1994**

FIG. 3 is a side elevational view thereof;

**Related U.S. Application Data**

FIG. 4 is a bottom view thereof;

[62] Division of Ser. No. 656,622, Feb. 19, 1991, Pat. No. Des. 348,261.

FIG. 5 is a side elevational view of the side opposite that of FIG. 3;

[52] U.S. Cl. .... **D14/121; D14/114**

FIG. 6 is a rear view thereof;

[58] Field of Search ..... **D14/114, 120-122, D14/299; 242/55.19 A, 197-200; 273/DIG. 28, 85.6**

FIG. 7 is a front view thereof;

FIG. 8 is a perspective view of a cleaning cartridge for computer video game, showing a modified form thereof;

[56] **References Cited**

**U.S. PATENT DOCUMENTS**

D. 274,905	7/1984	Rainey et al. ....	D14/121
D. 280,413	9/1985	Grimes .....	D14/114
D. 315,903	4/1991	Nakauma .....	D14/121
D. 340,047	10/1993	Tseng .....	D14/121
D. 350,051	9/1994	Tseng .....	D14/121

FIG. 9 is a top plan view of the modified design of FIG. 8;

FIG. 10 is a side elevational view of the modified design of FIG. 8;

FIG. 11 is a bottom view of the modified design of FIG. 8

FIG. 12 is a side elevational view of the modified design of FIG. 8 of the side opposite that of FIG. 10;

FIG. 13 is a rear view of the modified design of FIG. 8; and,

FIG. 14 is a front view of the modified design of FIG. 8.

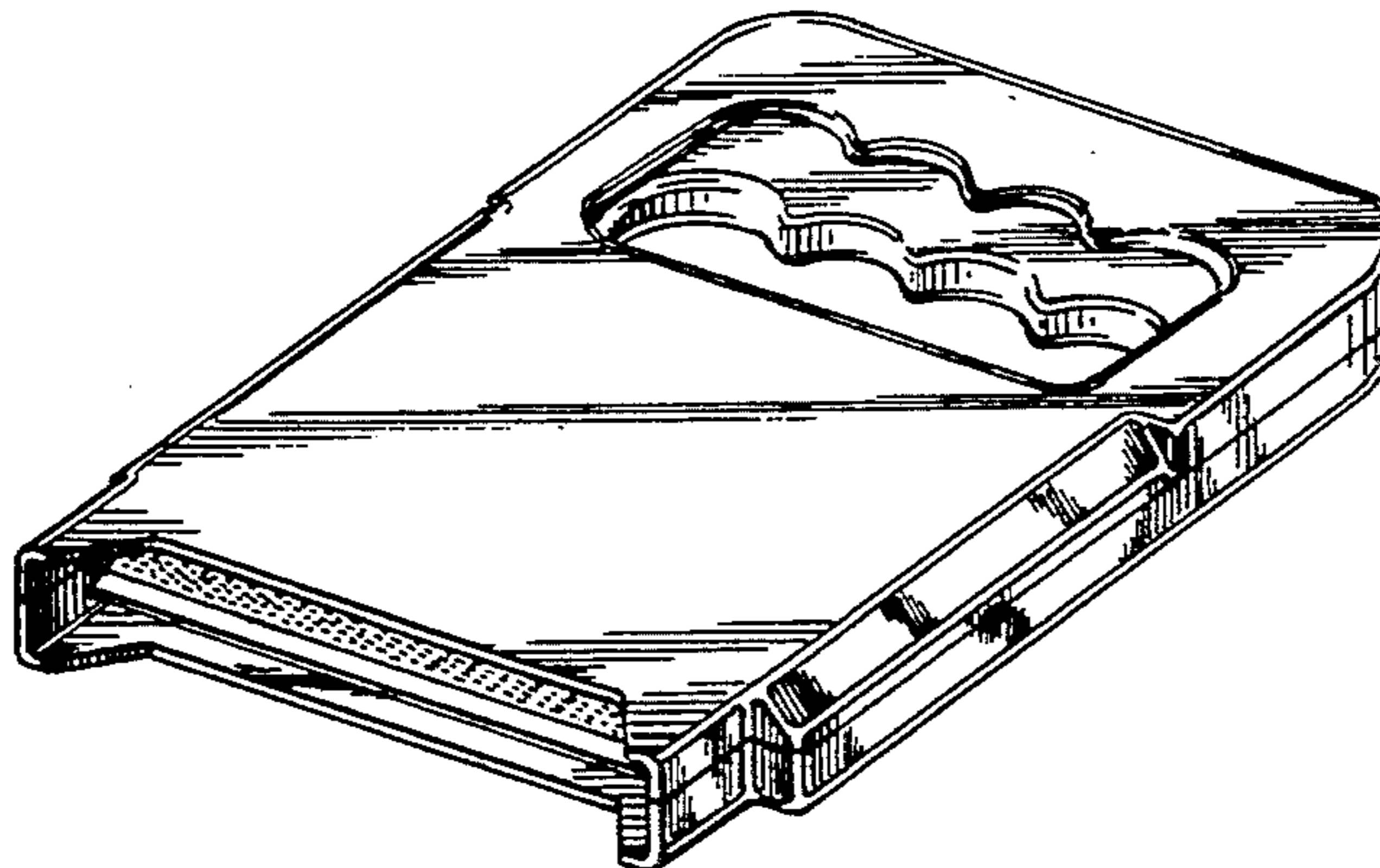
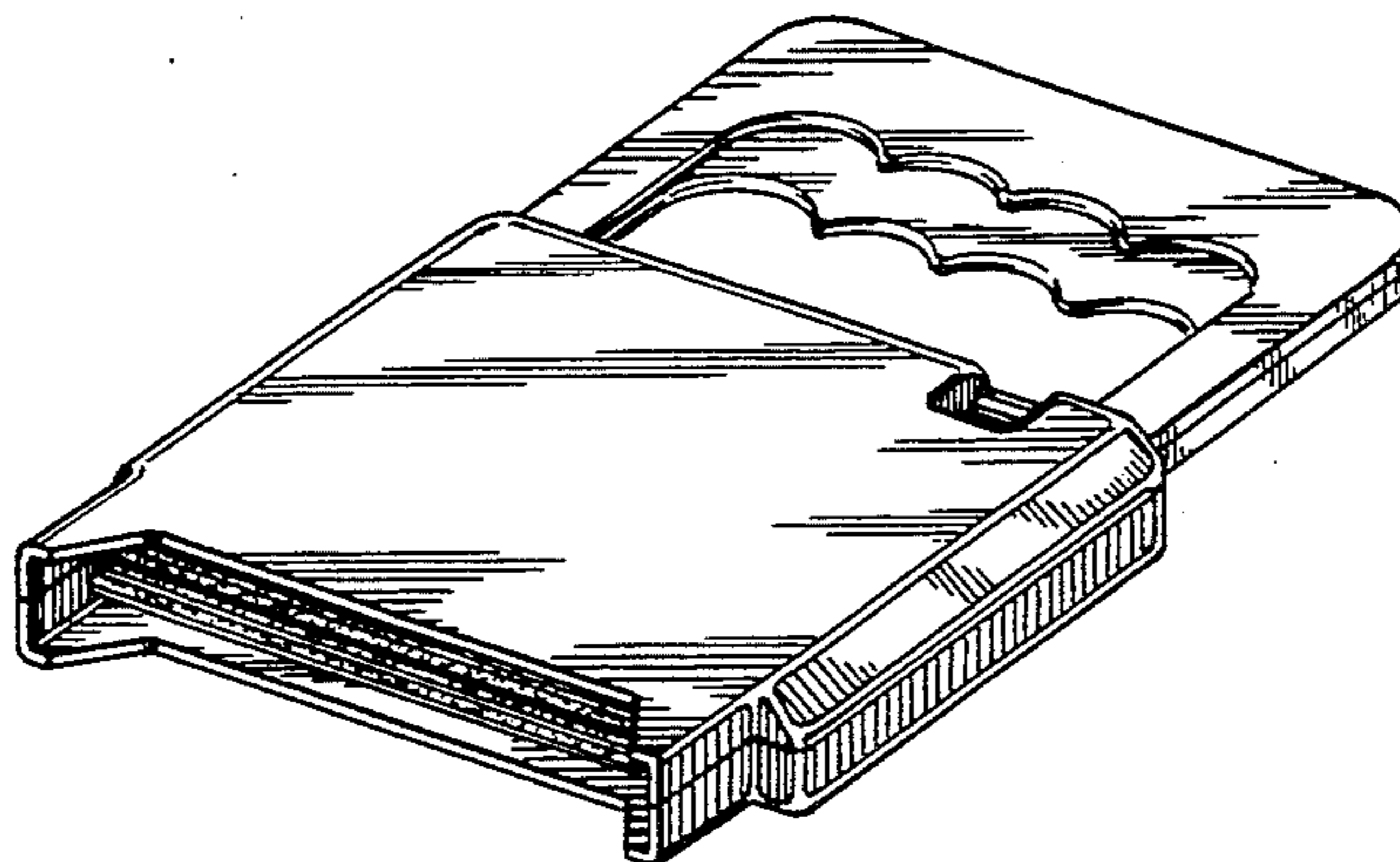


FIG.—1

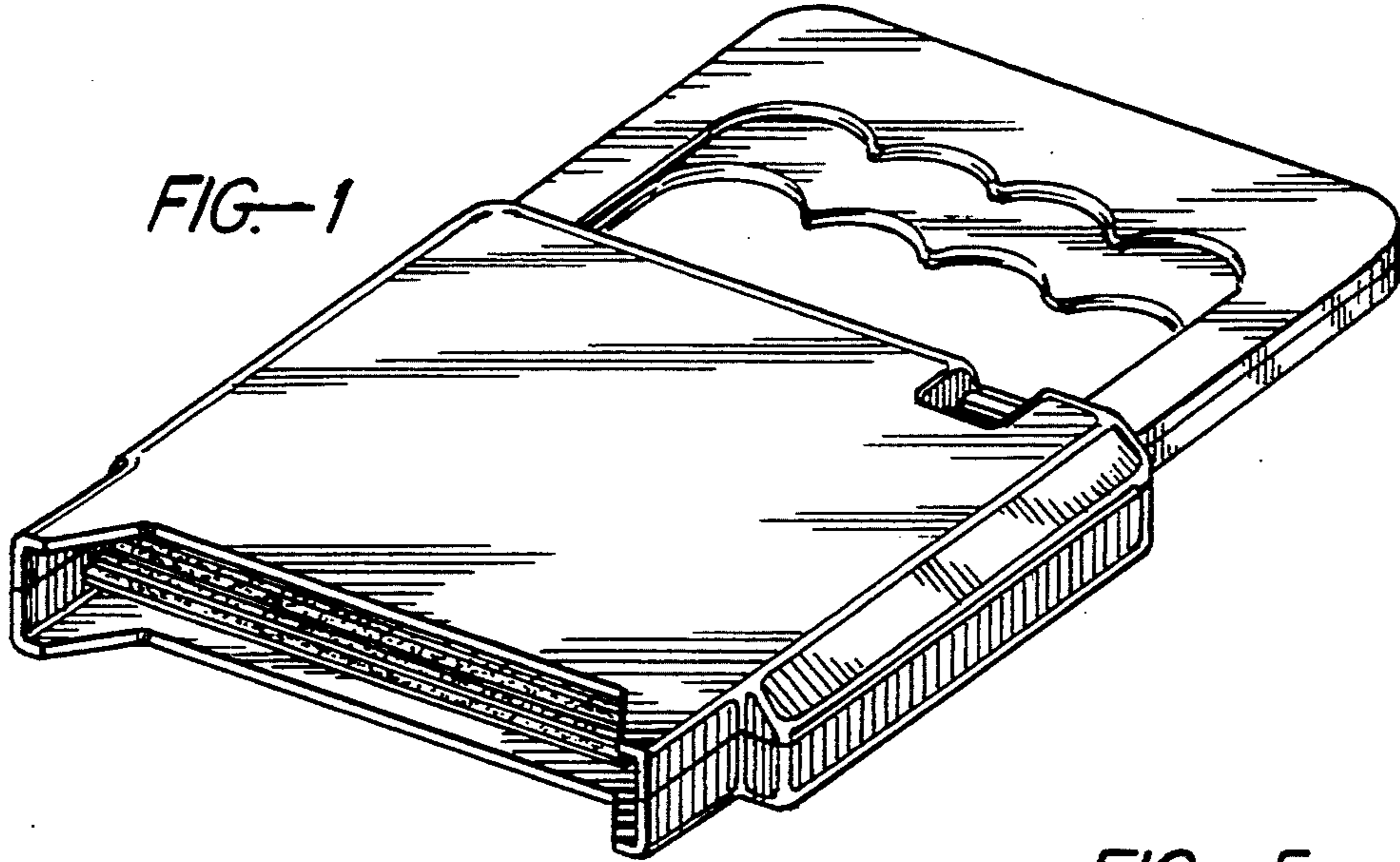


FIG.—2

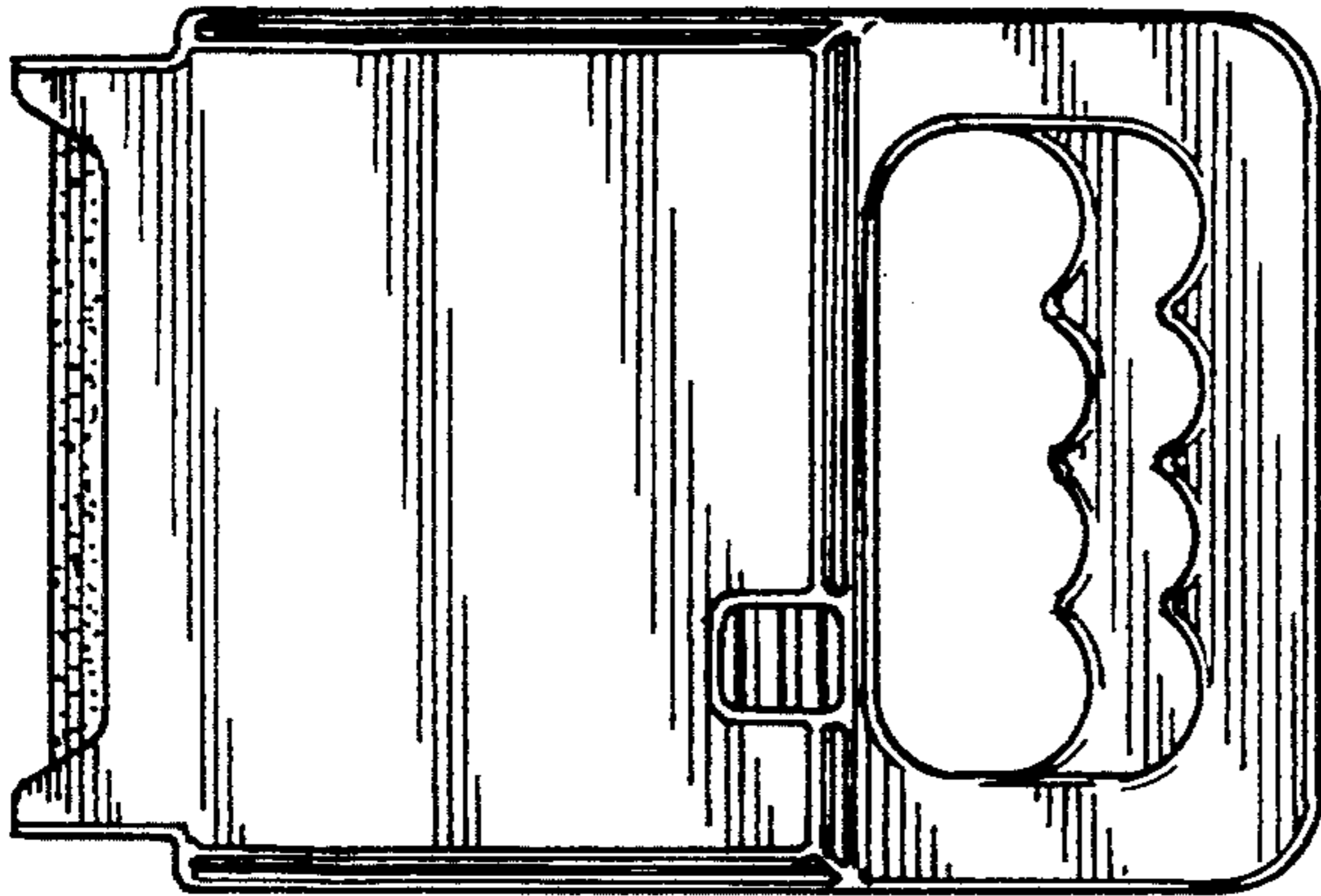


FIG.—5



FIG.—6

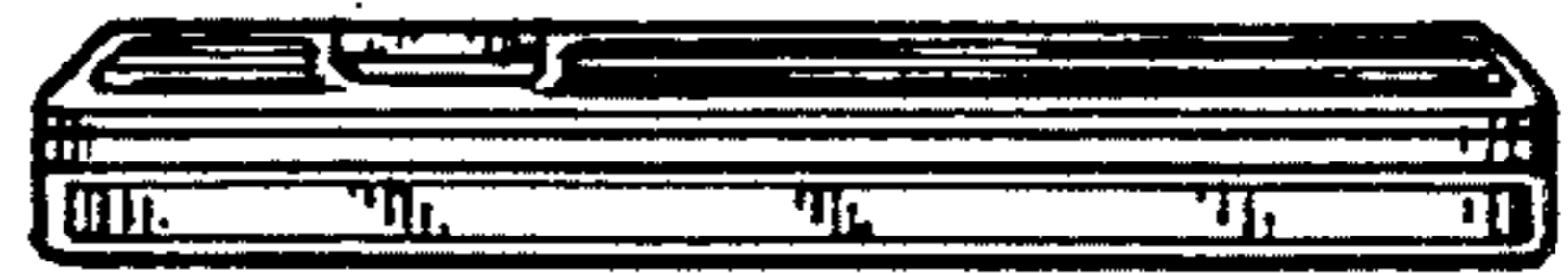


FIG.—3



FIG.—4

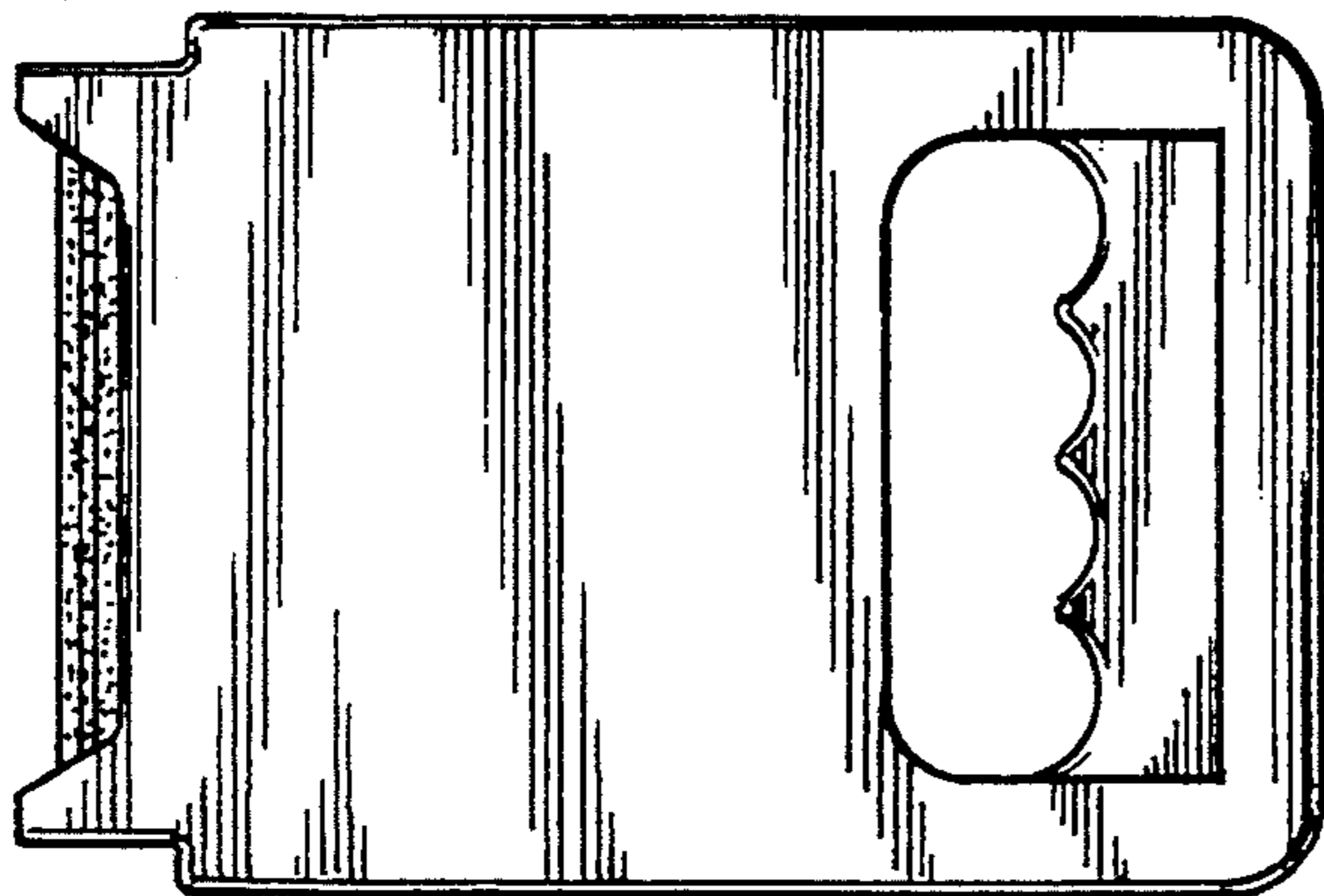


FIG.—7



