



US00D359034S

United States Patent [19]

[11] Patent Number: **Des. 359,034**

Kondo

[45] Date of Patent: **** Jun. 6, 1995**

[54] **UNIT FOR EXTENDING THE FUNCTION OF AN ELECTRONIC COMPUTER**

[75] Inventor: **Osamu Kondo**, Tokyo, Japan

[73] Assignee: **Kabushiki Kaisha Toshiba**, Kanagawa, Japan

[**] Term: **14 Years**

[21] Appl. No.: **17,408**

[22] Filed: **Jan. 12, 1994**

[30] **Foreign Application Priority Data**

Aug. 11, 1993 [JP]	Japan	5-24459
[52] U.S. Cl.		D14/107
[58] Field of Search	D14/100, 107, 114;	
	D13/184, 199; 361/683-686, 680, 681;	
	364/708.1; 439/95, 284, 357, 372	

[56] **References Cited**

U.S. PATENT DOCUMENTS

D. 306,013	2/1990	Kato et al.	D14/100
D. 318,466	7/1991	Grundstrom et al.	D14/114
D. 331,920	12/1992	Iino	D14/107
D. 342,060	12/1993	Iino	D14/107
D. 342,487	12/1993	Iino	D14/107
4,788,658	11/1988	Hanebuth	361/680 X
4,926,365	5/1990	Hsieh	361/681 X
5,159,533	10/1992	Kuang	361/391
5,182,698	1/1993	Kobayashi et al.	361/395
5,182,699	1/1993	Kobayashi et al.	361/683
5,283,714	2/1994	Tsai et al.	361/683

FOREIGN PATENT DOCUMENTS

740409	8/1988	Japan .
791802	7/1990	Japan .
791816	7/1990	Japan .
115873	7/1990	Rep. of Korea .
107481	10/1990	Rep. of Korea .
127189	1/1990	Taiwan, Prov. of China .
134452	5/1990	Taiwan, Prov. of China .
3005641S	5/1990	Taiwan, Prov. of China .

OTHER PUBLICATIONS

Sony catalog, Sep. 1991.
Catalog "M6024", Oct. 1990.
Sony Catalog "PCY-350 NR", May 15, 1991.
Catalog "Compaq", Jul. 17, 1991.

Primary Examiner—Freda S. Nunn
Attorney, Agent, or Firm—Banner, Birch, McKie & Beckett

[57] **CLAIM**

The ornamental design for a unit for extending the functions of an electronic computer, as shown and described.

DESCRIPTION

FIG. 1 is a top, front and right side perspective view of a unit for extending the functions of an electronic computer showing my new design.
FIG. 2 is a front elevational view thereof on an enlarged scale;
FIG. 3 is a top plan view thereof;
FIG. 4 is a left side elevational view thereof;
FIG. 5 is a right side elevational view thereof;
FIG. 6 is a rear elevational view thereof; and,
FIG. 7 is a bottom plan view thereof.

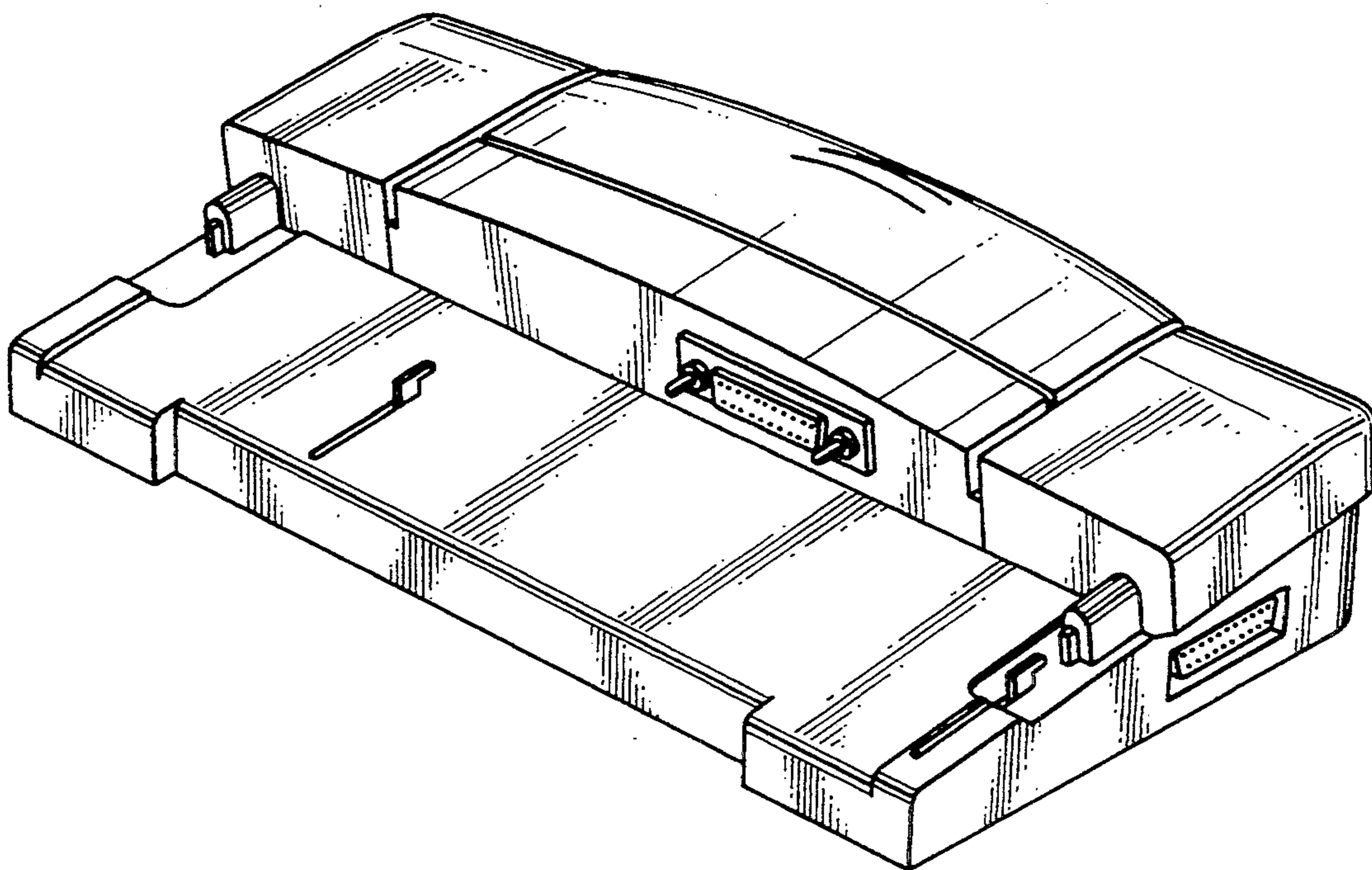


FIG. 1

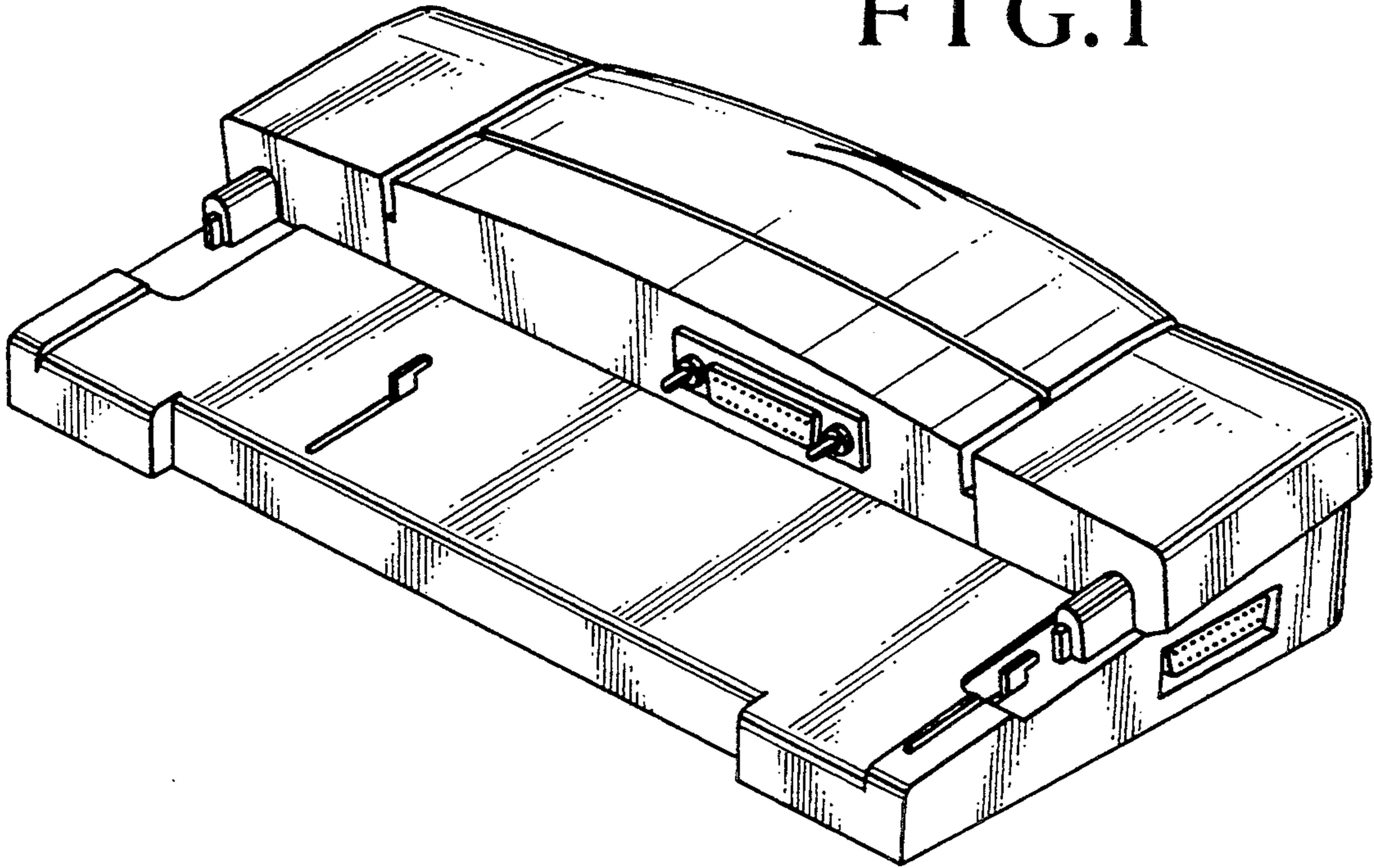


FIG. 2

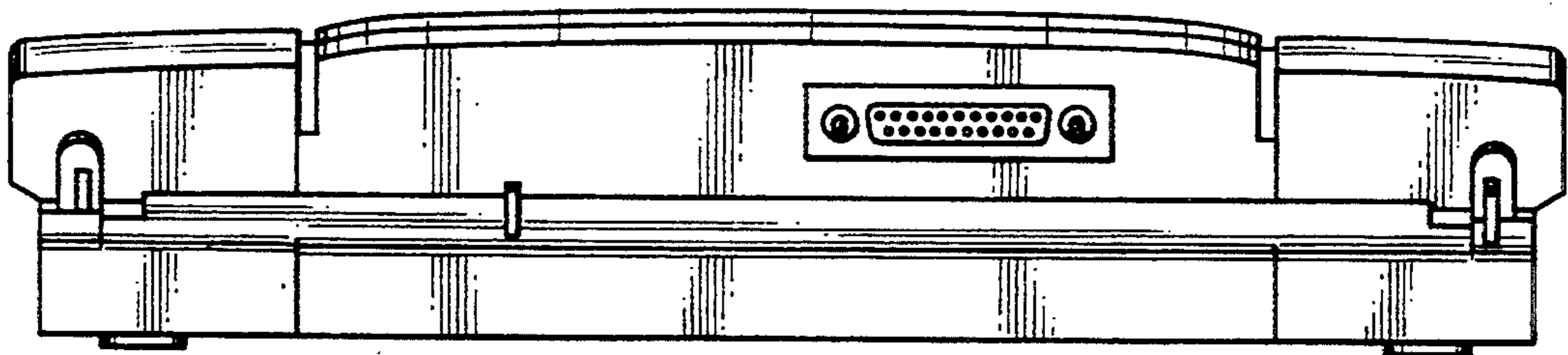


FIG. 3

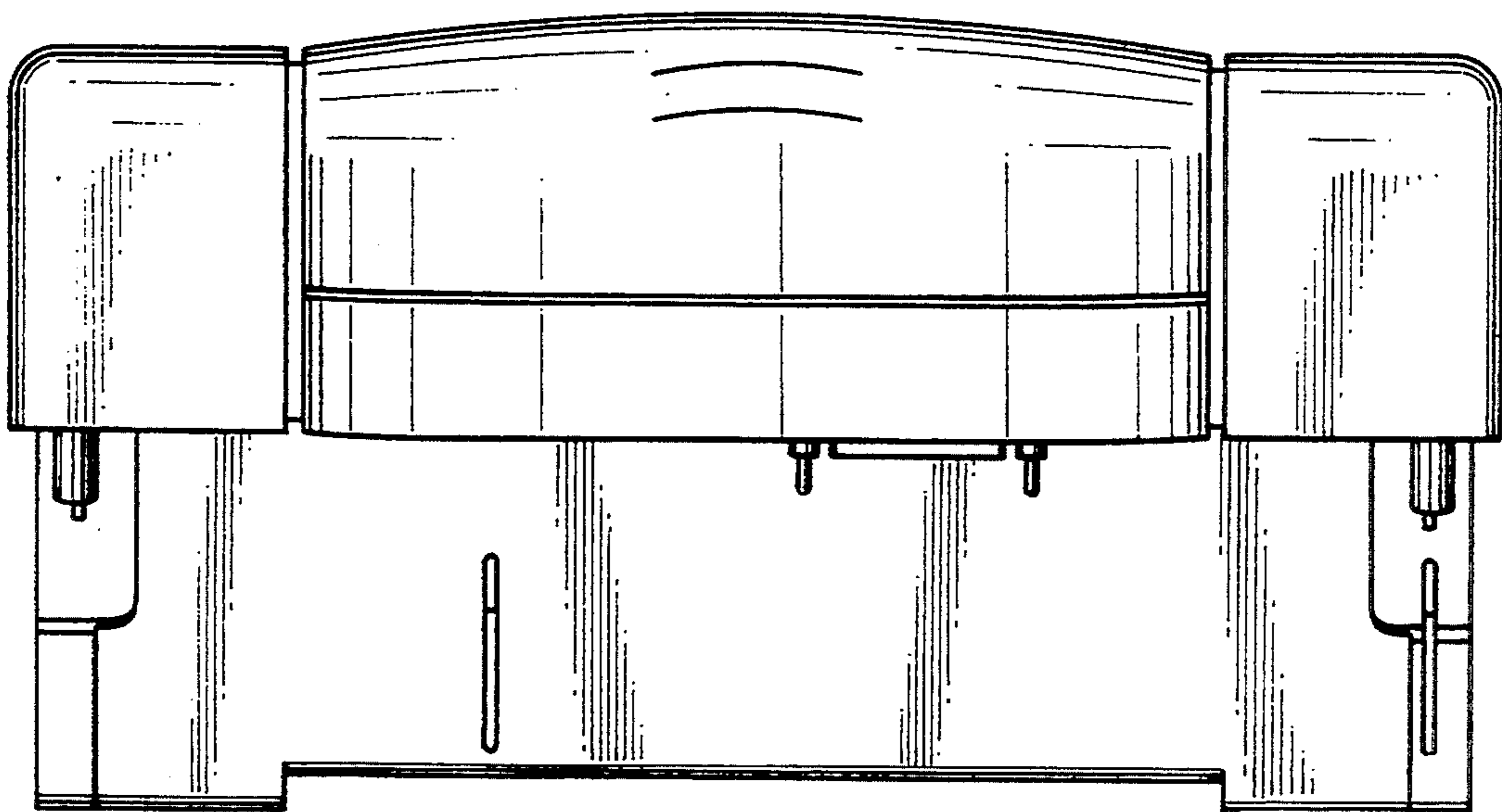


FIG.4

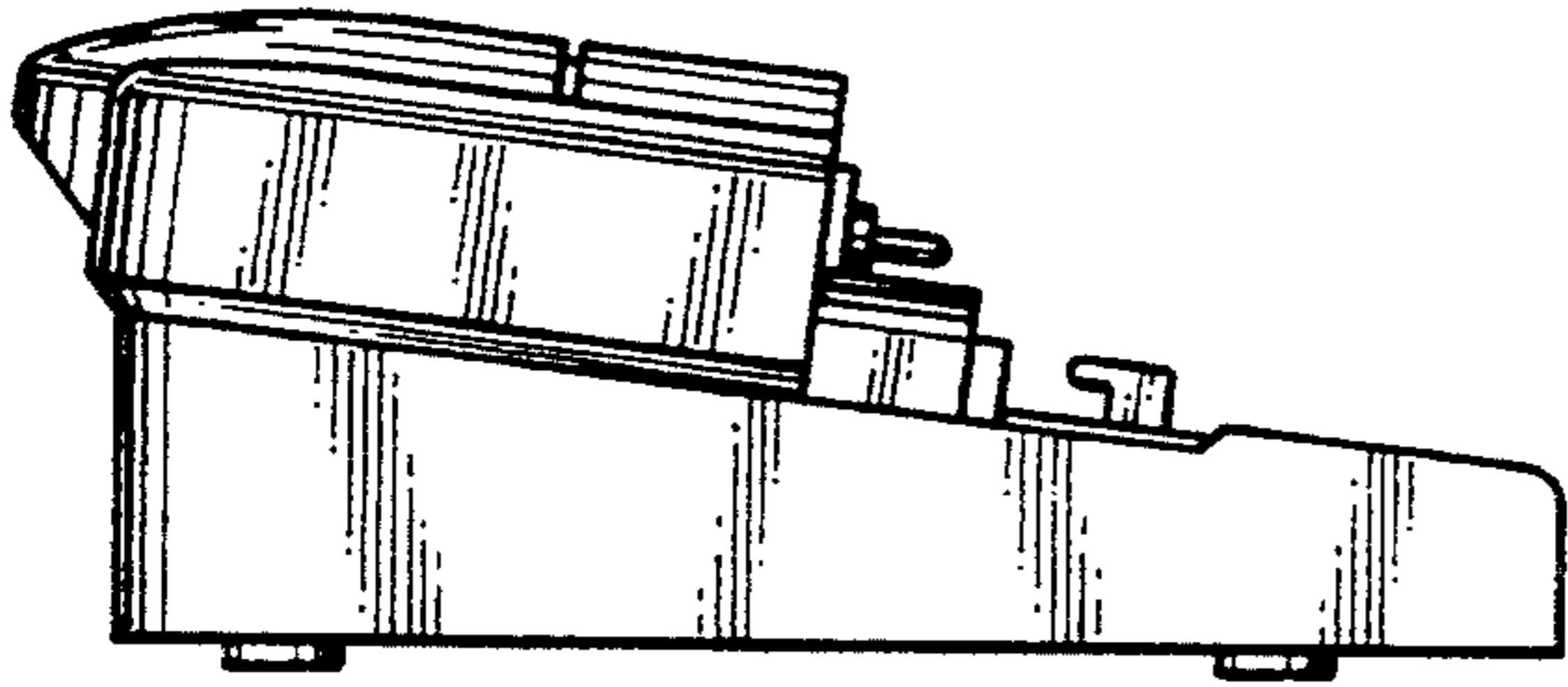


FIG.5

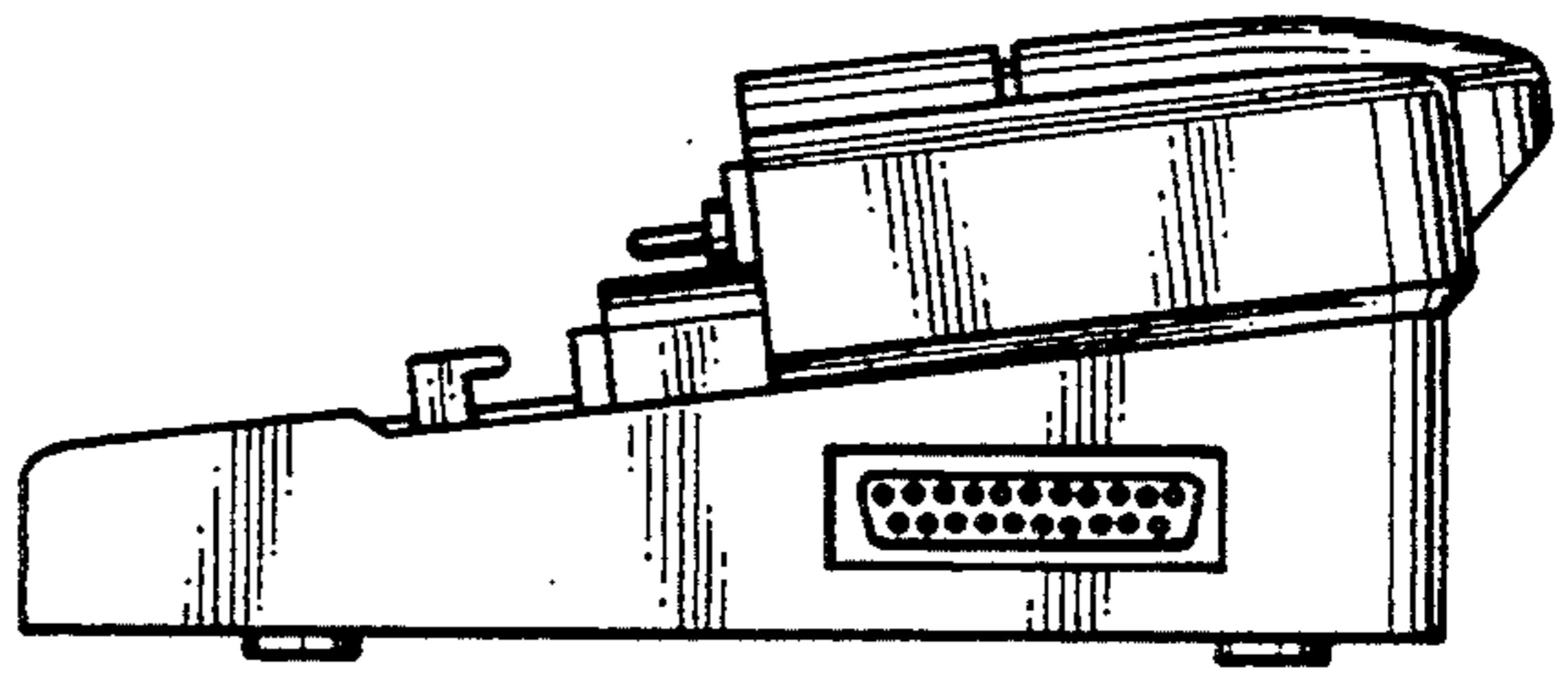


FIG.6

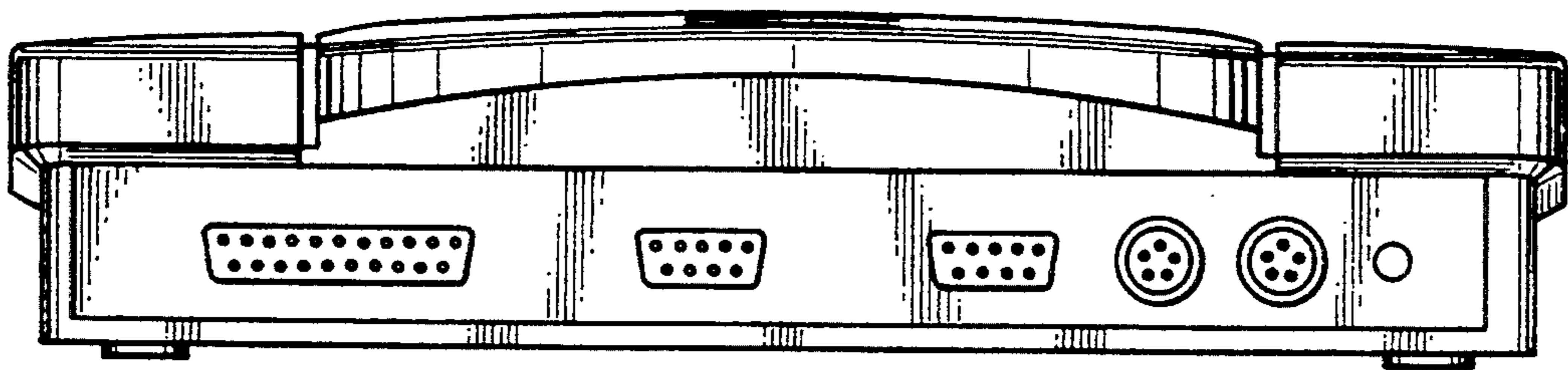


FIG.7

