



US00D359032S

United States Patent [19]

[11] Patent Number: **Des. 359,032**

Wang

[45] Date of Patent: **** Jun. 6, 1995**

[54] **NOTEBOOK COMPUTER**

[75] Inventor: **B. J. Wang**, Hsin-Chuang, Taiwan, Prov. of China

[73] Assignee: **Jetta Computer Co., Ltd.**, Shin-Chuang, Taiwan, Prov. of China

[**] Term: **14 Years**

[21] Appl. No.: **894**

[22] Filed: **Oct. 28, 1992**

[52] U.S. Cl. **D14/106**

[58] Field of Search **D14/100, 101, 106, 113, D14/115; D18/1, 7, 11, 12; 235/145 A, 145 R; 340/700, 706; 341/22, 23; 361/390, 394; 364/708, 709.04, 709.12; 400/486, 489**

[56] **References Cited**

U.S. PATENT DOCUMENTS

D. 316,543 4/1991 Grimm et al. **D14/106**

D. 316,545 4/1991 Esslinger et al. **D14/106**
D. 317,759 6/1991 Azima **D14/106**
D. 332,945 2/1993 Savio **D14/106**

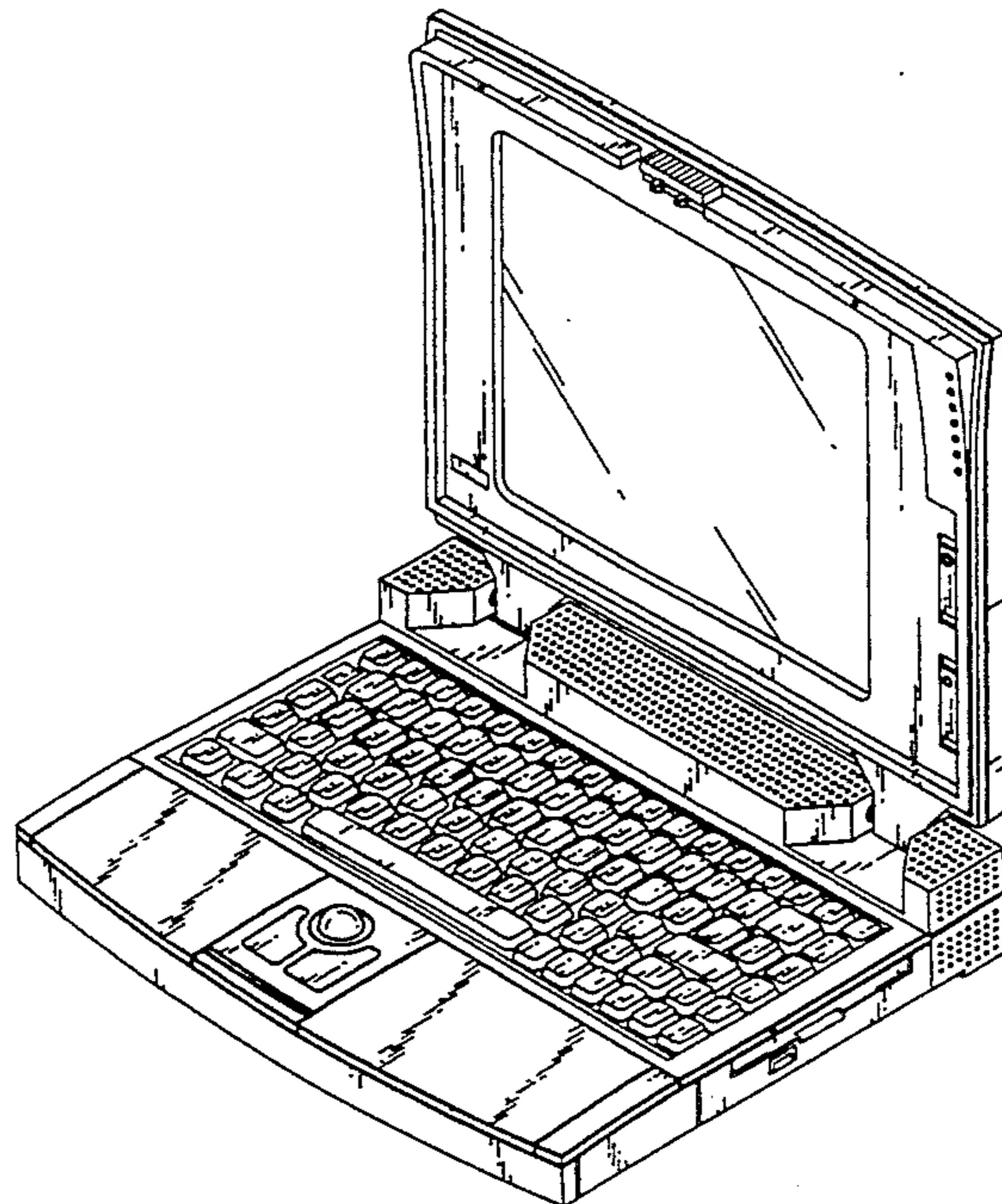
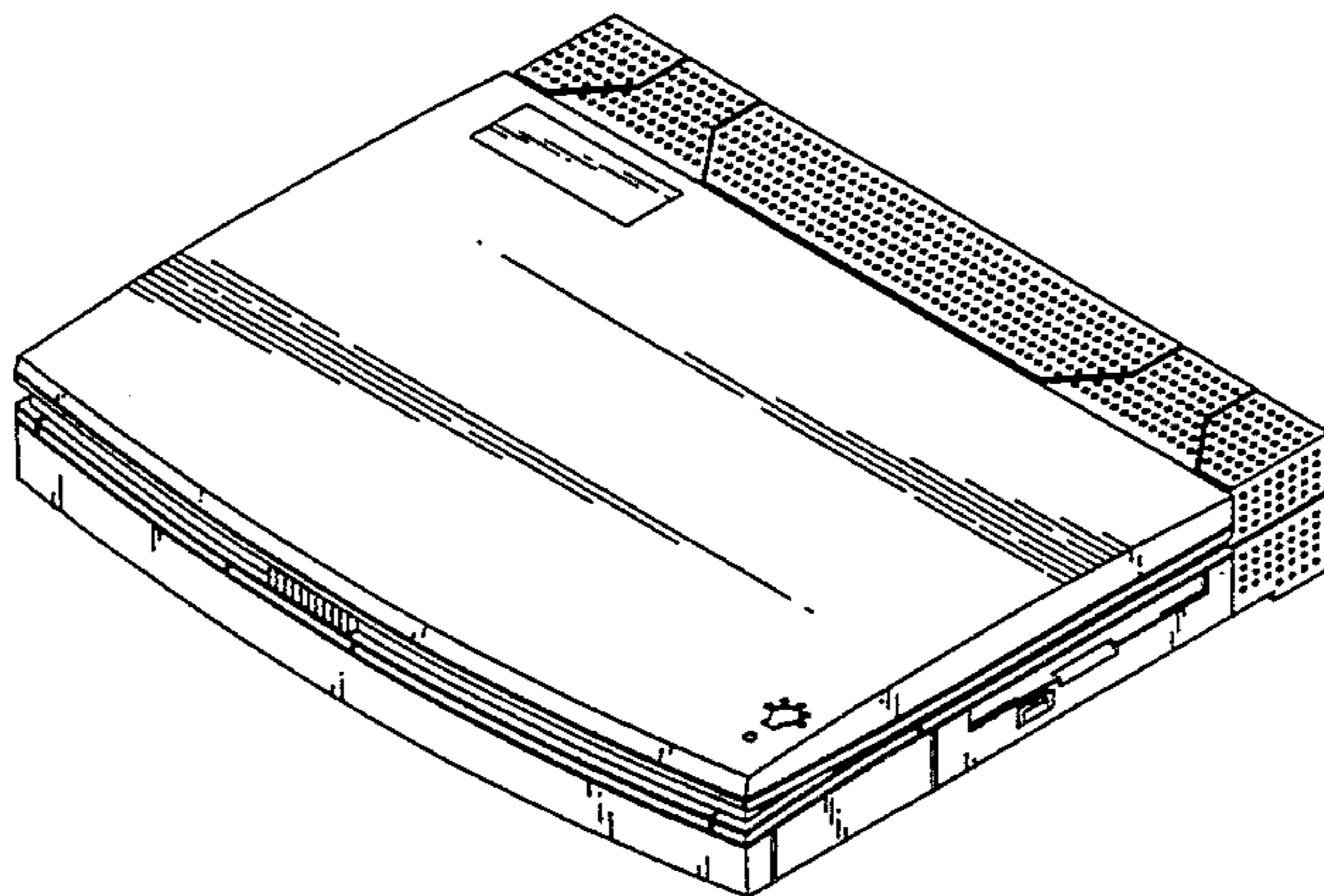
Primary Examiner—James M. Gandy
Assistant Examiner—Freda S. Nunn

[57] **CLAIM**

The ornamental design for a notebook computer, as shown and described.

DESCRIPTION

FIG. 1 is a reduced top front and right side perspective view of a notebook computer showing my new design; FIG. 2 is a front view thereof; FIG. 3 is a rear view thereof; FIG. 4 is a left side view thereof; FIG. 5 is a right side view thereof; FIG. 6 is a top view thereof; FIG. 7 is a bottom view thereof; and, FIG. 8 is a reduced perspective view thereof showing the computer opened.



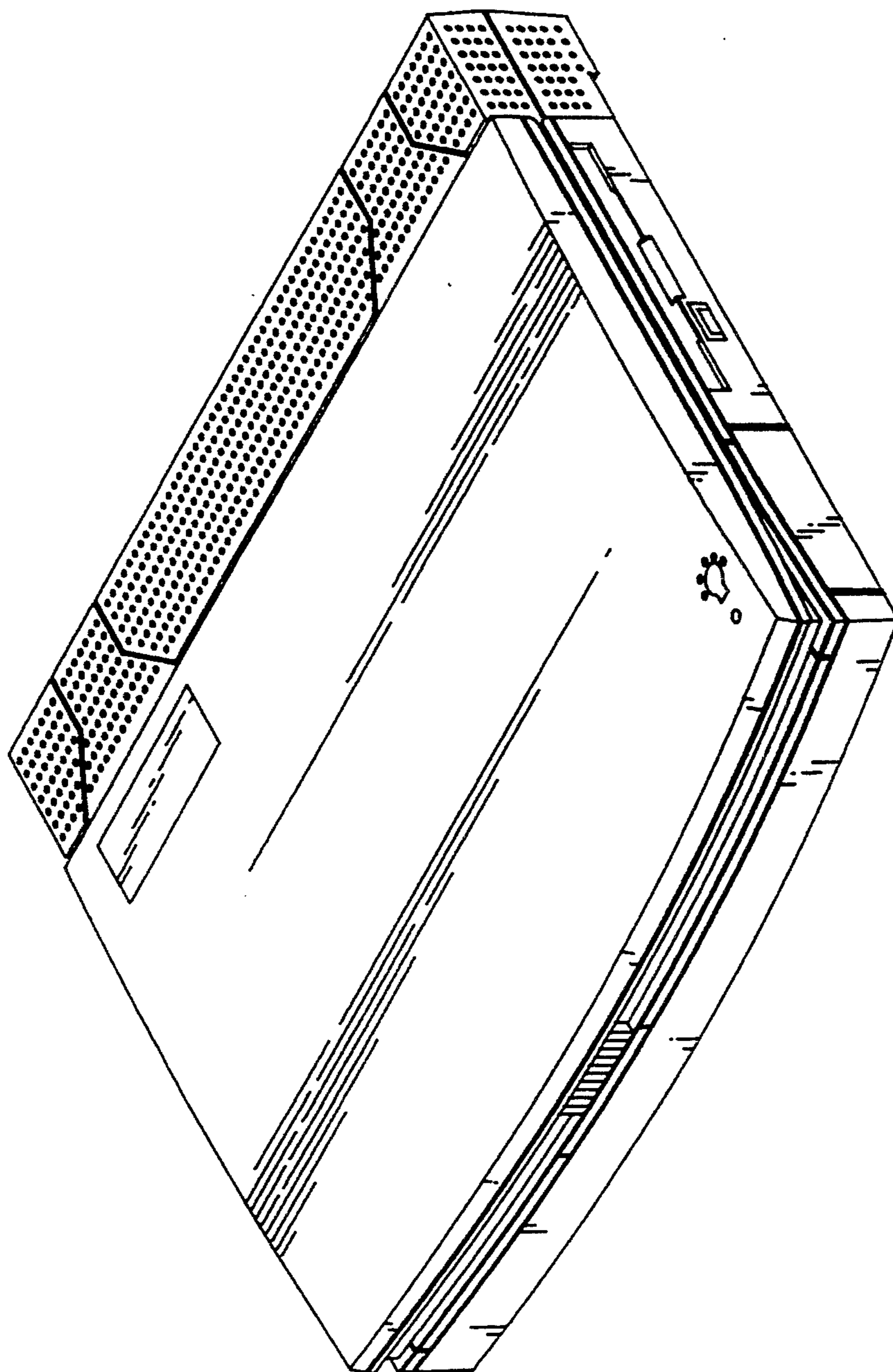


FIG. 1

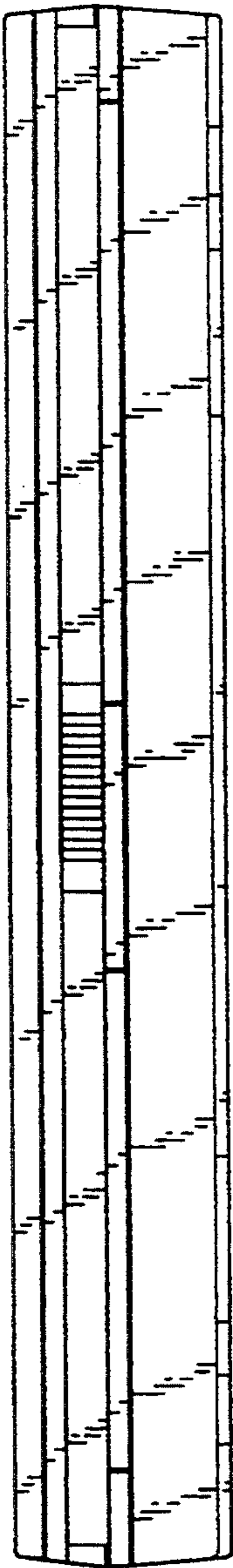


FIG. 2

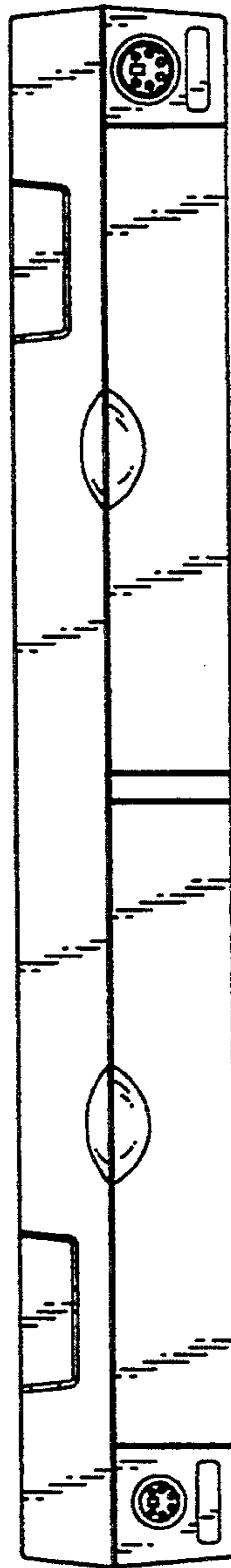


FIG. 3

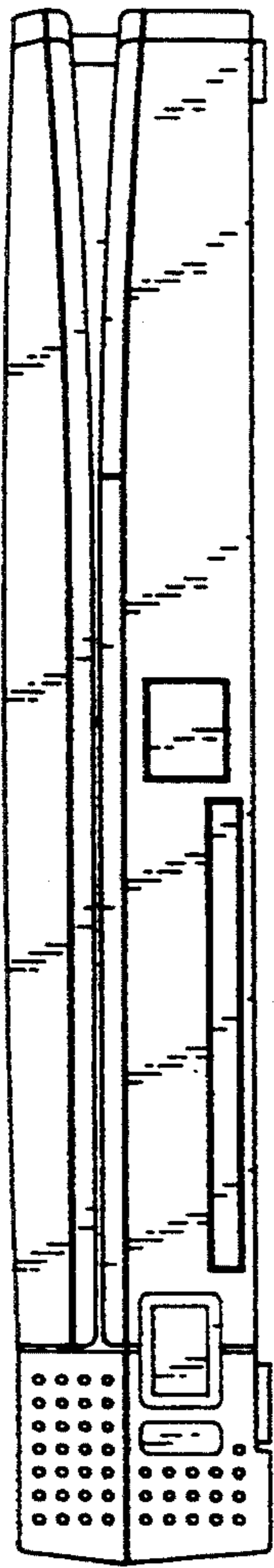


FIG. 4

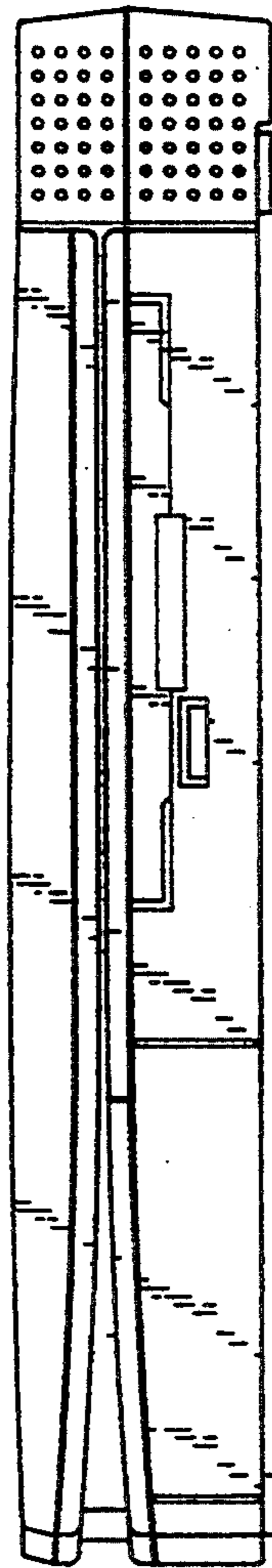


FIG. 5

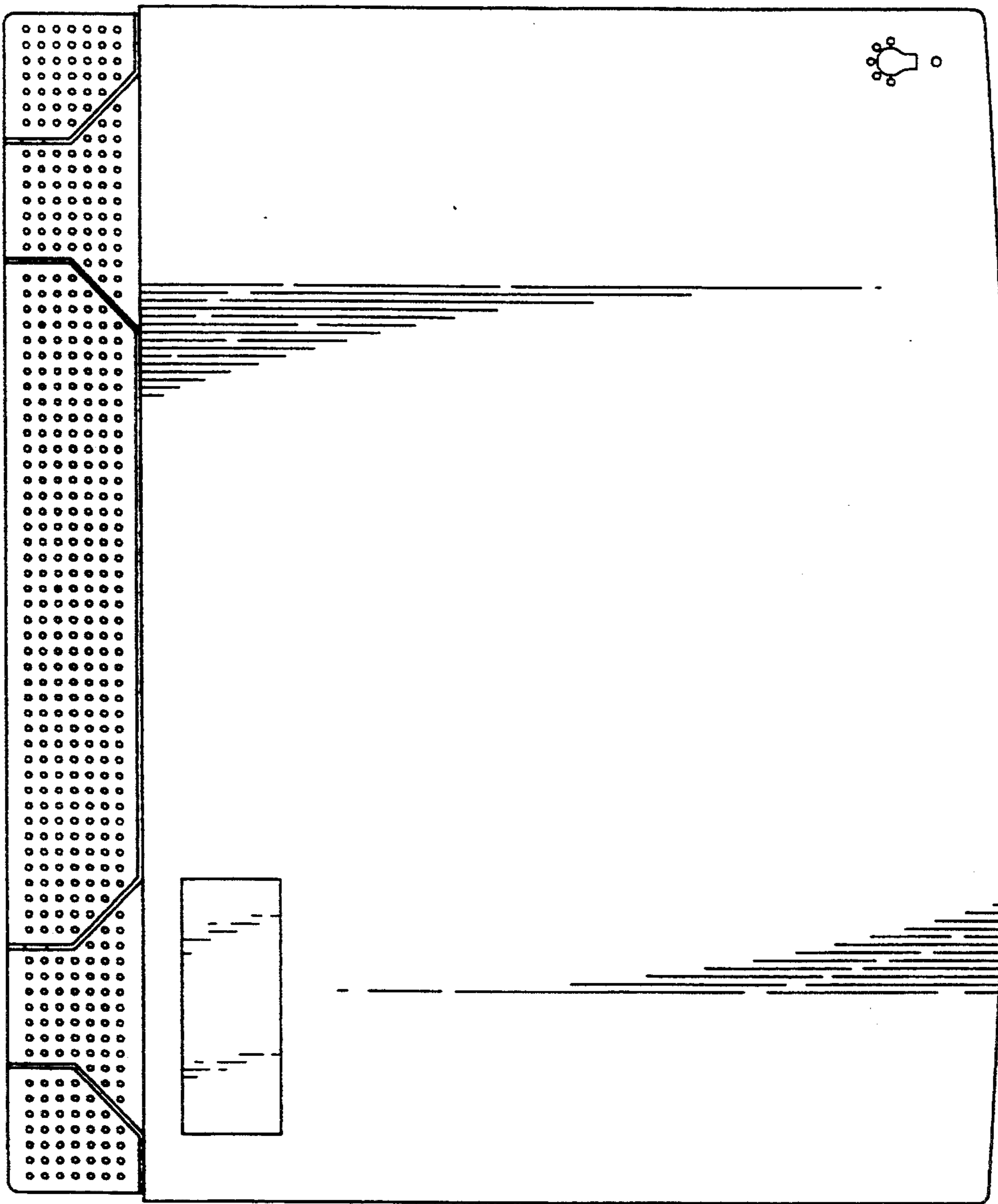


FIG. 6

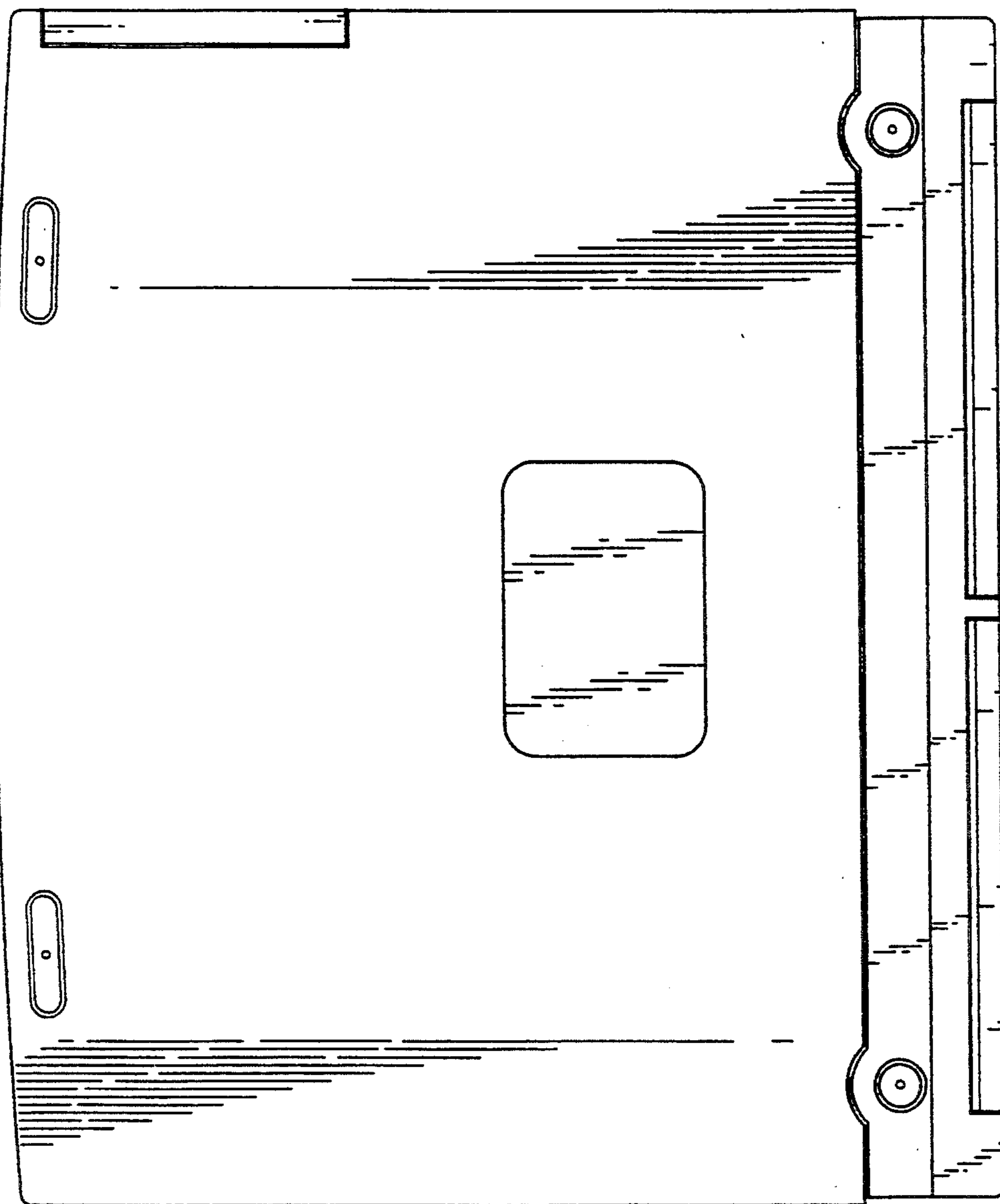


FIG. 7

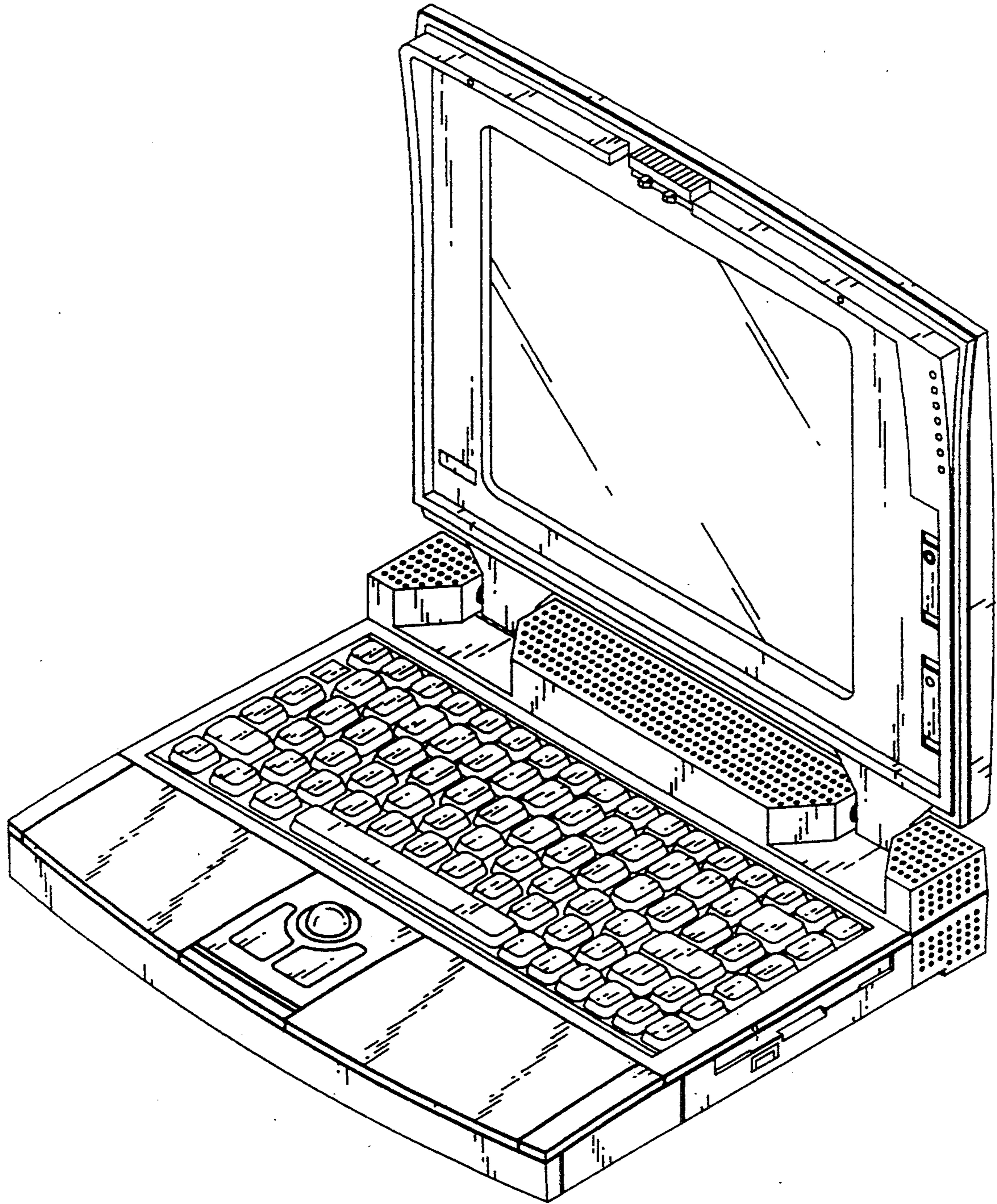


FIG. 8