



US00D359031S

# United States Patent [19]

[11] Patent Number: **Des. 359,031**

Hatano

[45] Date of Patent: **\*\* Jun. 6, 1995**

[54] **PORTABLE COMPUTER INCORPORATING A CHARGE COUPLED DEVICE CAMERA**

[75] Inventor: **Itaru Hatano**, Santa Clara, Calif.

[73] Assignee: **Alps Electric (USA) Inc.**, San Jose, Calif.

[\*\*] Term: **14 Years**

[21] Appl. No.: **18,100**

[22] Filed: **Jan. 27, 1994**

[52] U.S. Cl. .... **D14/100; D16/213; D14/107**

[58] Field of Search ..... **D14/100, 106, 113, 115, D14/124-127; D19/26, 52, 59, 60, 62; D16/200, 203, 208, 213; 345/104, 156, 173, 901, 905; 364/708.1, 709.04, 709.12; 434/307-309; 178/18, 19; 361/681**

[56] **References Cited**

**U.S. PATENT DOCUMENTS**

D. 321,174 10/1991 Tsuchiya ..... D14/100

**FOREIGN PATENT DOCUMENTS**

403060098A 3/1991 Japan ..... 361/681

*Primary Examiner*—Freda S. Nunn

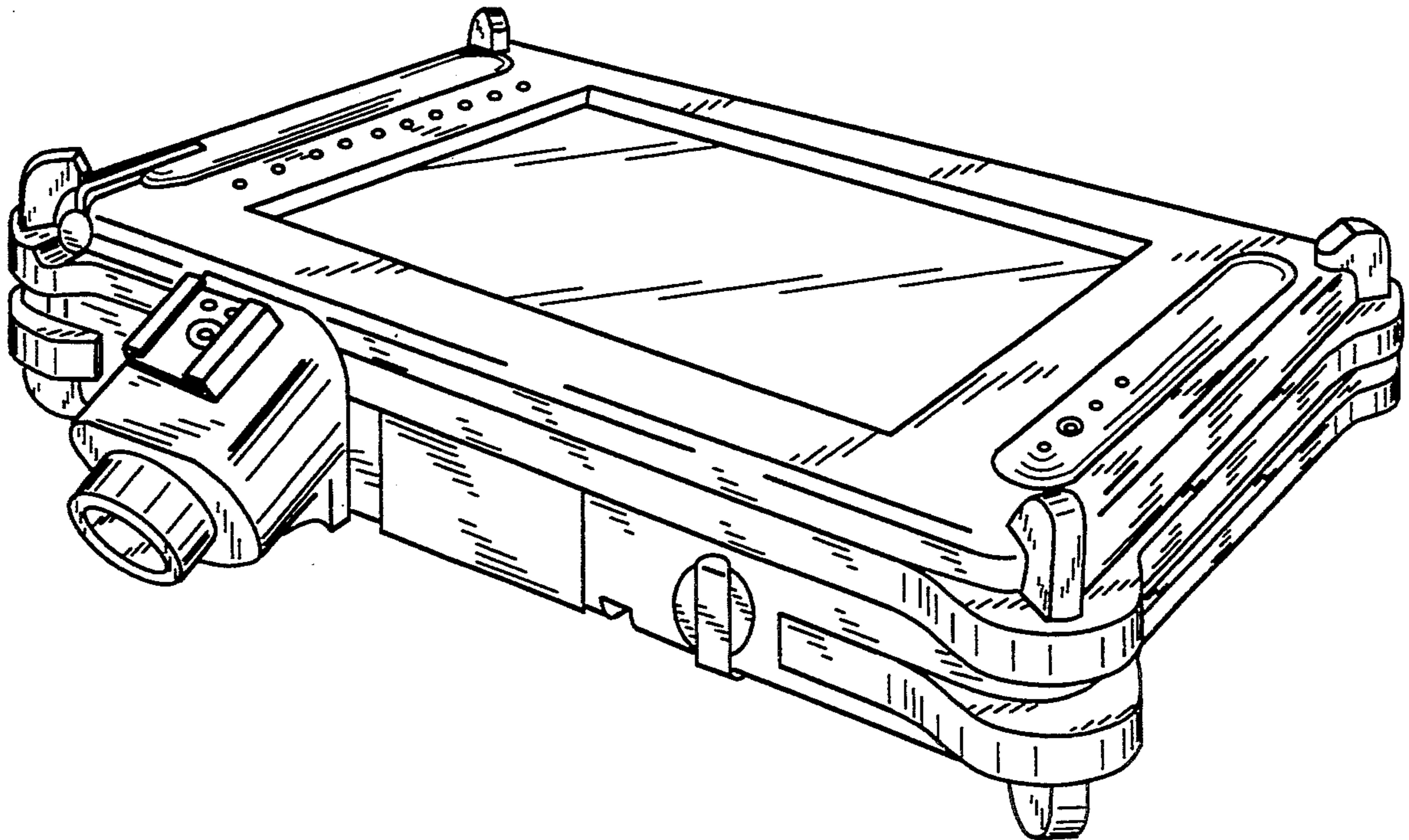
*Attorney, Agent, or Firm*—Guy W. Shoup; Patrick T. Bever

[57] **CLAIM**

The ornamental design for a portable computer incorporating a charge coupled device camera, as shown and described.

**DESCRIPTION**

FIG. 1 is a reduced top front and side perspective view of a portable computer incorporating a charge coupled device camera showing my new design; FIG. 2 is a front elevational view thereof; FIG. 3 is a back elevational view thereof; FIG. 4 is a side elevational view thereof with a lowered antennae; FIG. 5 is an opposite side elevational view thereof; FIG. 6 is a top plan view thereof; and, FIG. 7 is a bottom plan view thereof.



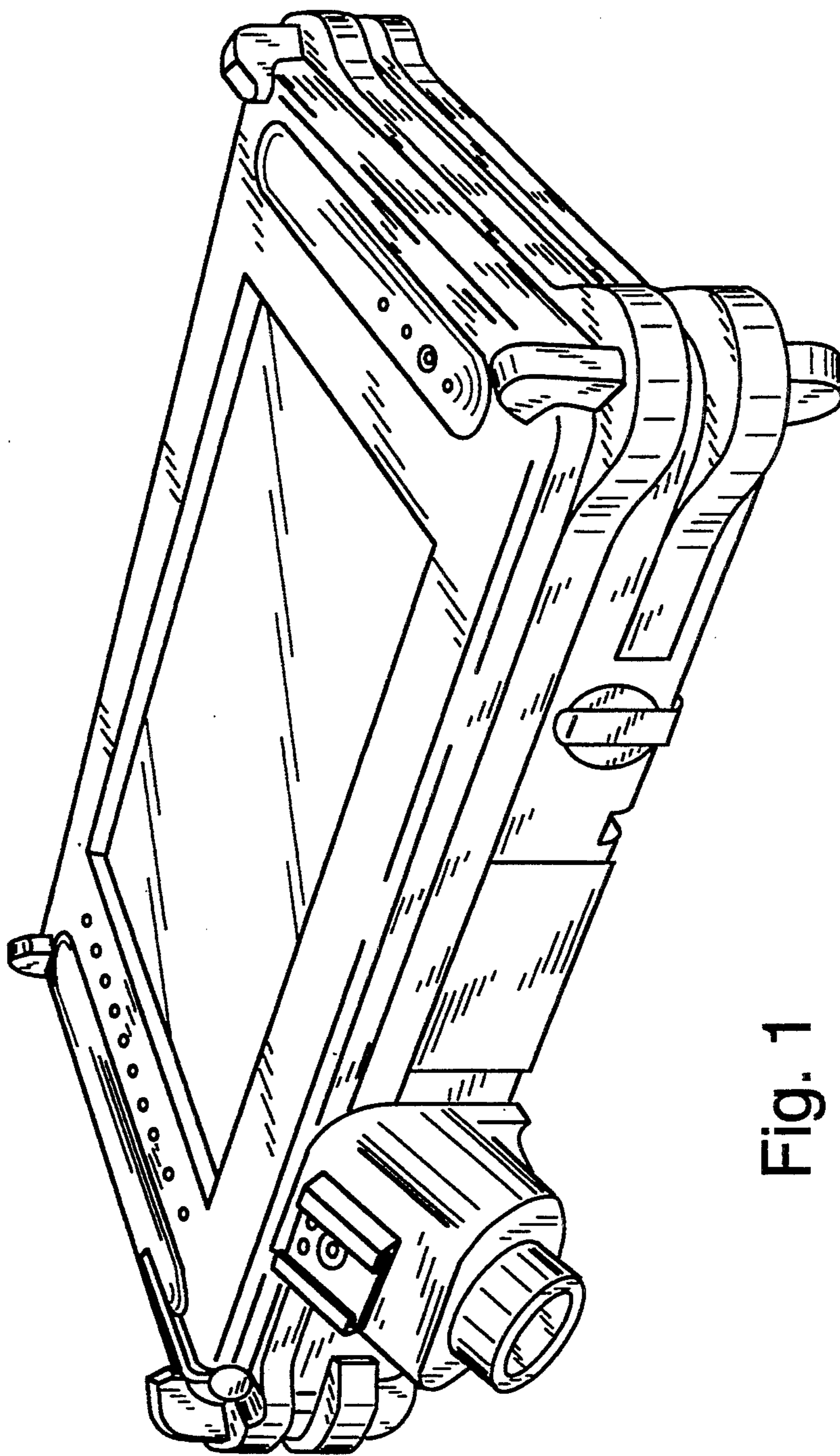


Fig. 1

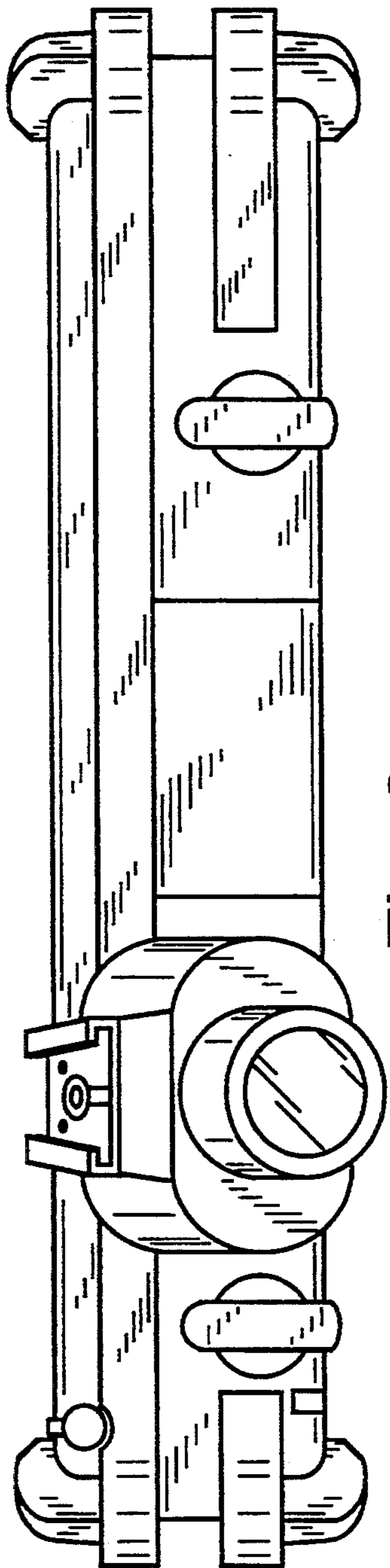


Fig. 2

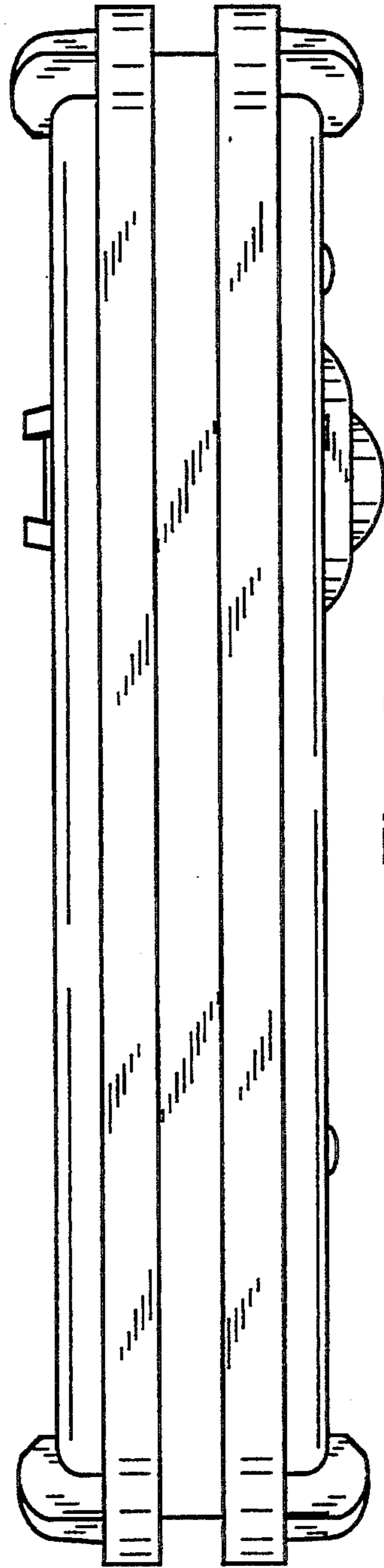


Fig. 3

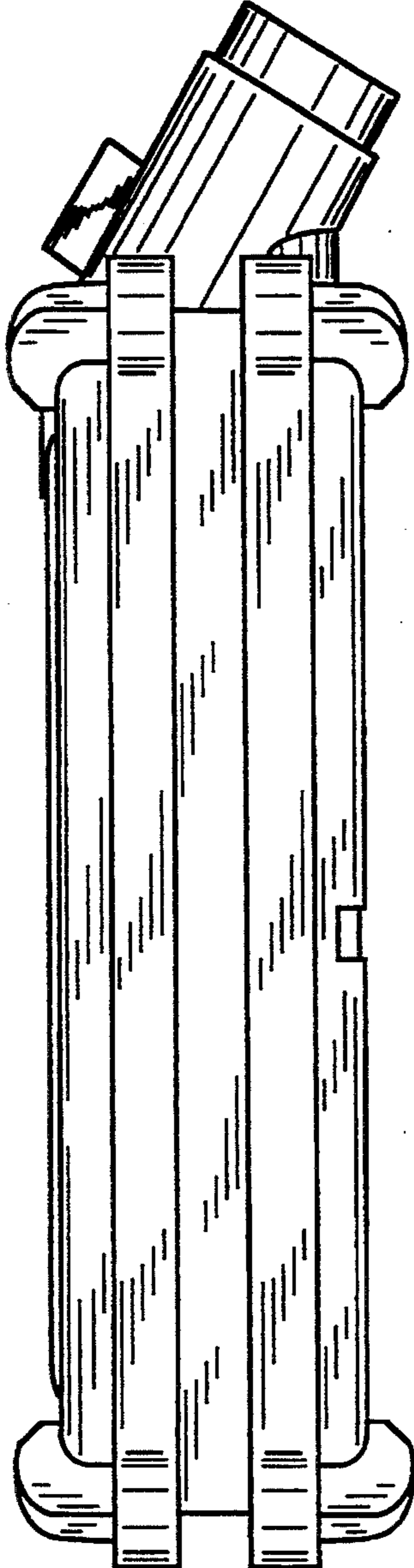


Fig. 4

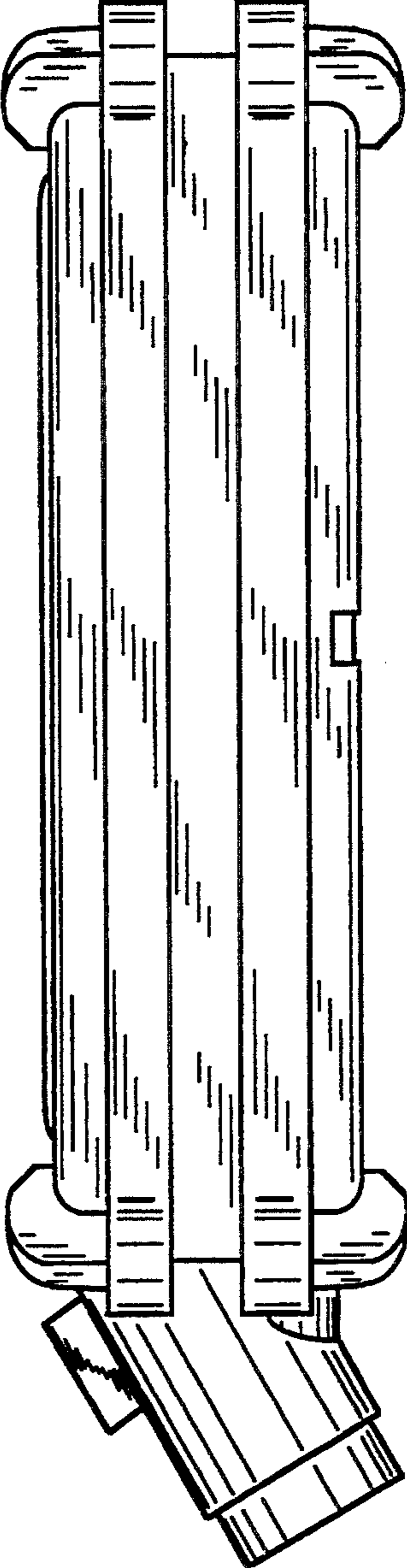


Fig. 5

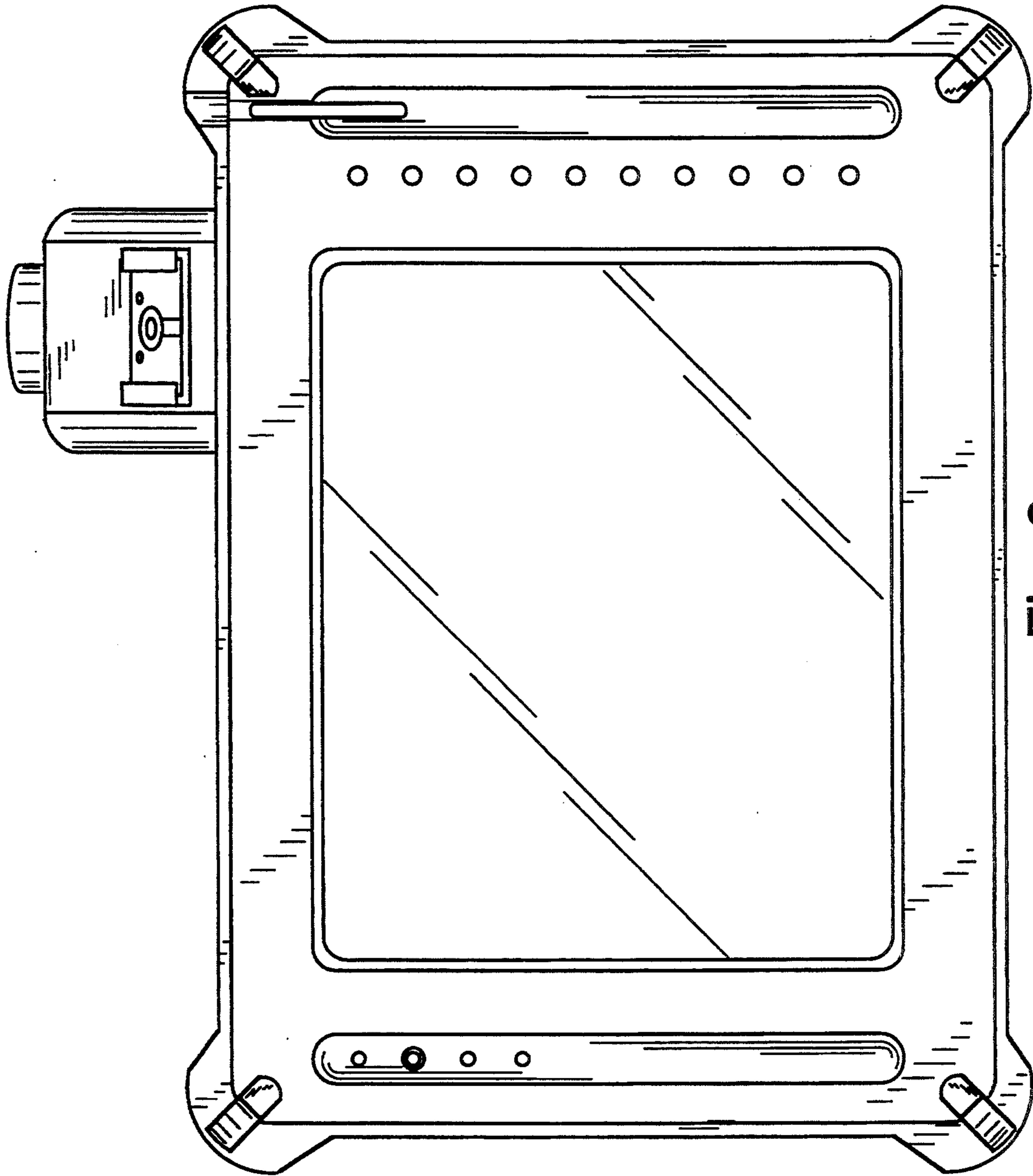


Fig. 6

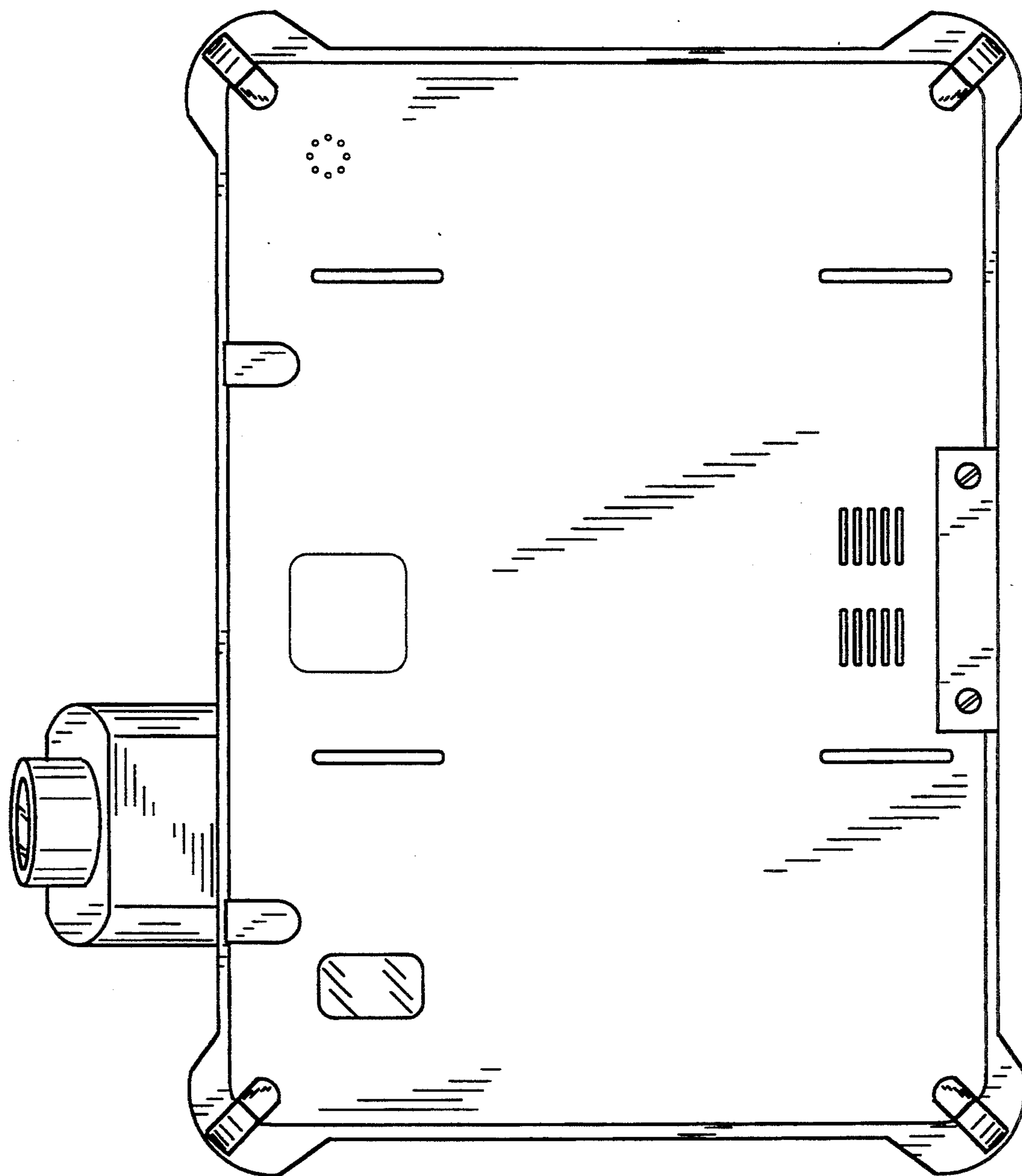


Fig. 7