



US00D359022S

United States Patent [19]

[11] Patent Number: **Des. 359,022**

Lashman

[45] Date of Patent: **** Jun. 6, 1995**

[54] SCUBA SCOOTER

D. 323,808	2/1992	DeSantis	D12/300
5,158,034	10/1992	Hsu	114/315
5,303,666	4/1994	DeSantis et al.	114/315

[75] Inventor: **Morton E. Lashman**, Fort Lauderdale, Fla.

Primary Examiner—Kay H. Chin
Attorney, Agent, or Firm—M. K. Silverman

[73] Assignee: **Mode Industries, Inc.**, Ft. Lauderdale, Fla.

[57] **CLAIM**

[**] Term: **14 Years**

The ornamental design for a scuba scooter, as shown and described.

[21] Appl. No.: **17,783**

DESCRIPTION

[22] Filed: **Jan. 24, 1994**

[52] U.S. Cl. **D12/308; D21/236**

FIG. 1 is a perspective view of a scuba scooter showing my new design;

[58] Field of Search **D12/300, 308; 114/315; 440/6; D21/236**

FIG. 2 is a side elevational view of which the right side is a mirror image thereof;

FIG. 3 is a top view thereof;

FIG. 4 is a bottom perspective view thereof;

FIG. 5 is a front elevational view thereof; and,

FIG. 6 is a rear elevational view thereof.

[56] **References Cited**

U.S. PATENT DOCUMENTS

D. 242,615 12/1976 Henning D12/308

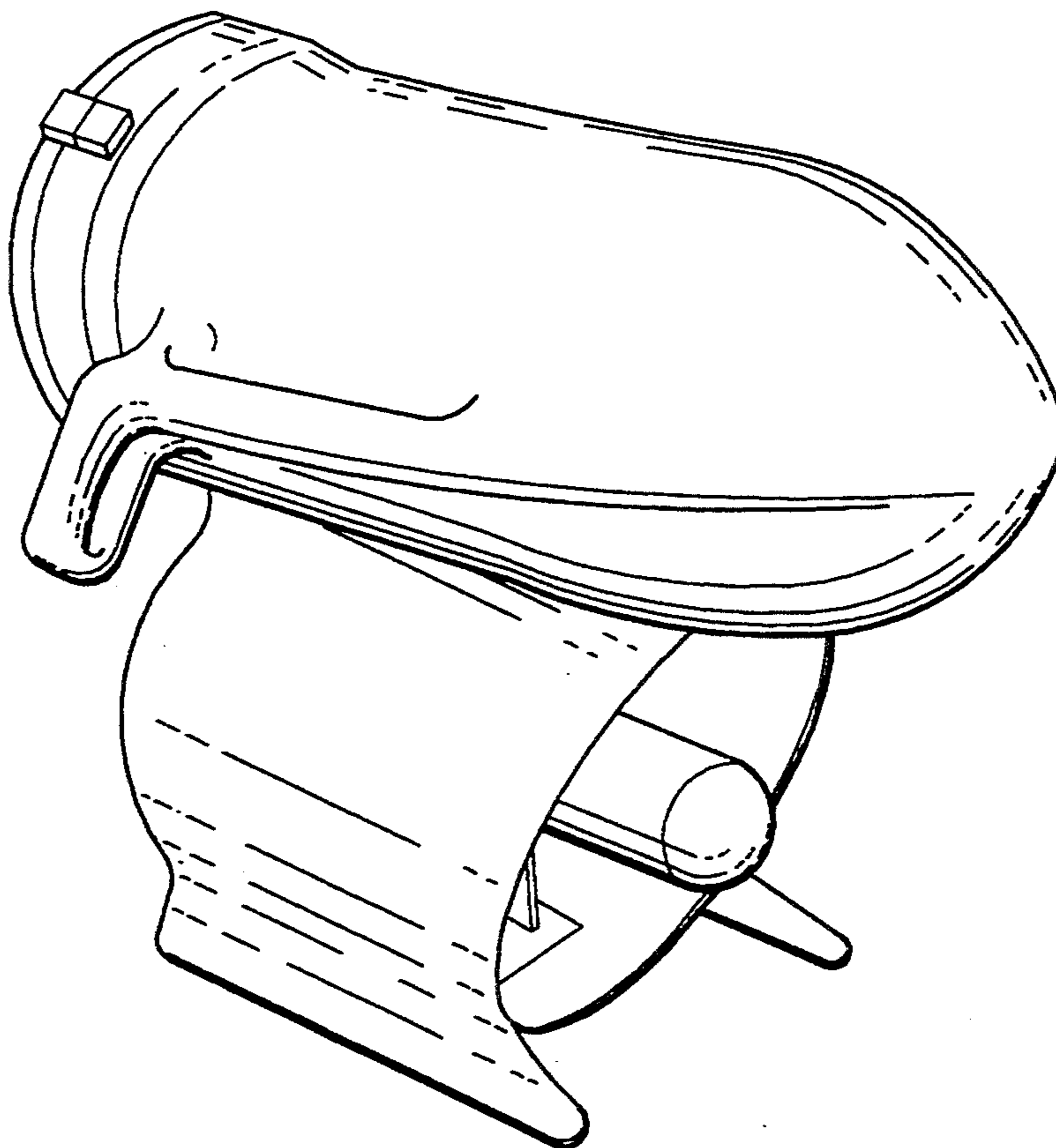


FIG. 2.

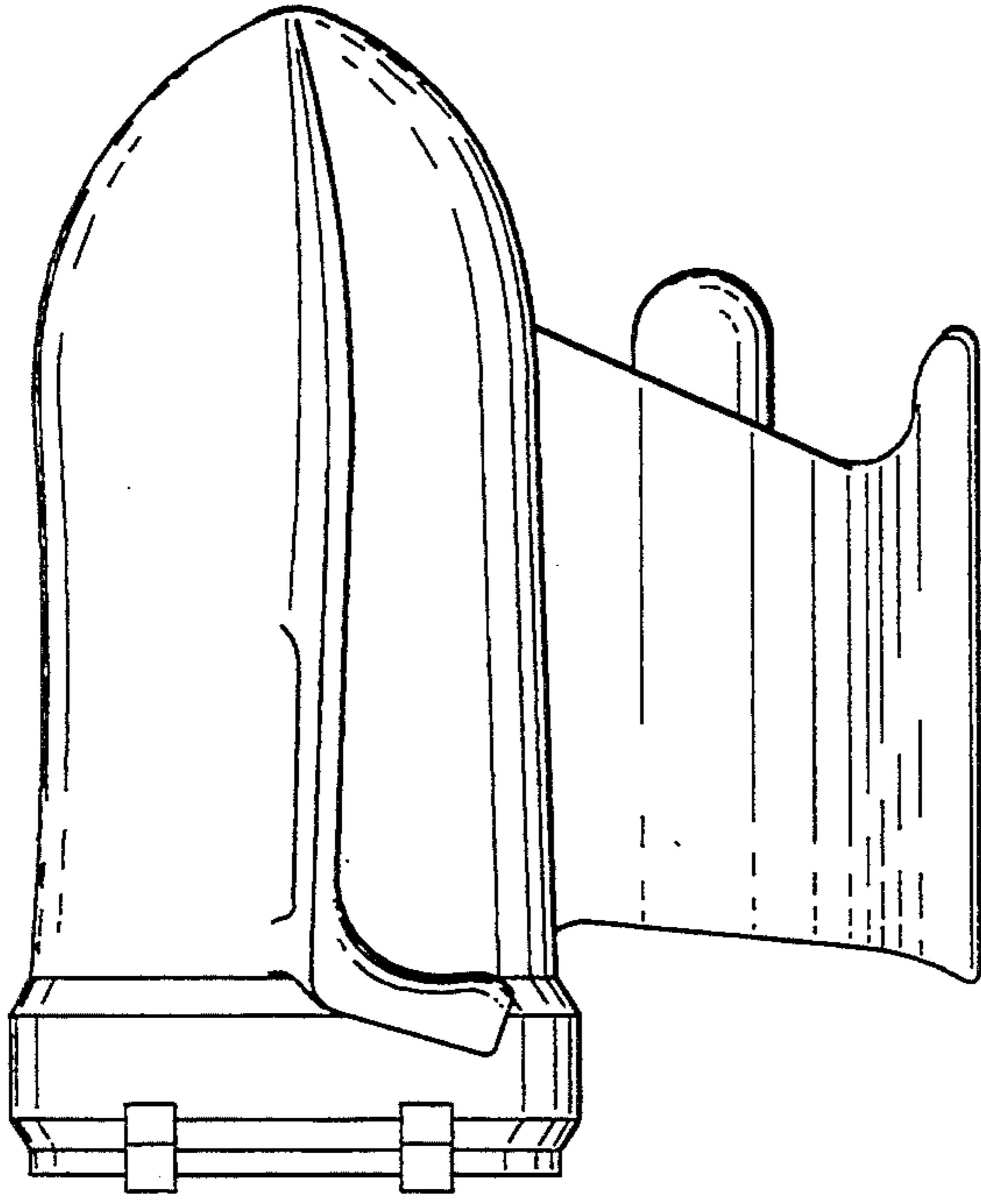


FIG. 3.

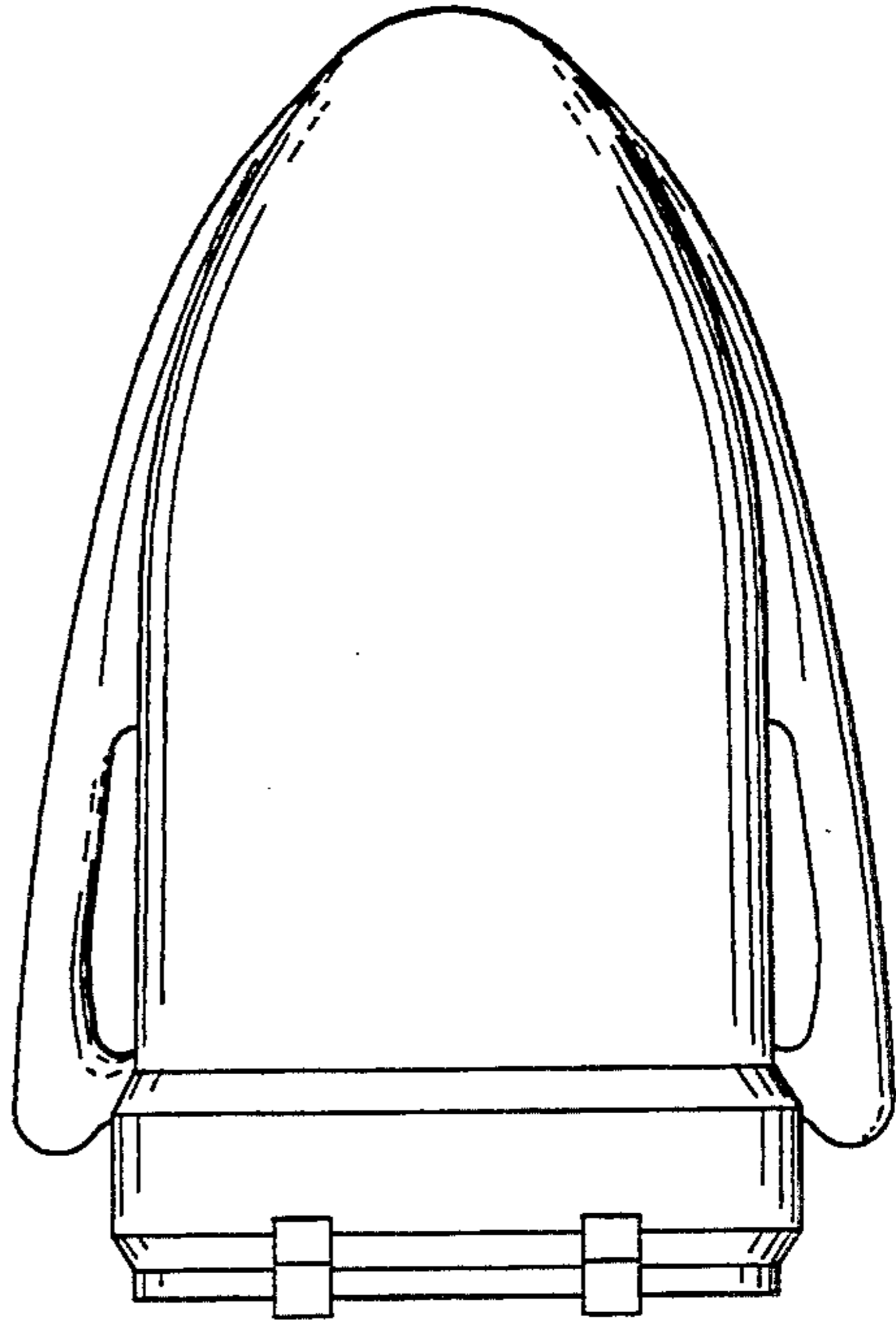


FIG. 1.

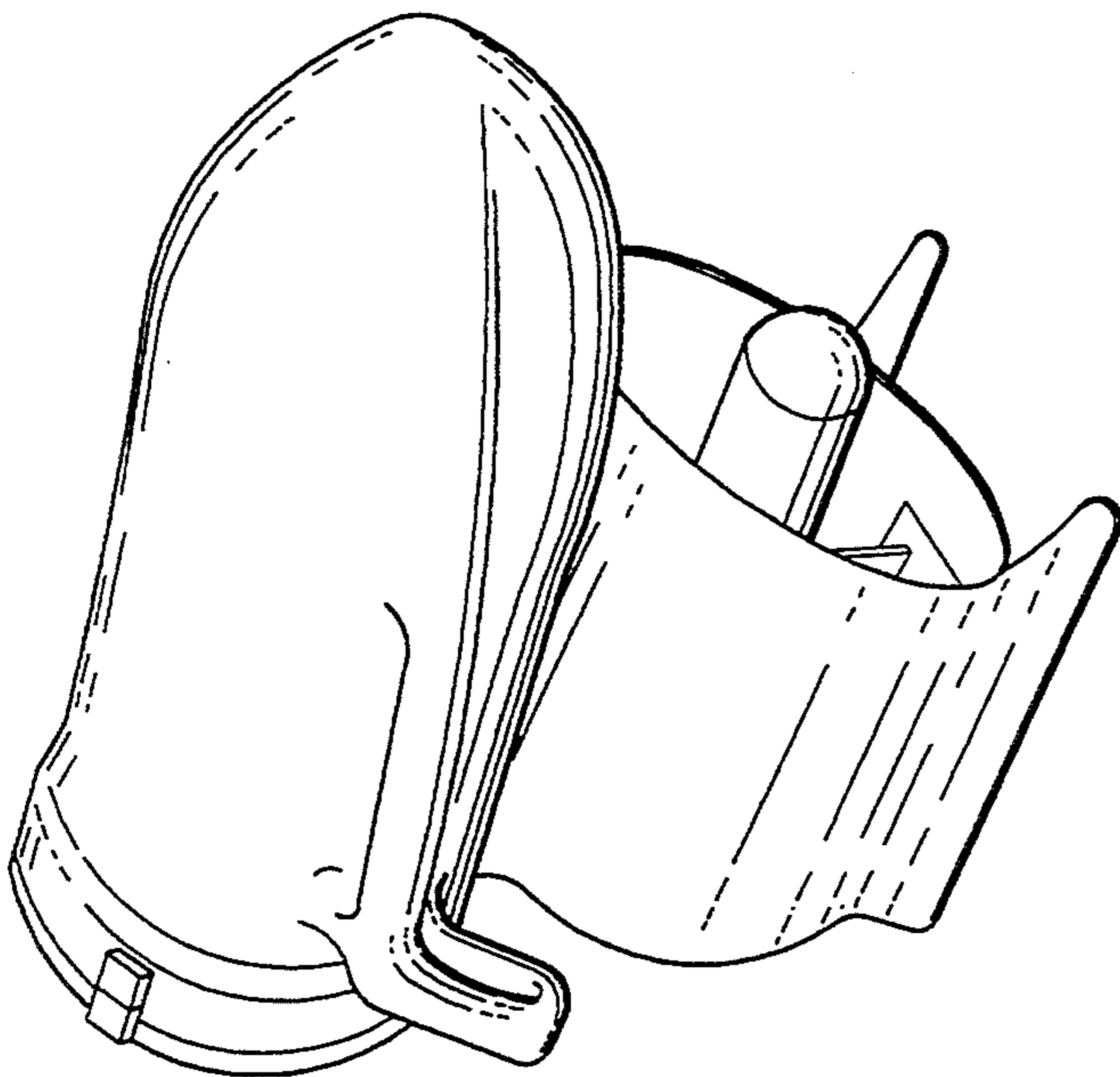


FIG. 4.

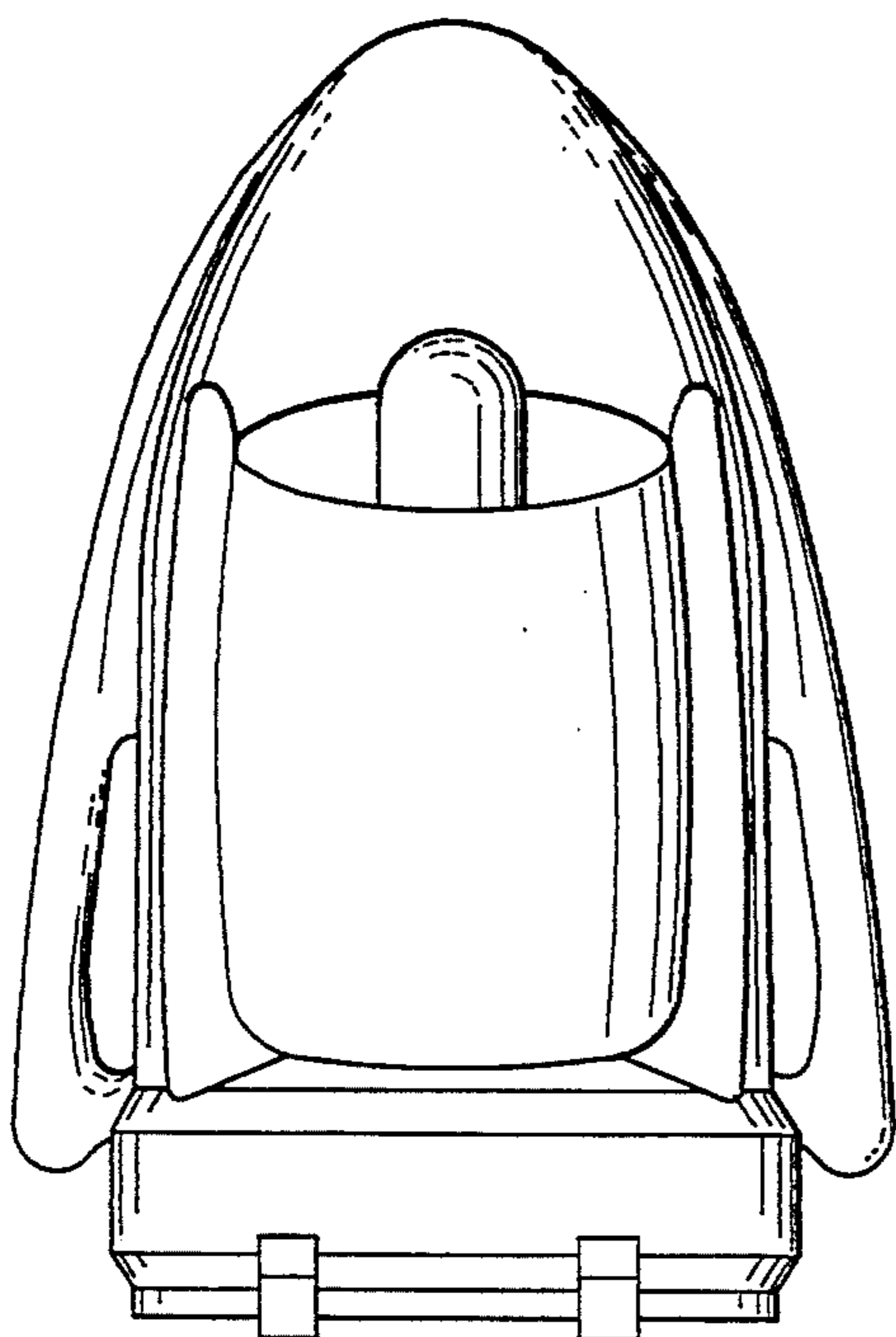


FIG. 5.

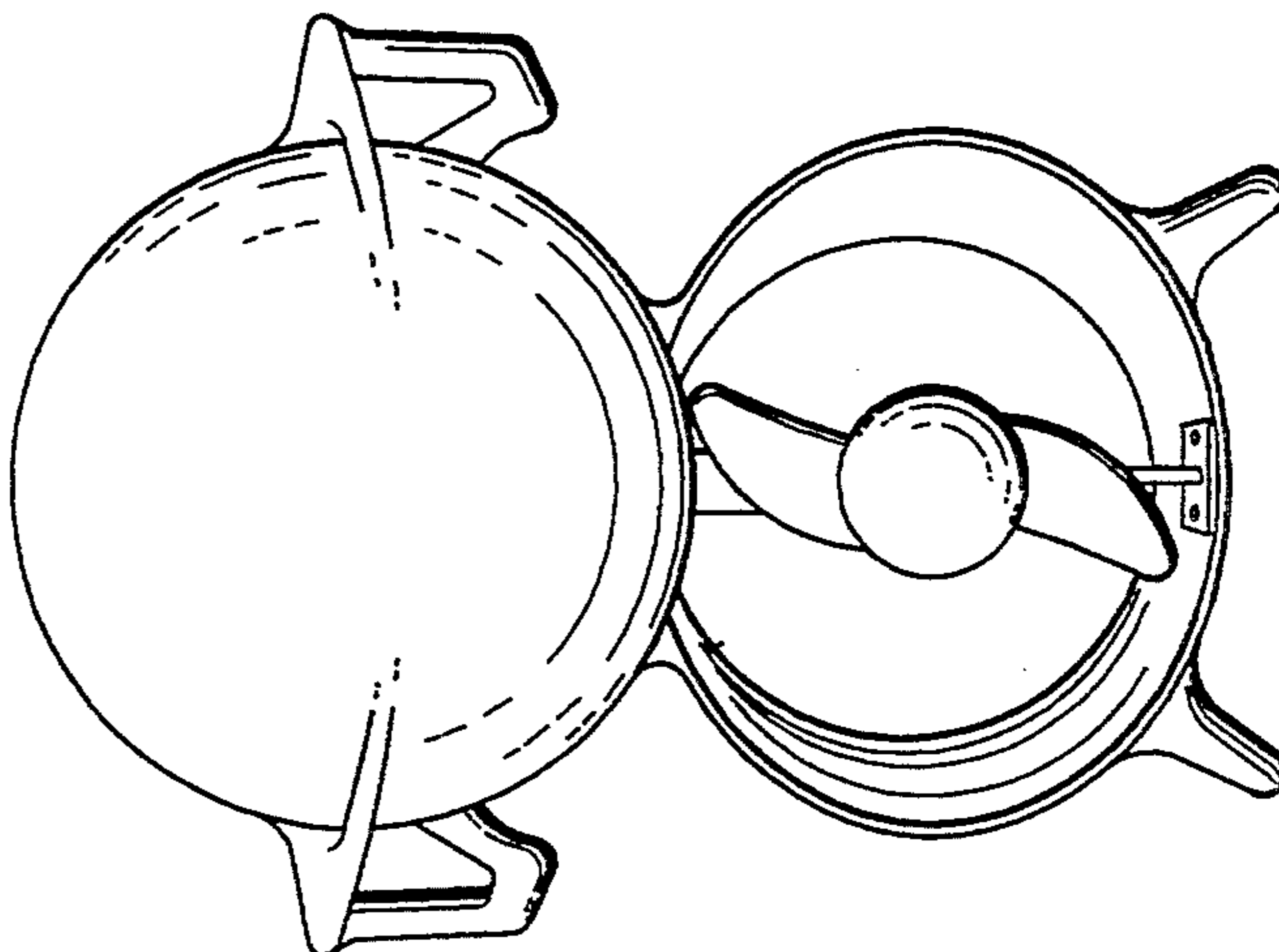


FIG. 6.

