



US00D359021S

United States Patent [19]

[11] Patent Number: **Des. 359,021**

Snook

[45] Date of Patent: **** Jun. 6, 1995**

[54] WHEEL HUB ADAPTER

[56] References Cited

U.S. PATENT DOCUMENTS

[76] Inventor: **Steven J. Snook**, 3752 Helena Cir.,
La Verne, Calif. 91750-3238

D. 35,433	12/1901	Pope	D12/207
D. 207,053	2/1967	Cecil	D12/207
2,781,231	2/1957	Black	301/105.1

[**] Term: **14 Years**

Primary Examiner—James M. Gandy
Attorney, Agent, or Firm—William L. Chapin

[21] Appl. No.: **14,398**

[57] **CLAIM**

The ornamental design for a wheel hub adapter, as shown.

[22] Filed: **Oct. 21, 1993**

[52] U.S. Cl. **D12/207**

[58] Field of Search D12/207; 301/105.1,
301/108.1

DESCRIPTION

FIG. 1 is a perspective view of the wheel hub adapter of the present invention;

FIG. 2 is a front elevation view thereof;

FIG. 3 is a side elevation view thereof; and,

FIG. 4 is a rear elevation view thereof.

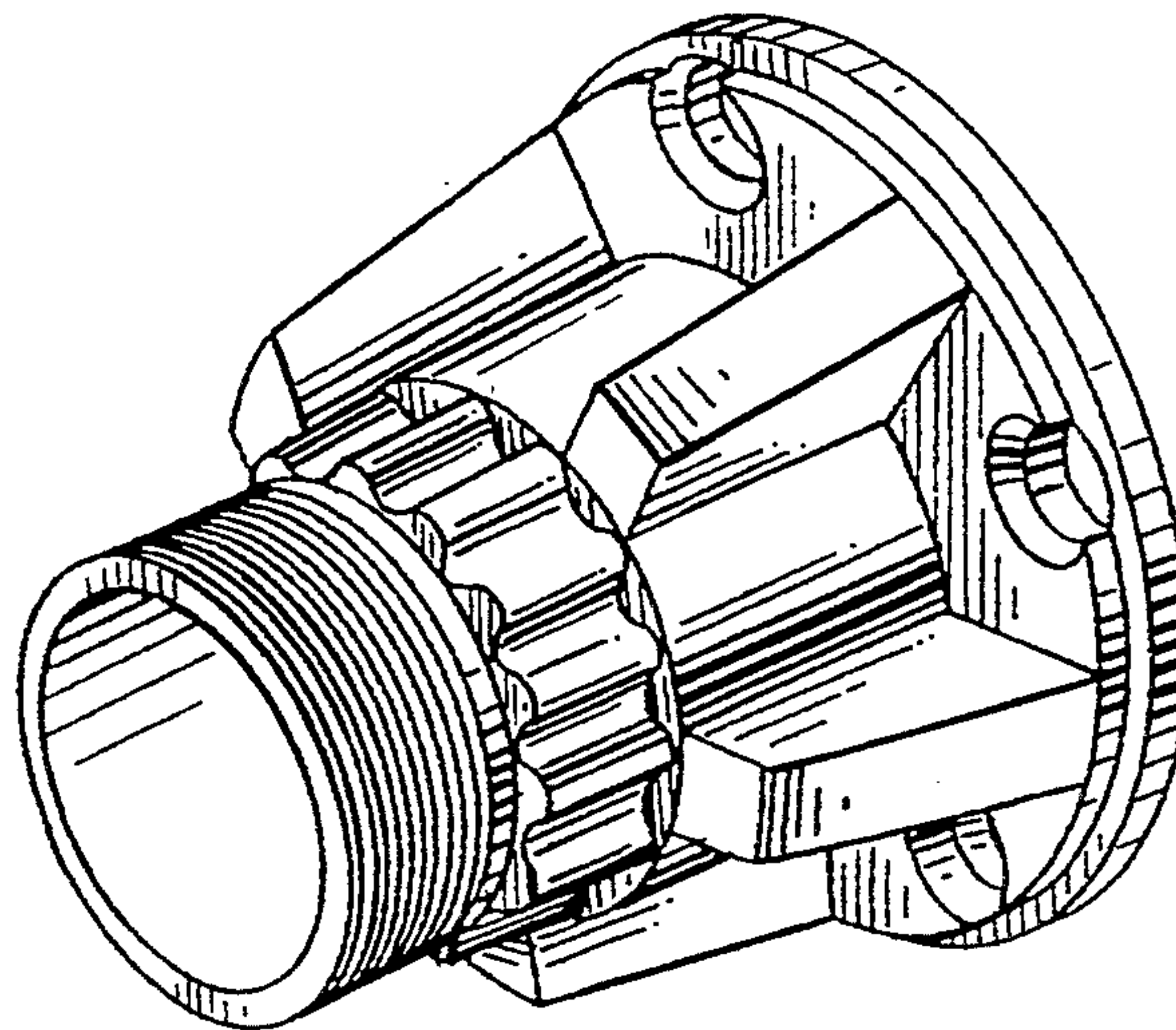


FIG. 1

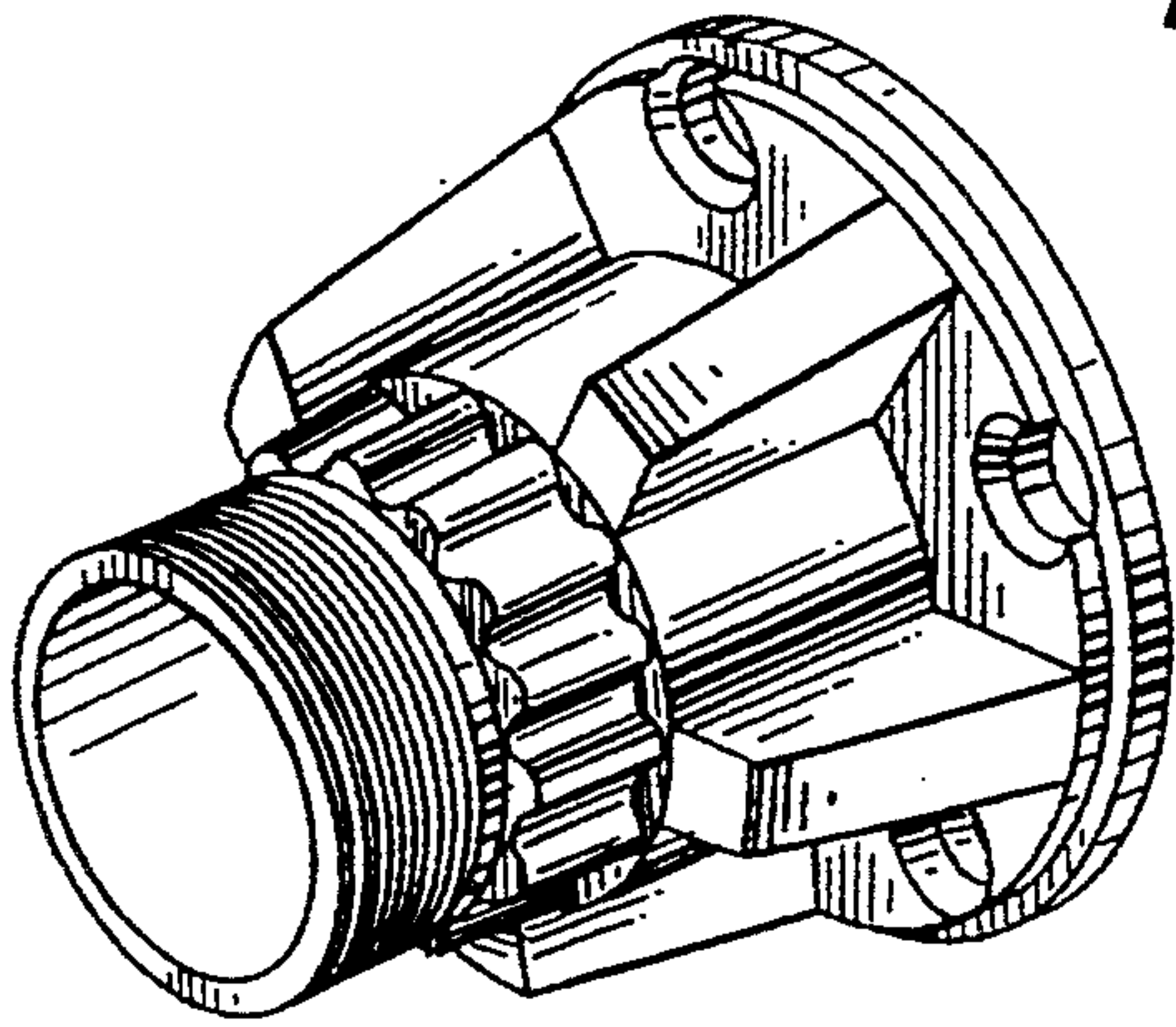


FIG. 2

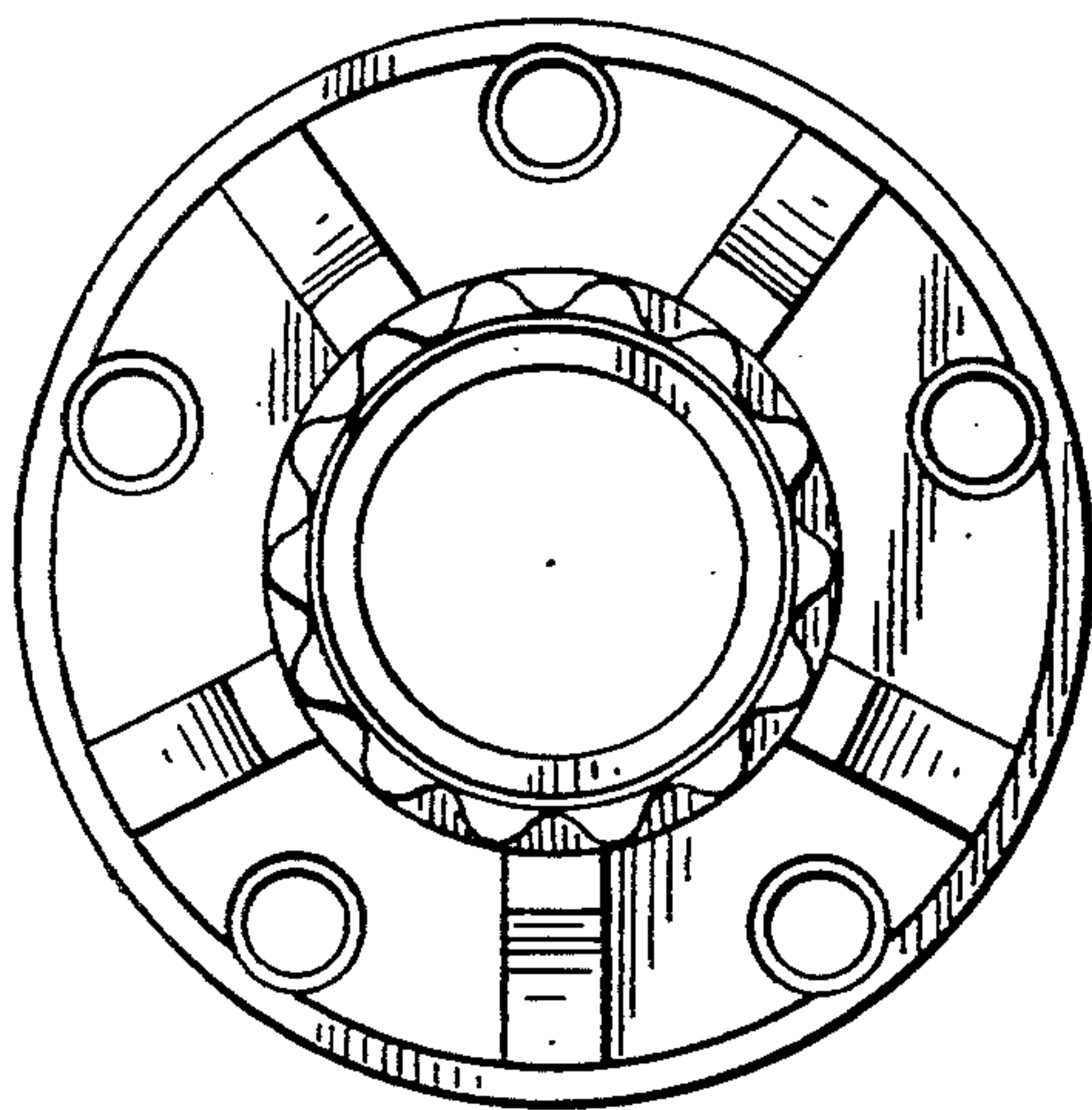


FIG. 3

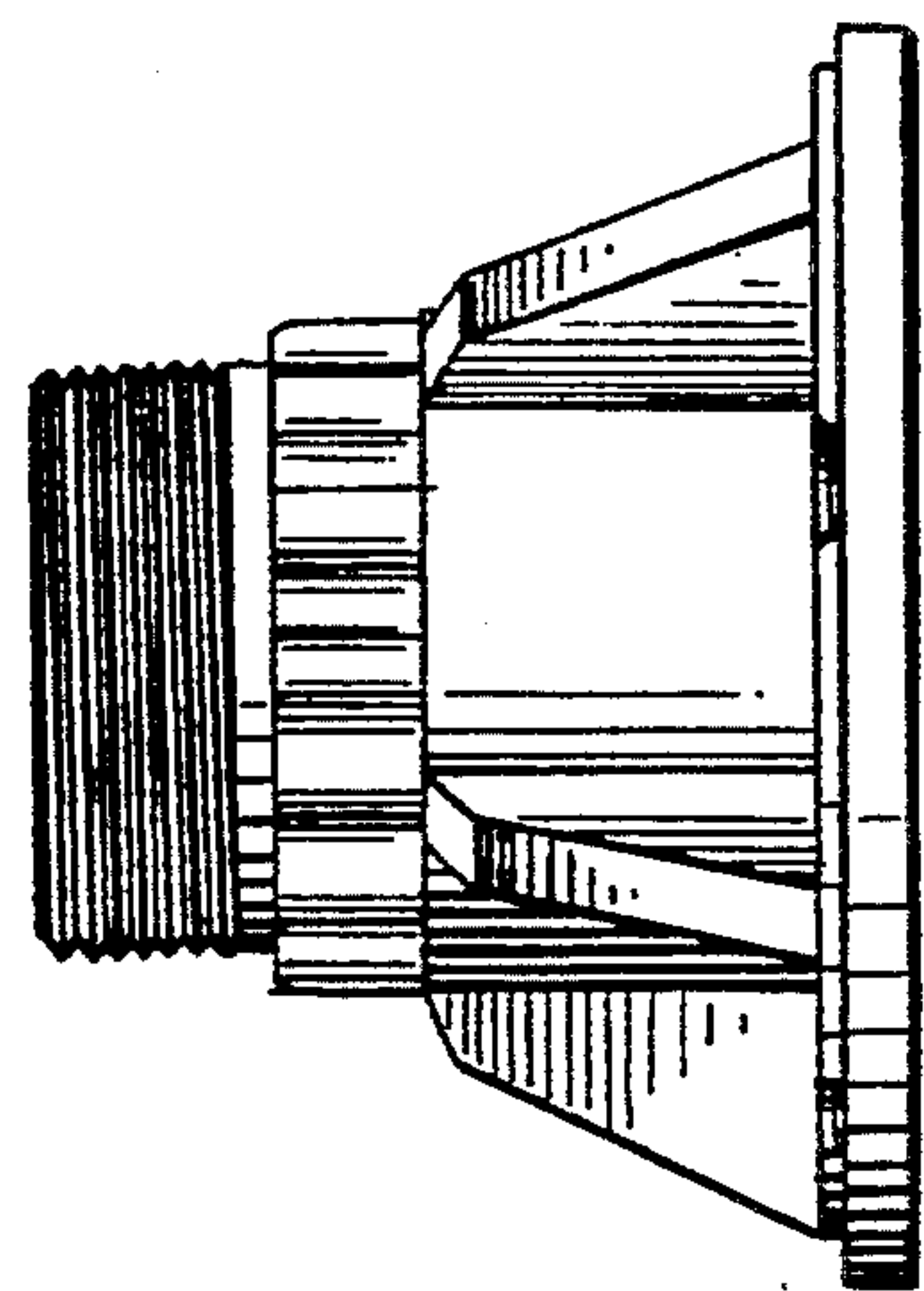


FIG. 4

