



US00D359018S

United States Patent [19]

[11] Patent Number: **Des. 359,018**

Thigpen

[45] Date of Patent: **** Jun. 6, 1995**

[54] **TRAILER BALL HITCH COVER KIT**

Primary Examiner—James M. Gandy
Assistant Examiner—M. Brown
Attorney, Agent, or Firm—Richard Litman

[76] Inventor: **James R. Thigpen**, 515 N. Fawn Ct.,
Murfreesboro, Tenn. 37129

[57] **CLAIM**

[**] Term: **14 Years**

The ornamental design for a trailer ball hitch cover kit,
as shown and described.

[21] Appl. No.: **6,320**

DESCRIPTION

[22] Filed: **Mar. 25, 1993**

[52] U.S. Cl. **D12/162**

[58] Field of Search **D12/162; D29/12, 14,
D29/15; 280/507, 511, 477**

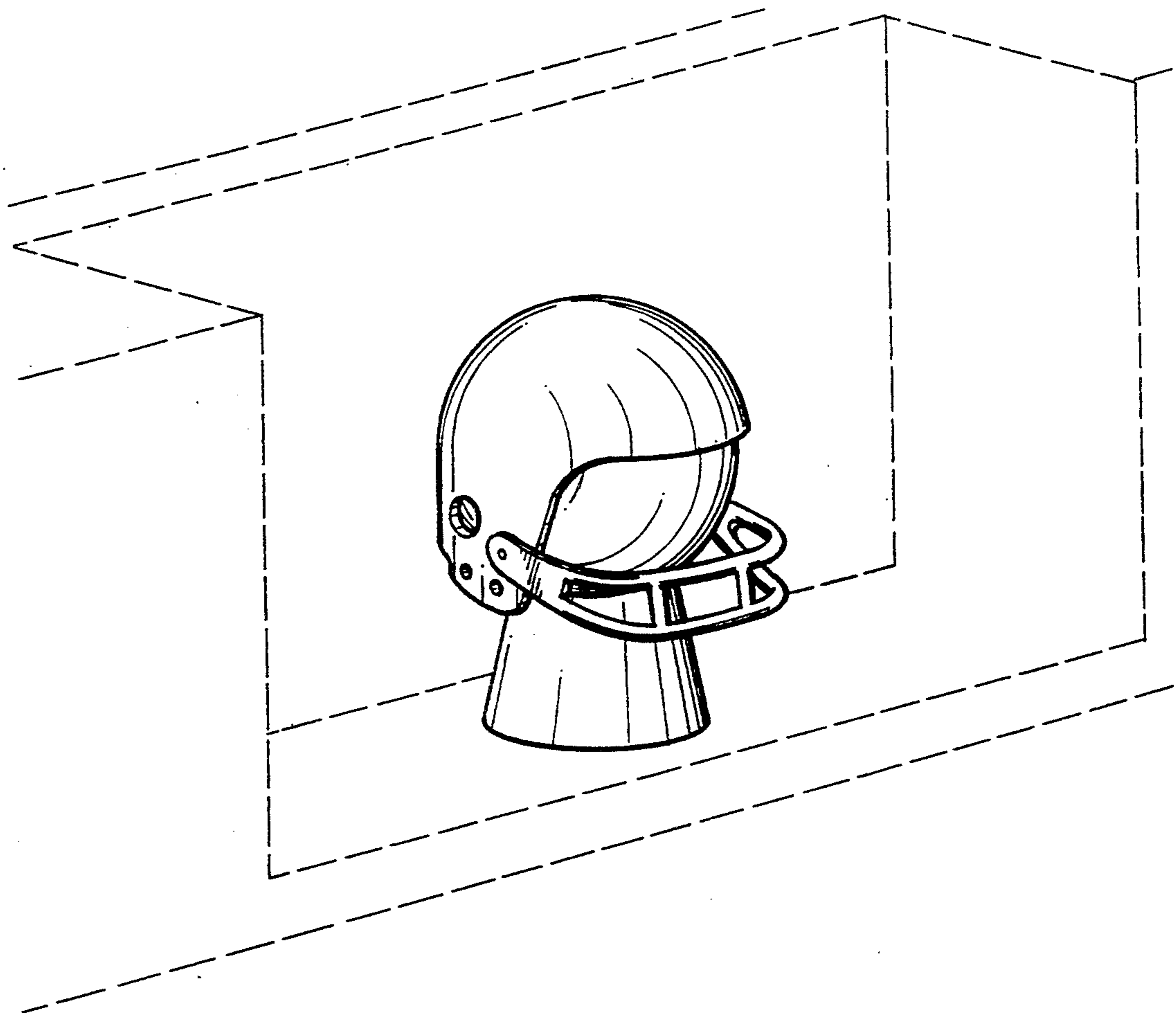
FIG. 1 is an environmental perspective view of a trailer ball hitch cover kit showing my new design;
FIG. 2 is a front elevational view of the head element with the helmet element removed, the rear, the right side, and the left side being a mirror image thereof;
FIG. 3 is a top view thereof;
FIG. 4 is a bottom view thereof;
FIG. 5 is a front elevational view of the helmet element;
FIG. 6 is a rear elevational view thereof;
FIG. 7 is a top view thereof;
FIG. 8 is a left side elevational view with the right side being a mirror image thereof; and,
FIG. 9 is a bottom view thereof.

[56] **References Cited**

U.S. PATENT DOCUMENTS

D. 317,890	7/1991	Buchmann	D12/162
D. 335,880	6/1993	Drummond	D12/162
D. 344,257	2/1994	Eppard	D12/162
3,228,445	1/1966	Mayotte	280/507
3,596,926	8/1971	Randall	280/507
4,738,293	4/1988	Ostrom et al.	280/507
4,861,062	8/1989	Stidsen	280/507
4,955,968	9/1990	Beckerer, Jr.	280/507
5,037,122	8/1991	Beckerer, Jr.	280/507

The broken line showing of the vehicle bumper is for illustrative purposes only and forms no part of the claimed design.



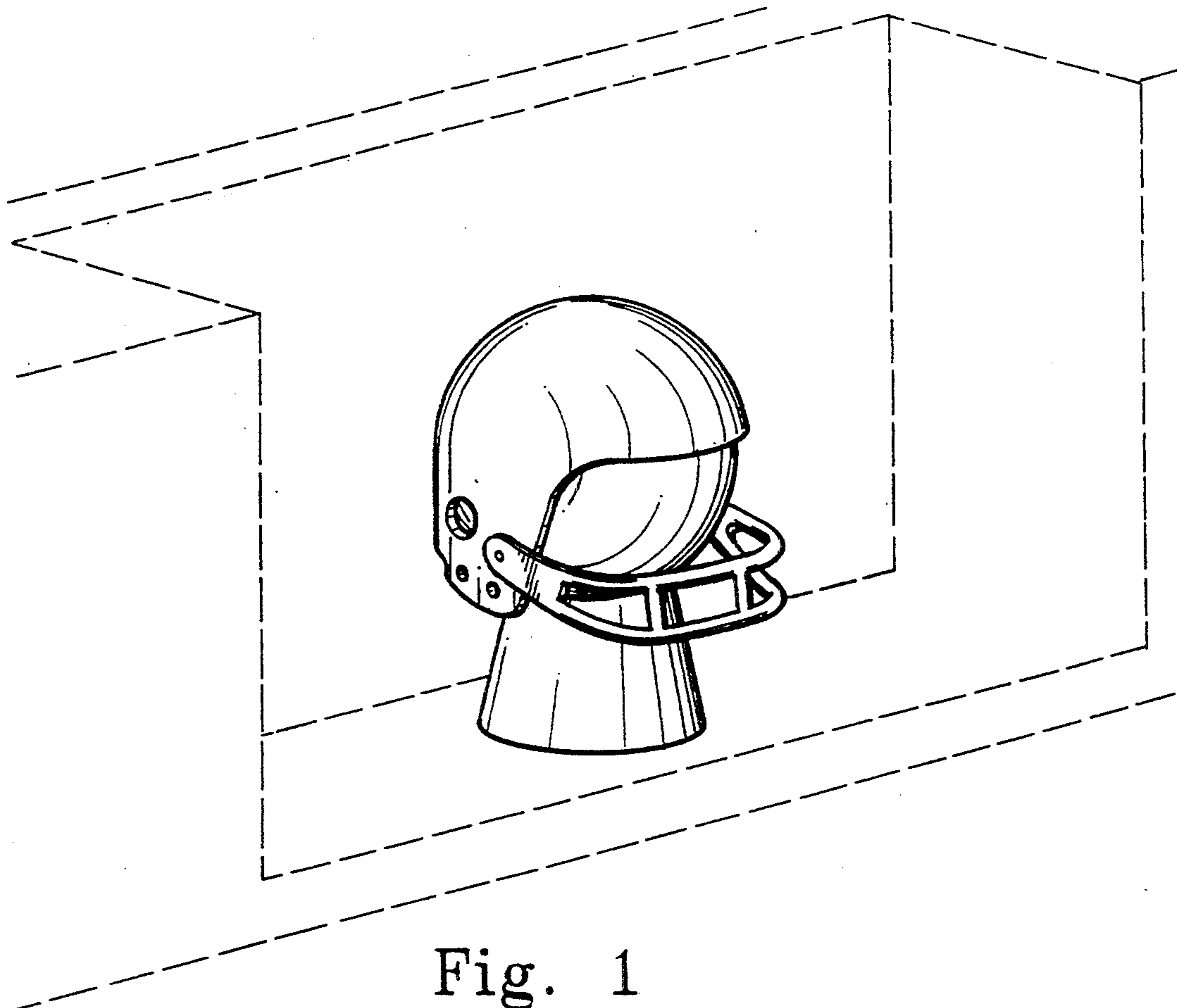


Fig. 1

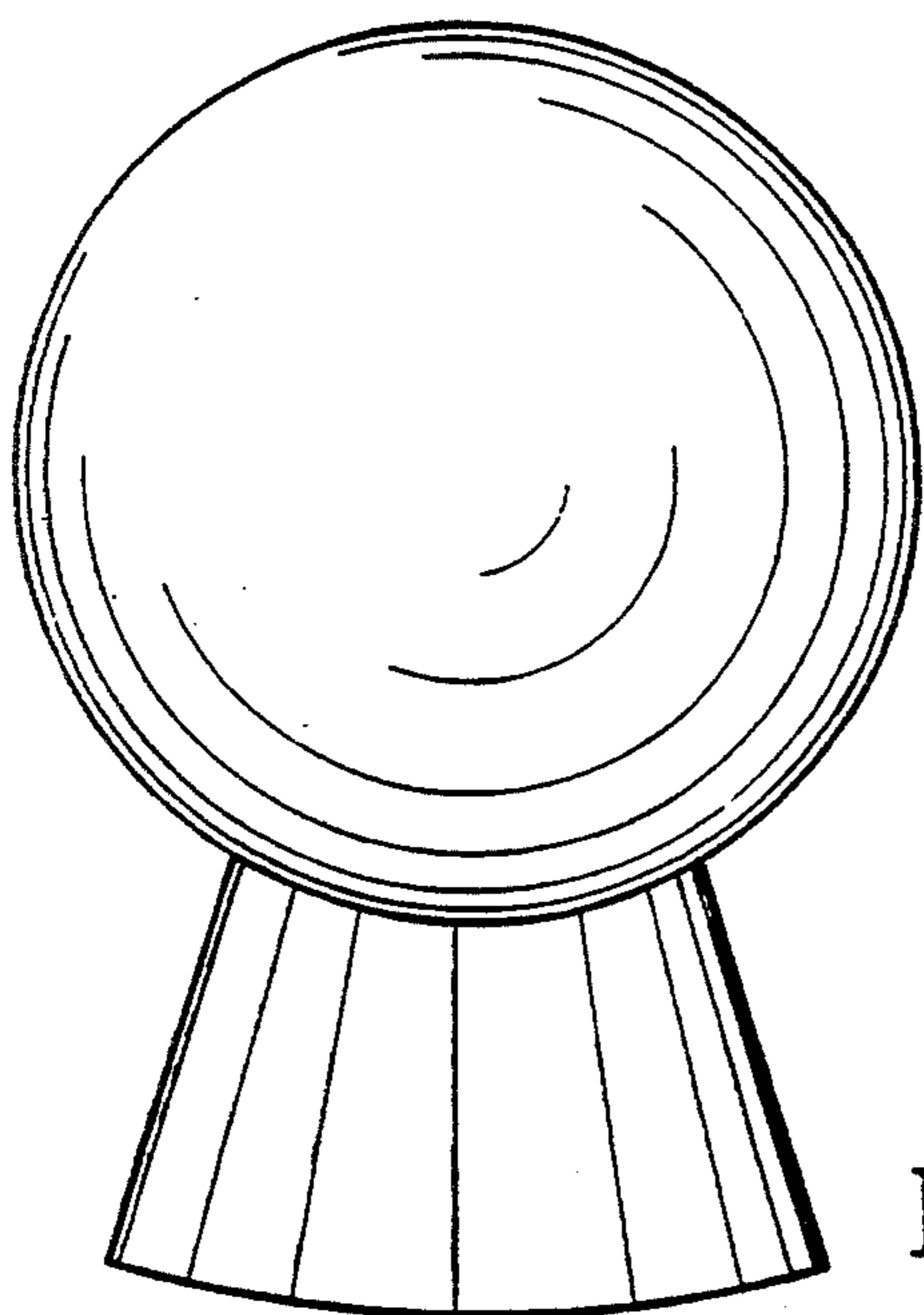


Fig. 2

Fig. 3

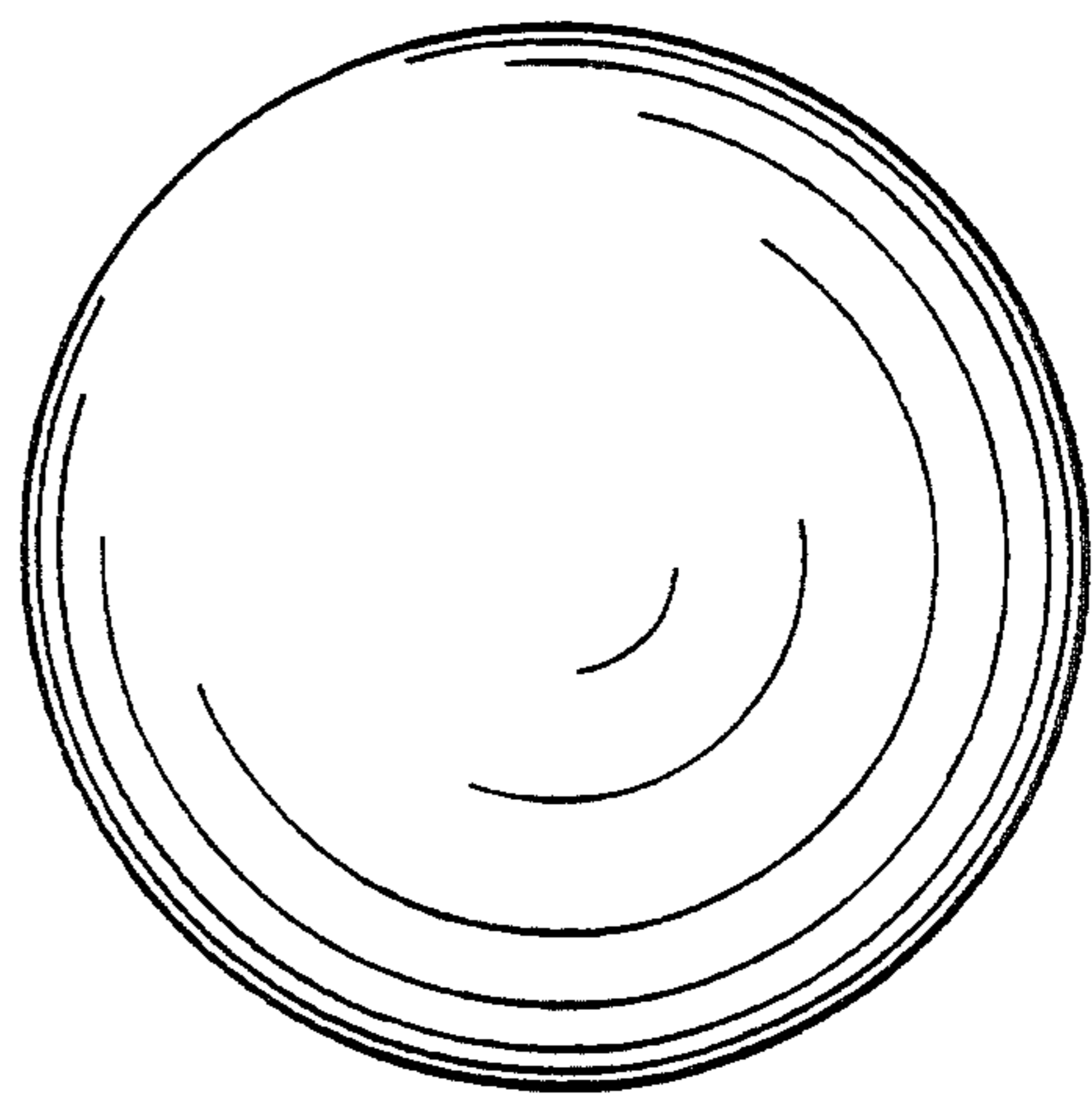


Fig. 4

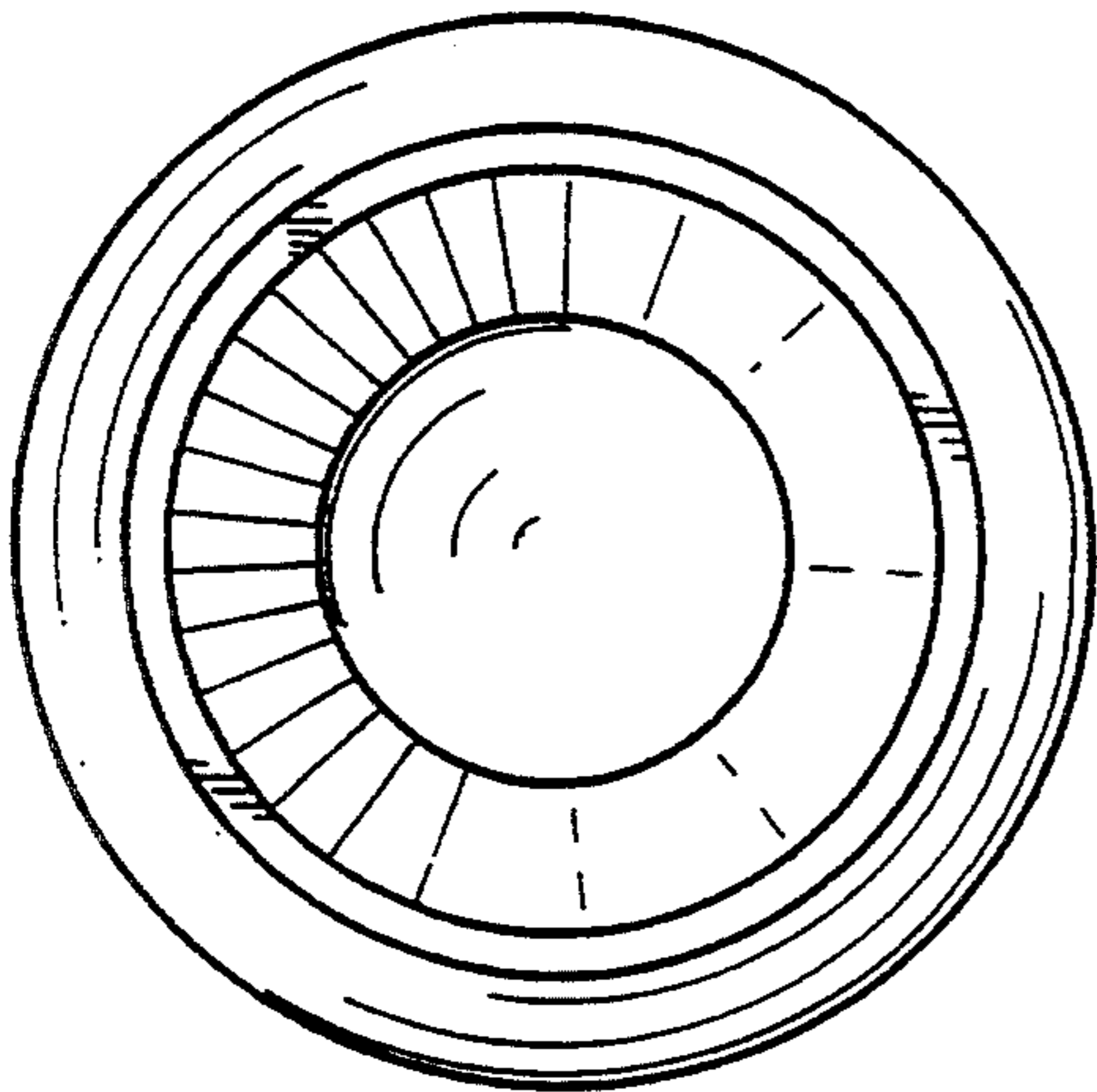


Fig. 5

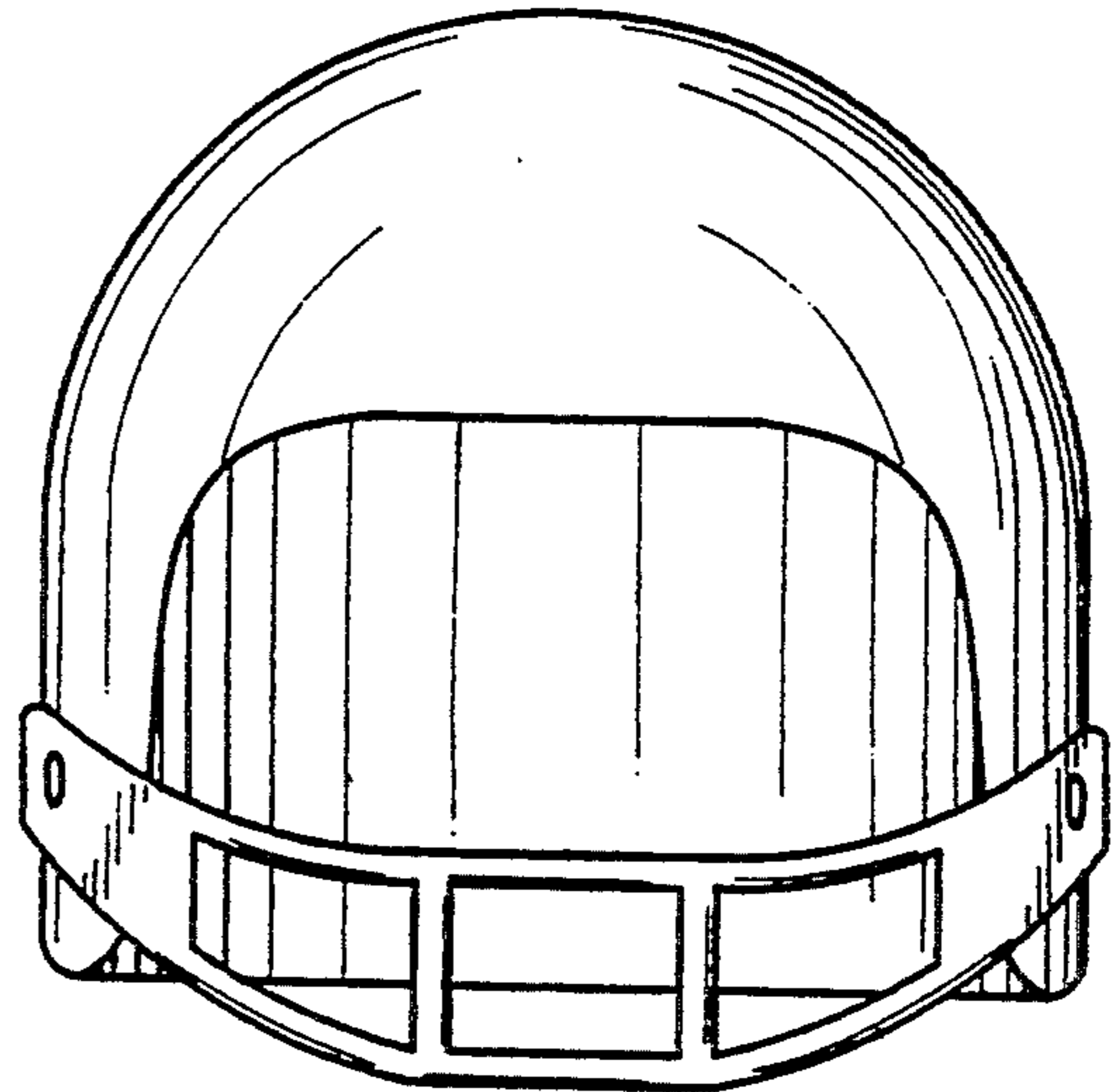


Fig. 6

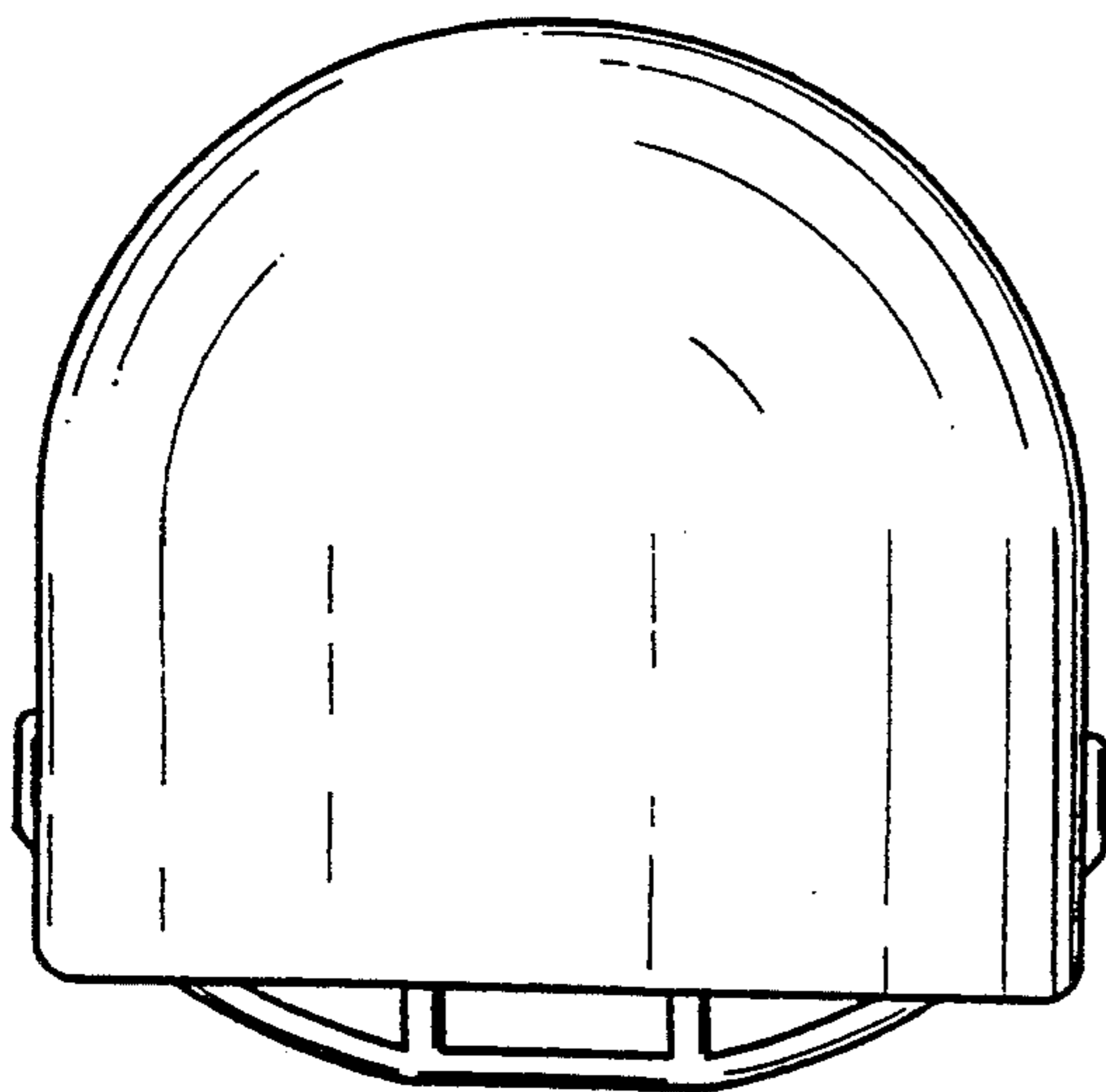


Fig. 7

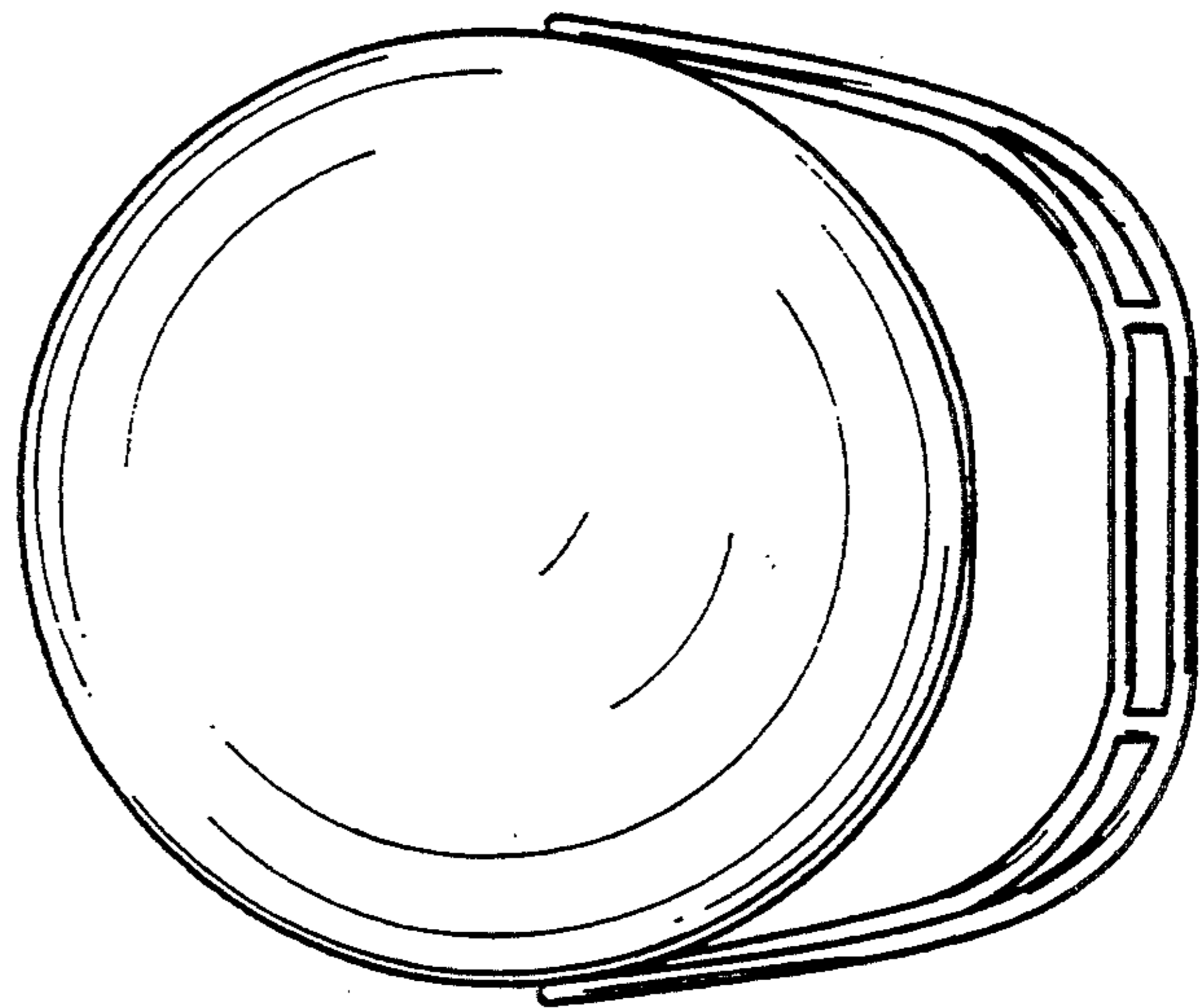


Fig. 8

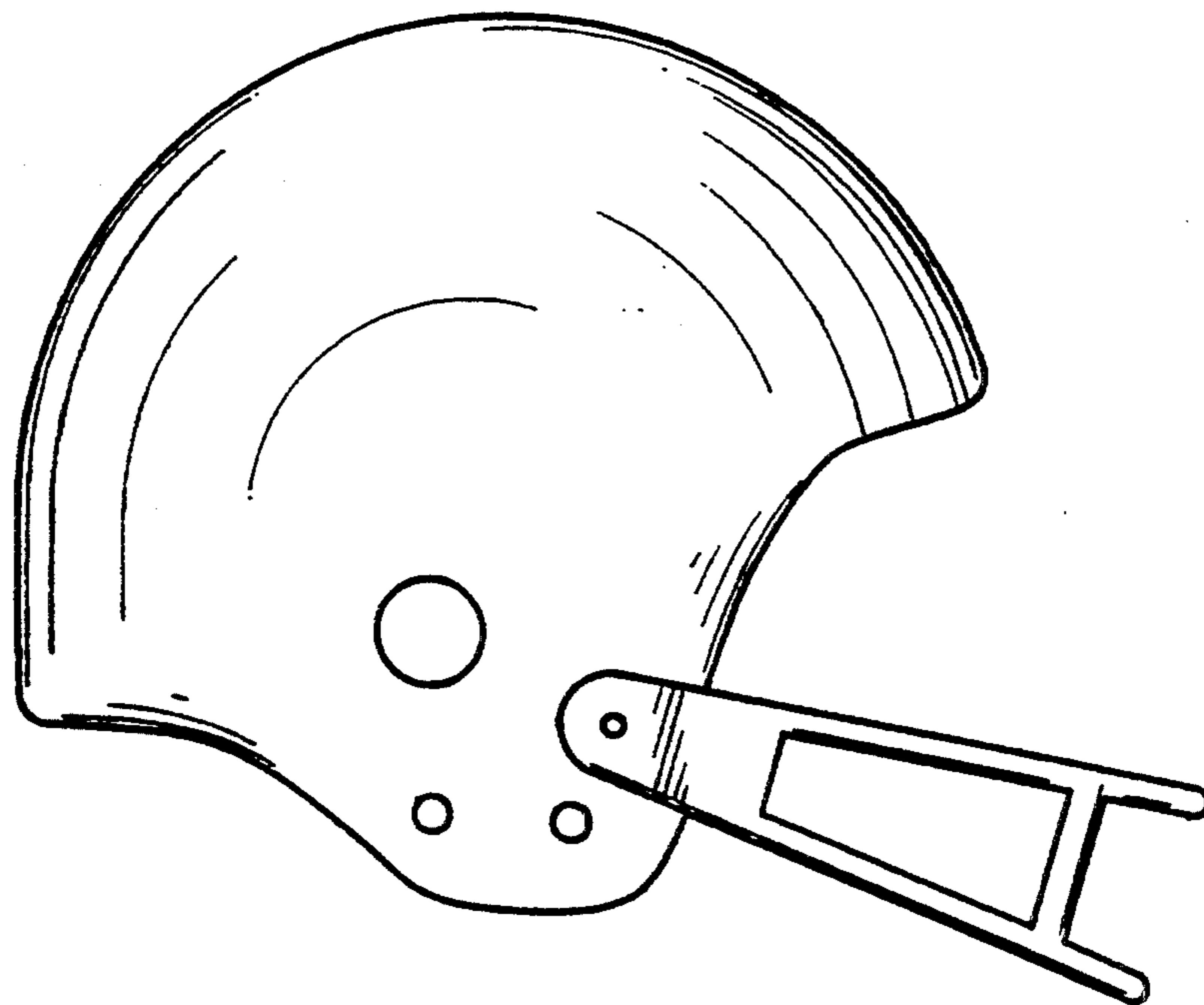


Fig. 9

