



US00D359016S

United States Patent [19]

[11] Patent Number: **Des. 359,016**

Johansson

[45] Date of Patent: **** Jun. 6, 1995**

[54] **WHEELCHAIR BASE FRAME**

[75] Inventor: **Sven Johansson, Borås, Sweden**

[73] Assignee: **Boras Elektrotekniska Verkstad, Sjöstrand & Johansson AB, Sweden**

[**] Term: **14 Years**

[21] Appl. No.: **6,799**

[22] Filed: **Apr. 7, 1993**

[30] **Foreign Application Priority Data**

Oct. 8, 1992 [SE] Sweden 922075

[52] U.S. Cl. **D12/133; D12/131**

[58] Field of Search **D12/128, 133, 131; 280/425, 280.1; 297/DIG. 4**

[56] **References Cited**

U.S. PATENT DOCUMENTS

D. 294,476 3/1988 Michel et al. **D12/131**

Primary Examiner—**Kay H. Chin**

Attorney, Agent, or Firm—**Klarquist Sparkman Campbell Leigh & Whinston**

[57] **CLAIM**

The ornamental design for a wheelchair base frame, as shown and described.

DESCRIPTION

FIG. 1 is a planar view of my wheelchair base frame, shown from above;

FIG. 2 is a perspective view of my wheelchair base frame, shown obliquely from the rear side and slightly from above;

FIG. 3 is a side view of my wheelchair base frame, from the right side;

FIG. 4 is a planar view of my wheelchair base frame, shown from below, and from the opposite side as compared to the view shown in FIG. 1.

FIG. 5 is a front view of my wheelchair base frame; and,

FIG. 6 is a side view of my wheelchair base frame, from the left side, and from the opposite side as compared to the view shown in FIG. 3.

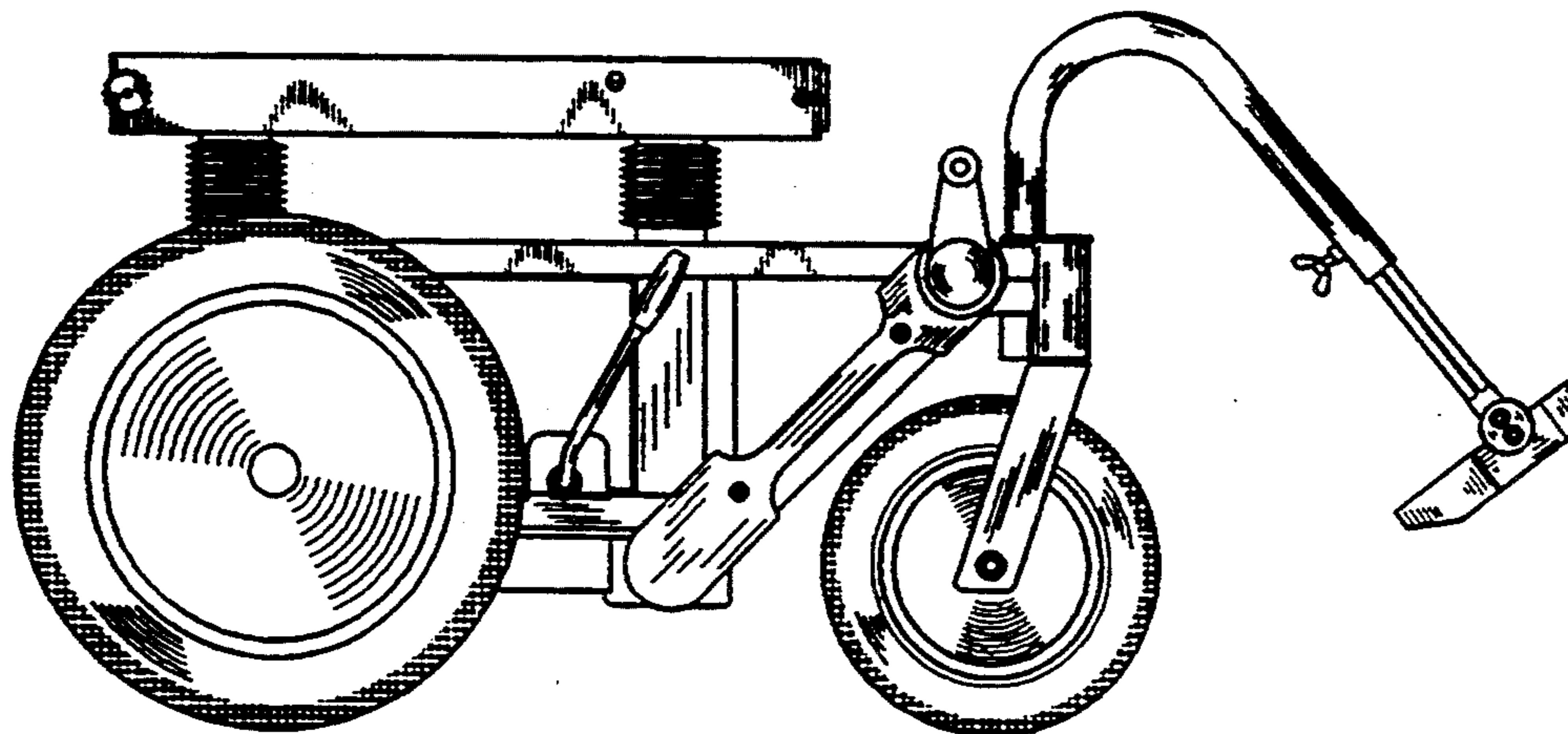


FIG. 1

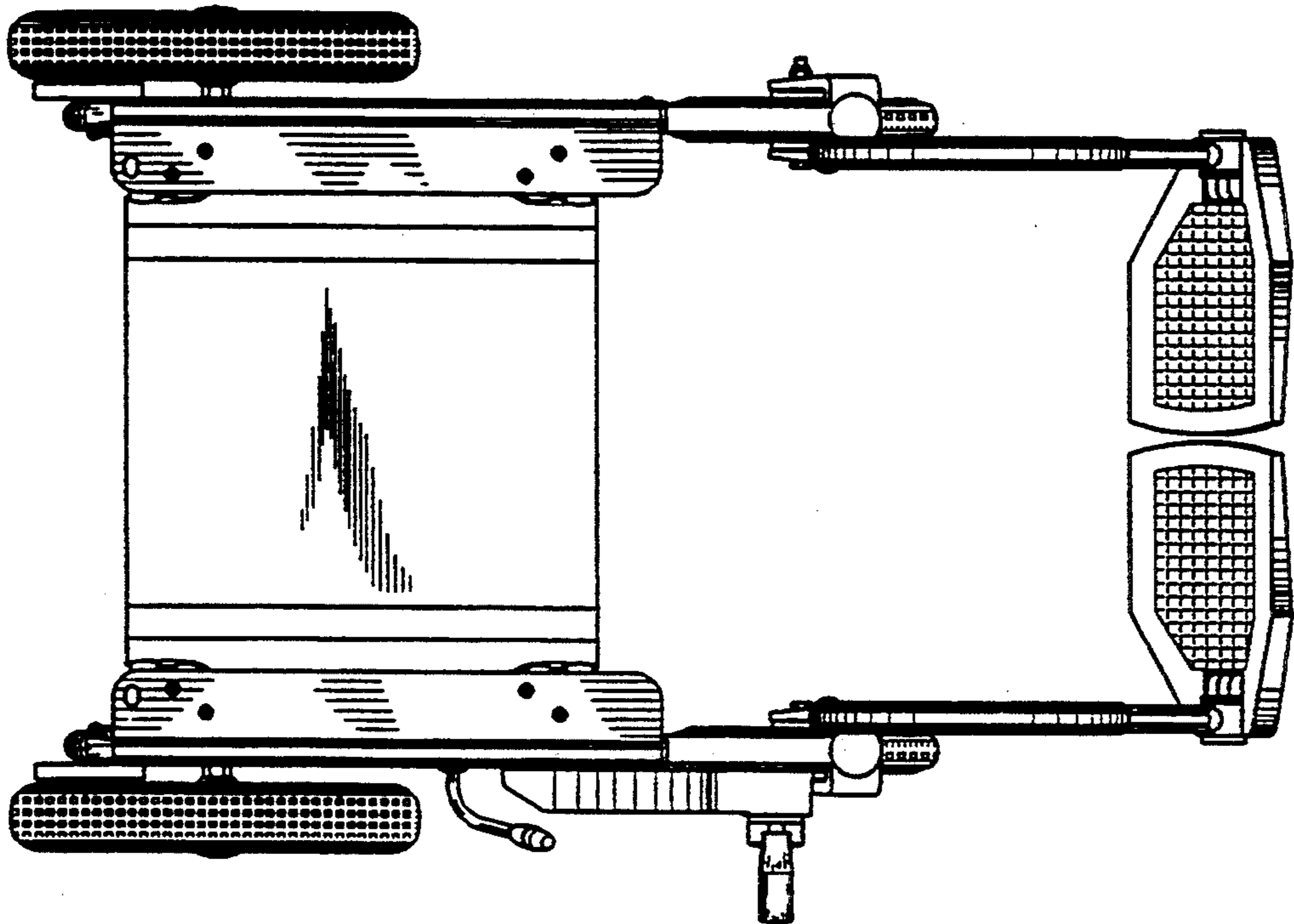


FIG. 2

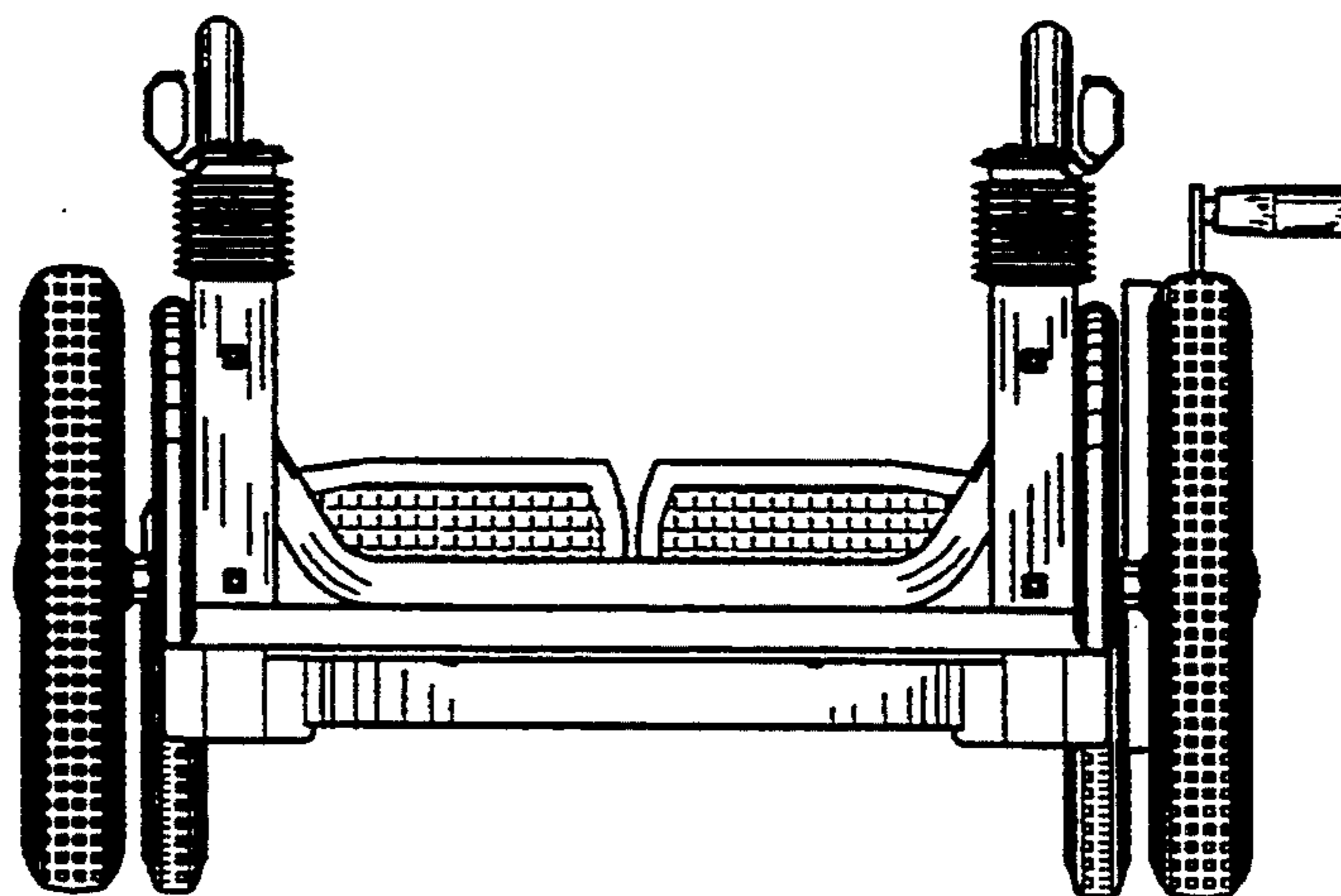


FIG. 3

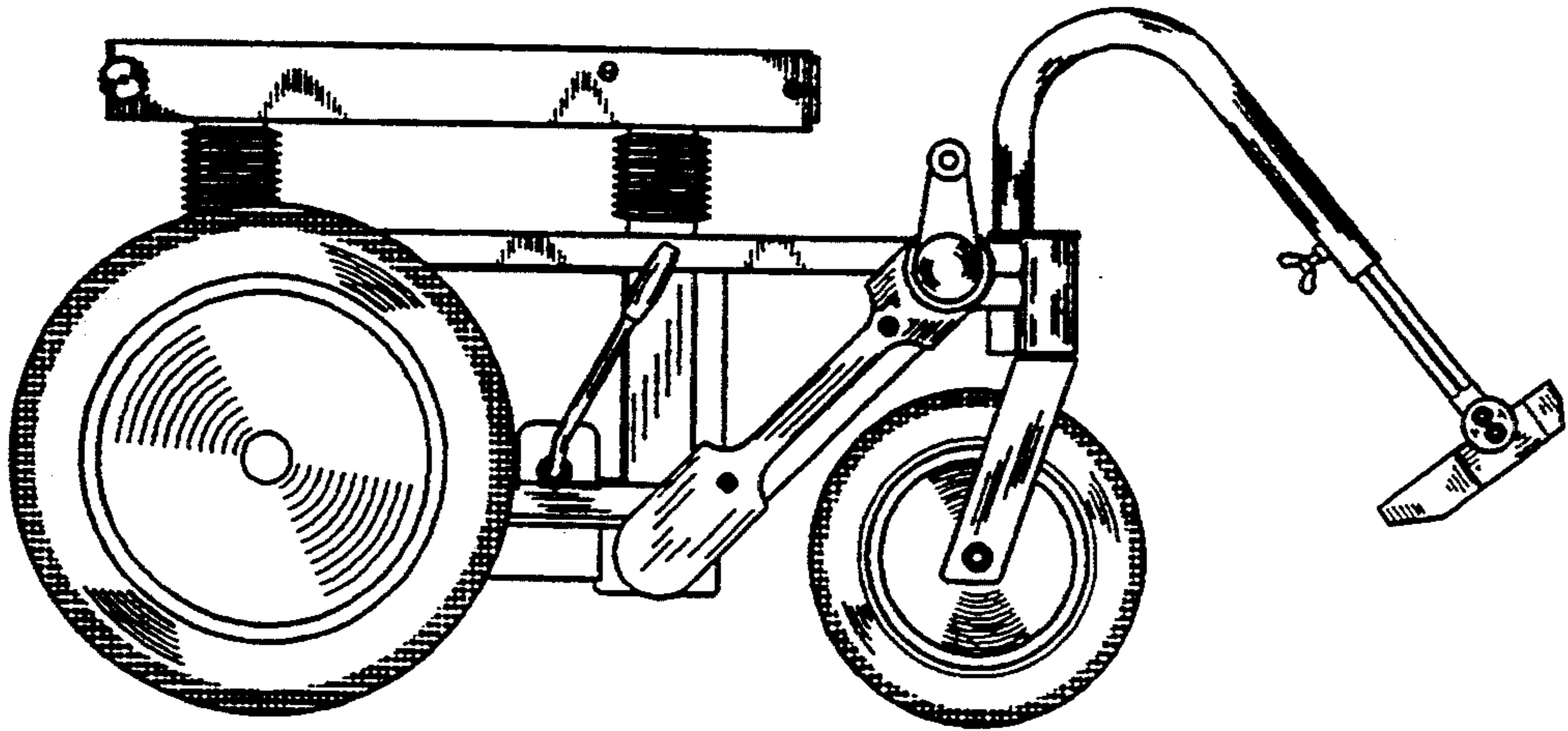


FIG. 4

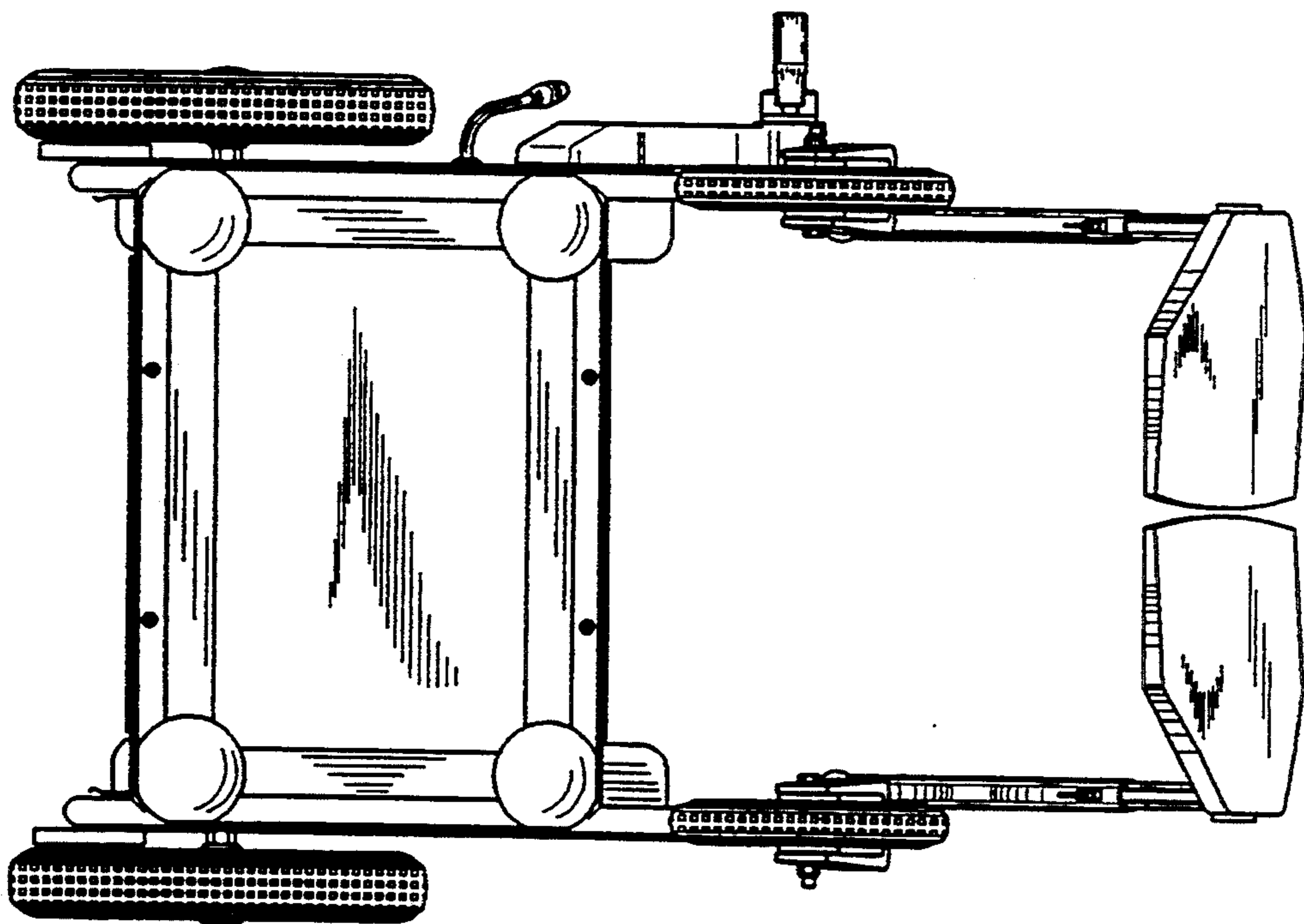


FIG. 5

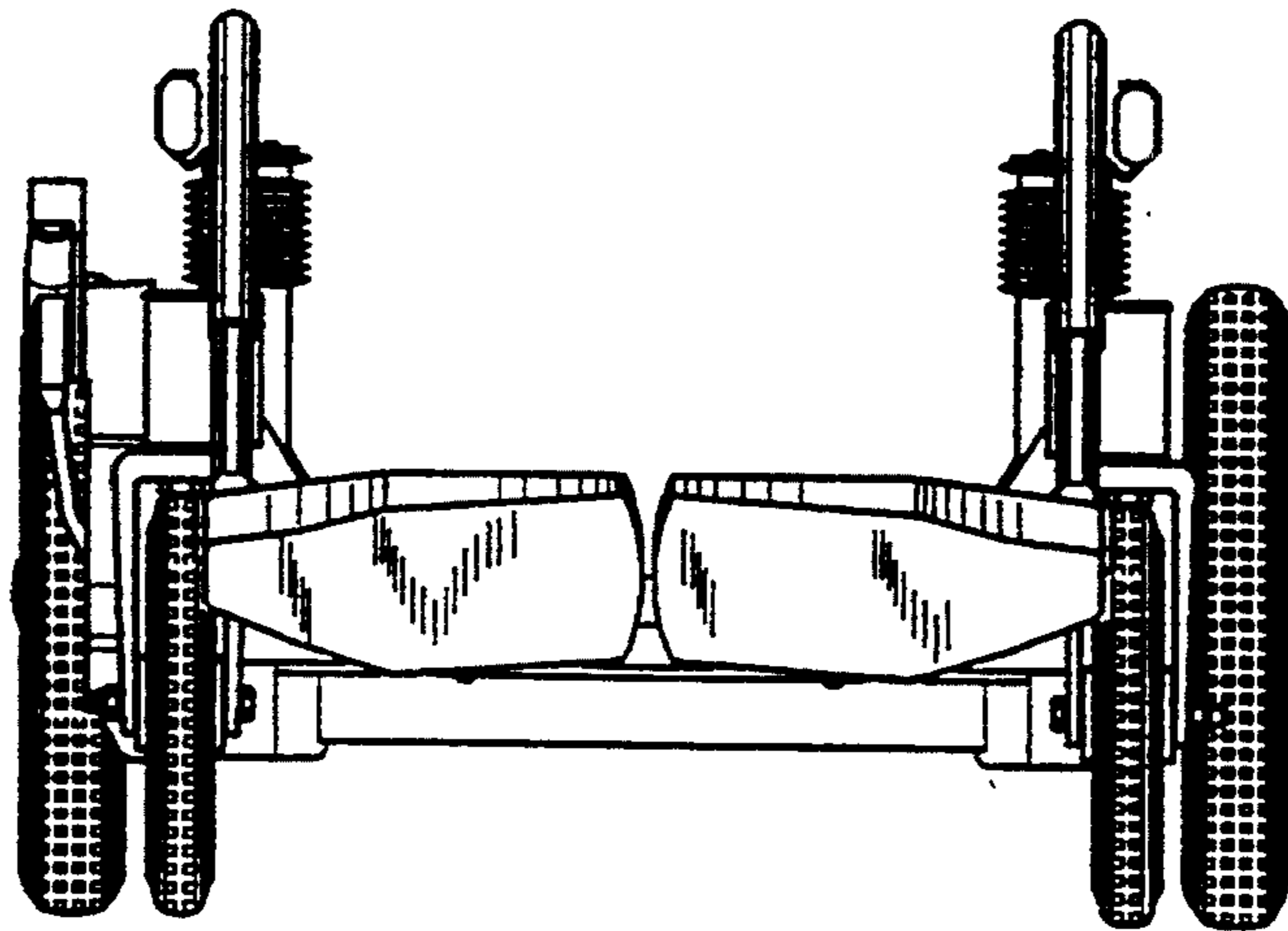


FIG. 6

