



US00D359015S

United States Patent [19]

[11] Patent Number: **Des. 359,015**

Wang

[45] Date of Patent: **** Jun. 6, 1995**

[54] STROLLER

[56] References Cited

U.S. PATENT DOCUMENTS

[75] Inventor: **Frank Wang**, Tainan, Taiwan, Prov. of China

4,907,818 3/1990 Chai 280/650
5,205,577 4/1993 Liu 280/642

[73] Assignee: **Ho Wei Juvenile Products, Ltd.**, Tainan, Taiwan, Prov. of China

Primary Examiner—Kay H. Chin
Attorney, Agent, or Firm—Morgan & Finnegan

[**] Term: **14 Years**

[57] CLAIM

The ornamental design for a stroller, as shown and described.

[21] Appl. No.: **19,885**

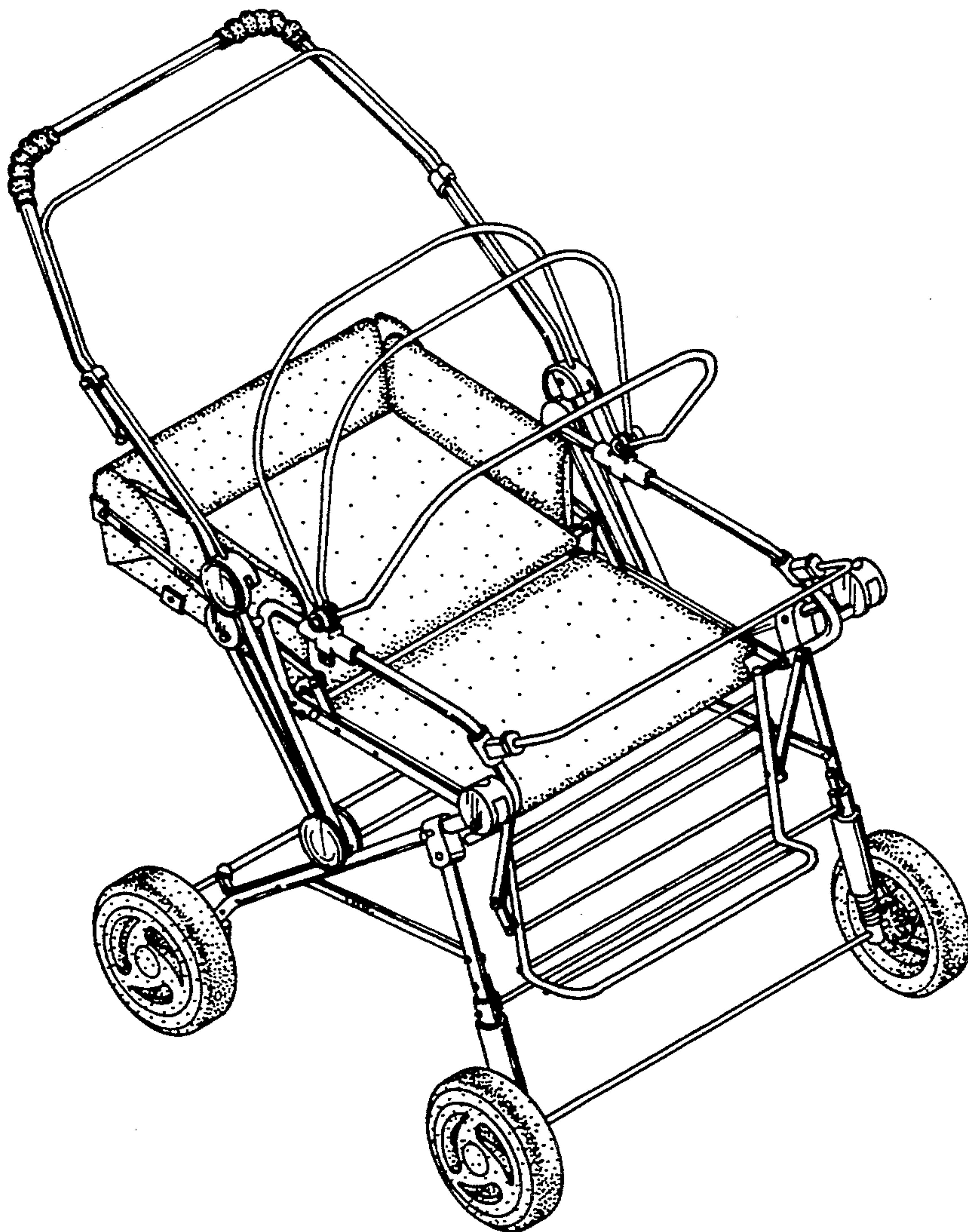
DESCRIPTION

[22] Filed: **Mar. 11, 1994**

[52] U.S. Cl. **D12/129; D12/128**

[58] Field of Search **D12/128, 129; 280/642, 280/650, 643, 47.38, 658, 647**

FIG. 1 is a perspective view of stroller showing my new design;
FIG. 2 is a front elevational view thereof;
FIG. 3 is a rear elevational view thereof;
FIG. 4 is a left side elevational view thereof;
FIG. 5 is a right side elevational view thereof;
FIG. 6 is a top plan view thereof; and,
FIG. 7 is a bottom plan view thereof.



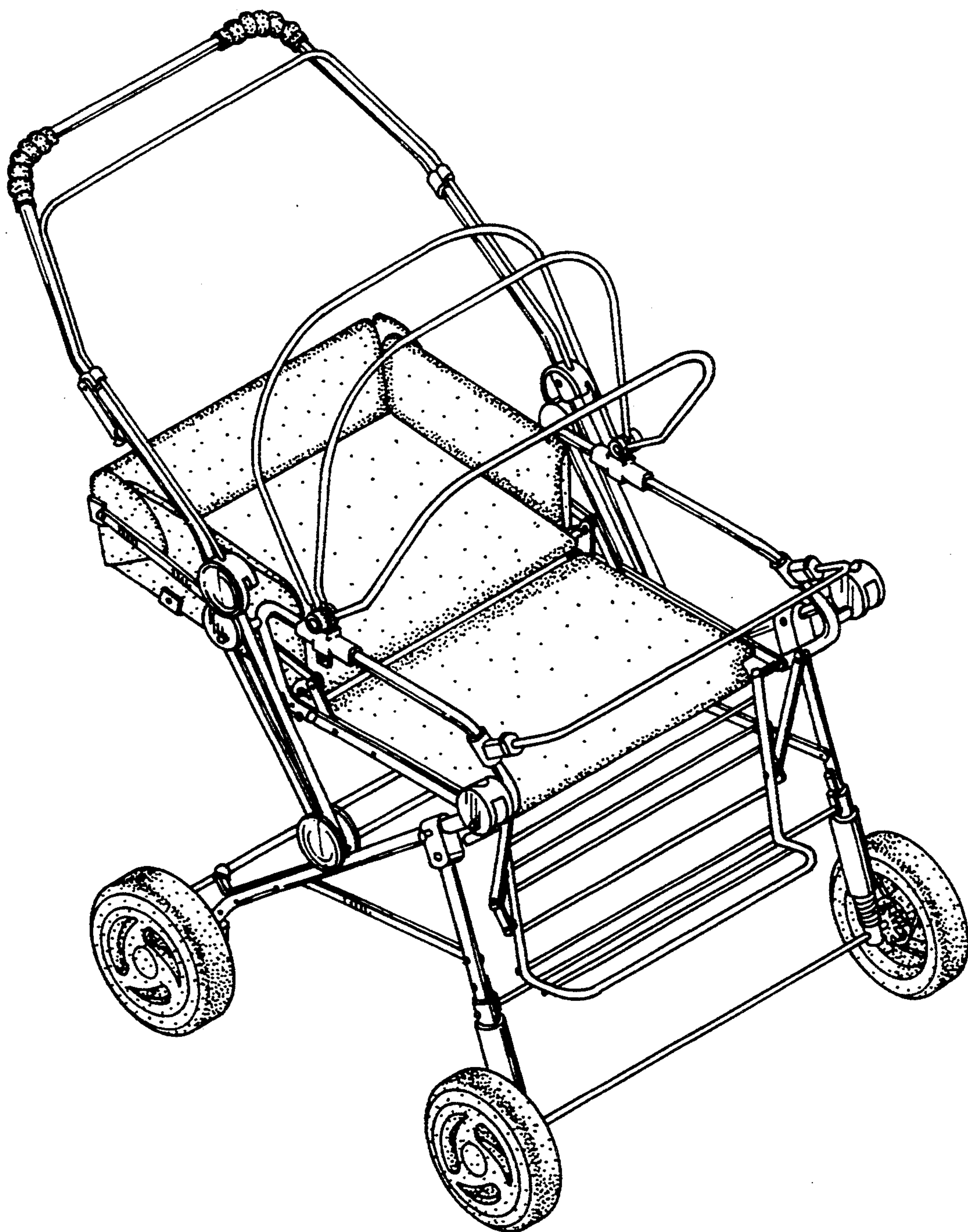


FIG. 1

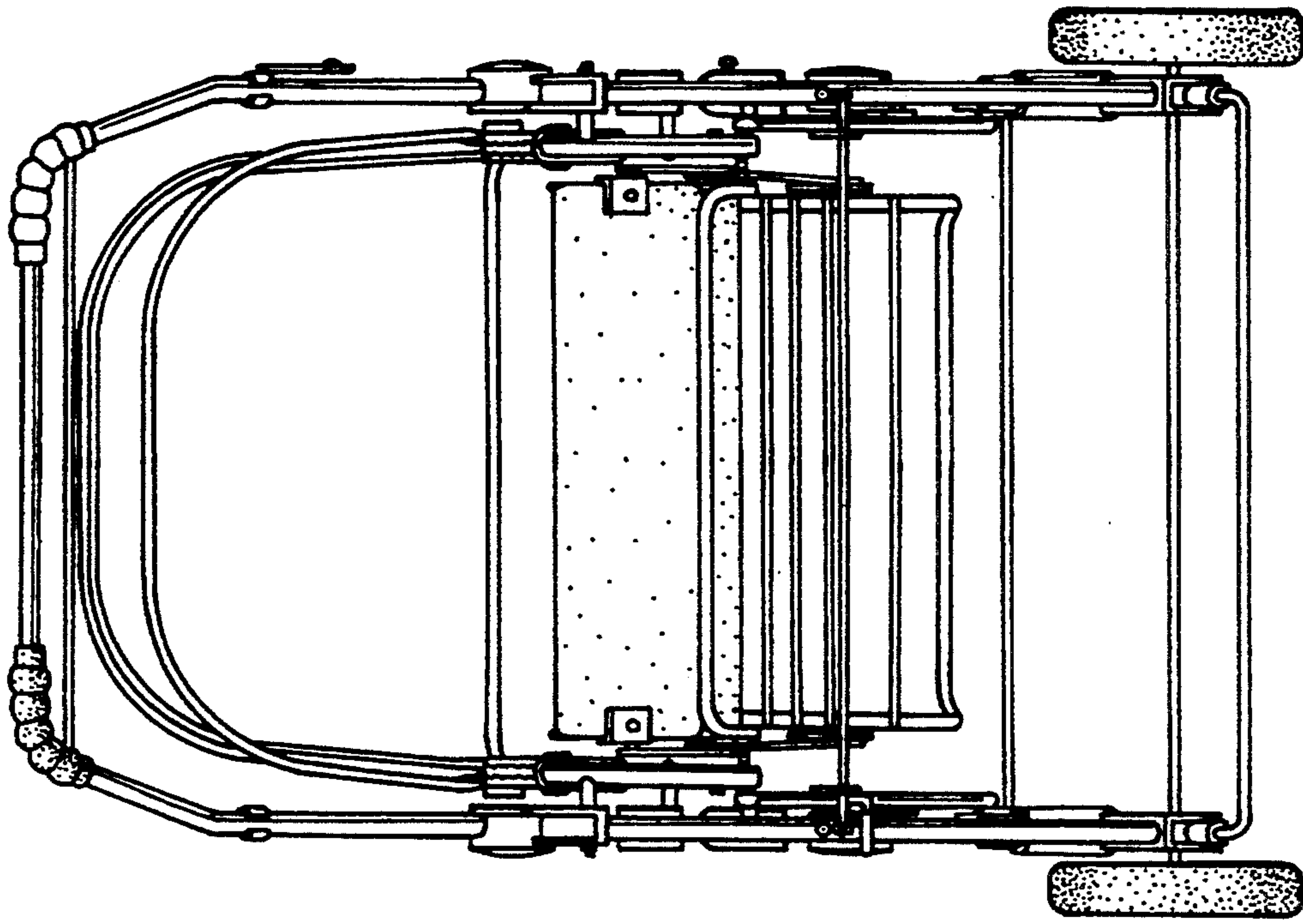


FIG.3

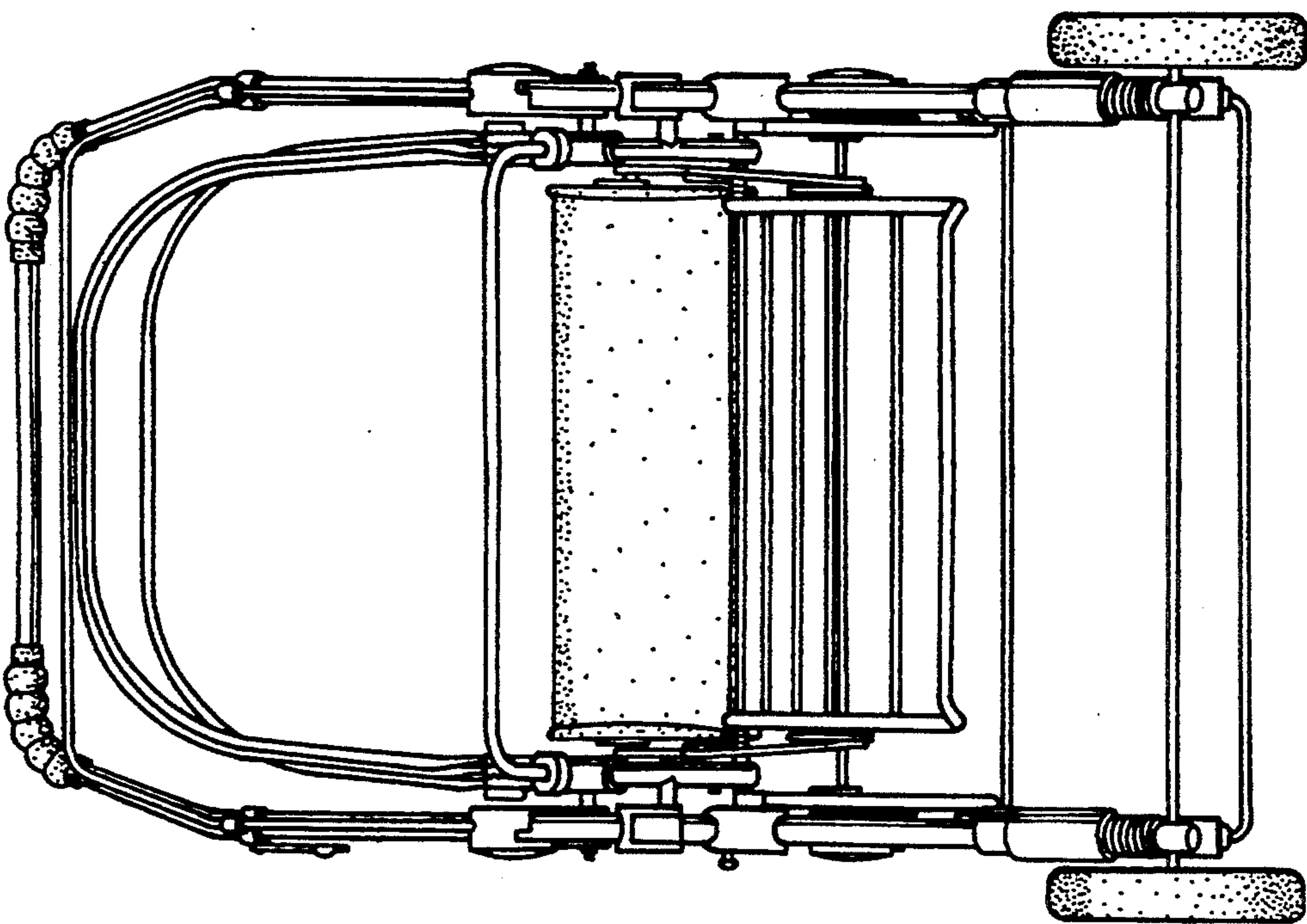


FIG.2

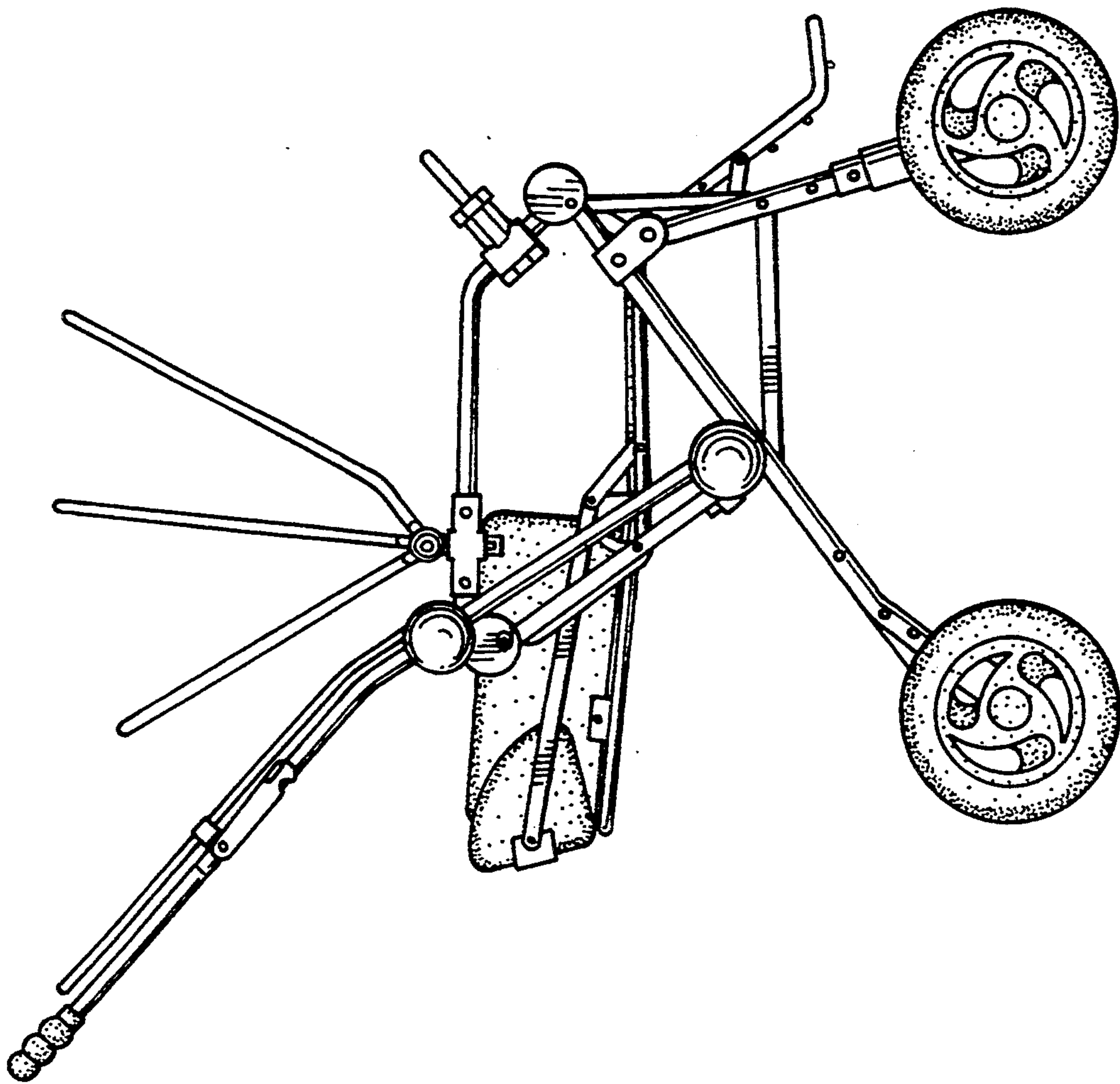


FIG.4

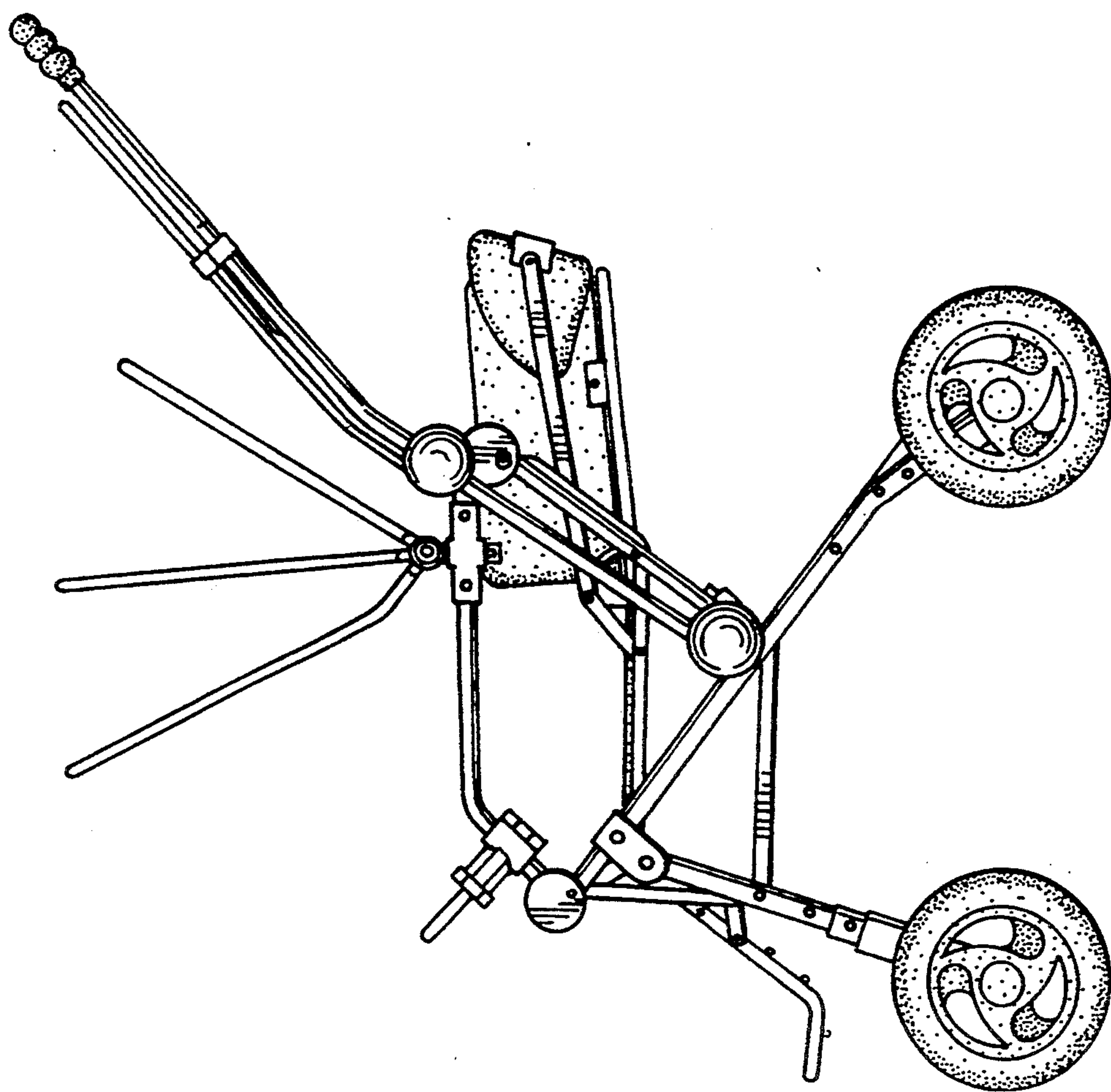


FIG. 5

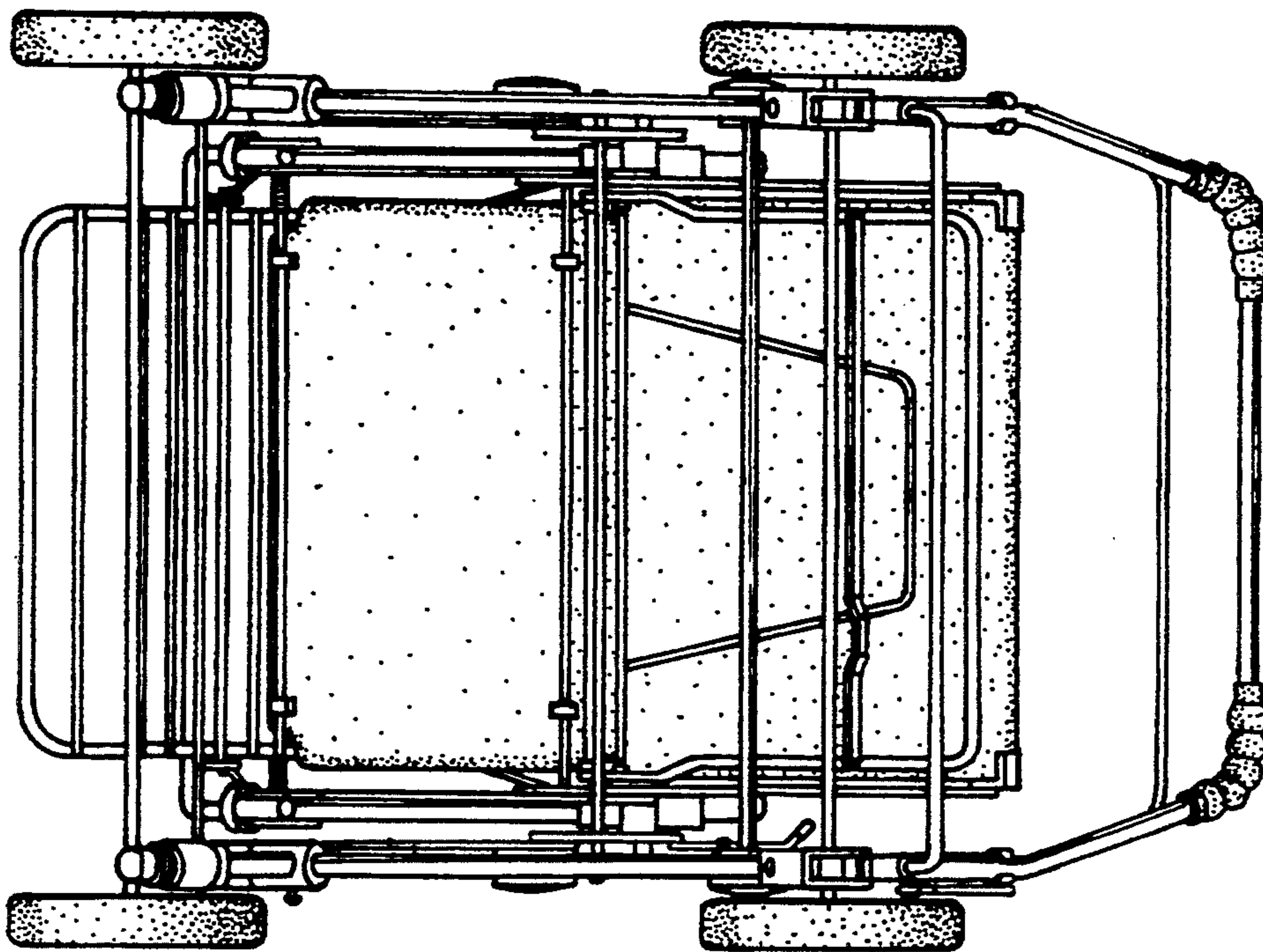


FIG. 7

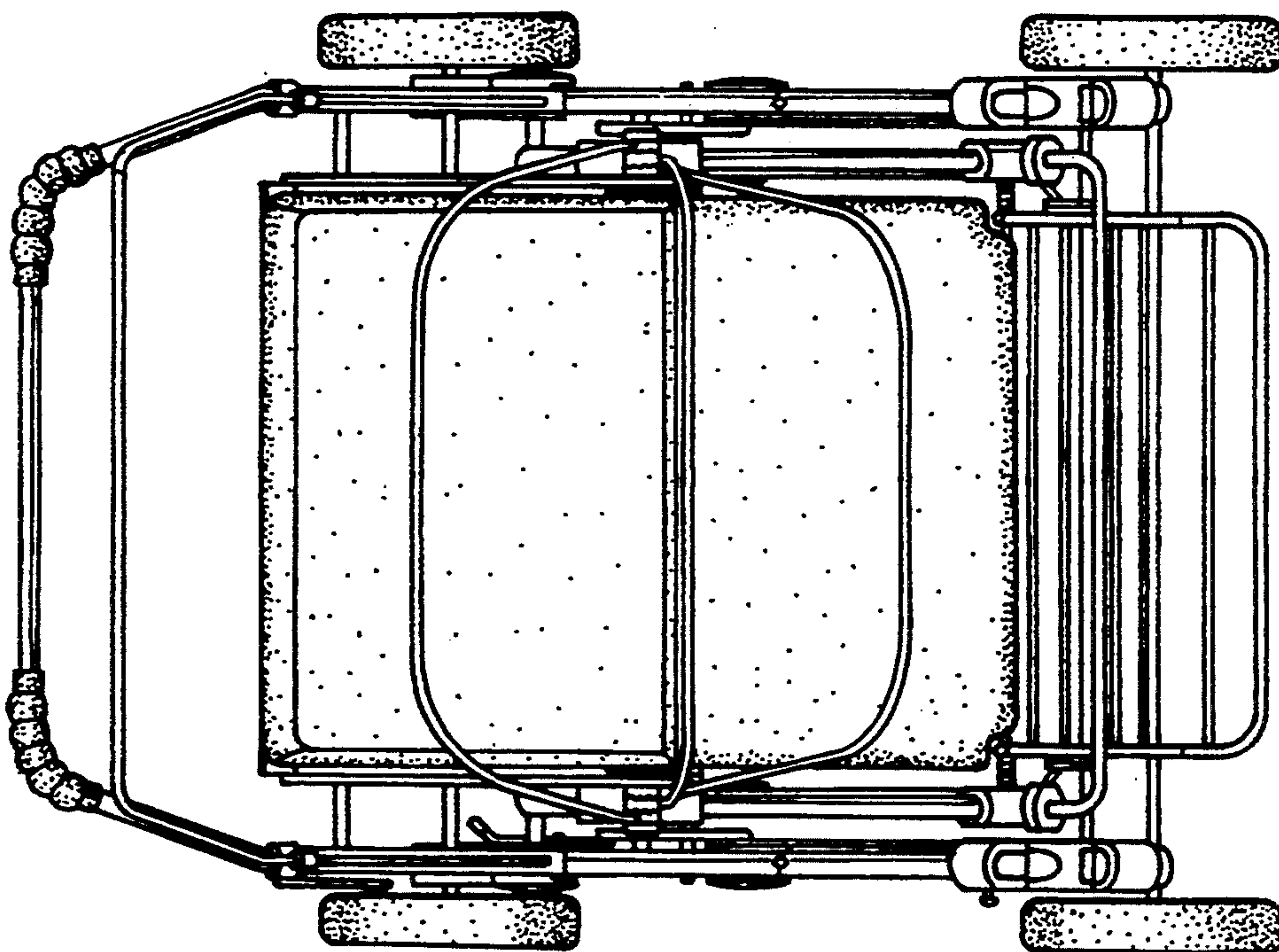


FIG. 6