



US00D359008S

# United States Patent [19]

[11] Patent Number: Des. 359,008

Sandell et al.

[45] Date of Patent: \*\* Jun. 6, 1995

[54] MOUNTING PLATE FOR A PASSIVE INFRARED MOTION DETECTOR WITH LIGHT FIXTURE

[75] Inventors: Donald R. Sandell, San Jose; Wade Lee, Lafayette, both of Calif.

[73] Assignee: Intellectron Products Company, Hayward, Calif.

[\*\*] Term: 14 Years

[21] Appl. No.: 22,879

[22] Filed: May 13, 1994

[52] U.S. Cl. .... D10/106

[58] Field of Search ..... D10/104, 106, 114, 116, D10/121; 340/521, 540, 541, 543, 544, 545, 546, 555, 556, 557, 565

[56] **References Cited**

**U.S. PATENT DOCUMENTS**

D. 277,558	2/1985	Mallory	.....	D10/106
D. 335,467	5/1993	Cheng	.....	D10/106
D. 338,845	8/1993	Rohrs	.....	D10/106
D. 342,334	12/1993	Vakil	.....	D10/114

**OTHER PUBLICATIONS**

"Regent Motion Activated," Product promotional literature, Regent Lighting Corporation prior to May 13, 1994.

"First Alert Home Safety Products," Motion Sensors section, Product promotional literature, First Alert prior to May 13, 1994.

"First Alert Home and Office Lighting Controls, Motion Sensors," Product promotional literature, First Alert prior to May 13, 1994.

"Products for Home Security, Home Safety, Home

Convenience," Product promotional literature, Tahoe Products, Inc. prior to May 13, 1994

"Infrared Motion detector Models 1290 & 1291," Product promotional literature, Woods Wire Products, Inc., 1988.

"Gotcha! The Motion Activated Lighting System," Product flier, Gotcha! by LightForce prior to May 13, 1994.

"Nite-Secure Motion Sensor Light Control," Product promotional literature, Galaxy Electrical Mfg., Inc., 1992.

"Night Patrol Security Light," Product flier, Orient Resources, Inc. prior to May 13, 1994.

*Primary Examiner*—James M. Gandy

*Assistant Examiner*—Marcus Jackson

*Attorney, Agent, or Firm*—Elliot B. Aronson

[57] **CLAIM**

The ornamental design for a mounting plate for a passive infrared motion detector with light fixture, as shown and described.

**DESCRIPTION**

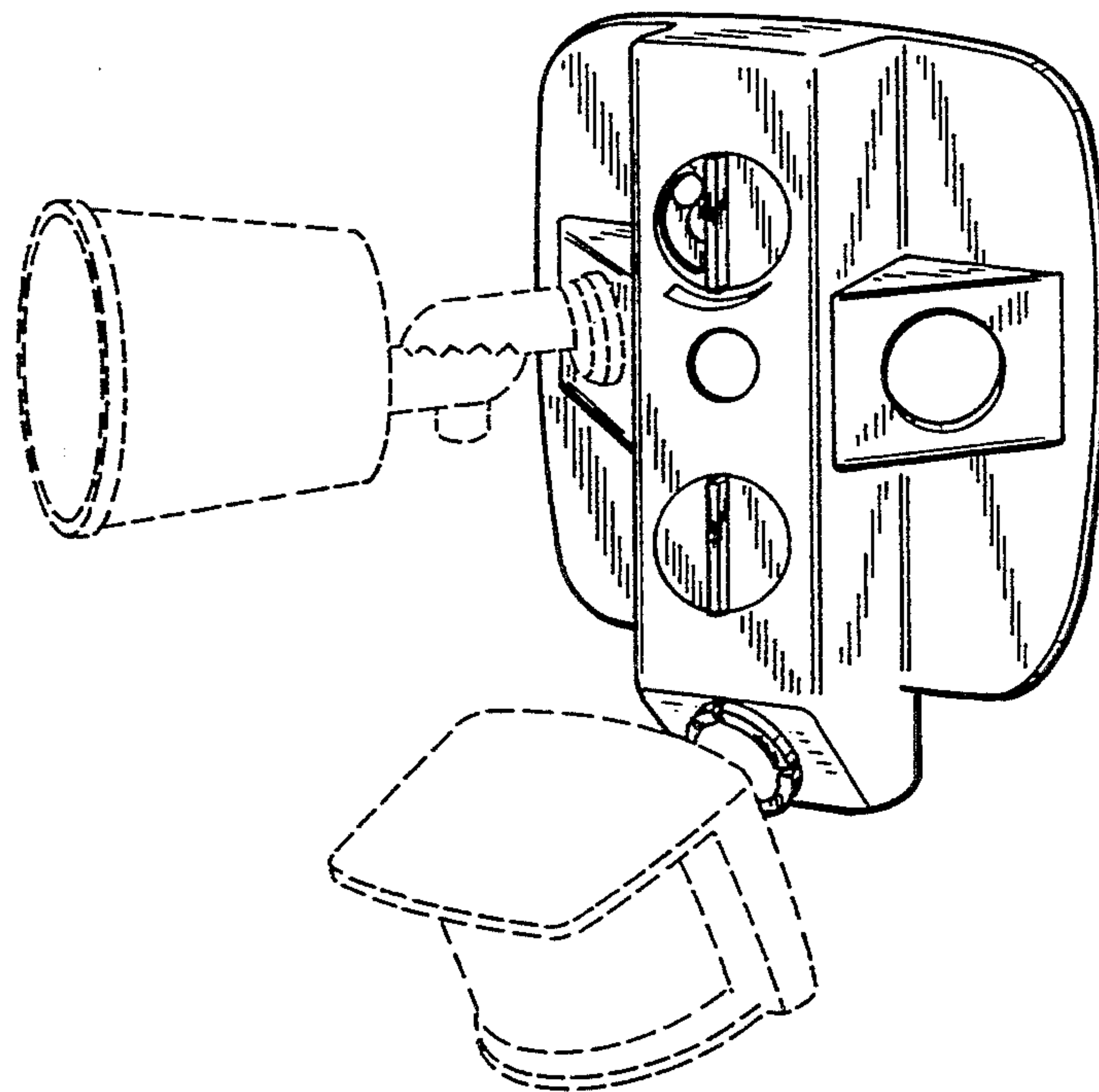
FIG. 1 is a perspective view of a mounting plate for a passive infrared motion detector with light fixture showing our new design, with the broken line showing for illustrative purposes only and forming no part of the claimed design;

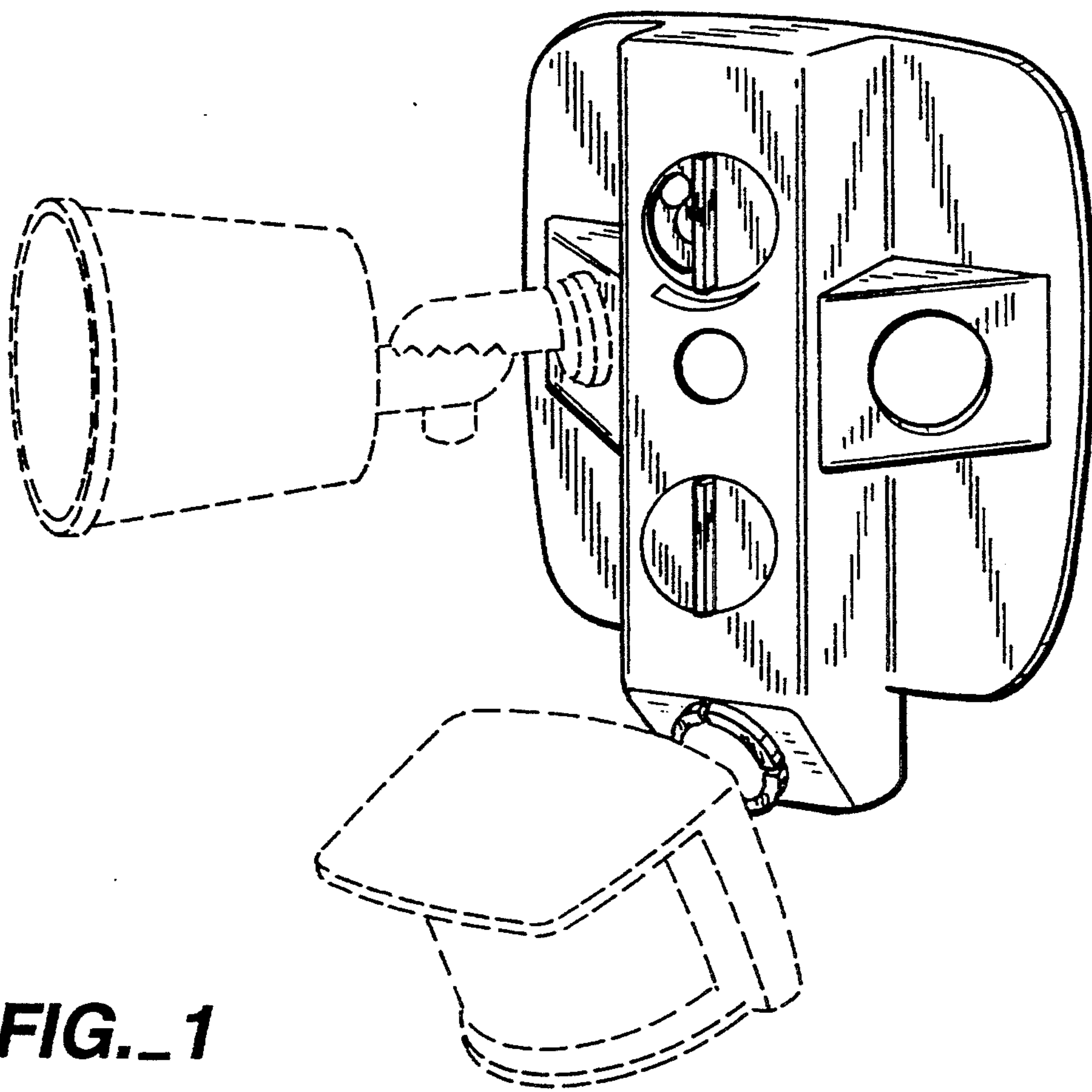
FIG. 2 is an enlarged front elevational view thereof; the rear view is plain and unornamented;

FIG. 3 is a left elevational view thereof, the right elevational view being a mirror image;

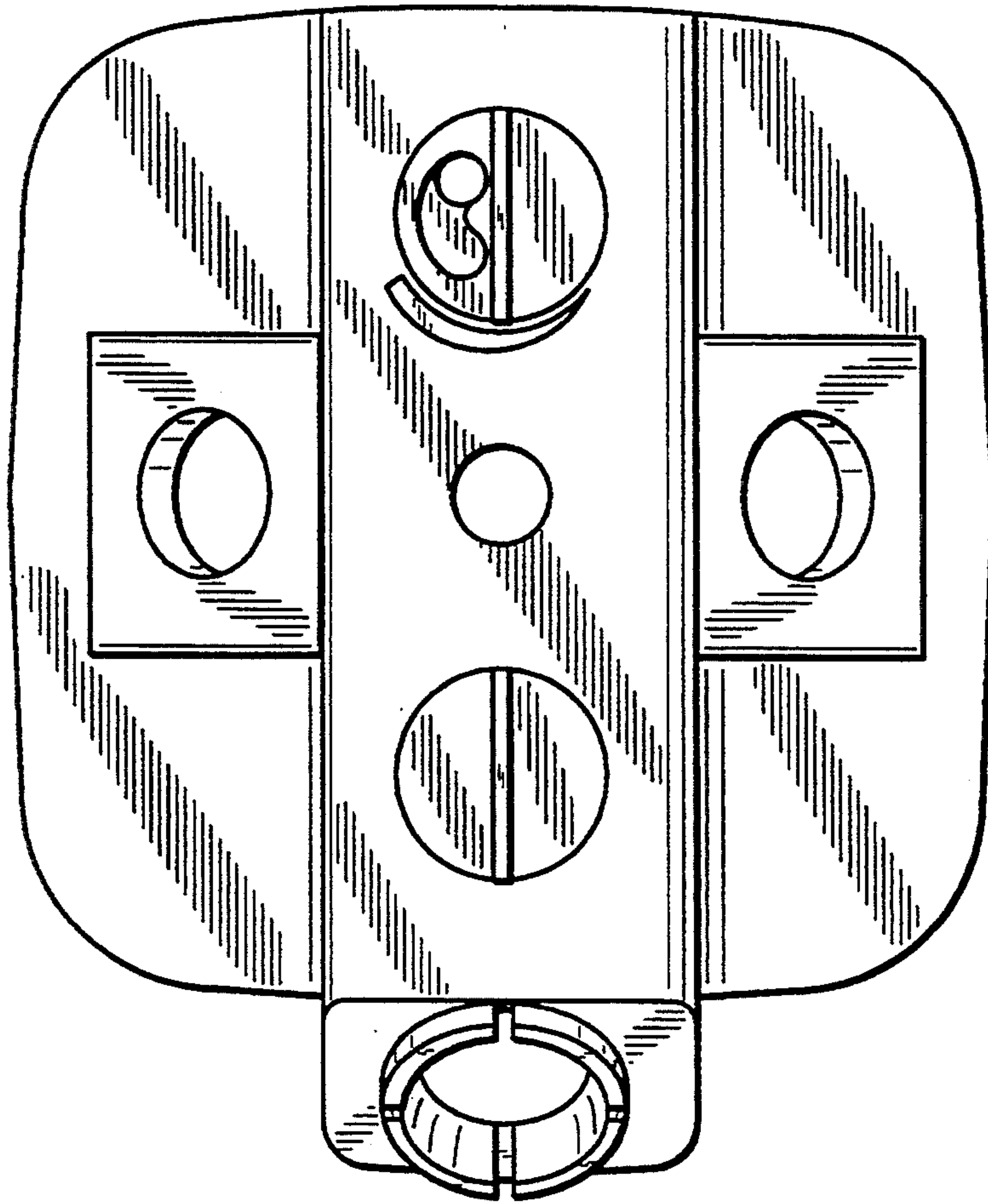
FIG. 4 is a top plan view thereof; and,

FIG. 5 is a bottom plan view thereof.

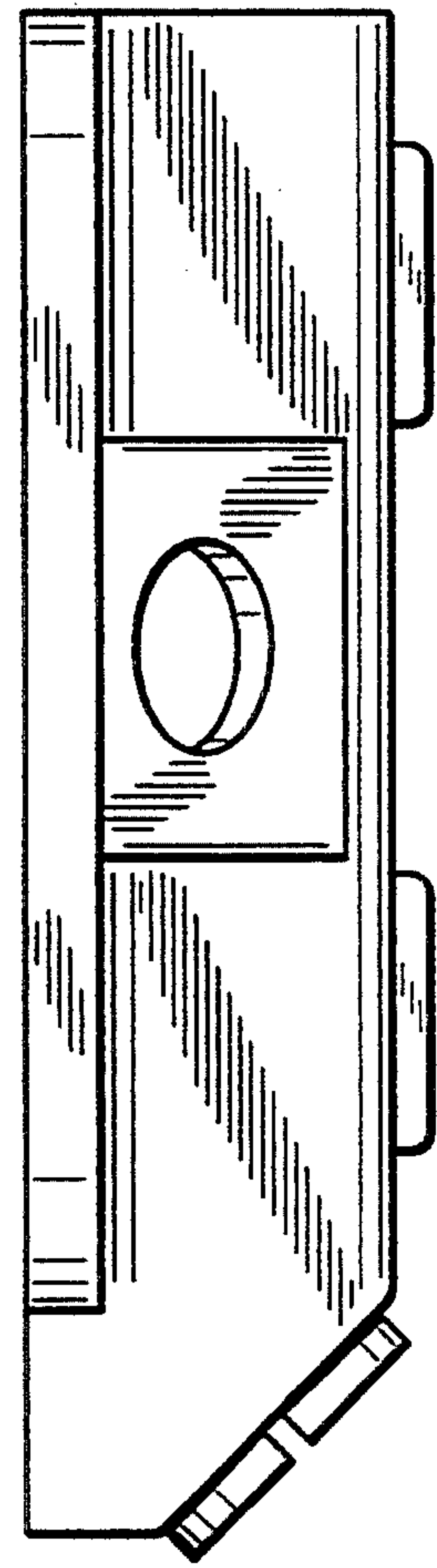




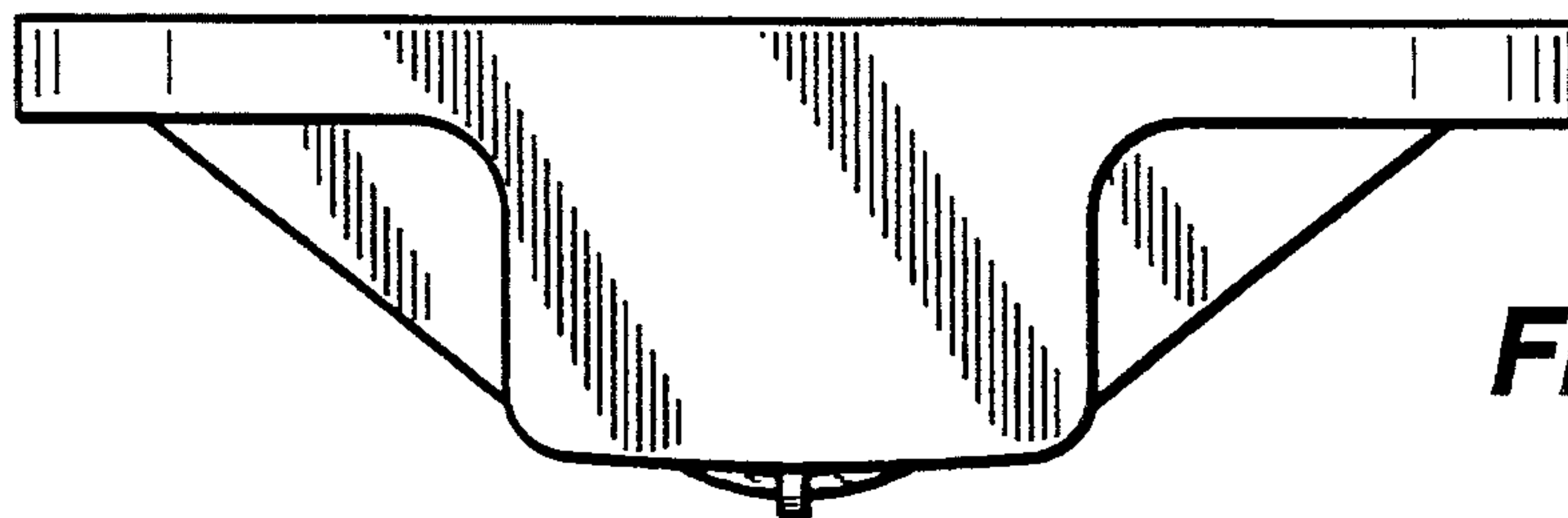
**FIG. 1**



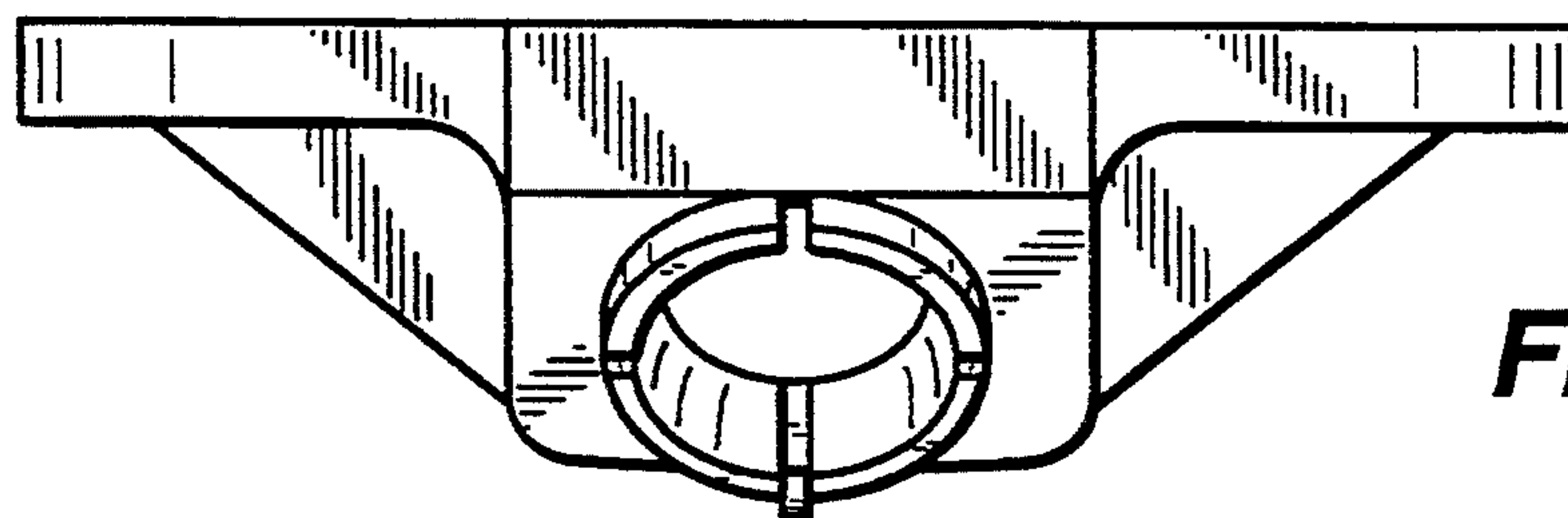
**FIG.\_2**



**FIG.\_3**



**FIG.\_4**



**FIG.\_5**