



US00D359006S

United States Patent [19]

[11] Patent Number: Des. 359,006

McCain et al.

[45] Date of Patent: ** Jun. 6, 1995

[54] DIGITAL CLAMP METER

[75] Inventors: George L. McCain, Almelo, Netherlands; Carol A. Young, Stanwood, Wash.

[73] Assignee: Fluke Corporation, Everett, Wash.

[**] Term: 14 Years

[21] Appl. No.: 20,955

[22] Filed: Apr. 5, 1994

[52] U.S. Cl. D10/79

[58] Field of Search D10/79; 324/115, 116, 324/117, 126, 127, 128, 129, 130, 142, 143, 149, 156, 158 P, 159 F

[56] References Cited

U.S. PATENT DOCUMENTS

3,840,808 10/1974 Liebermann D10/79 X
4,518,913 5/1985 Jackson D10/79 X

OTHER PUBLICATIONS

Extech Instruments; ACA Clamp-on Multimeter; ©1991, p. 21.

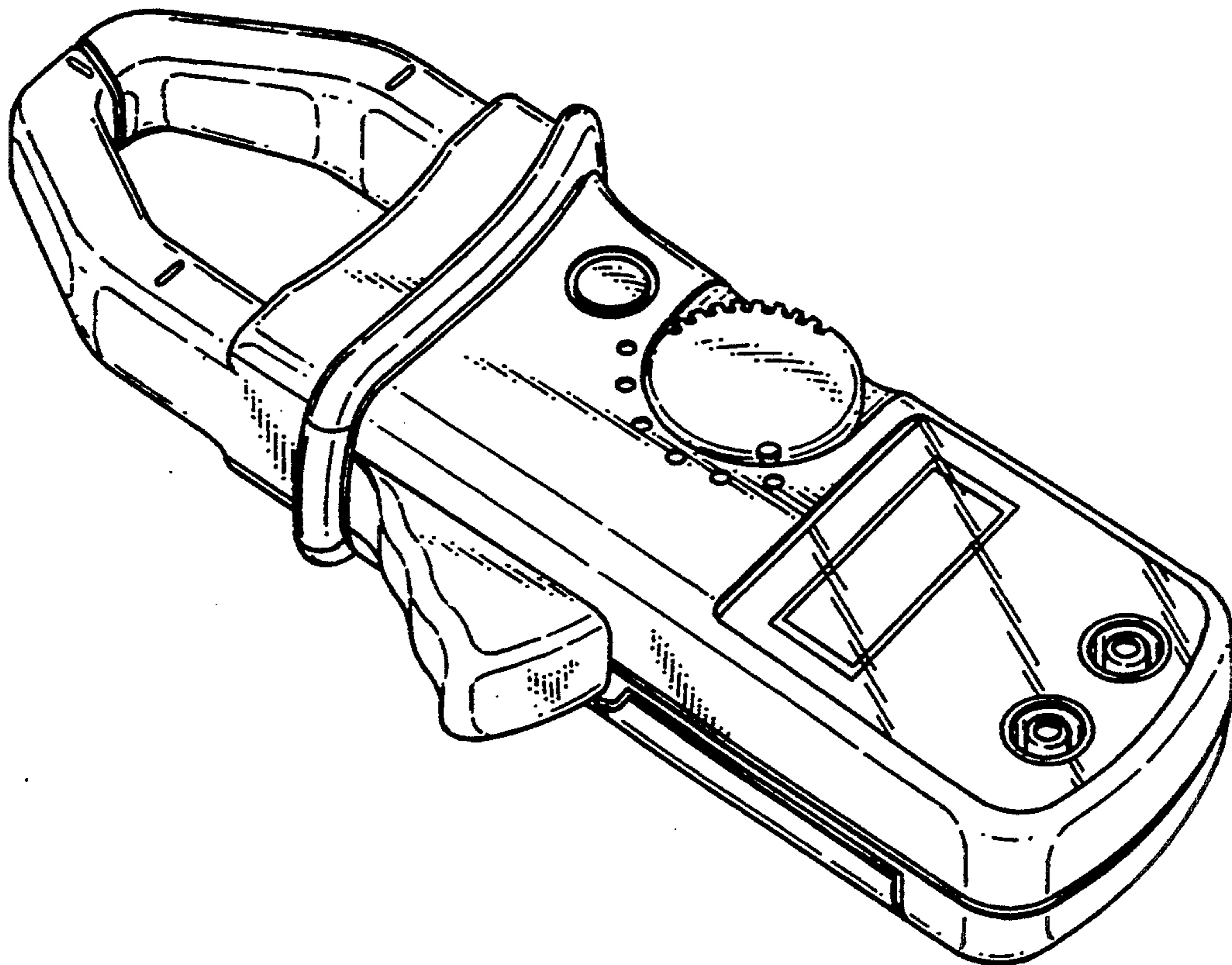
Primary Examiner—Antoine Duval Davis
Attorney, Agent, or Firm—Richard A. Koske

[57] CLAIM

The ornamental design for a digital clamp meter, as shown.

DESCRIPTION

FIG. 1 is a perspective view of a digital clamp meter showing our new design;
FIG. 2 is a front elevational view;
FIG. 3 is a left side elevational view;
FIG. 4 is a right side elevational view;
FIG. 5 is a top plan view;
FIG. 6 is a bottom plan view; and,
FIG. 7 is a rear elevational view thereof.



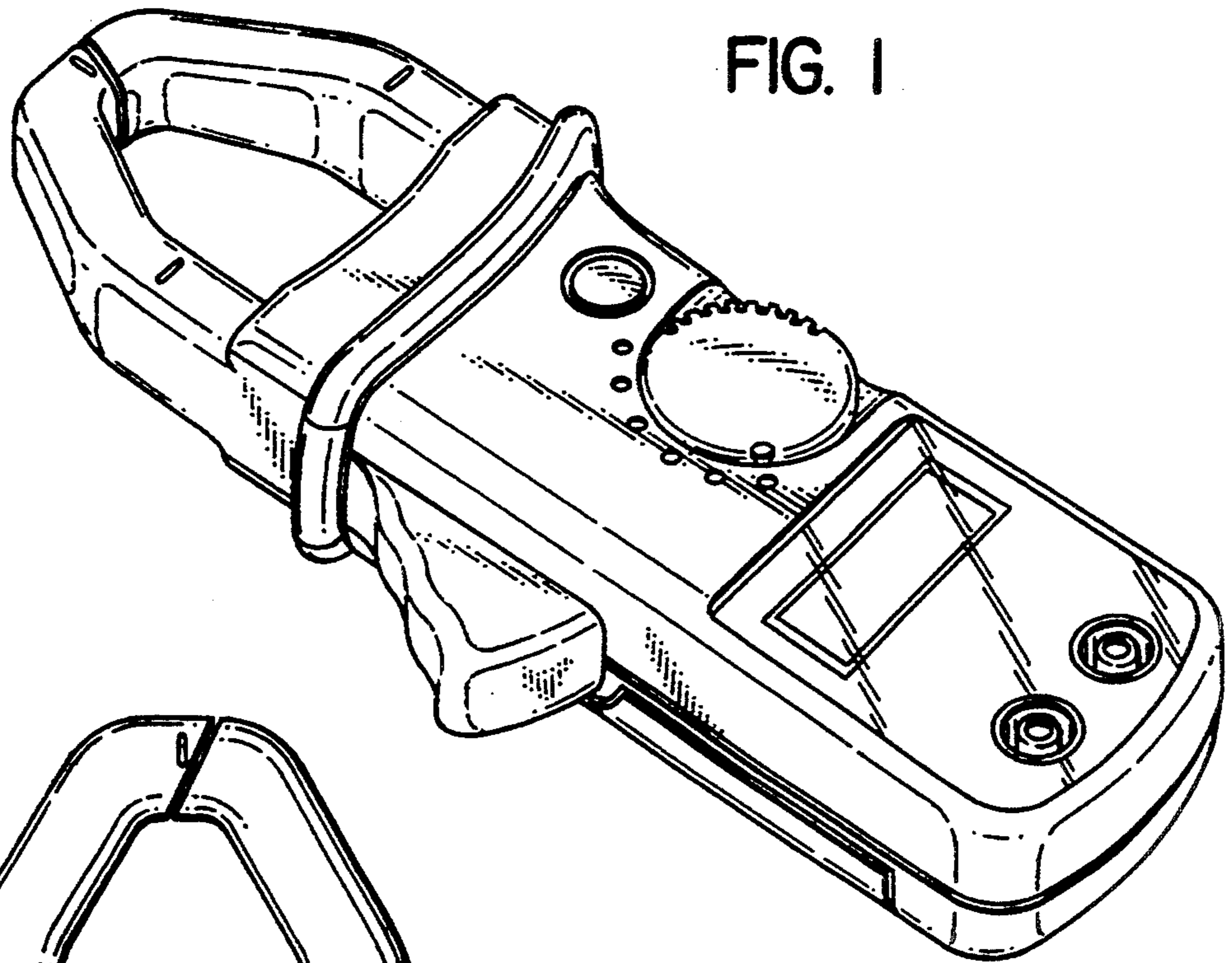


FIG. 1

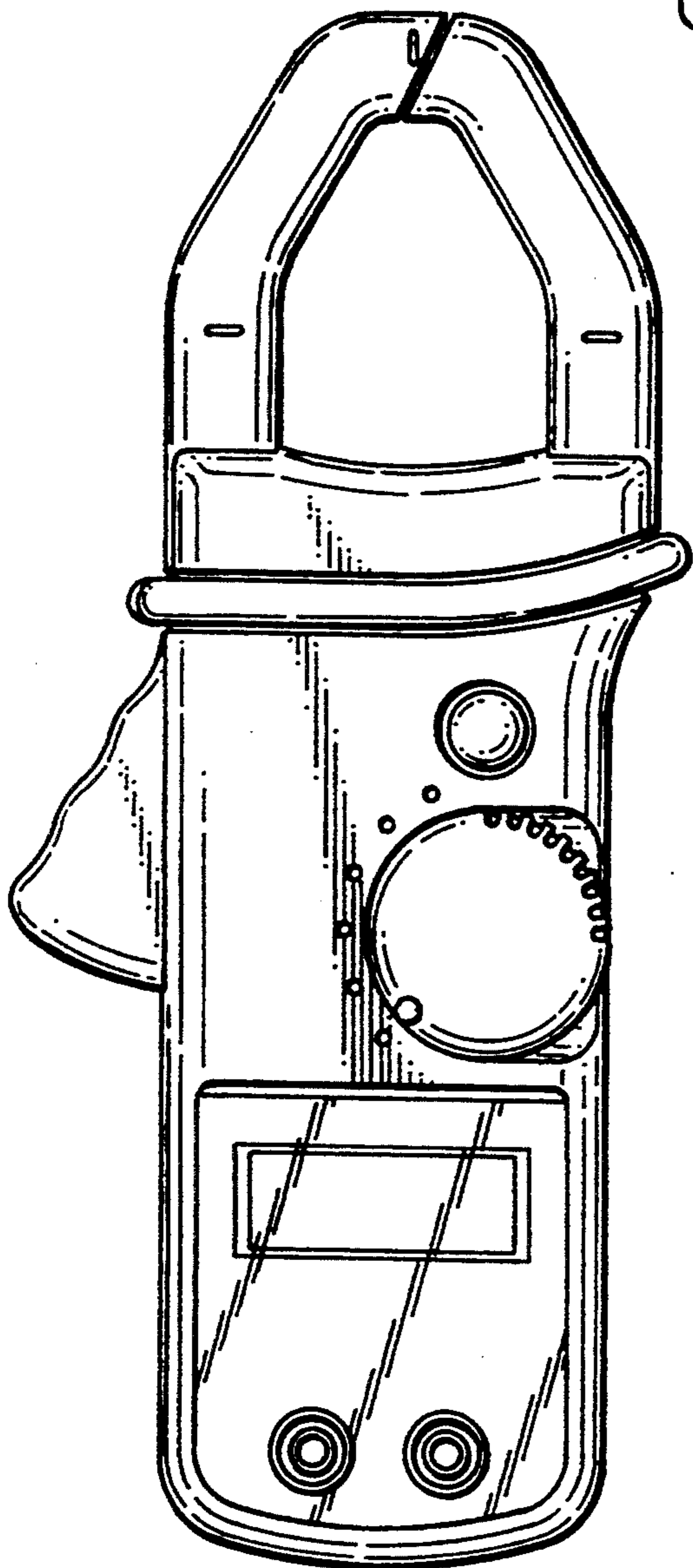


FIG. 2

FIG. 3

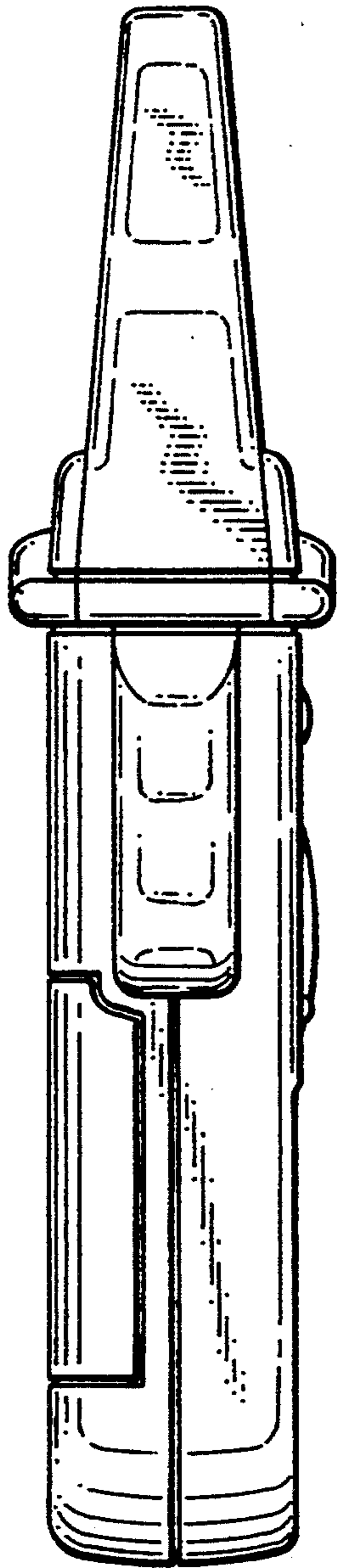


FIG. 4

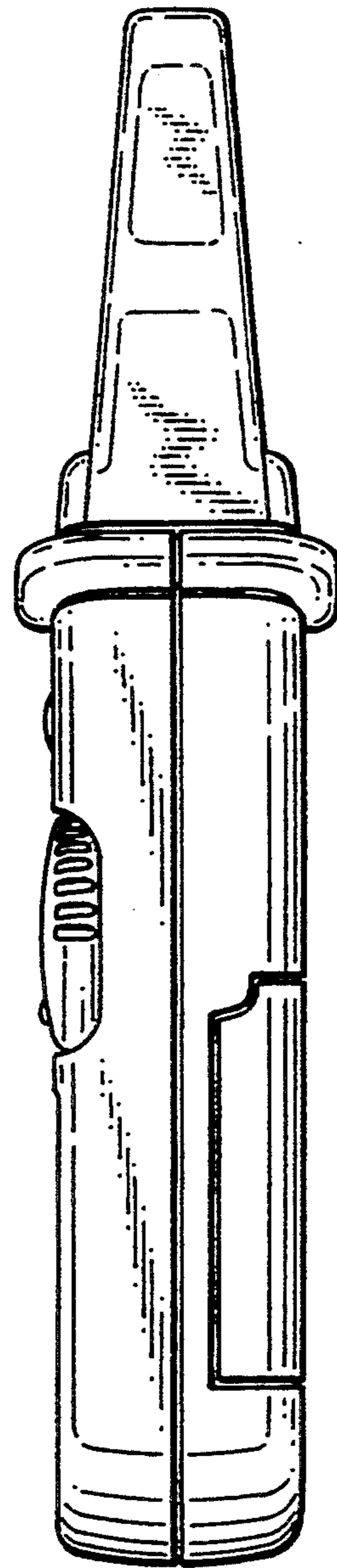


FIG. 5

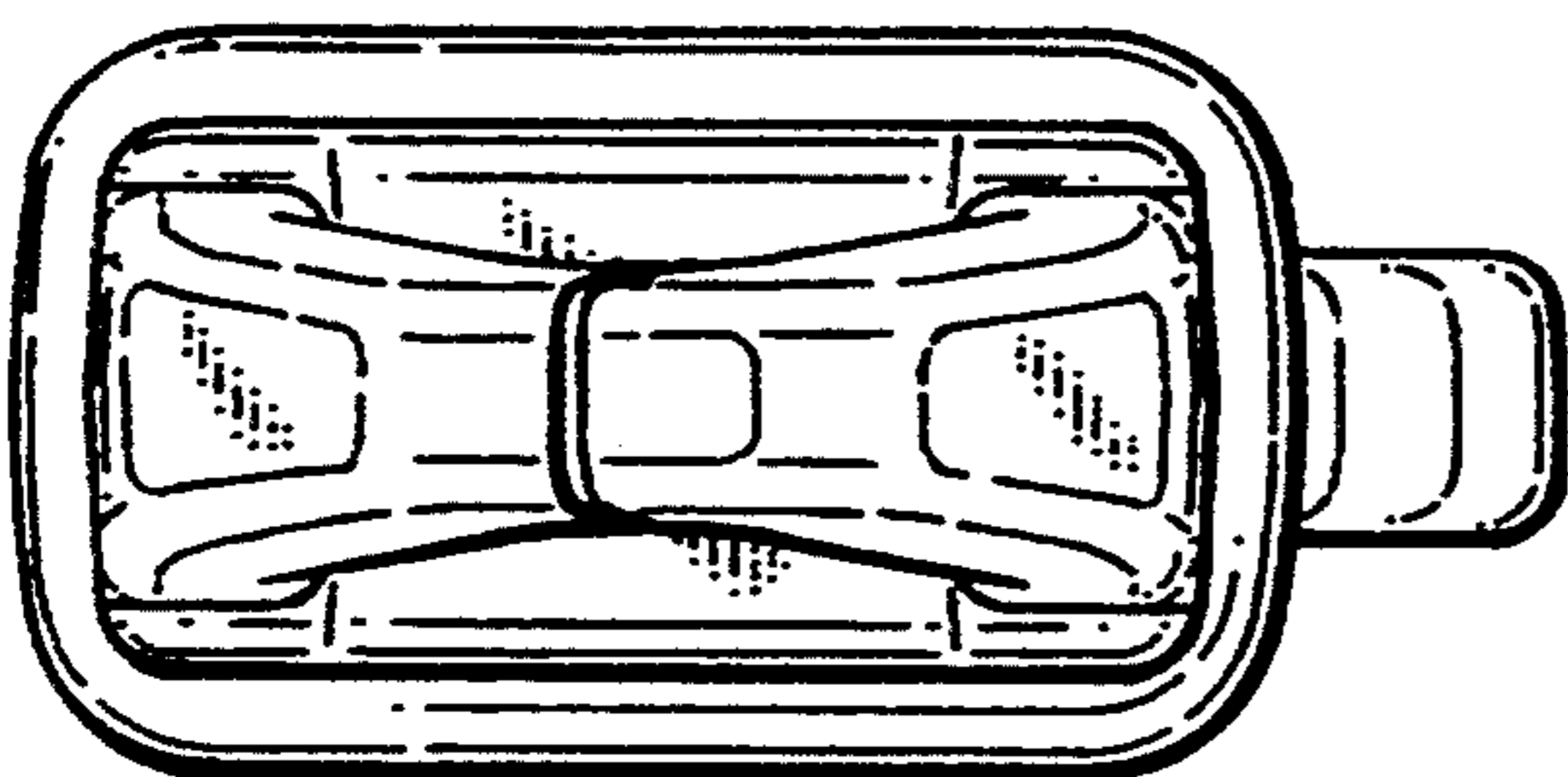


FIG. 6

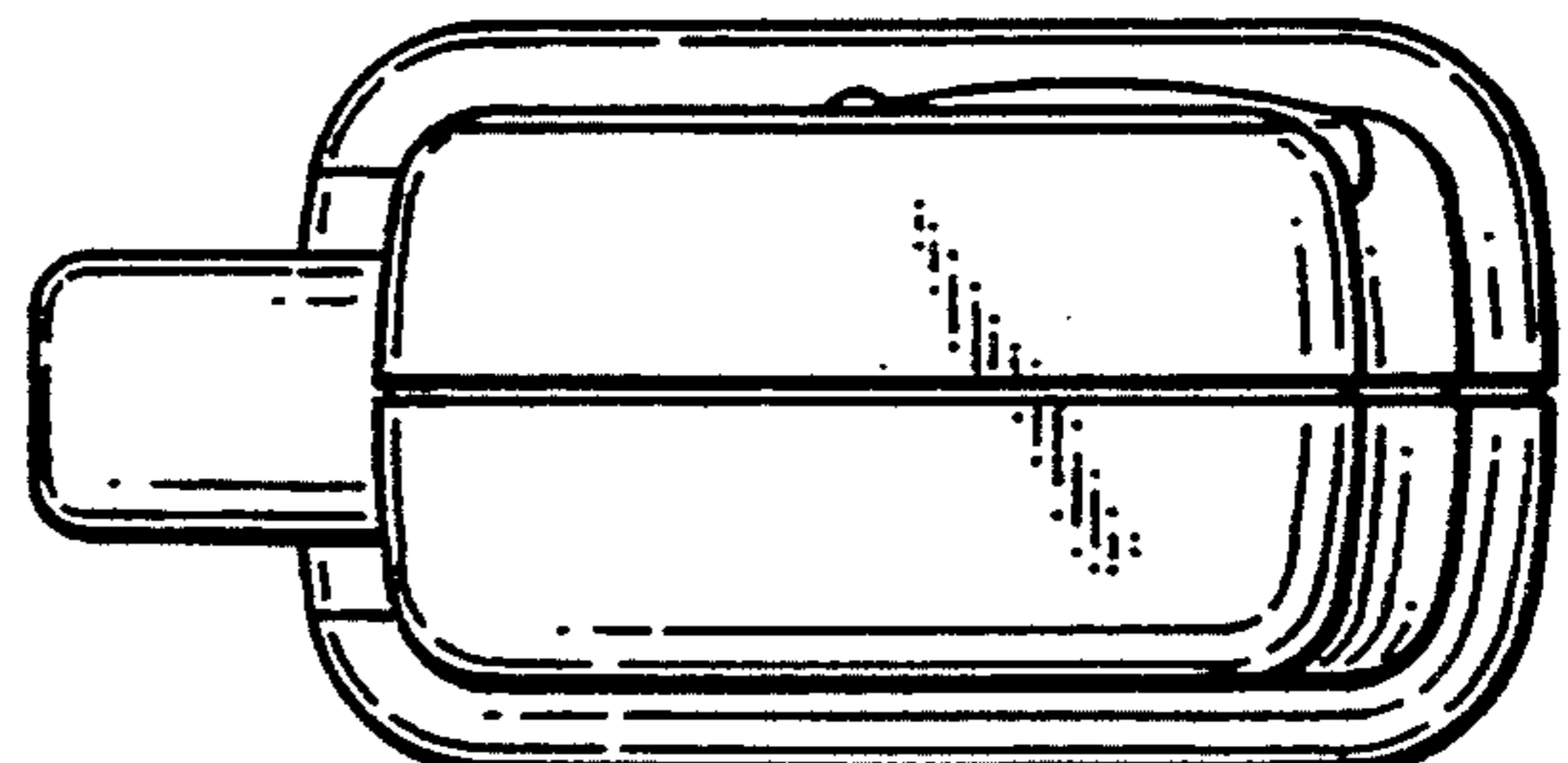


FIG. 7

