



US00D359003S

United States Patent [19]

[11] Patent Number: **Des. 359,003**

Davis et al.

[45] Date of Patent: **** Jun. 6, 1995**

[54] **TIMER**

[75] Inventors: **Christopher J. Davis**, Overland Park, Kans.; **Peter Wong**, Kowloon, Hong Kong; **Chi T. Tam**, Kowloon, Hong Kong; **Kwok F. Lin**, Kowloon, Hong Kong; **Michael Tse**, Kowloon, Hong Kong; **Loi W. Yuen**, Kowloon, Hong Kong; **Frankie Au**, Kwai Chung, Hong Kong; **Johnny Tam**, Kowloon, Hong Kong

[73] Assignee: **ACI International, Inc.**, Olathe, Kans.

[**] Term: **14 Years**

[21] Appl. No.: **9,918**

[22] Filed: **Jun. 24, 1993**

[52] U.S. Cl. **D10/40; D10/2; D10/18; D10/15; D10/30; D10/26**

[58] Field of Search **D10/1-39, D10/40; 368/10, 107-121**

[56] **References Cited**

U.S. PATENT DOCUMENTS

D. 275,082	8/1984	Goodin et al.	D10/15 X
D. 301,309	5/1989	Houlihan	D10/15
D. 301,839	6/1989	Houlihan	D10/15
D. 331,018	11/1992	Watanabe et al.	D10/40 X
D. 337,950	8/1993	Davis	D10/15
4,660,991	4/1987	Simon	368/109 X
4,893,291	1/1990	Bick et al.	368/10

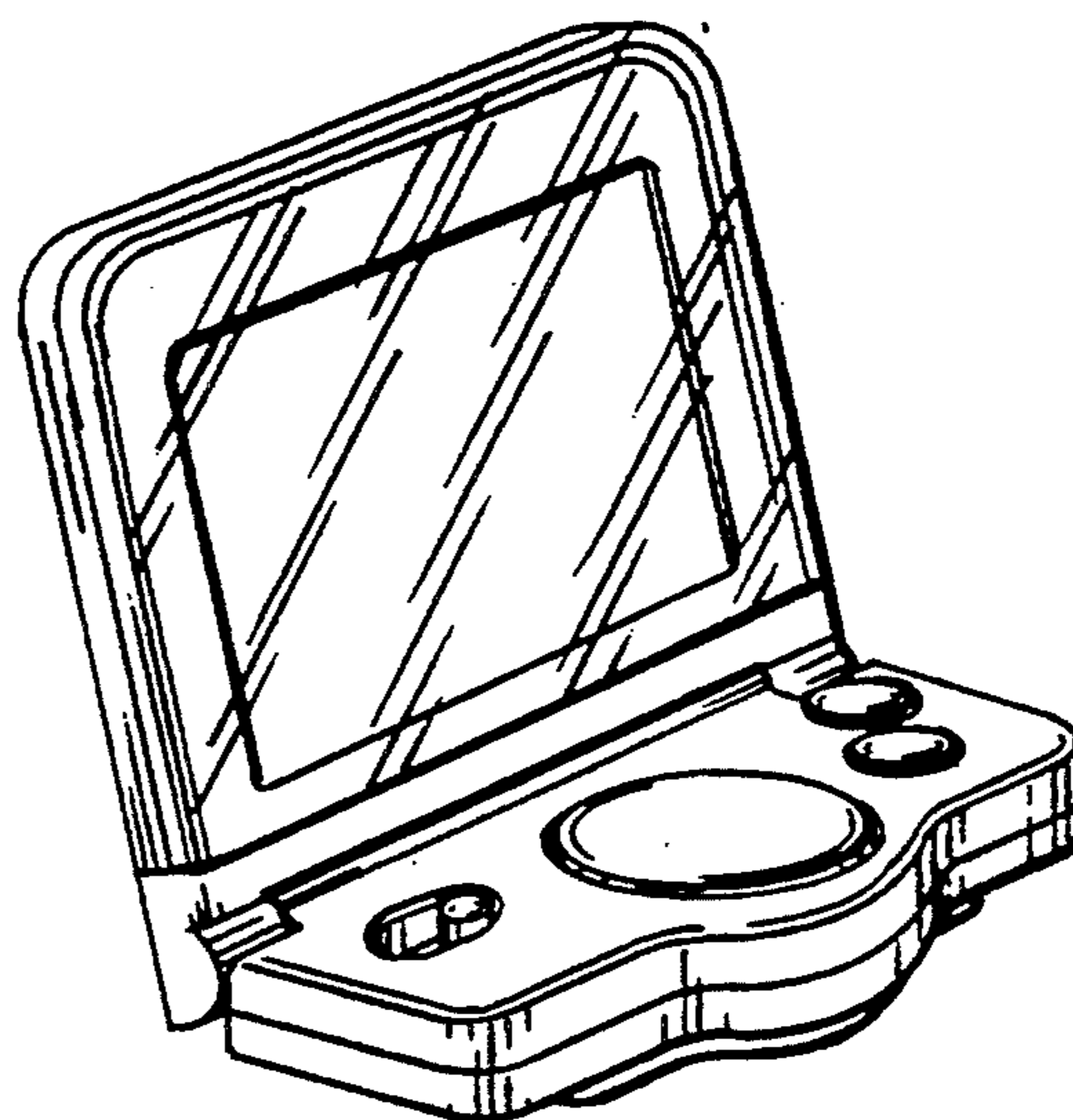
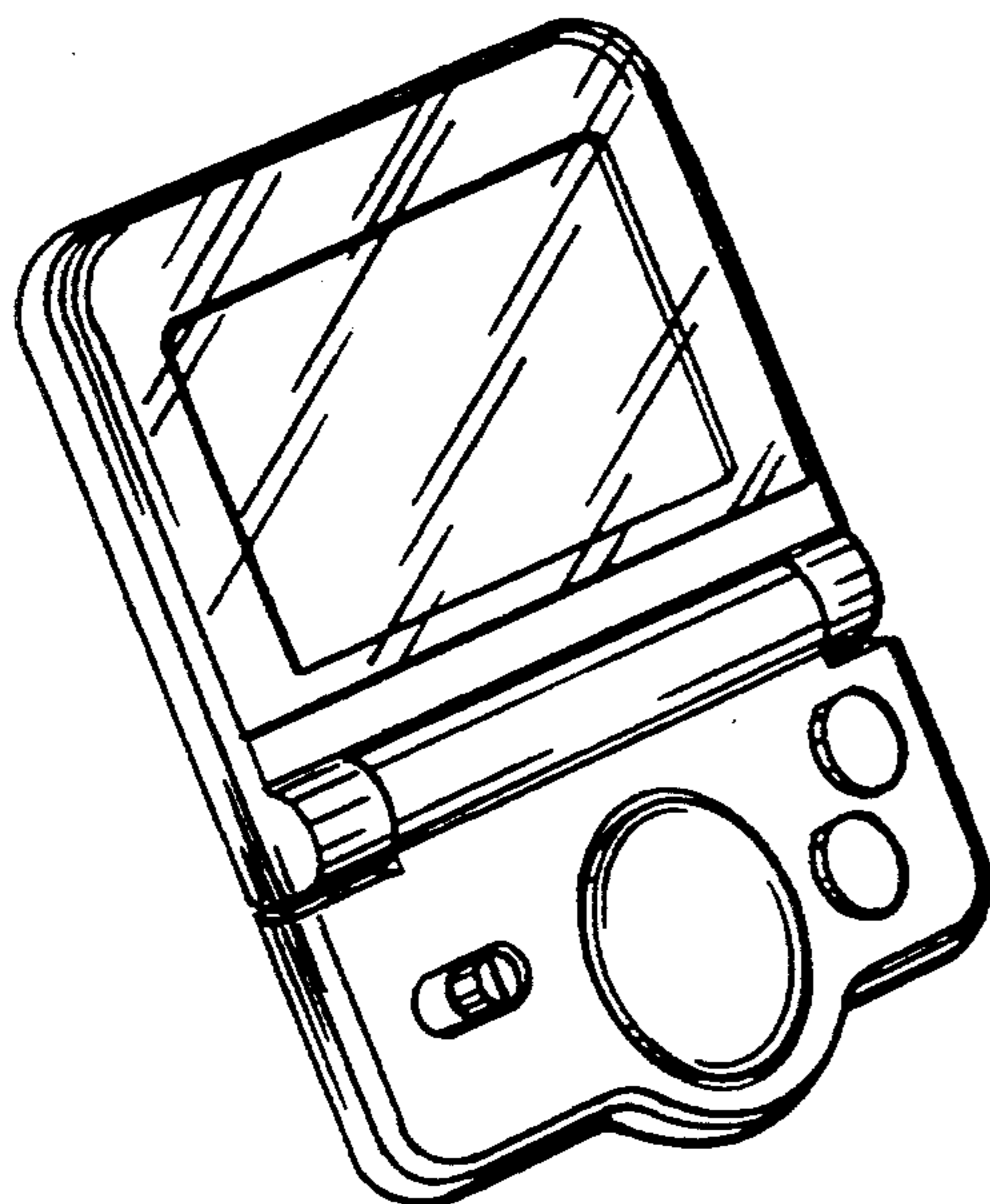
Primary Examiner—Martie Thompson
Attorney, Agent, or Firm—Chase & Yakimo

[57] **CLAIM**

The ornamental design for a timer, as shown and described.

DESCRIPTION

FIG. 1 is a perspective view of the timer showing the new design;
 FIG. 2 is a front view of the timer showing the new design;
 FIG. 3 is a left side view of the timer showing the new design;
 FIG. 4 is a right side view of the timer showing the new design;
 FIG. 5 is a rear view of the timer showing the new design;
 FIG. 6 is a top view of the timer showing the new design;
 FIG. 7 is a bottom view of the timer showing the new design;
 FIG. 8 is a perspective view of an alternative position of the timer showing the new design;
 FIG. 9 is a left side view of an alternative position of the timer showing the new design;
 FIG. 10 is a right side view of an alternative position of the timer showing the new design;
 FIG. 11 is a front view of an alternative position of the timer showing the new design;
 FIG. 12 is a top view of an alternative position of the timer showing the new design;
 FIG. 13 is a rear view of an alternative position of the timer showing the new design; and,
 FIG. 14 is a bottom view of an alternative position of the timer showing the new design.



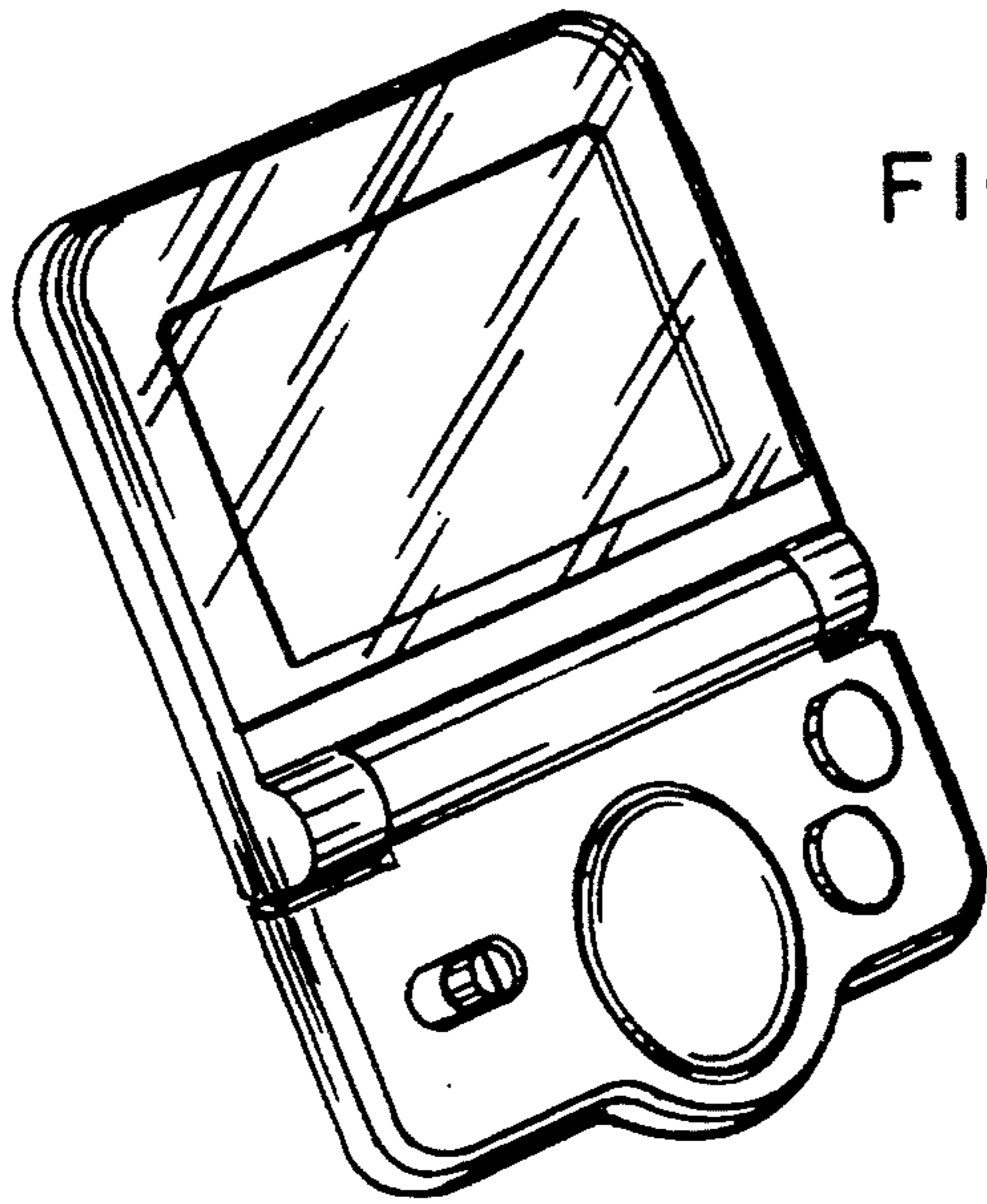


FIG. 1

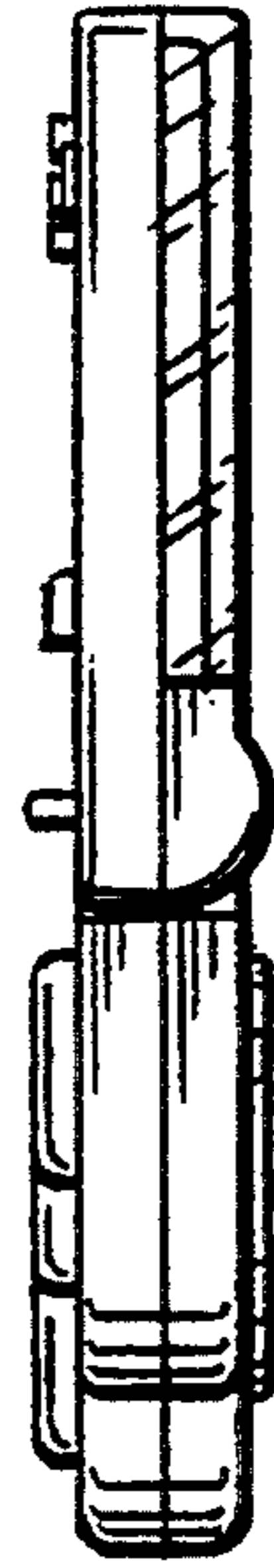


FIG. 3



FIG. 4

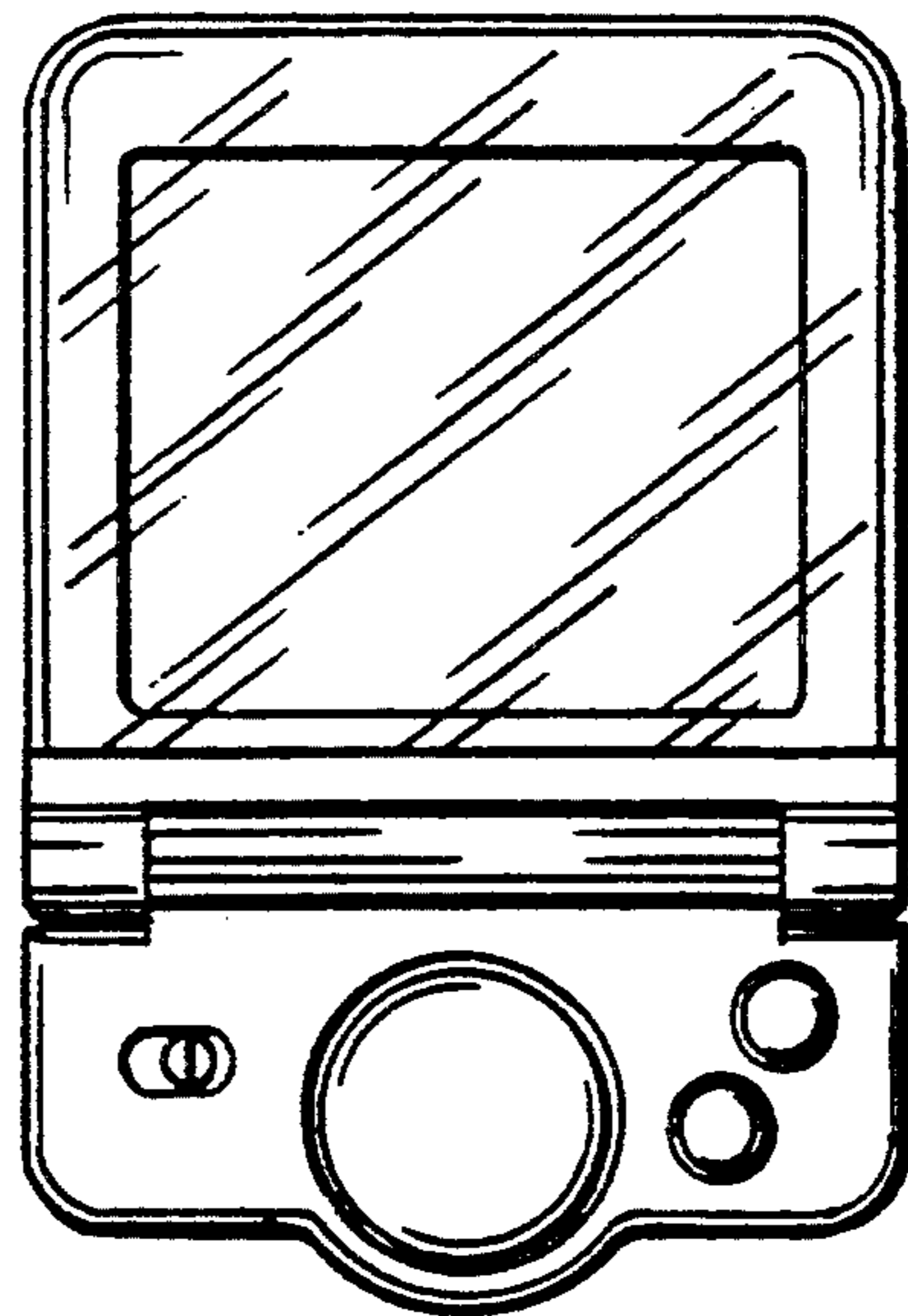


FIG. 2

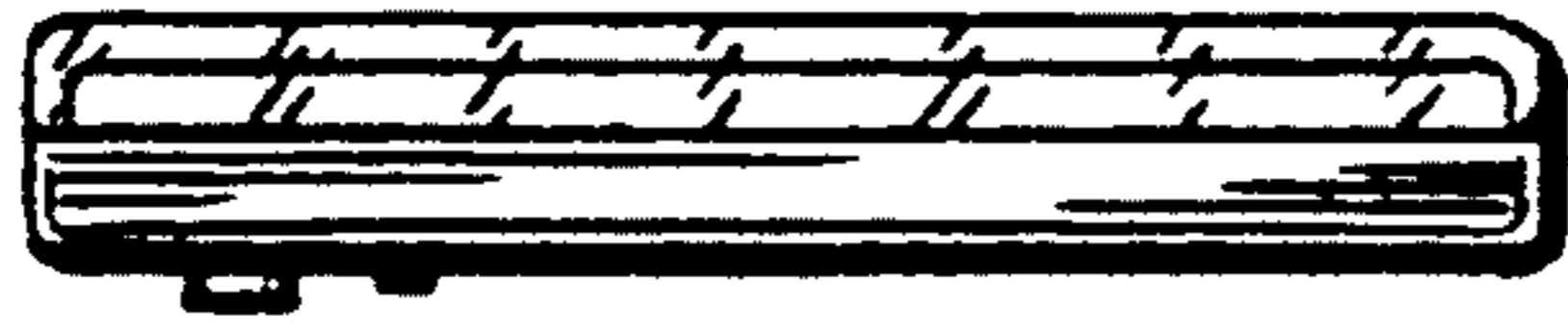


FIG. 6

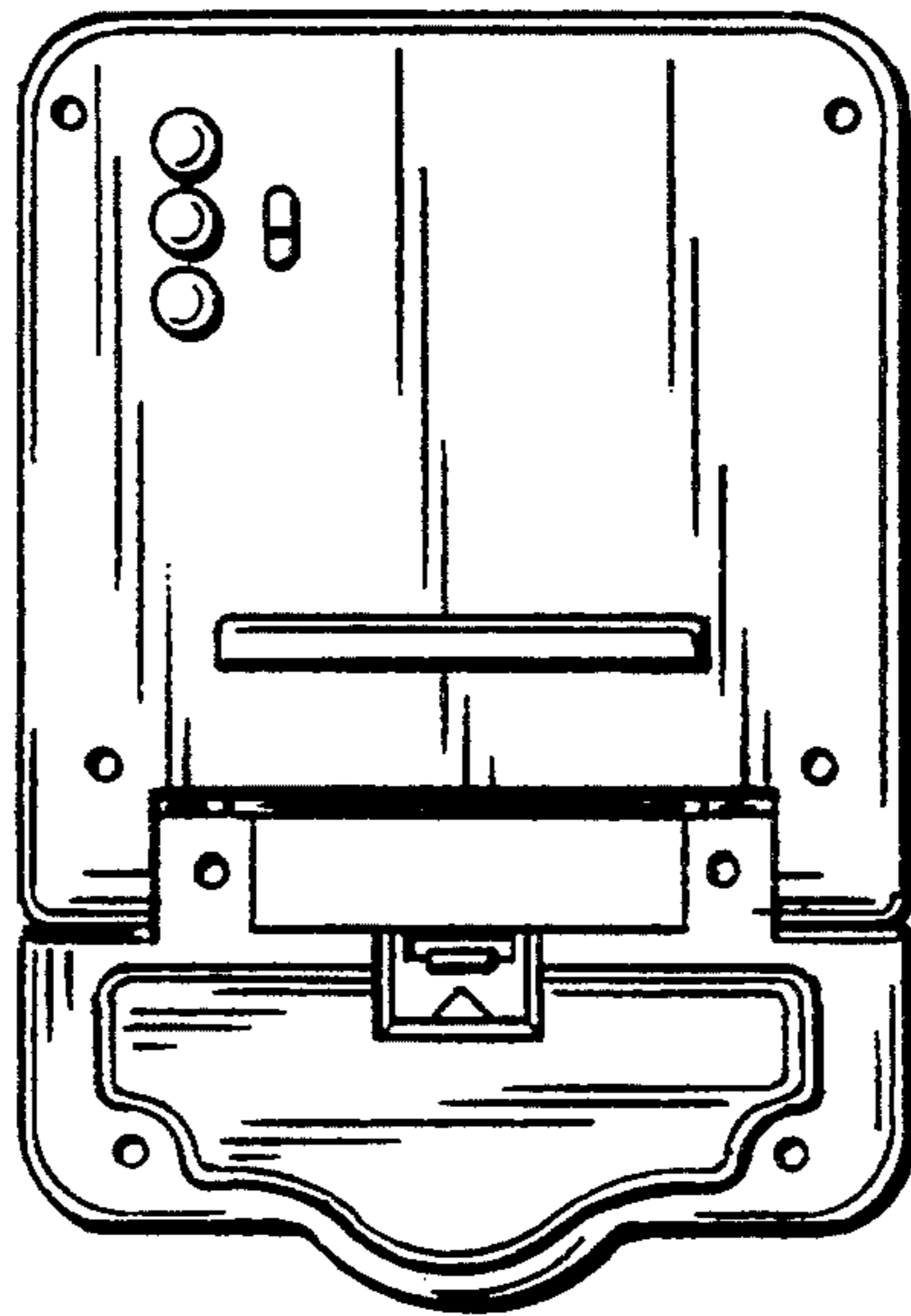


FIG. 5

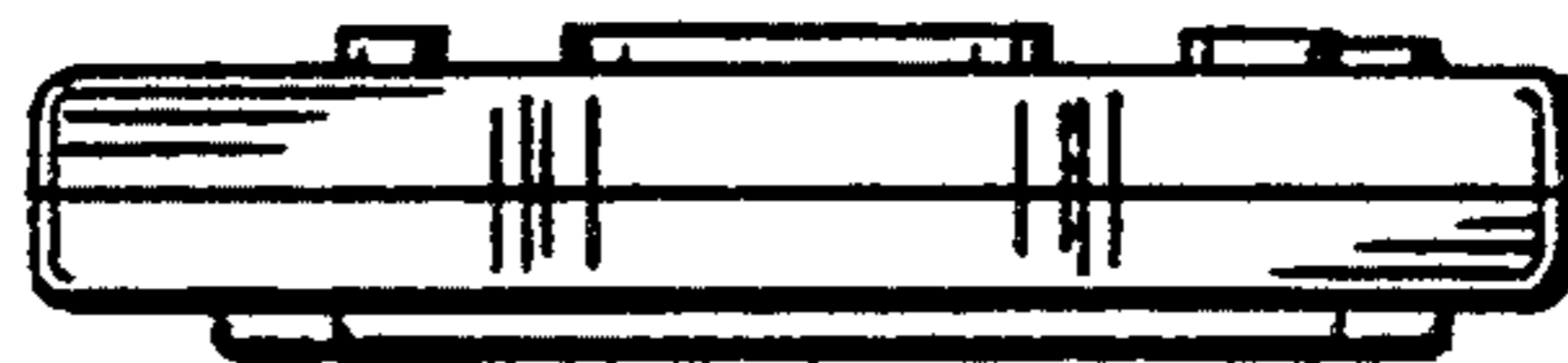


FIG. 7

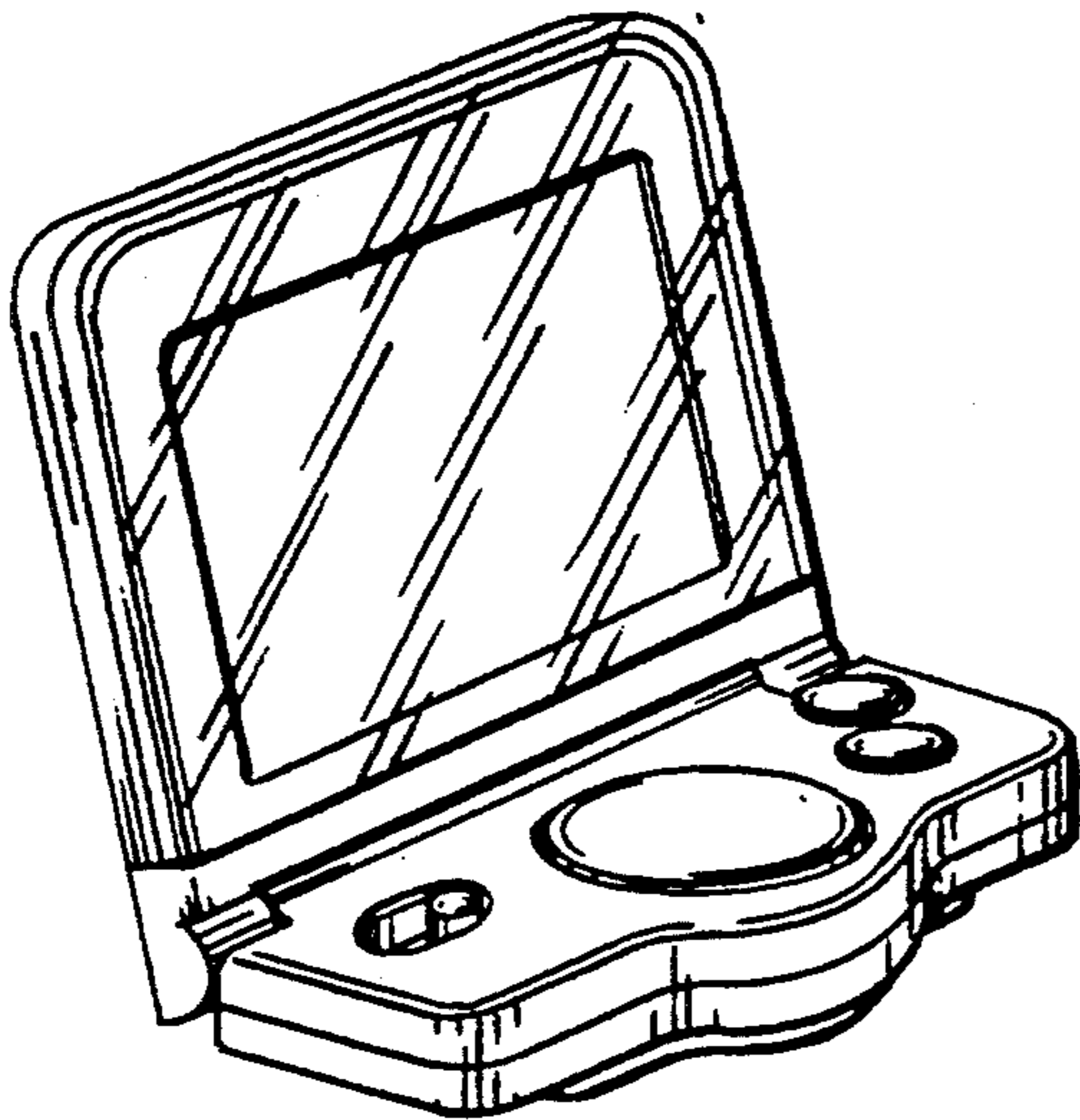


FIG. 8

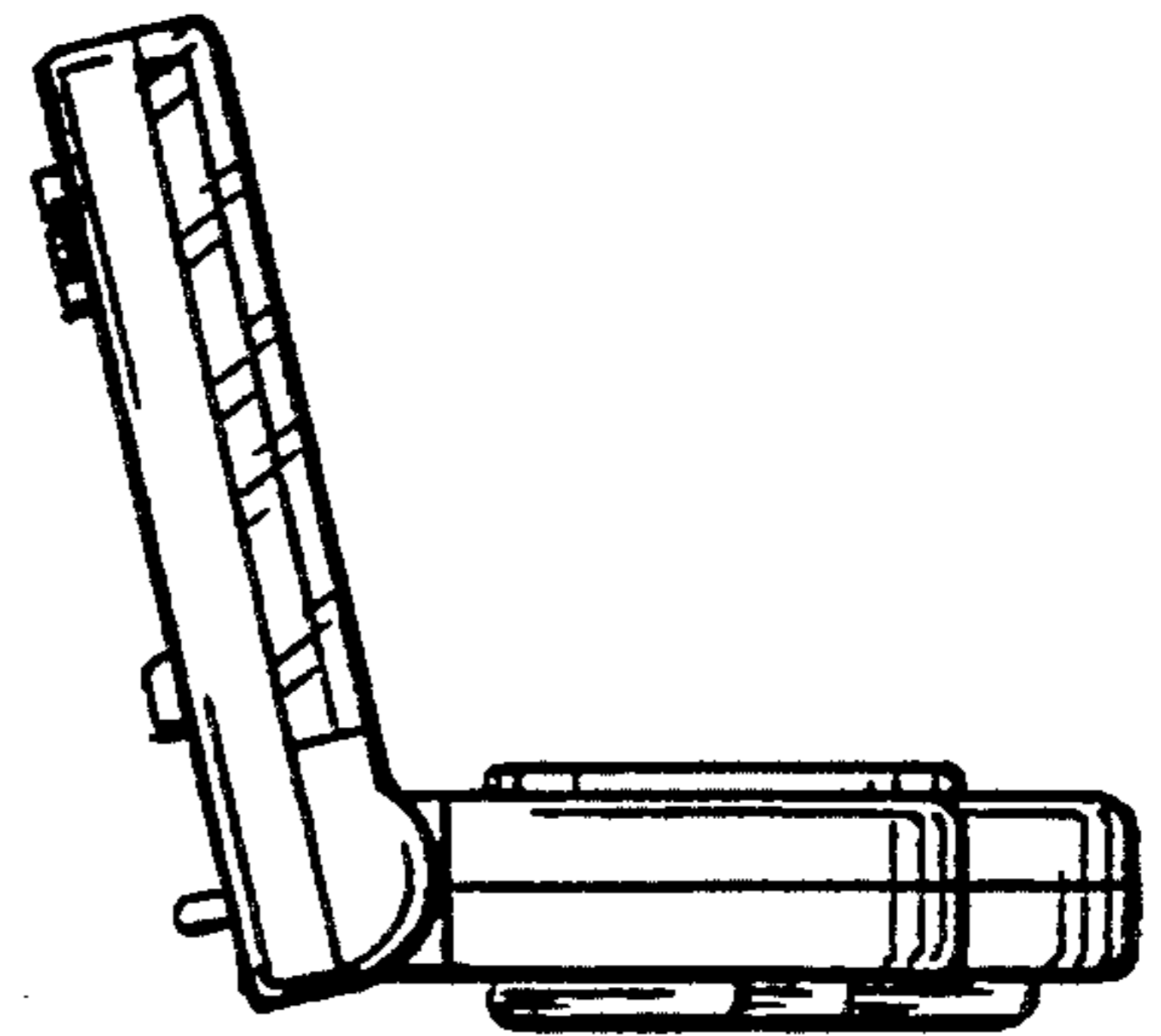


FIG. 9

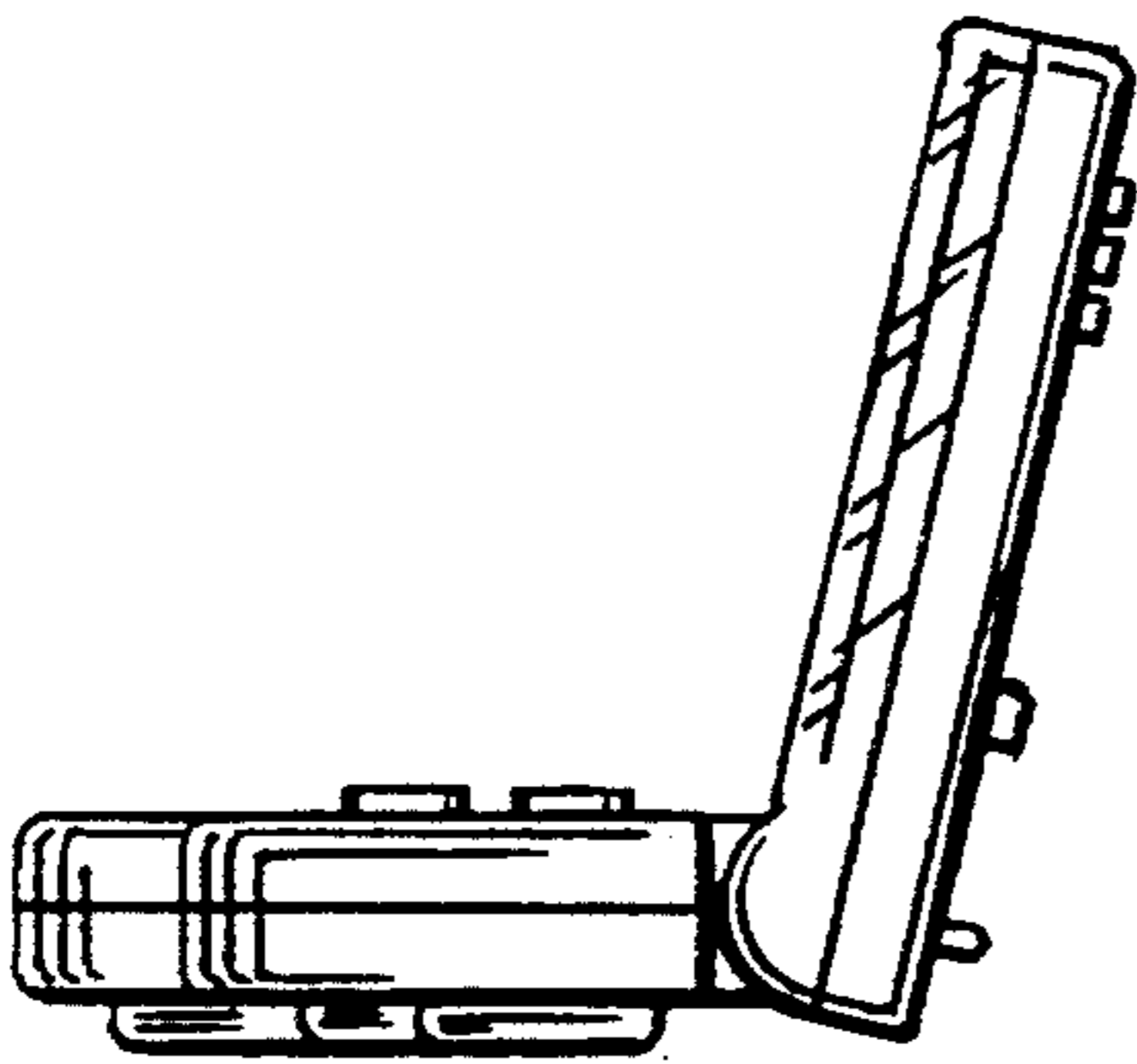


FIG. 10

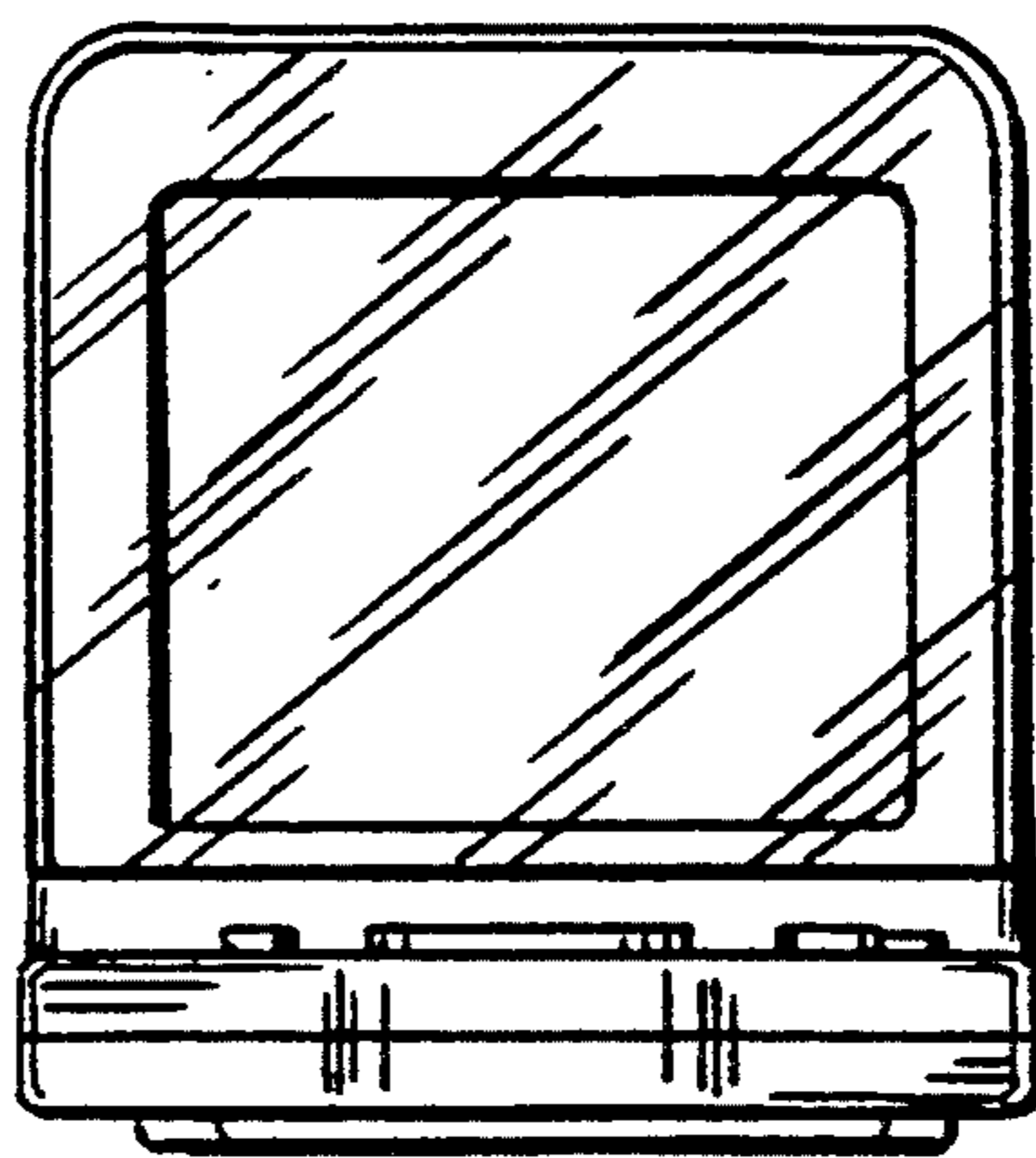


FIG. 11

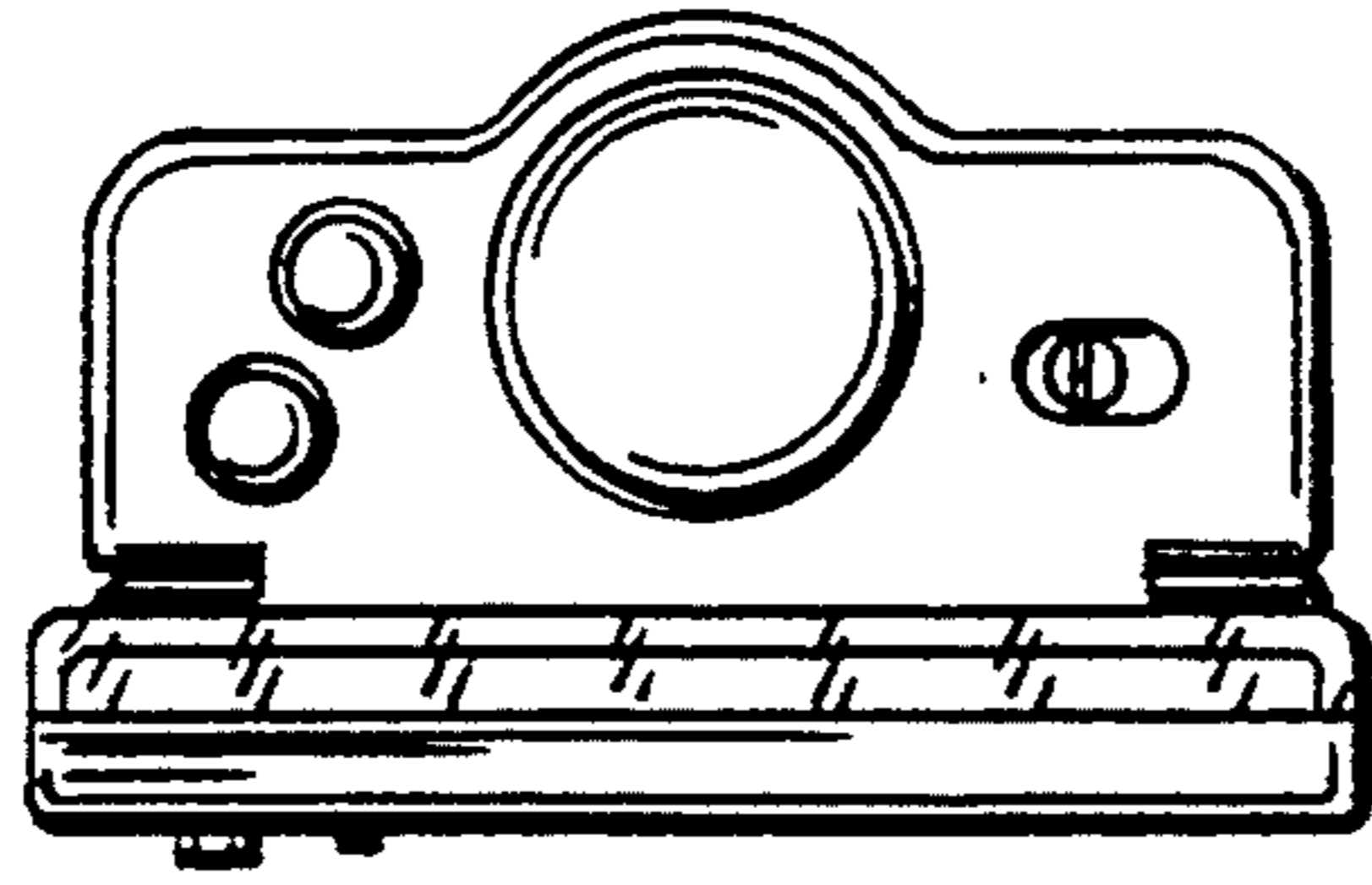


FIG. 12

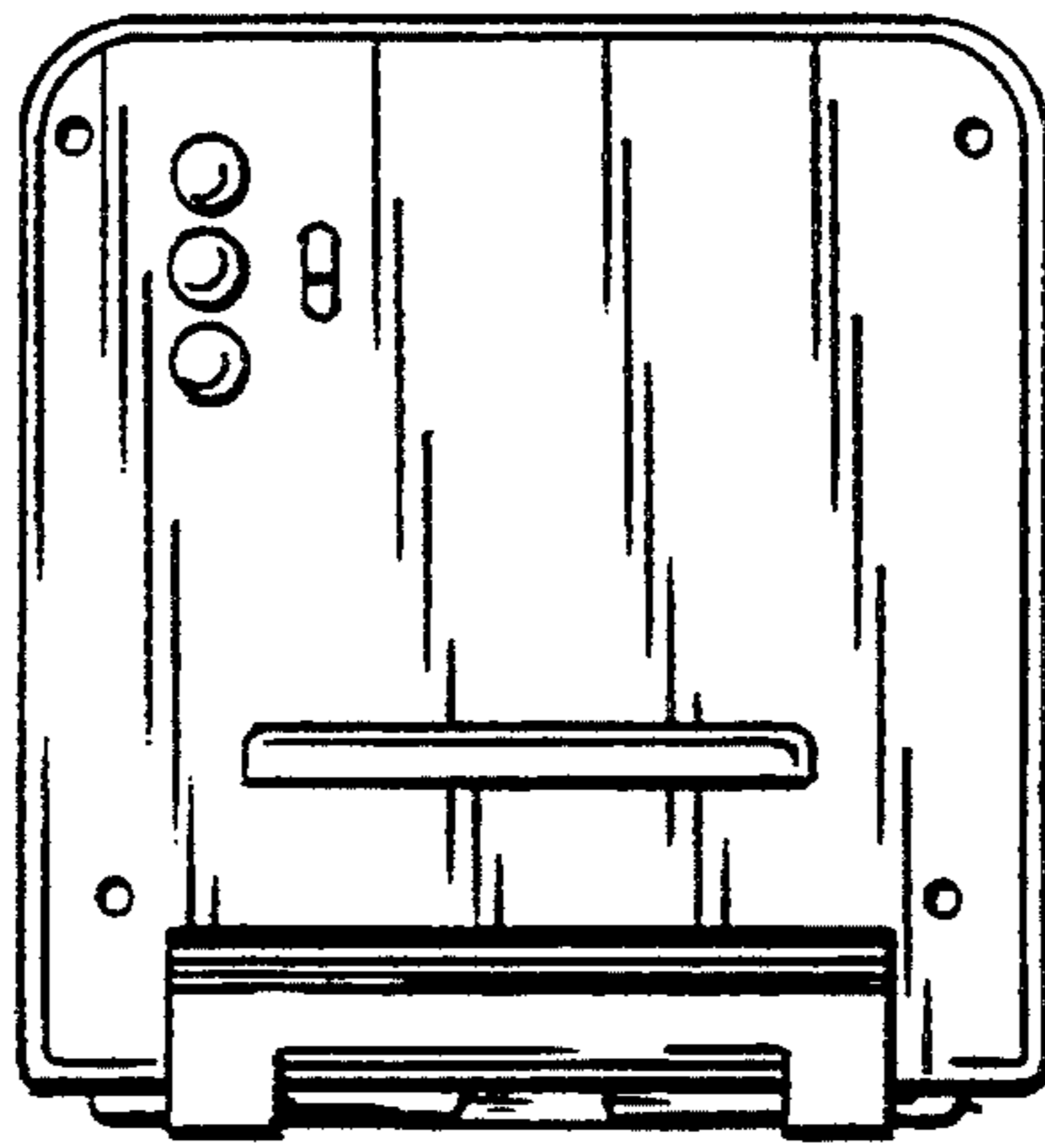


FIG. 13

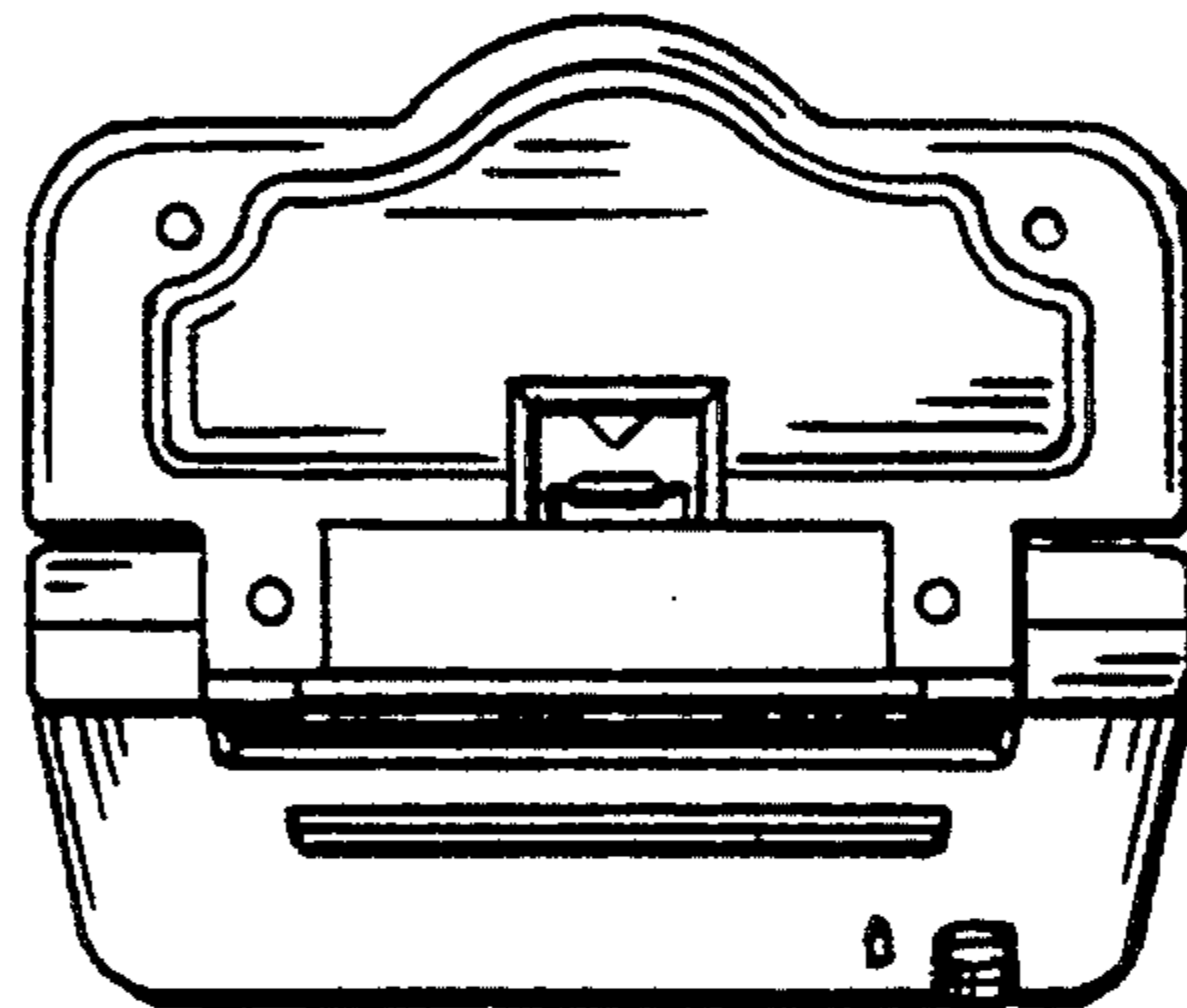


FIG. 14