



US00D358996S

United States Patent [19]
Mo

[11] **Patent Number: Des. 358,996**

[45] **Date of Patent: ** Jun. 6, 1995**

[54] **CLOCK**

[75] **Inventor: Shan K. Mo, Taichung Hsien, Taiwan, Prov. of China**

[73] **Assignee: Centre Clock Industry Co., Ltd., Taichung, Taiwan, Prov. of China**

[**] **Term: 14 Years**

[21] **Appl. No.: 17,900**

[22] **Filed: Jan. 25, 1994**

[52] **U.S. Cl. D10/28; D10/21**

[58] **Field of Search D10/1-40, D10/122-132; 368/276-277, 285, 316-317**

[56] **References Cited**

U.S. PATENT DOCUMENTS

D. 77,428 1/1929 Mott D10/1

D. 77,429 1/1929 Mott D10/1
D. 333,273 2/1993 Mukoyama D10/29
D. 333,620 3/1993 Moore D10/29
D. 346,968 5/1994 Odaka D10/29

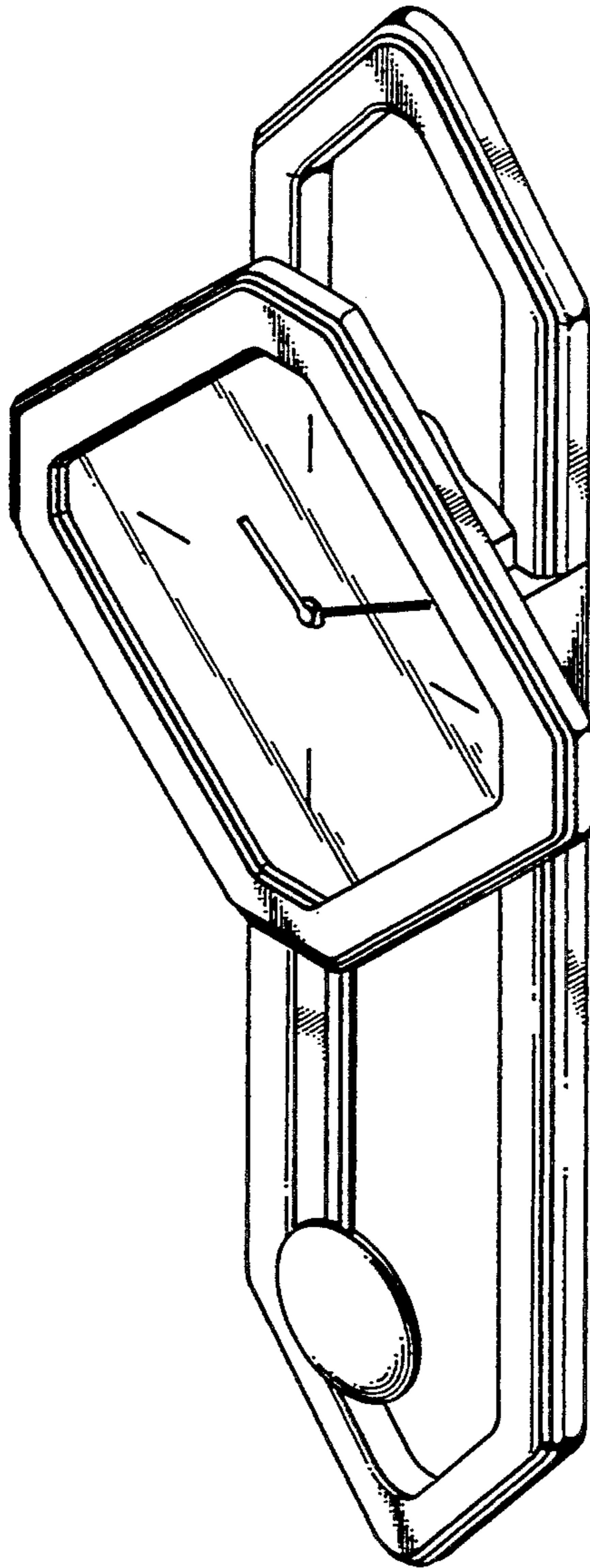
Primary Examiner—Nelson C. Holtje
Attorney, Agent, or Firm—Browdy and Neimark

[57] **CLAIM**

The ornamental design for clock, as shown and described.

DESCRIPTION

FIG. 1 is a front view of a clock of my new design;
FIG. 2 is a back view thereof;
FIG. 3 is a left side view thereof;
FIG. 4 is a right side view thereof;
FIG. 5 is a top plan view thereof;
FIG. 6 is a bottom view thereof; and,
FIG. 7 is a perspective view thereof.



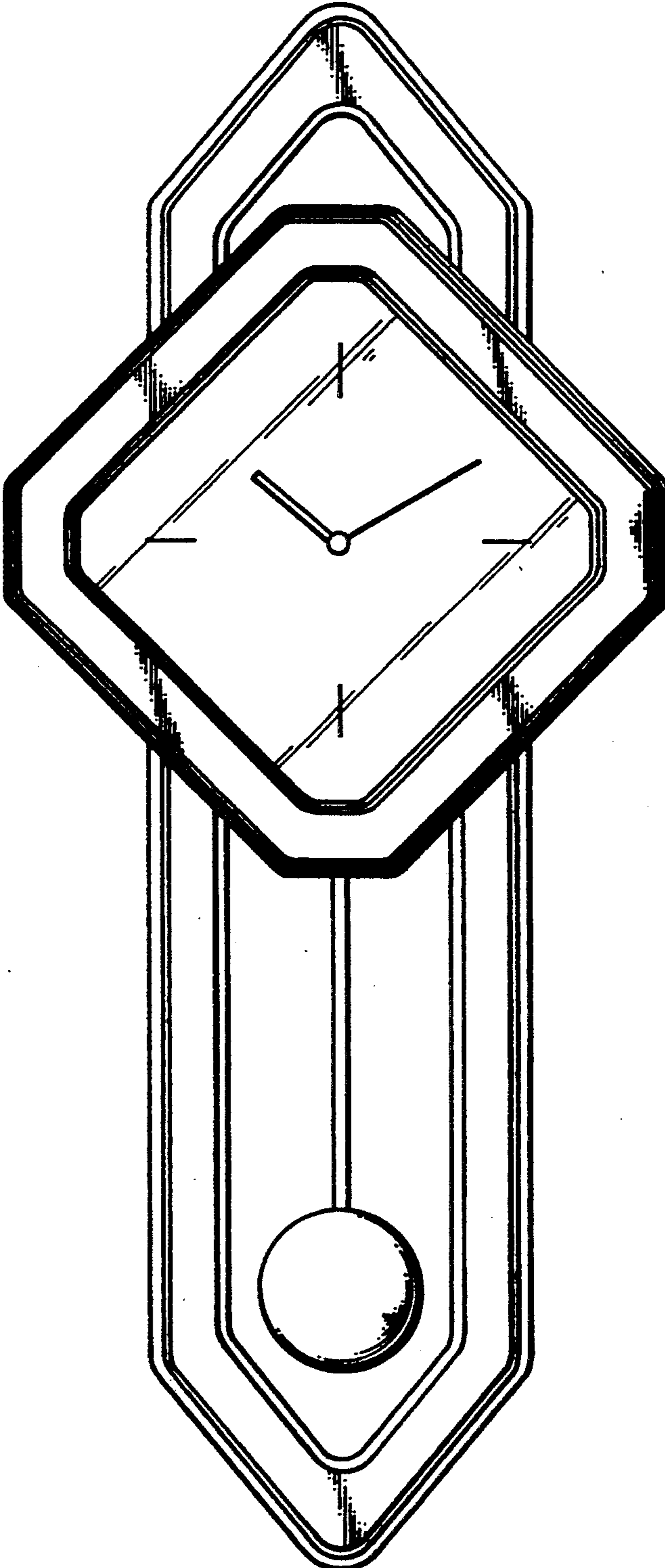


FIG. 1

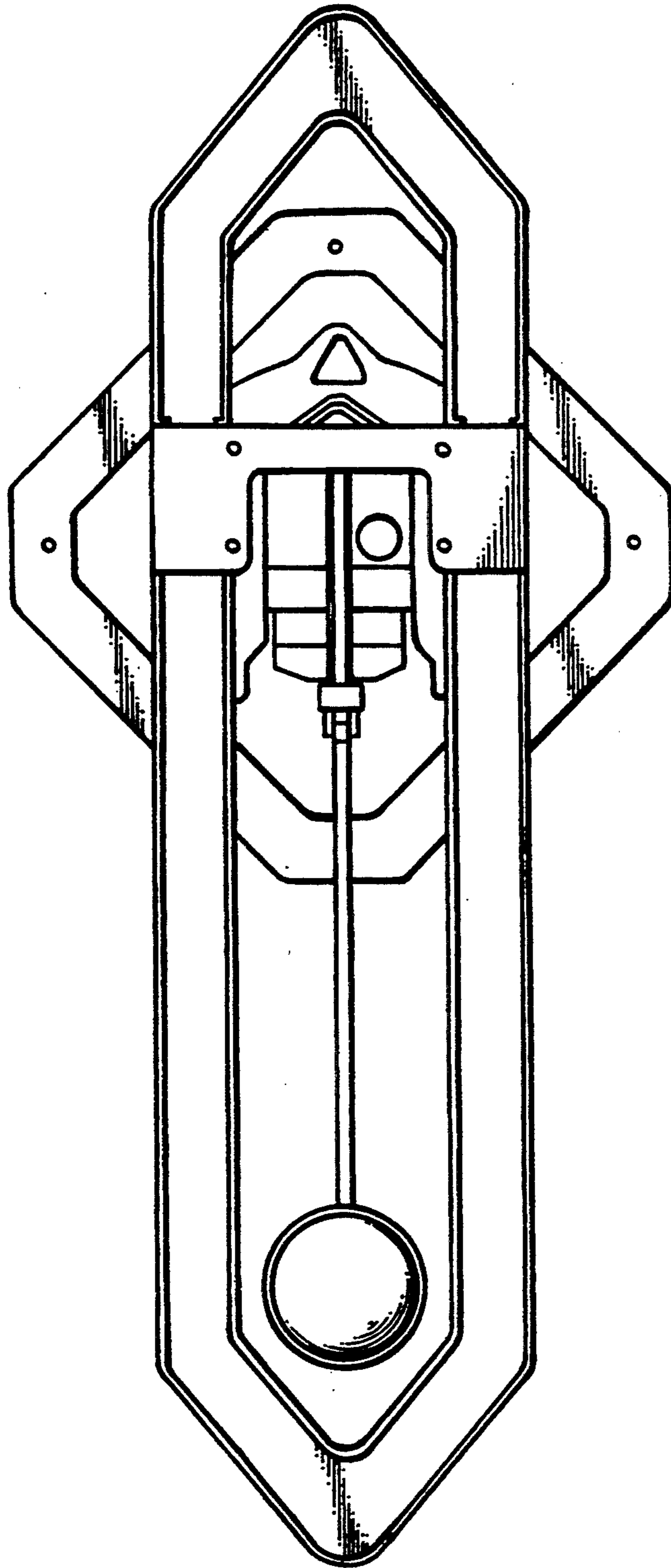


FIG. 2

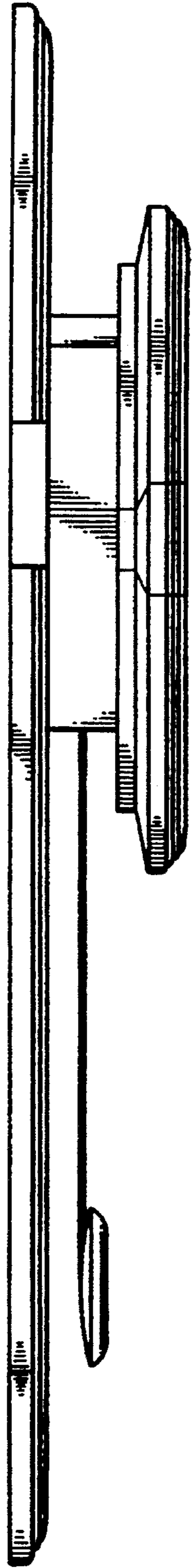


FIG. 3

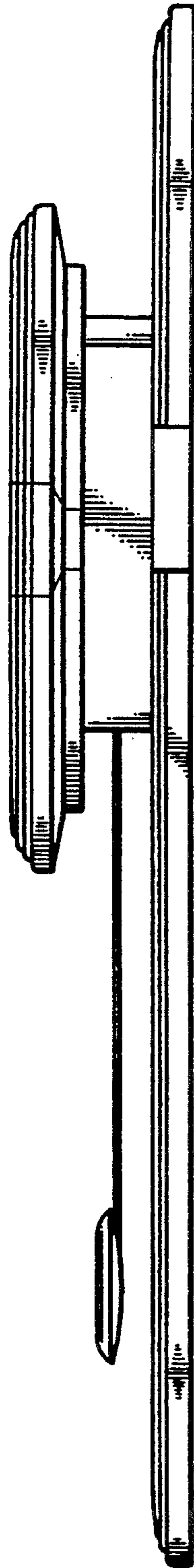


FIG. 4

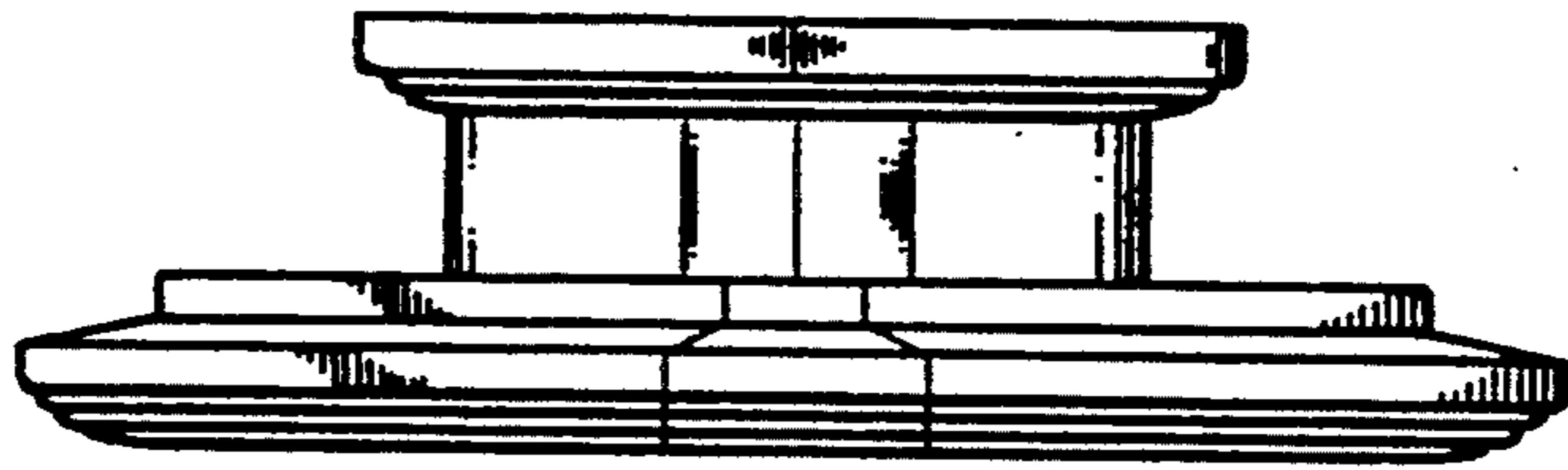


FIG. 5

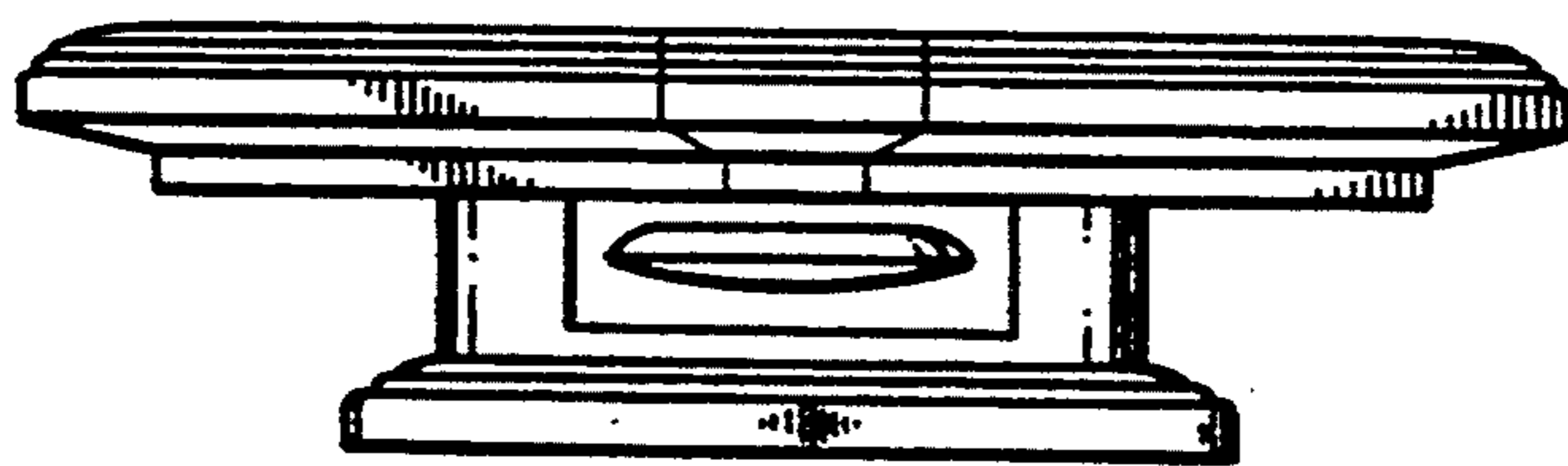


FIG. 6

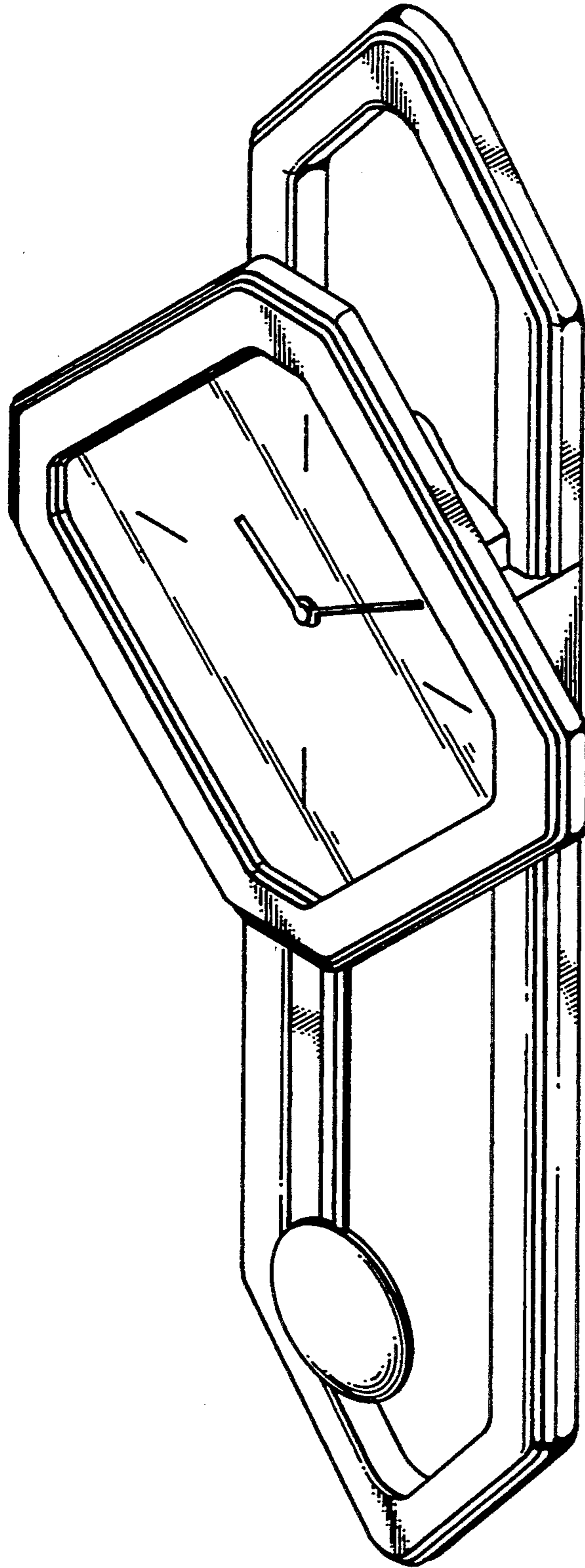


FIG.7