



US00D358987S

# United States Patent [19]

[11] Patent Number: **Des. 358,987**

Clutter et al.

[45] Date of Patent: **\*\* Jun. 6, 1995**

[54] **BURNER COVER PACKAGE**

5,209,354 5/1993 Thornhill et al. .... 206/469

[75] Inventors: **Tim Clutter, Celina; Jackie Schroeder, Kalida; Brent Long, Lima; Shelly Smith, Harrod; Martin Kvame, Huron, all of Ohio**

*Primary Examiner*—Prabhakar Deshmukh  
*Attorney, Agent, or Firm*—Calfee, Halter & Griswold

[73] Assignee: **Range Kleen Mfg., Inc., Lima, Ohio**

[57] **CLAIM**

The ornamental design for burner cover package, as shown and described.

[\*\*] Term: **14 Years**

**DESCRIPTION**

[21] Appl. No.: **15,459**

FIG. 1 is a front elevational view of burner cover package showing our new design;

[22] Filed: **Nov. 17, 1993**

FIG. 2 is a rear elevational view thereof;

[52] U.S. Cl. .... **D9/415**

FIG. 3 is a right side elevational view thereof; the left side elevational view being a mirror image thereof;

[58] Field of Search ..... **D9/415, 418, 456;**

**206/461-471, 44 R, 44.11, 576, 303, 304, 320, 553, 389, 411, 414, 426, 806**

FIG. 4 is a top plan view thereof;

FIG. 5 is a bottom plan view thereof;

FIG. 6 is a right side elevational view thereof; shown in an alternate position for clarity;

[56] **References Cited**

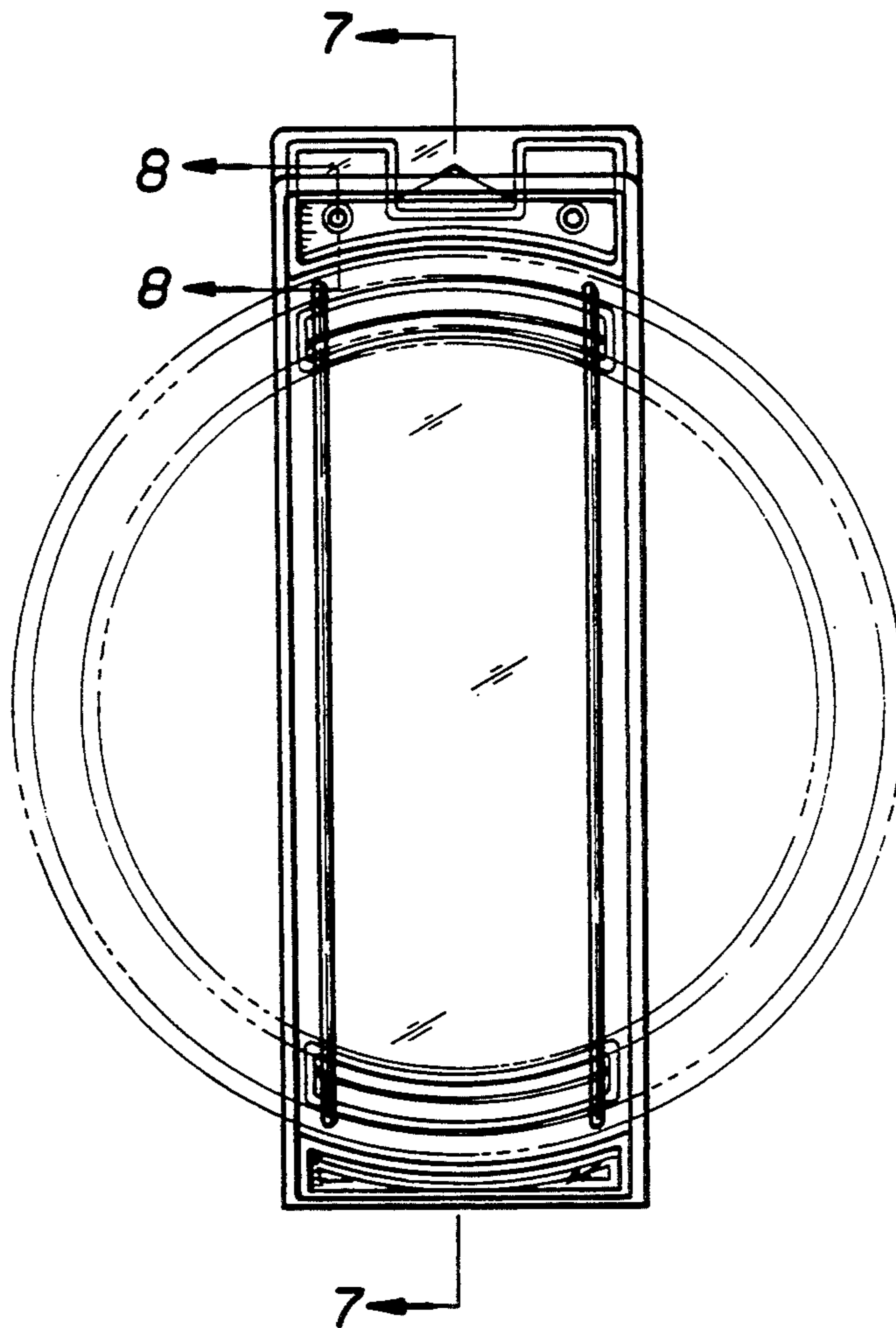
**U.S. PATENT DOCUMENTS**

D. 327,982	7/1992	Williams	.....	D9/415 X
4,610,354	9/1986	Hostetler	.....	206/427 X
4,613,038	9/1986	Kirk	.....	206/427 X
4,872,551	10/1989	Theros	.....	206/471 X

FIG. 7 is a sectional elevational view thereof; taken along line 7—7 of FIG. 1; and ,

FIG. 8 is a sectional elevational view thereof; taken along line 8—8 of FIG. 1.

The broken line of showing burner cover is for illustrative purpose only and forms no part of the claim.



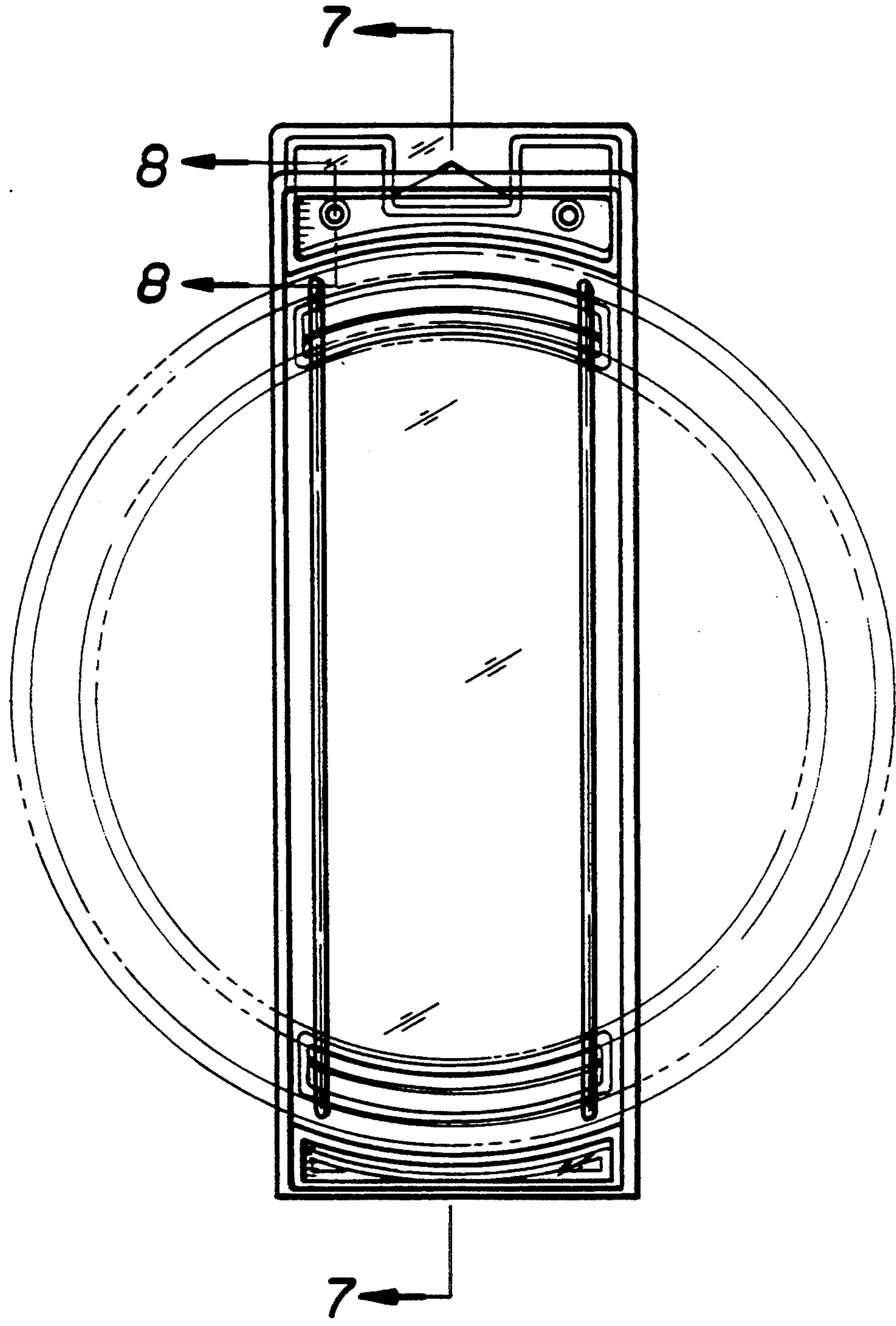


FIG. 1

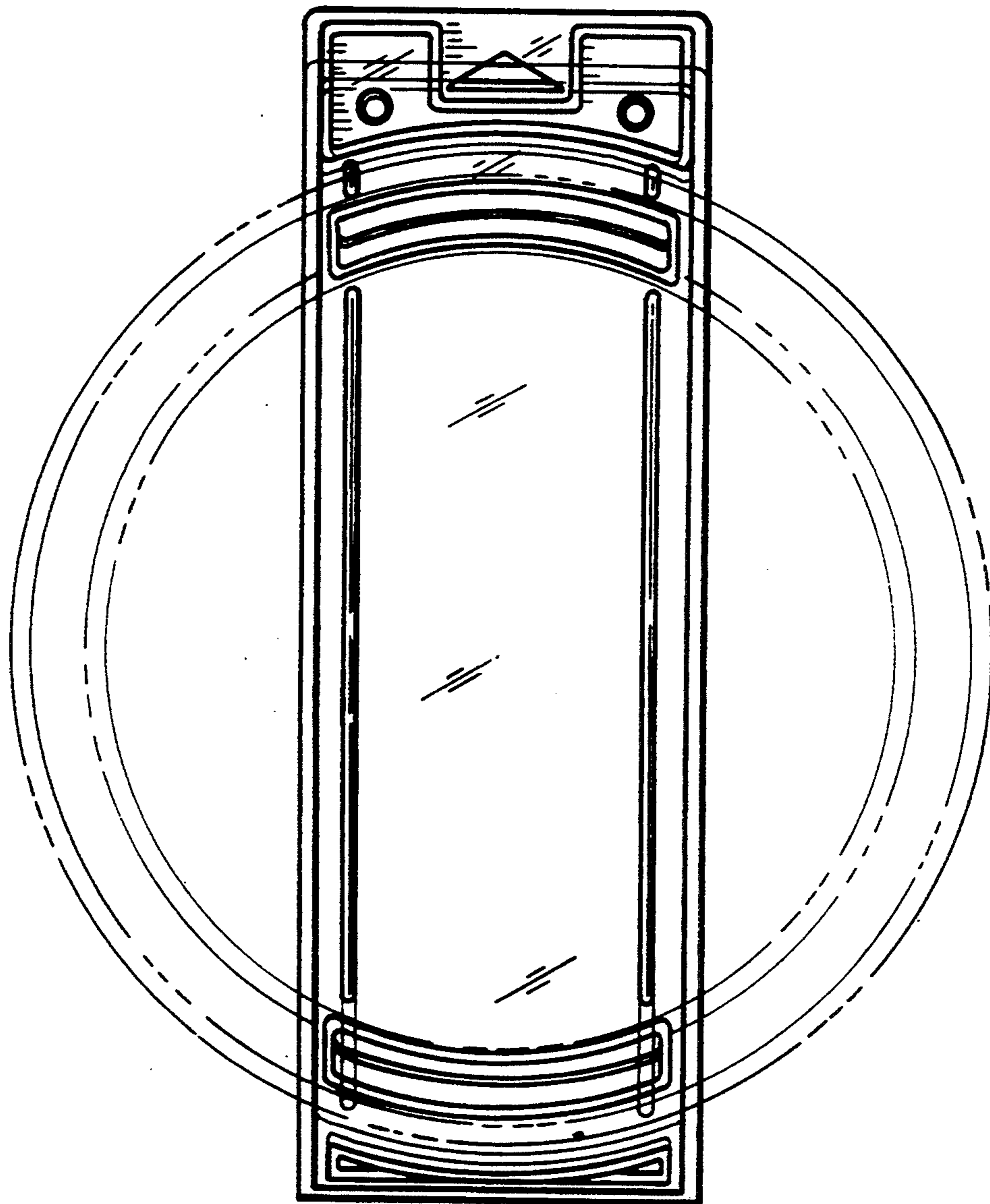


FIG. 2



FIG. 3



FIG. 4

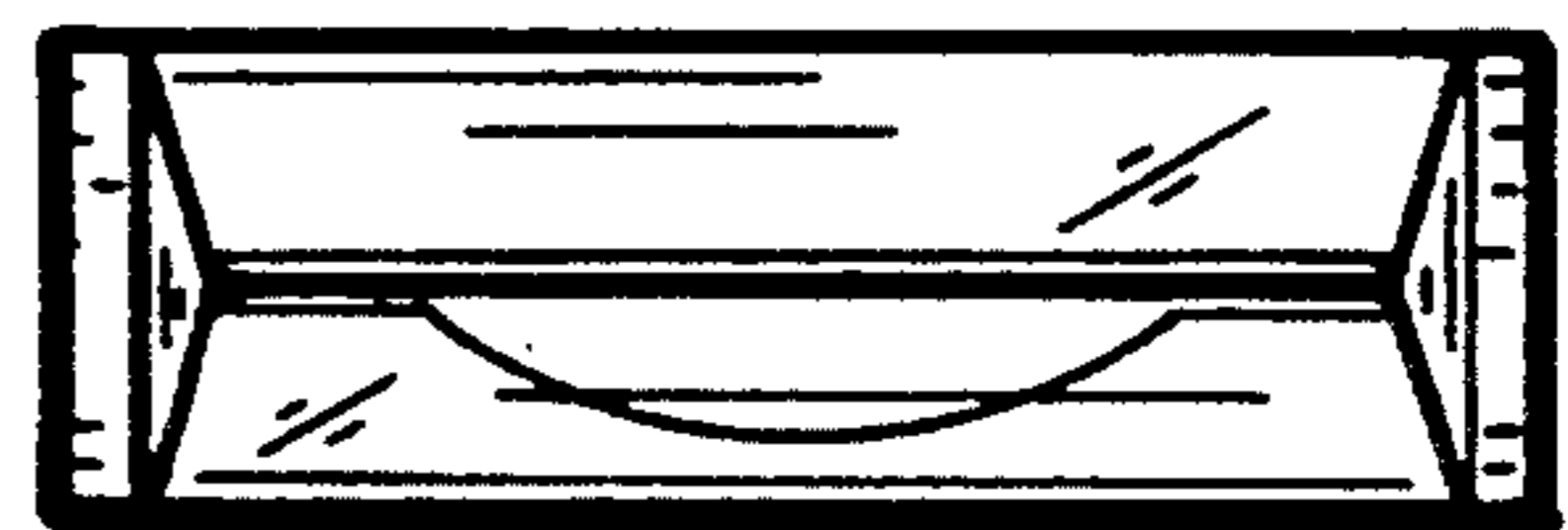


FIG. 5

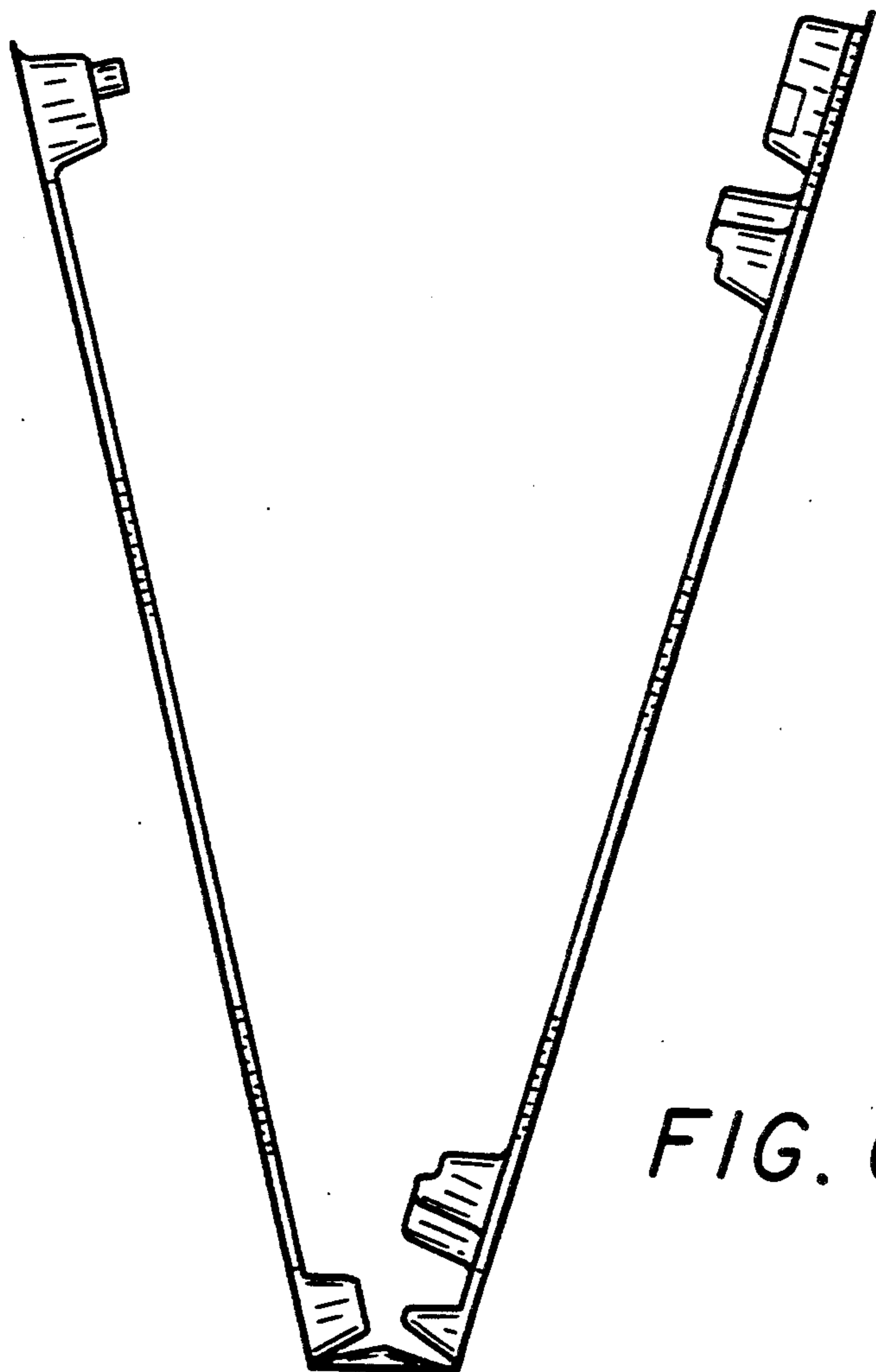


FIG. 6



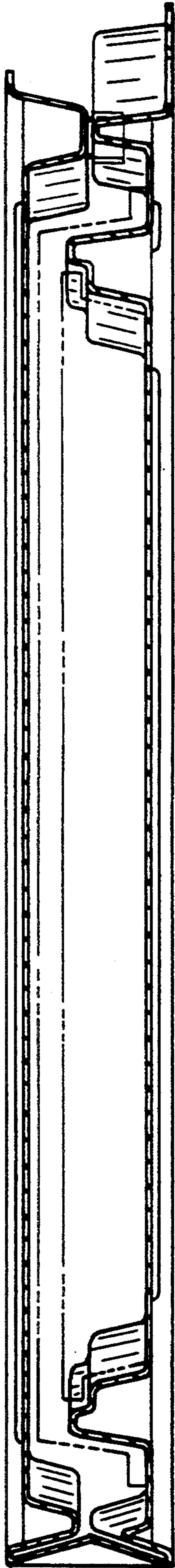


FIG. 7

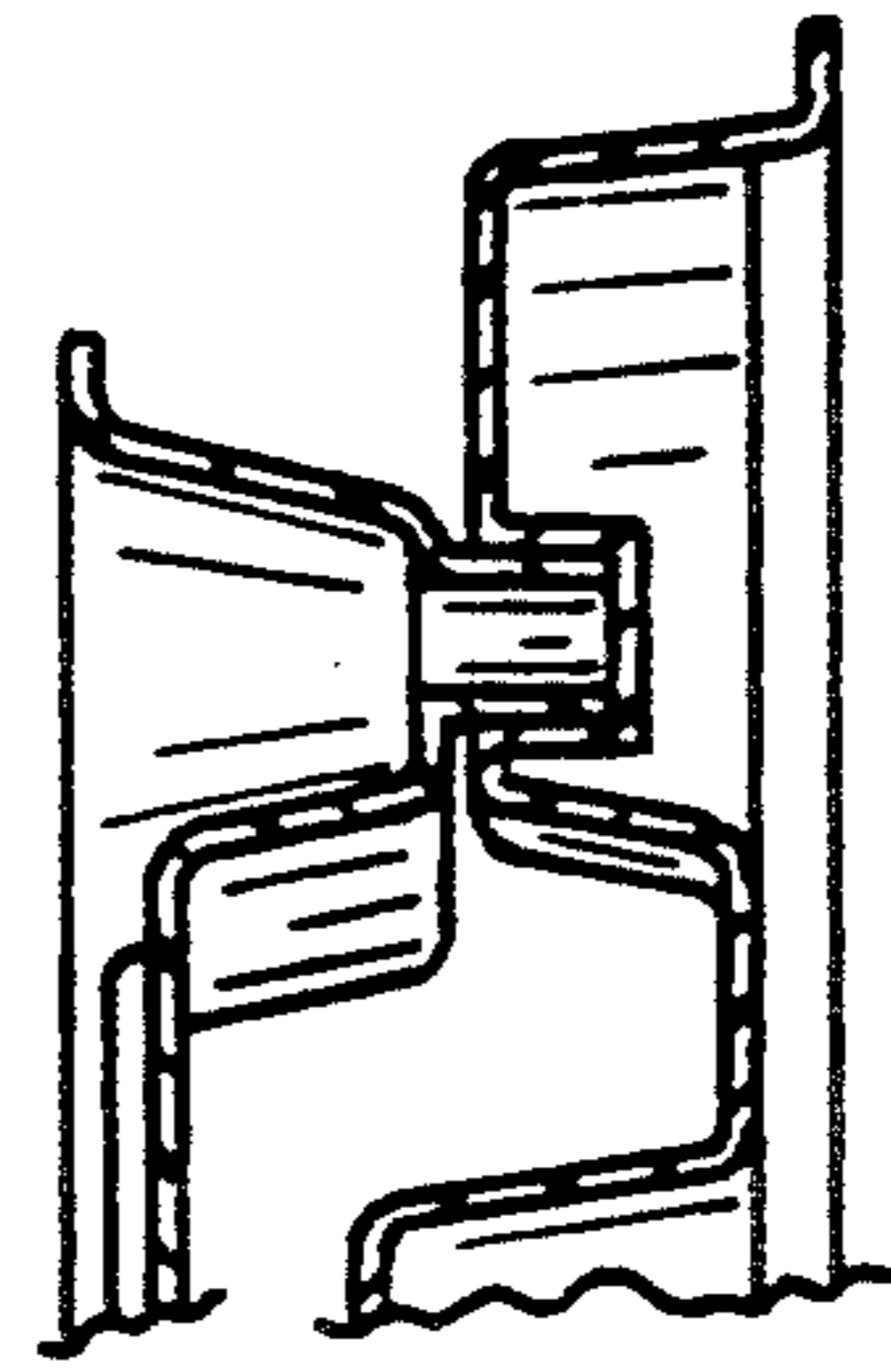


FIG. 8