



US00D358986S

United States Patent [19]

[11] Patent Number: **Des. 358,986**

Heyl et al.

[45] Date of Patent: **** Jun. 6, 1995**

[54] **ARTICLE DISPENSER**

[75] Inventors: **Pamela Heyl**, Bedminster, N.J.;
Rodney Gayle, Wilmington, Del.;
Gregg Gayle; **Harold R. Gayle**, both
of Bear, Del.

[73] Assignee: **Excerpta Medica, Inc.**, Belle Mead,
N.J.

[**] Term: **14 Years**

[21] Appl. No.: **21,704**

[22] Filed: **Apr. 22, 1994**

[52] U.S. Cl. **D9/341; D9/417;**
D9/347

[58] Field of Search **D9/417, 418, 414, 337,**
D9/341, 347; 206/534, 533, 538; 221/4-8, 91,
82-86; 222/516, 548, 565

[56] **References Cited**

U.S. PATENT DOCUMENTS

D. 273,805	5/1984	Filhol	D9/341 X
D. 348,219	6/1994	Goldberg	D9/429 X
2,943,730	7/1960	Tregilgas .	
3,561,592	2/1971	McCool	206/534
3,570,707	3/1971	Finkel .	
3,744,672	7/1973	Dangles et al. .	
3,926,335	12/1975	Dangles et al. .	
4,015,717	4/1977	Richardson et al.	206/534
4,117,952	10/1978	Grimes .	
4,124,143	11/1978	Thomas	206/534 X

4,128,188	12/1978	White .	
4,572,376	2/1986	Wrennall	206/534 X
4,601,413	7/1986	Krawagna	222/516 X
5,322,166	6/1994	Crowther	206/534 X

Primary Examiner—Prabhakar G. Deshmukh
Attorney, Agent, or Firm—Finnegan, Henderson,
Farabow, Garrett & Dunner

[57] **CLAIM**

The ornamental design for article dispenser, as shown
and described.

DESCRIPTION

FIG. 1 is a top plan view of the article dispenser em-
bodying our new design;
FIG. 2 is a side, elevation view of the design of FIG. 1,
the opposite side, elevation view being a mirror image
thereof;
FIG. 3 is a front, elevation view of the design of FIG.
1;
FIG. 4 is a back, elevation view of the design of FIG. 1;
FIG. 5 is a perspective view of the design of FIG. 1;
FIG. 6 is a perspective view of another embodiment of
our new design, wherein all features not shown in this
perspective view are the same as those of the embodi-
ment of FIGS. 1-5; and,
FIG. 7 is a perspective view of an additional embodi-
ment of our new design, wherein all features not shown
in this perspective view are the same as those of the
embodiment of FIGS. 1-5.

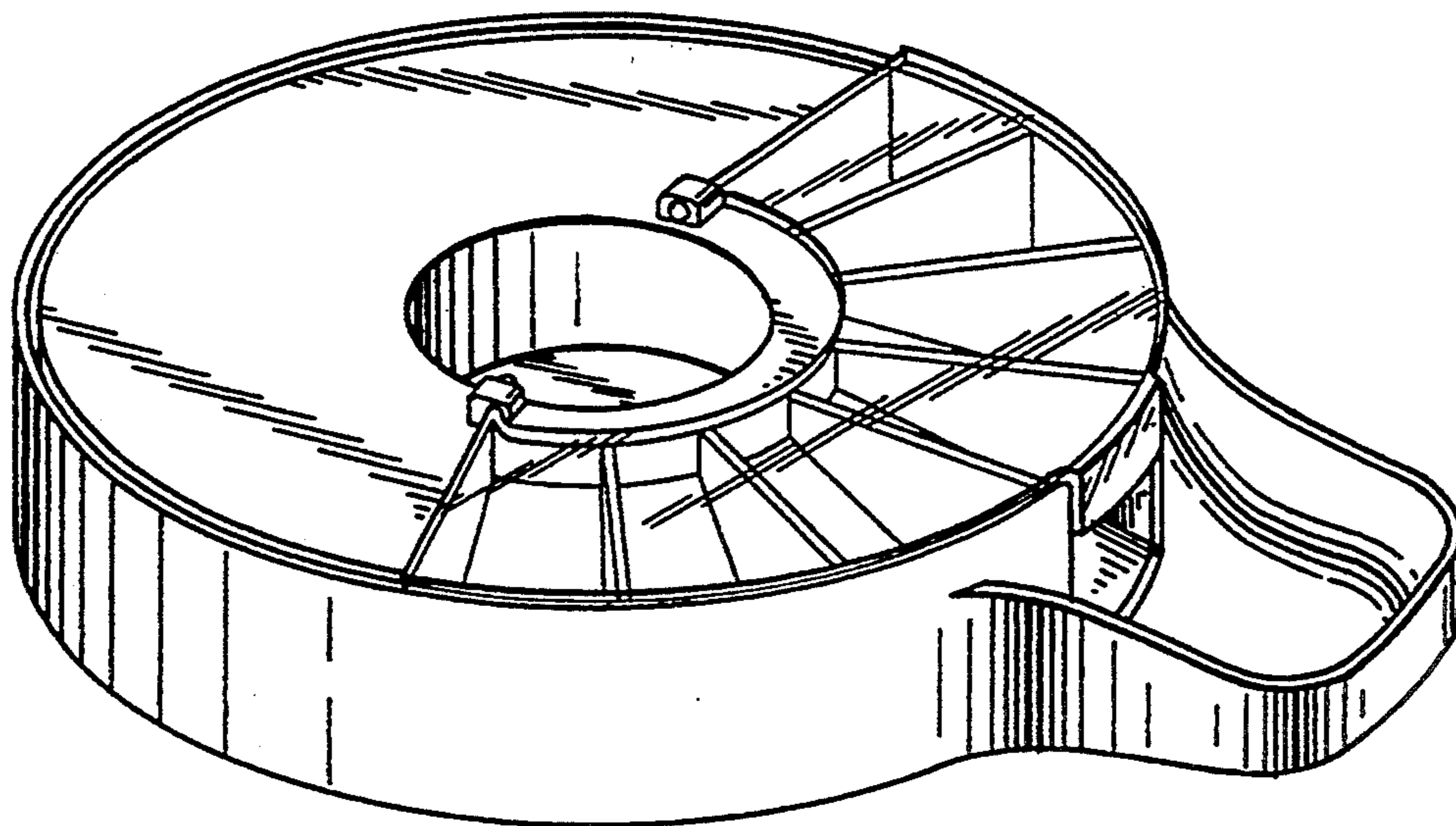


FIG. 1

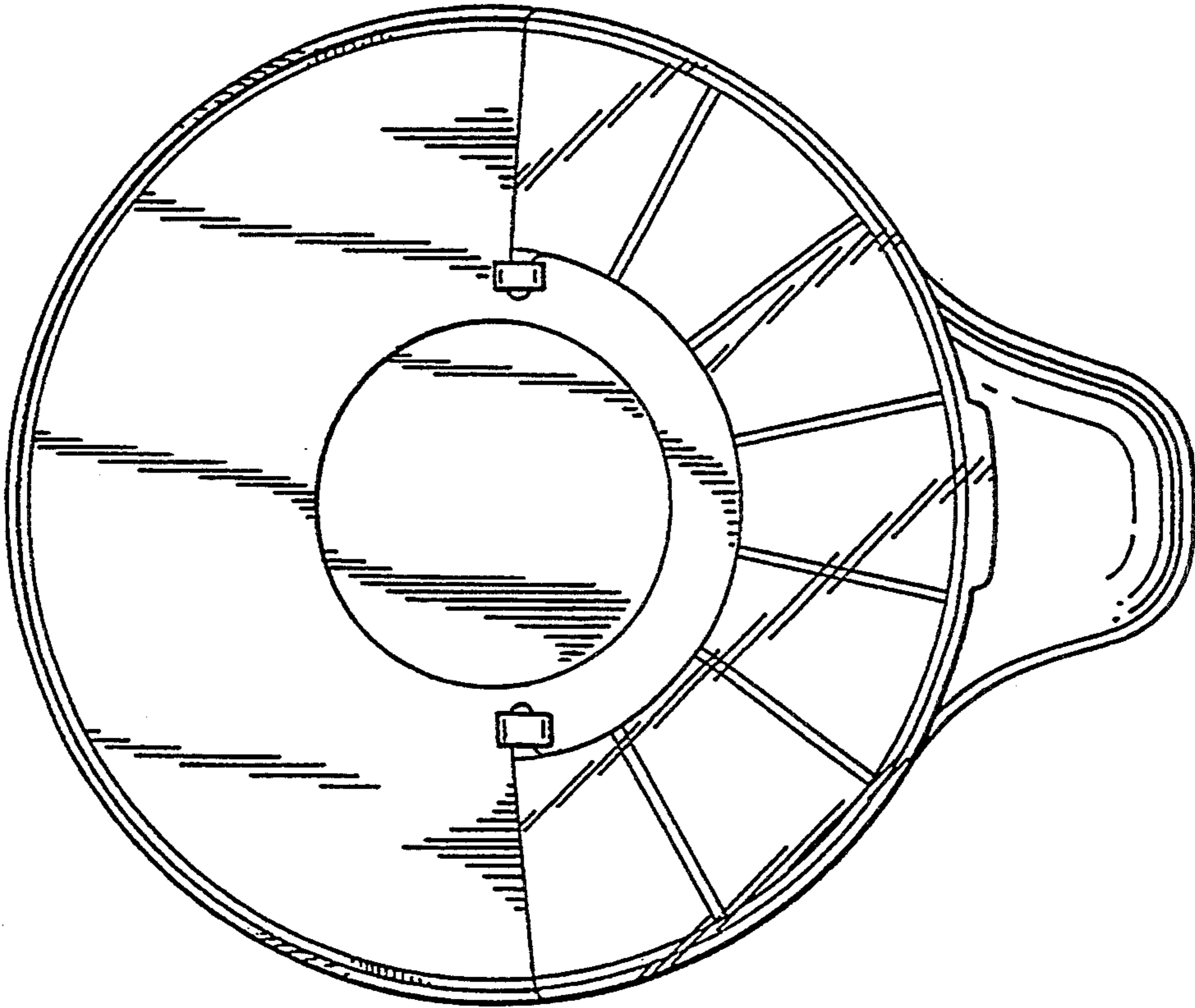


FIG. 2

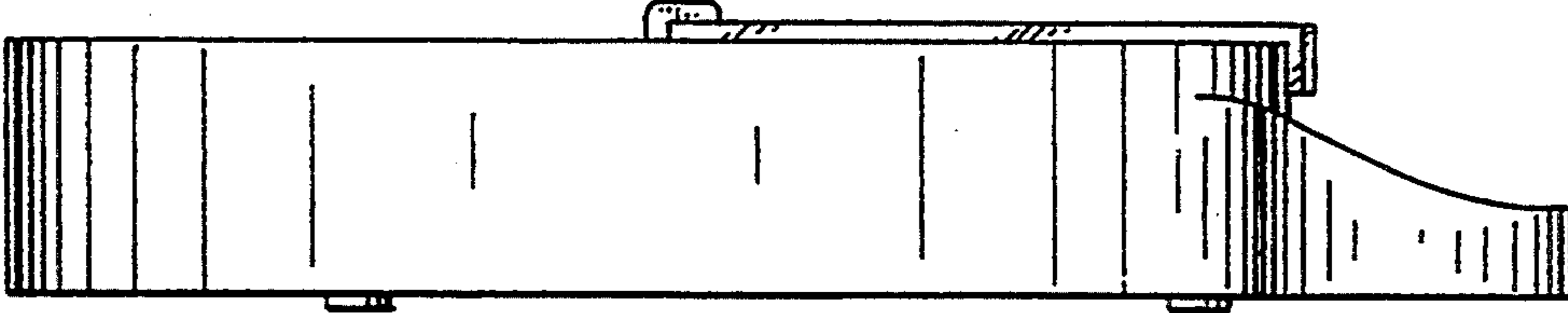


FIG. 3

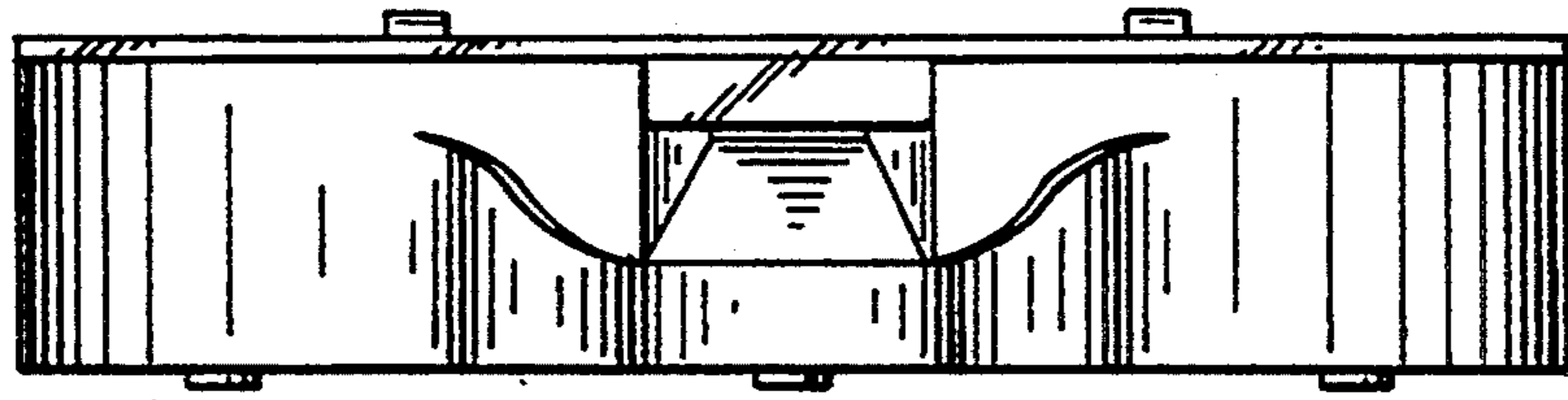


FIG. 4

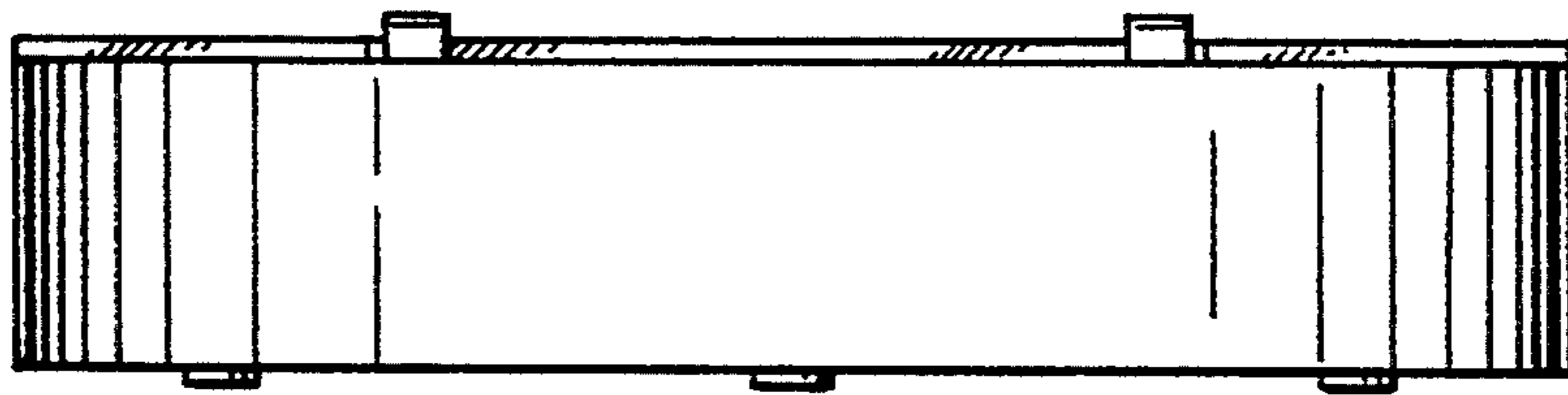


FIG. 5

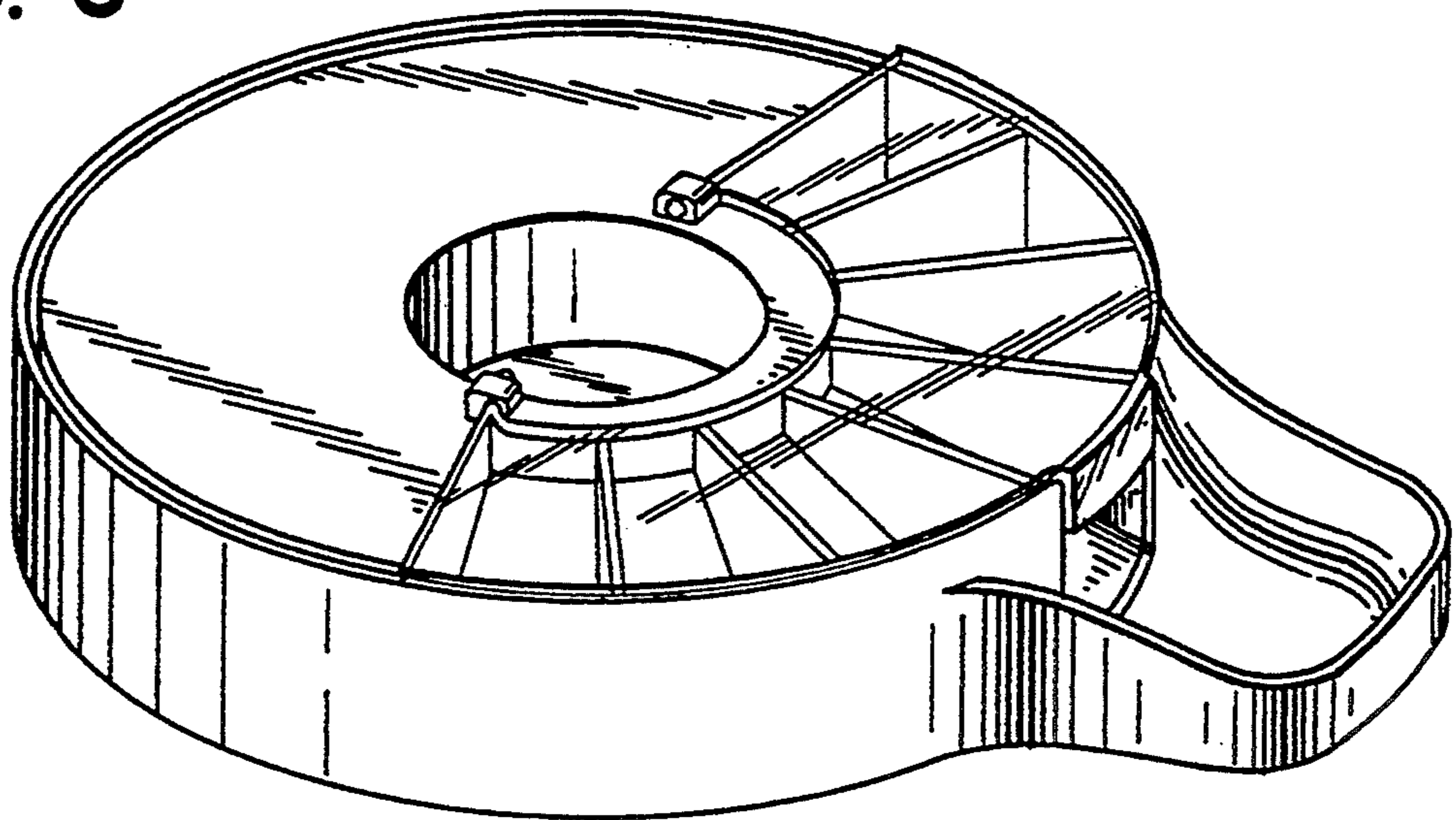


FIG. 6

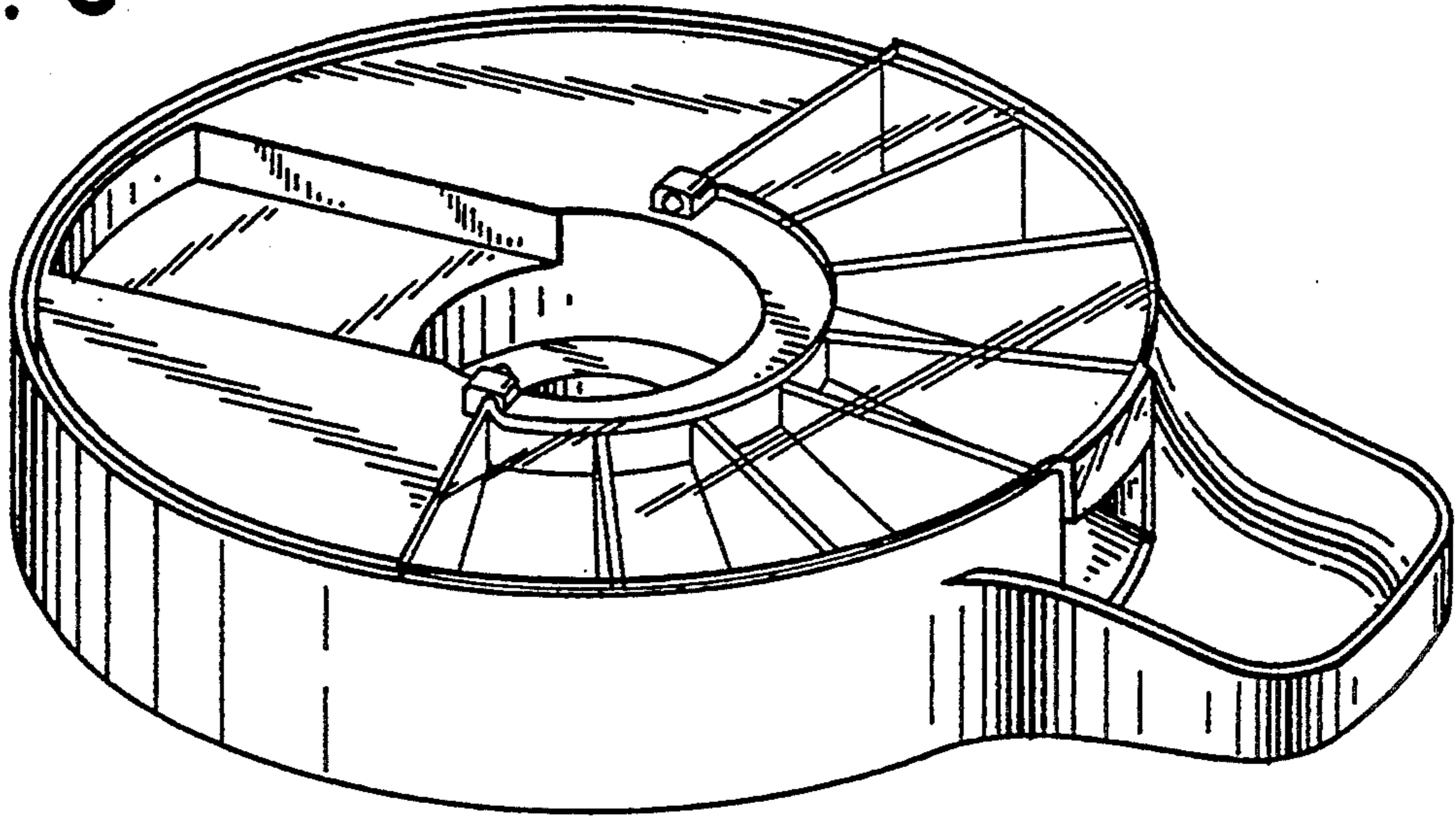


FIG. 7

