



US00D358980S

# United States Patent [19]

[11] Patent Number: **Des. 358,980**

**Mockett**

[45] Date of Patent: **\*\* Jun. 6, 1995**

[54] **GROMMET WITH PIVOTING TAB**

4,822,079 4/1989 Schulte ..... 285/162  
5,167,047 12/1992 Plumley ..... 16/2

[75] Inventor: **Douglas A. J. Mockett**, Rancho Palos Verdes, Calif.

*Primary Examiner*—James M. Gandy  
*Assistant Examiner*—Holly Baynham  
*Attorney, Agent, or Firm*—Sanford Astor

[73] Assignee: **Doug Mockett & Company, Inc.**, Manhattan Beach, Calif.

[\*\*] Term: **14 Years**

[57] **CLAIM**

[21] Appl. No.: **25,066**

The ornamental design for a grommet with pivoting tab, as shown and described.

[22] Filed: **Jun. 27, 1994**

**DESCRIPTION**

[52] U.S. Cl. .... **D8/356**

FIG. 1 is a perspective view of the grommet with pivoting tab of my new design showing the tab in the closed position;

[58] Field of Search ..... D8/356, 400; 16/2; 248/56; 174/153 G; 24/713.6

FIG. 2 is a front elevational view thereof;

FIG. 3 is a back elevational view thereof;

[56] **References Cited**

**U.S. PATENT DOCUMENTS**

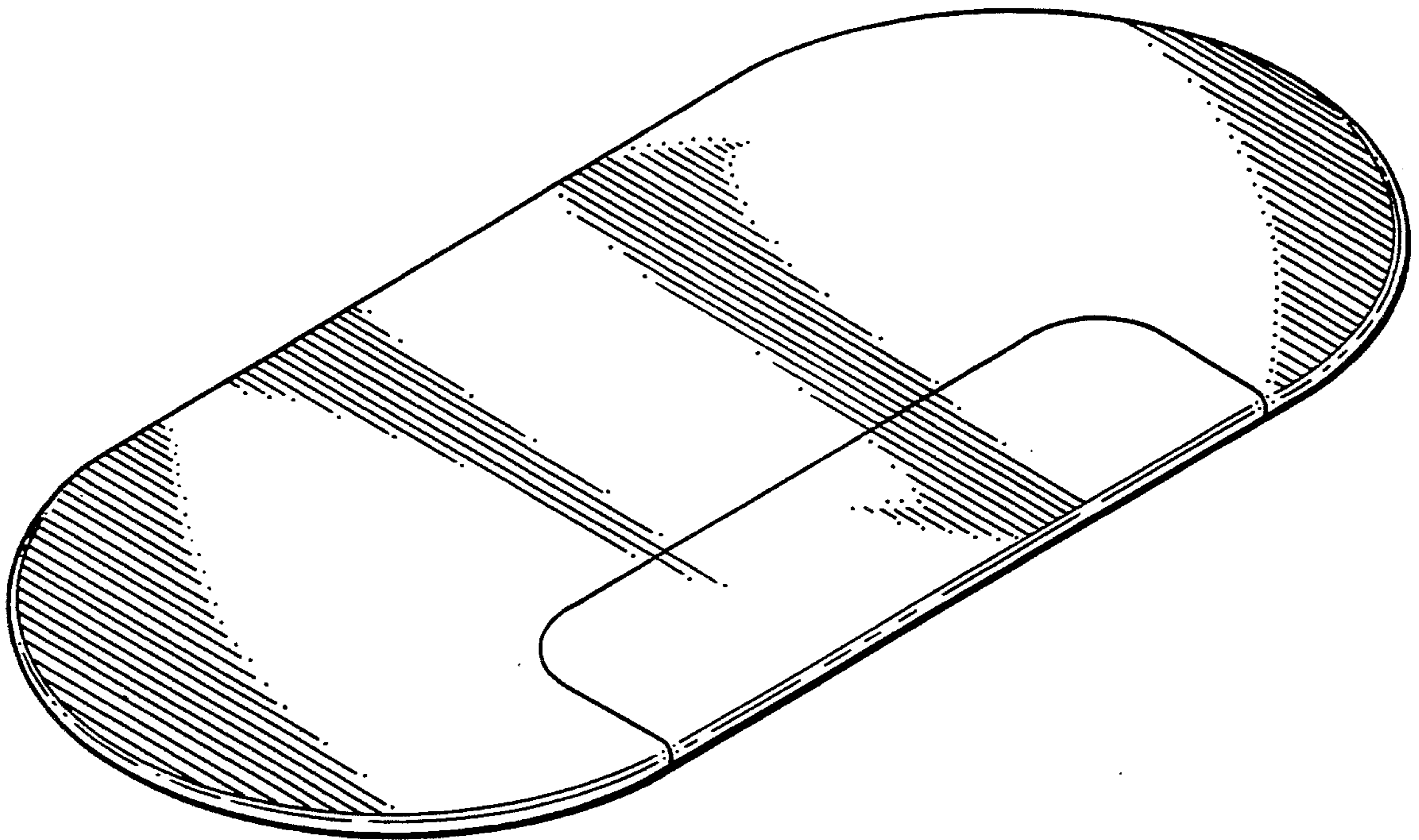
D. 285,044	8/1986	Mockett	.....	D8/354
D. 296,761	7/1988	Mockett	.....	D8/400
D. 324,488	3/1992	Fujimoto	.....	D8/356
4,520,976	6/1985	Cournoyer et al.	.....	248/56
4,730,363	3/1988	Asbaghi	.....	16/2

FIG. 4 is a side elevational view thereof, both sides being the same;

FIG. 5 is a top plan view thereof;

FIG. 6 is a bottom view thereof; and,

FIG. 7 is a reduced perspective view thereof with the tab pivoted to the open position.



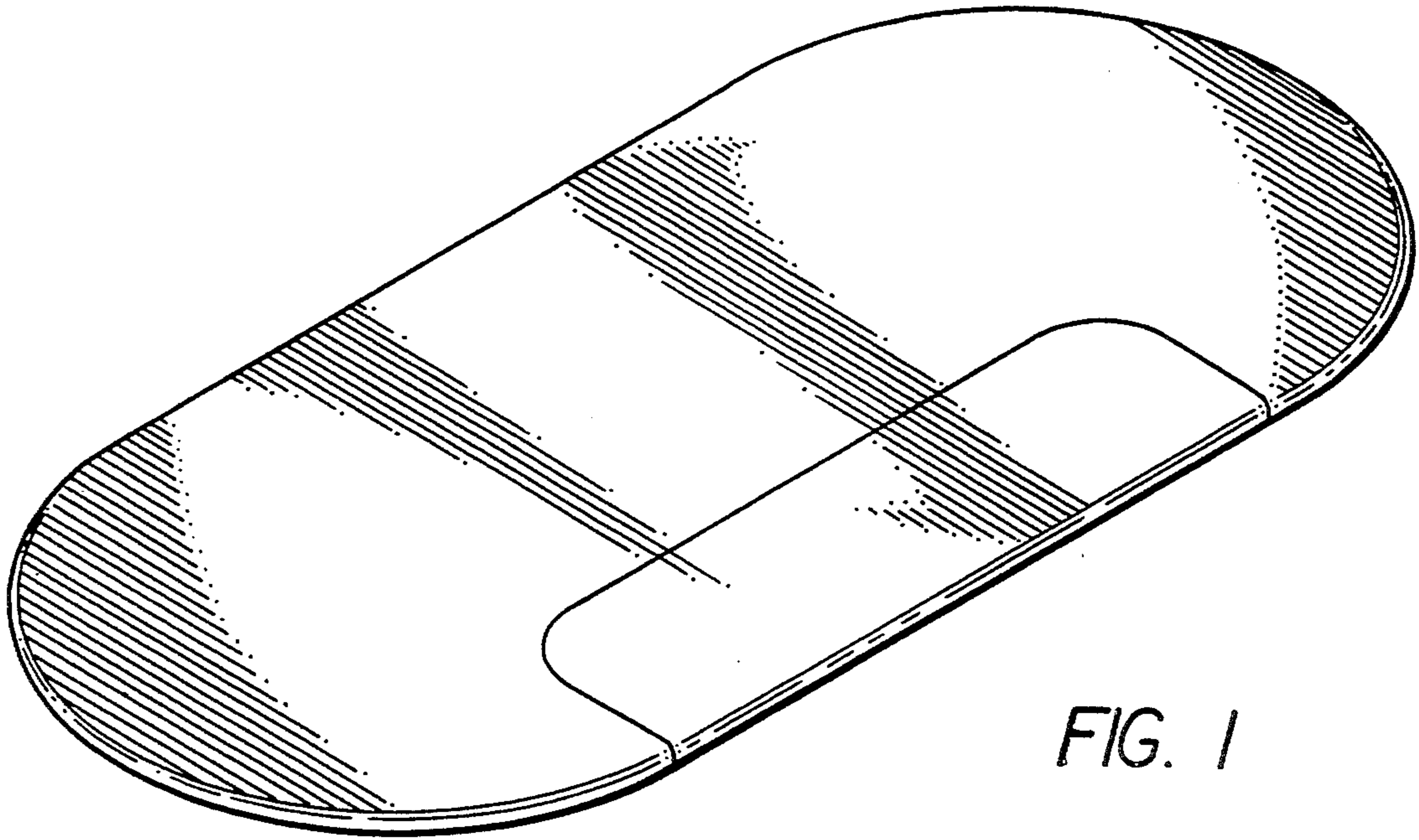


FIG. 1



FIG. 2



FIG. 3

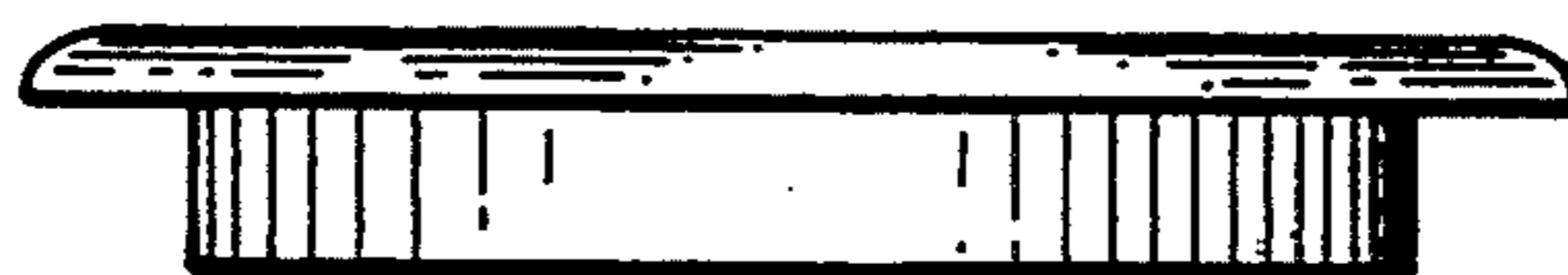


FIG. 4

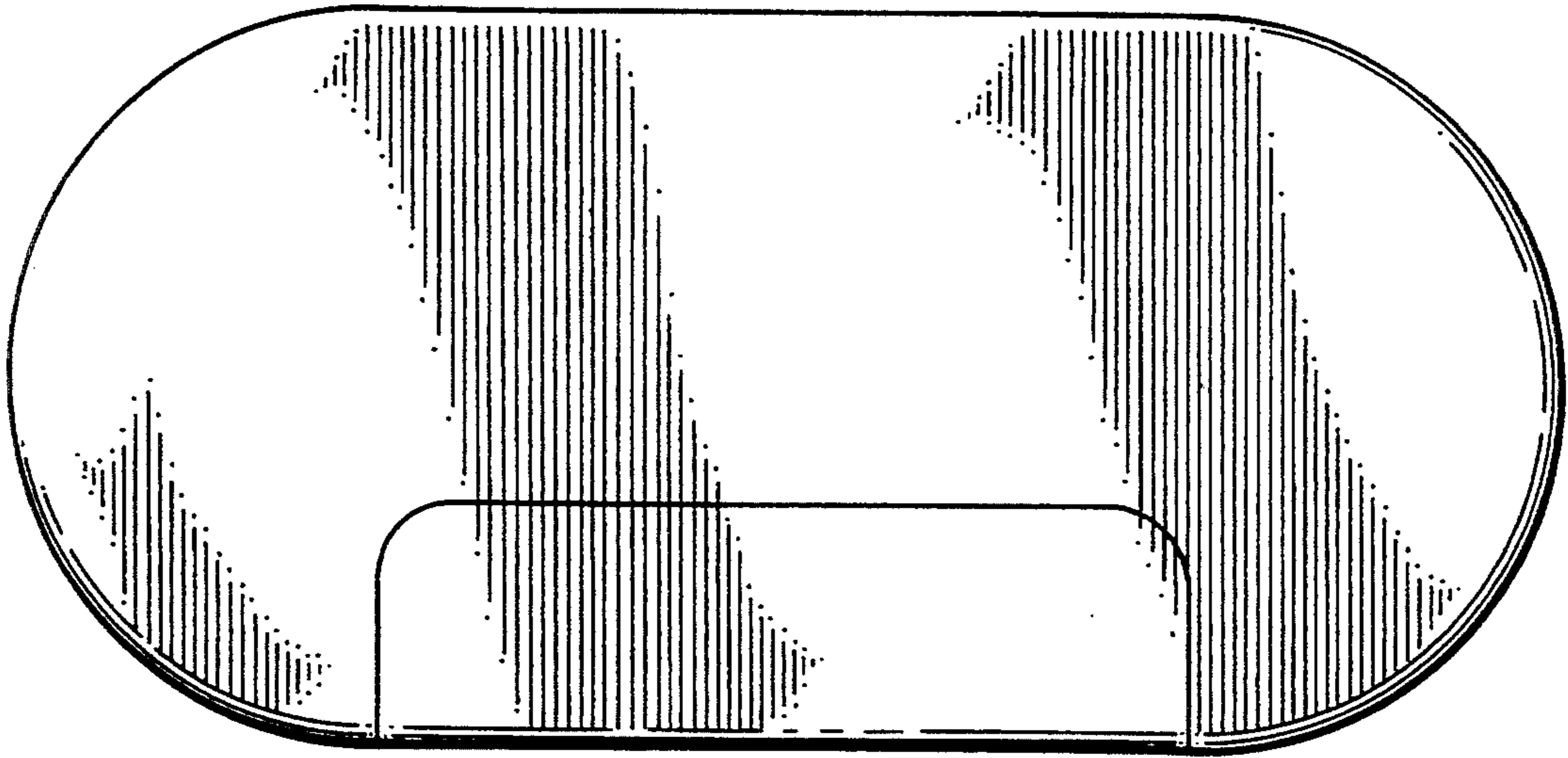


FIG. 5

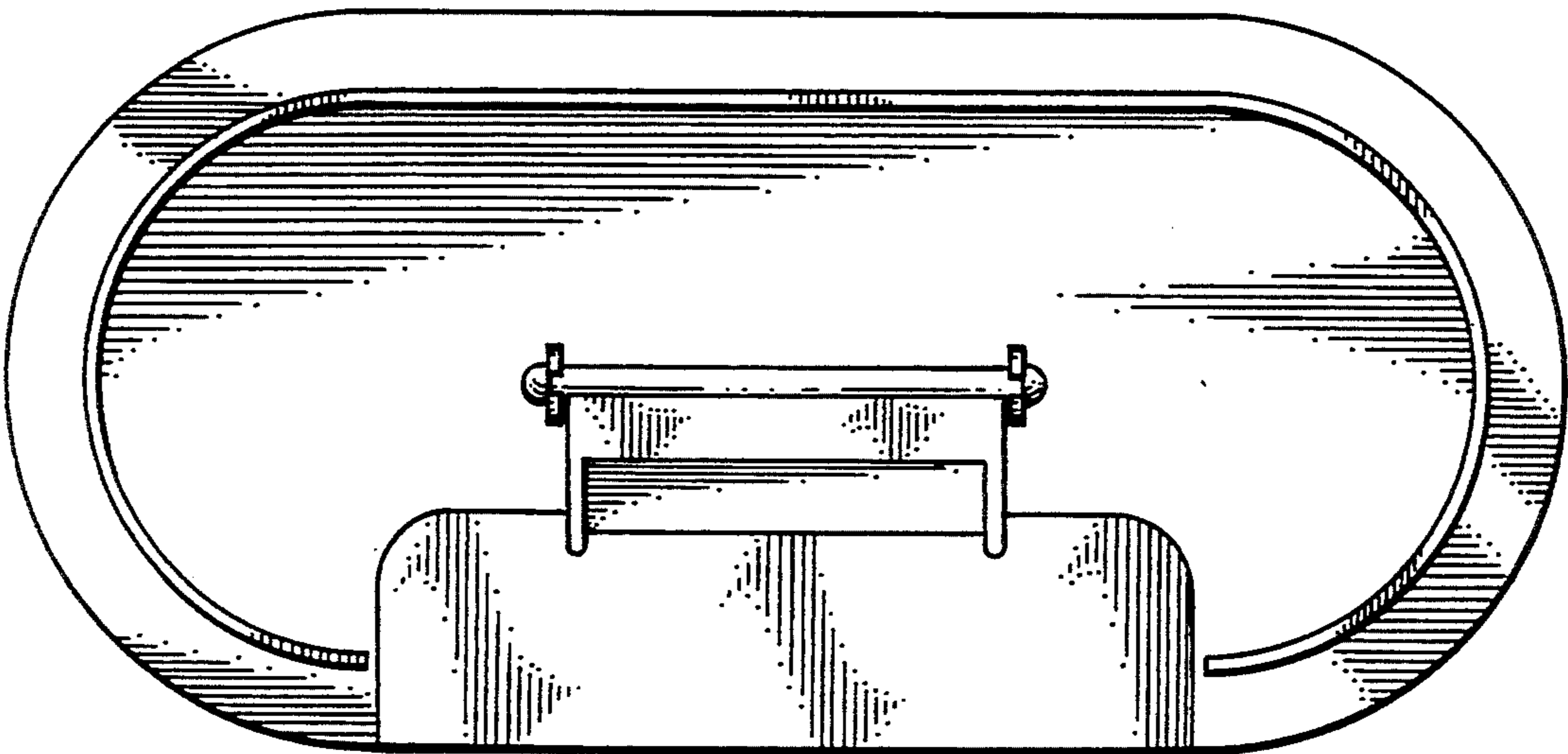


FIG. 6

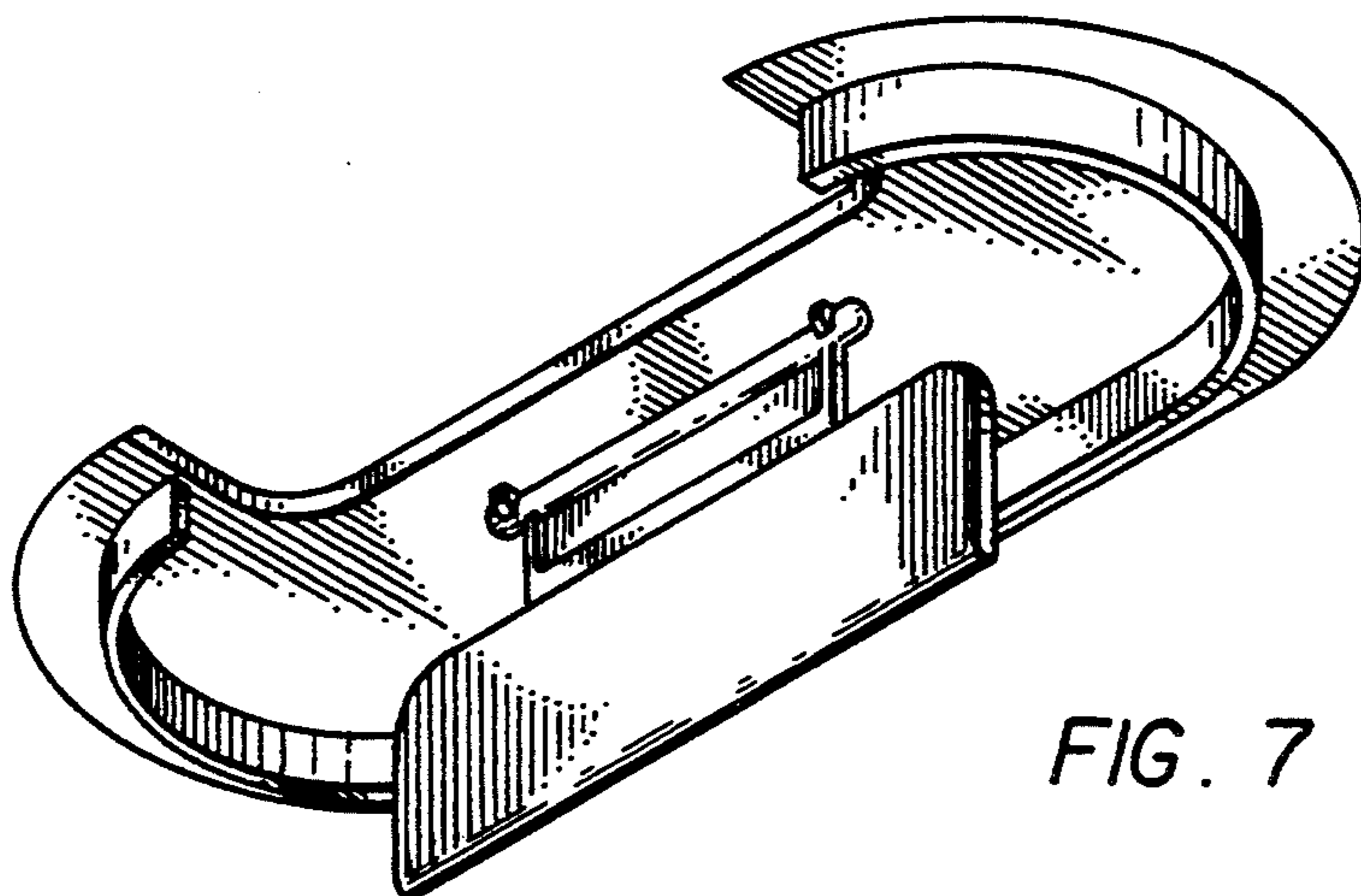


FIG. 7