



US00D358976S

# United States Patent [19]

[11] Patent Number: **Des. 358,976**

**Gisiger**

[45] Date of Patent: **\*\* Jun. 6, 1995**

[54] **LUGGAGE LOCK**

[76] Inventor: **Urs Gisiger, Schulhausstrasse 19,  
2545 Selzach, Switzerland**

[\*\*] Term: **14 Years**

[21] Appl. No.: **20,393**

[22] Filed: **Mar. 25, 1994**

[52] U.S. Cl. .... **D8/331**

[58] Field of Search ..... **D8/330-331,  
D8/339, 341-342; 70/57, 64, 67, 69-72;  
292/DIG. 42, DIG. 48**

[56] **References Cited**

**U.S. PATENT DOCUMENTS**

- D. 283,005 3/1986 Gisiger ..... D8/331
- D. 291,772 9/1987 Gisiger ..... D8/331

- D. 291,774 9/1987 Gisiger ..... D8/341
- D. 332,907 2/1993 Gisiger ..... D8/331
- 4,343,162 8/1982 Giacometti ..... 70/71 X
- 4,719,477 1/1988 Hwang ..... 70/67 X

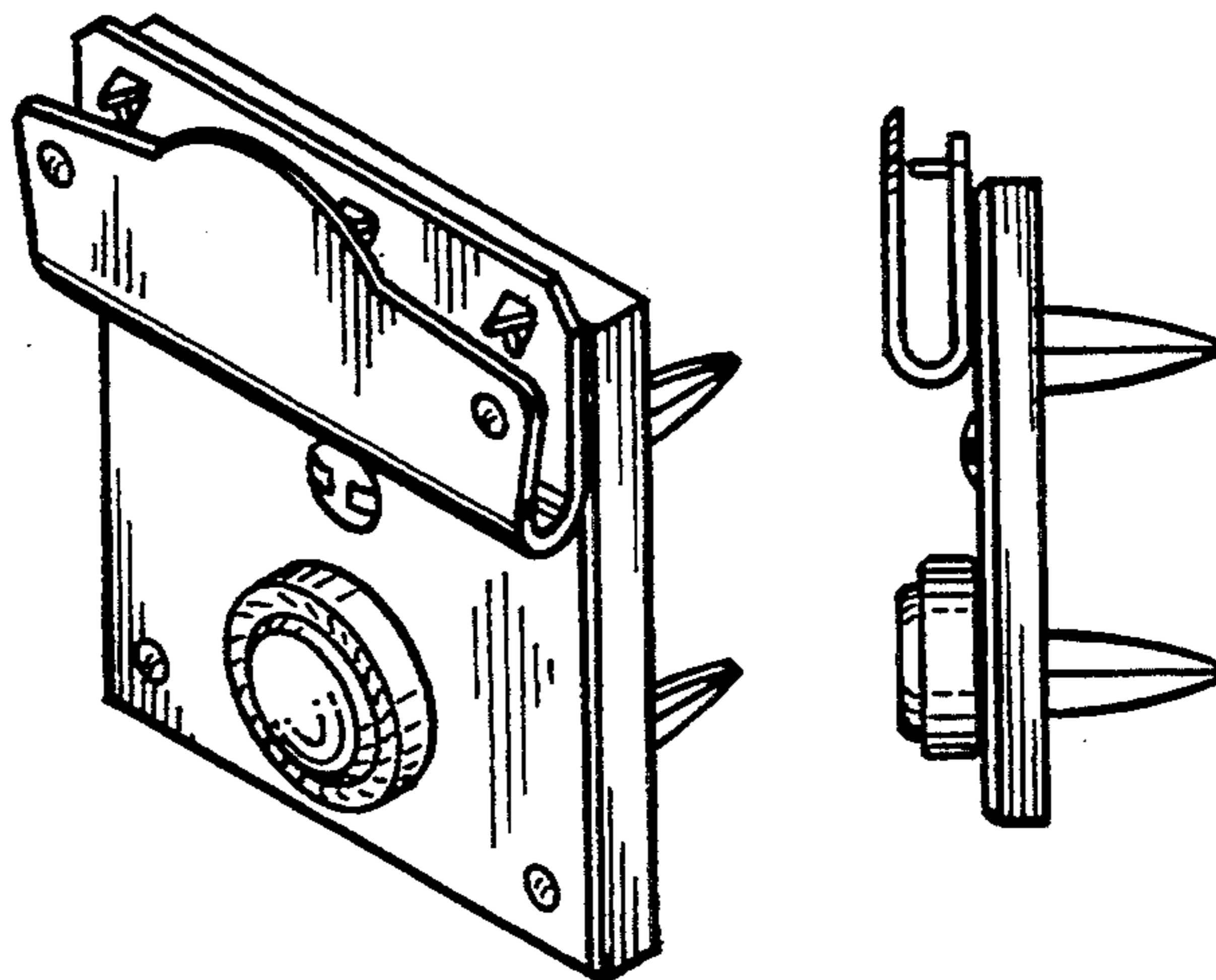
*Primary Examiner*—Brian N. Vinson

[57] **CLAIM**

The ornamental design for luggage lock, as shown and described.

**DESCRIPTION**

FIG. 1 is a perspective view of luggage lock showing my new design;  
 FIG. 2 is a plan view thereof;  
 FIG. 3 is a front elevational view thereof;  
 FIG. 4 is a right side elevational view thereof, the left side elevational view being a mirror image thereof;  
 FIG. 5 is a bottom view thereof; and,  
 FIG. 6 is a rear elevational view thereof.



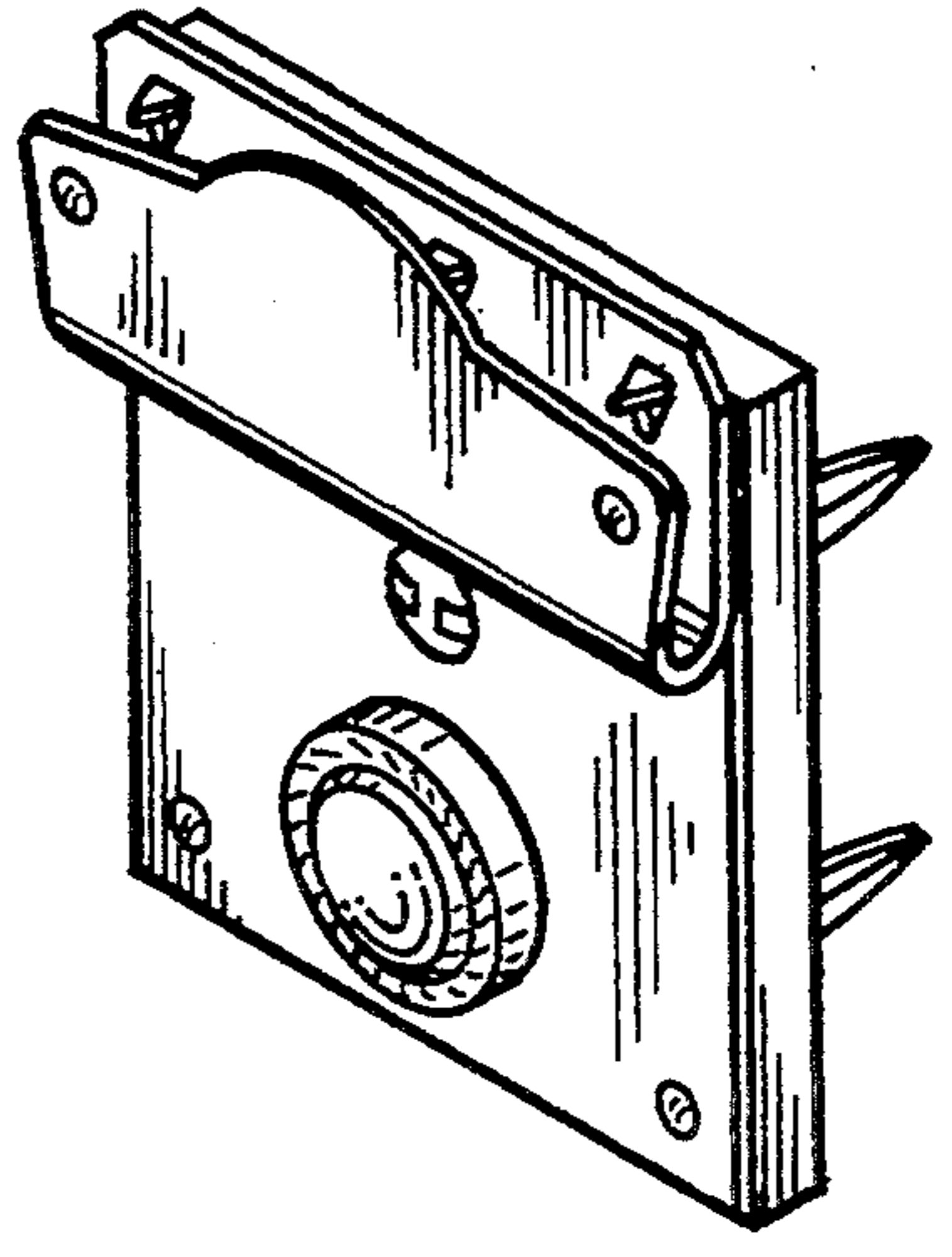


FIG. 1

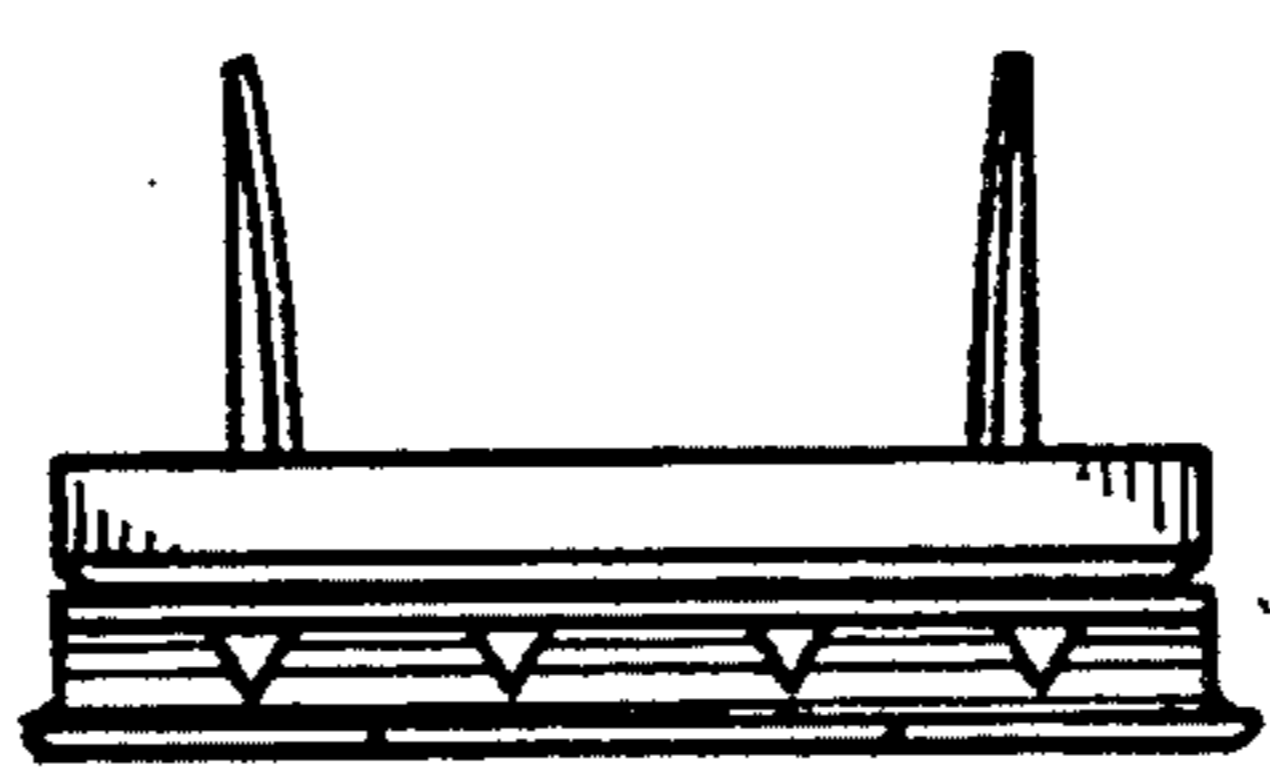


FIG. 2

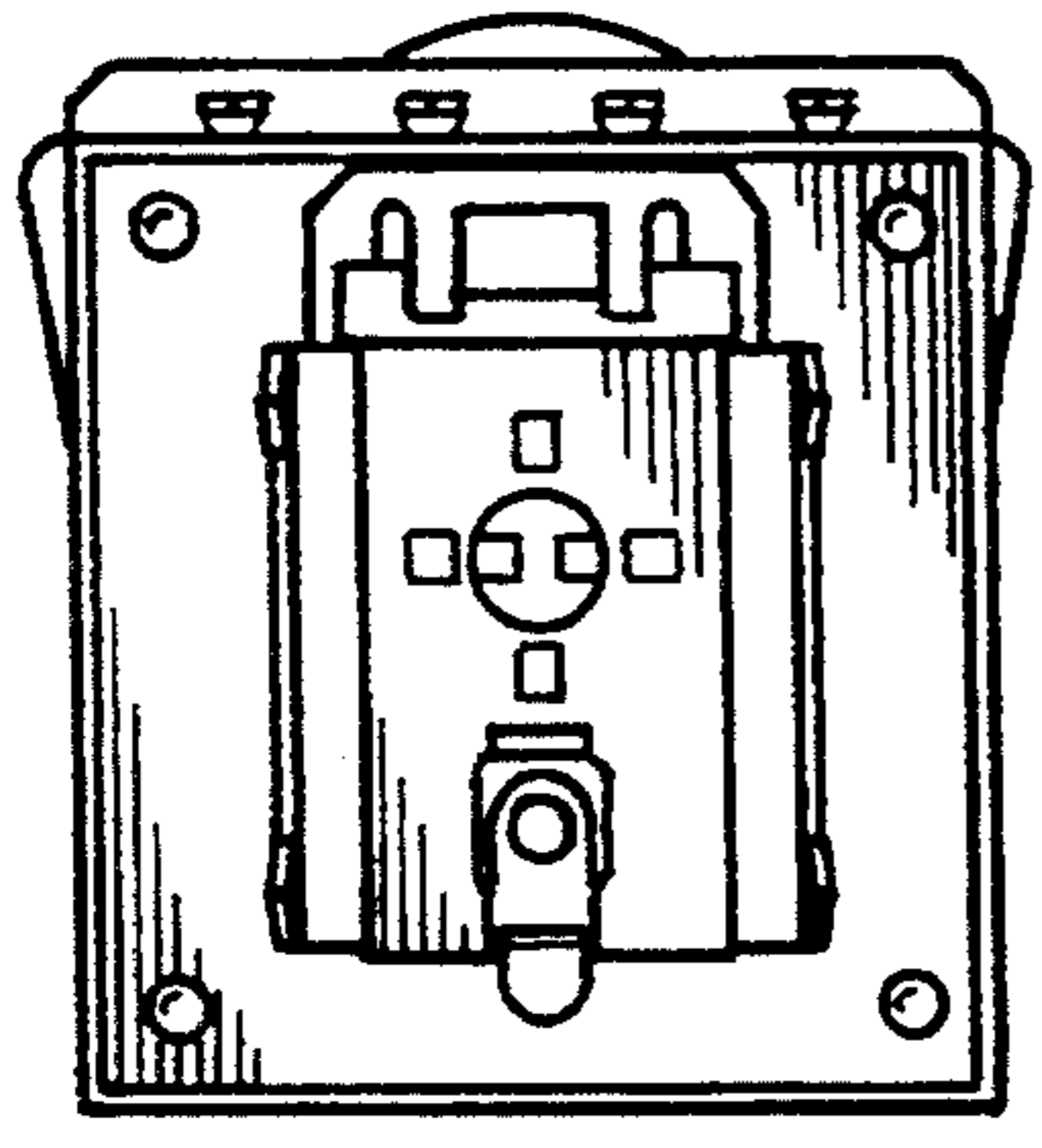


FIG. 6

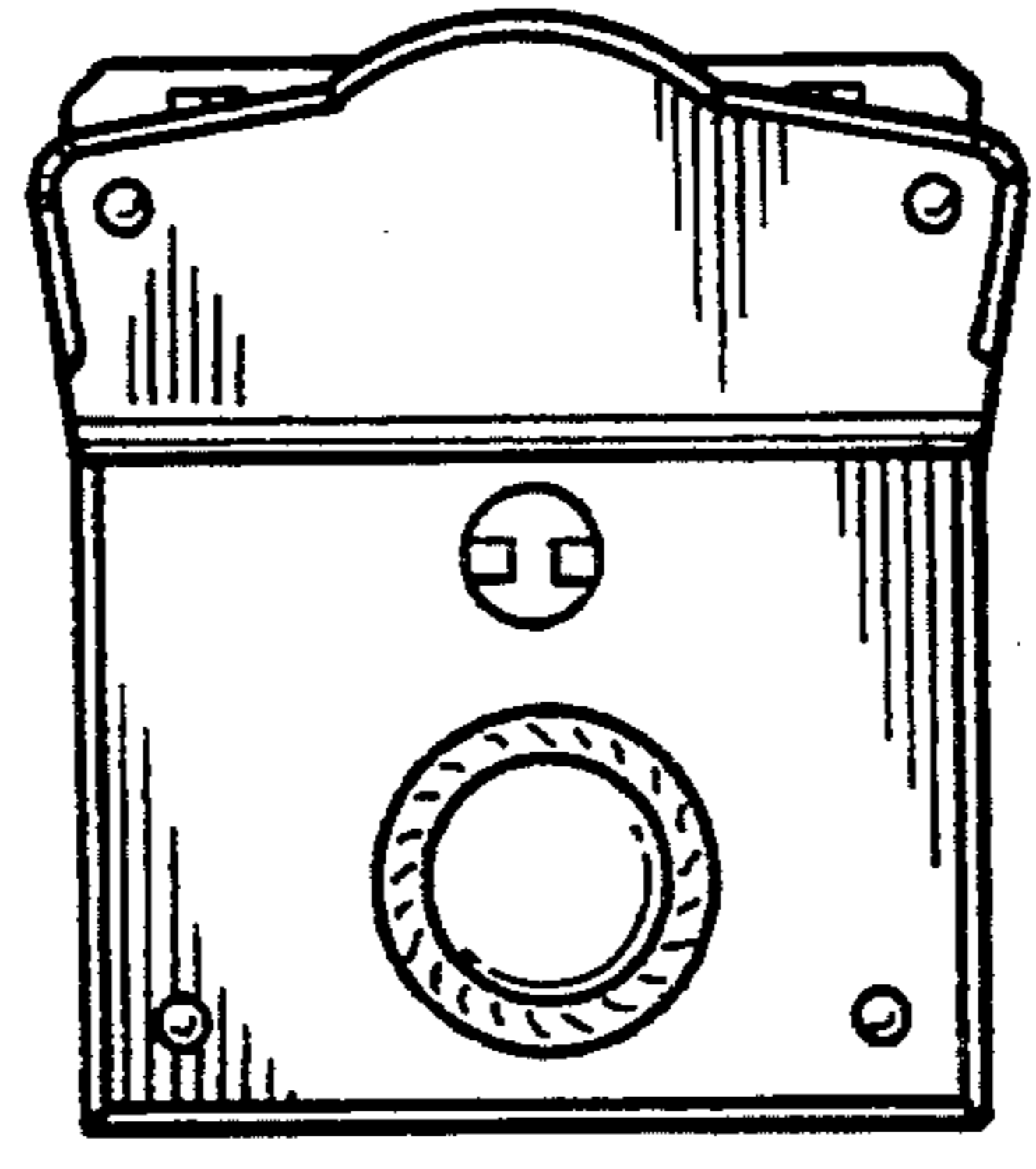


FIG. 3

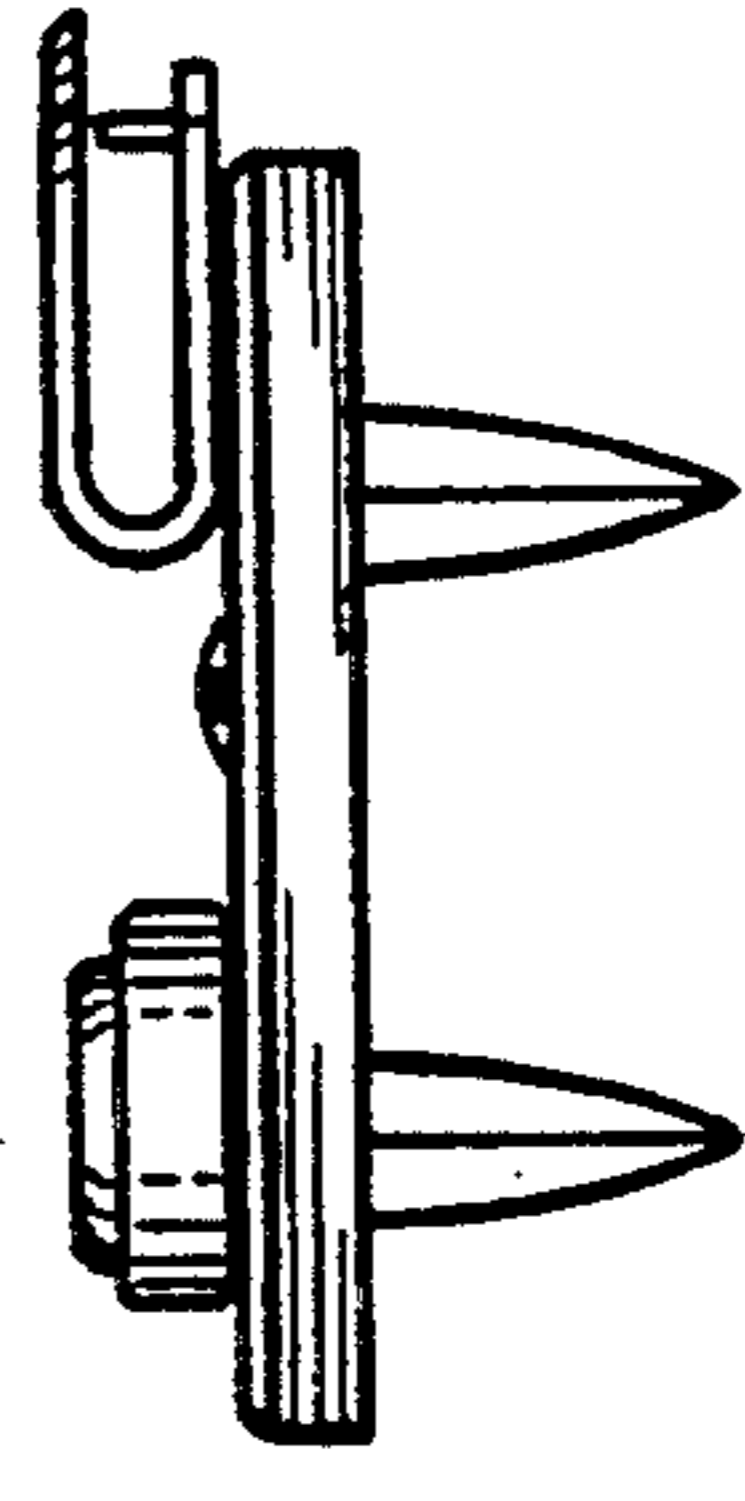


FIG. 4

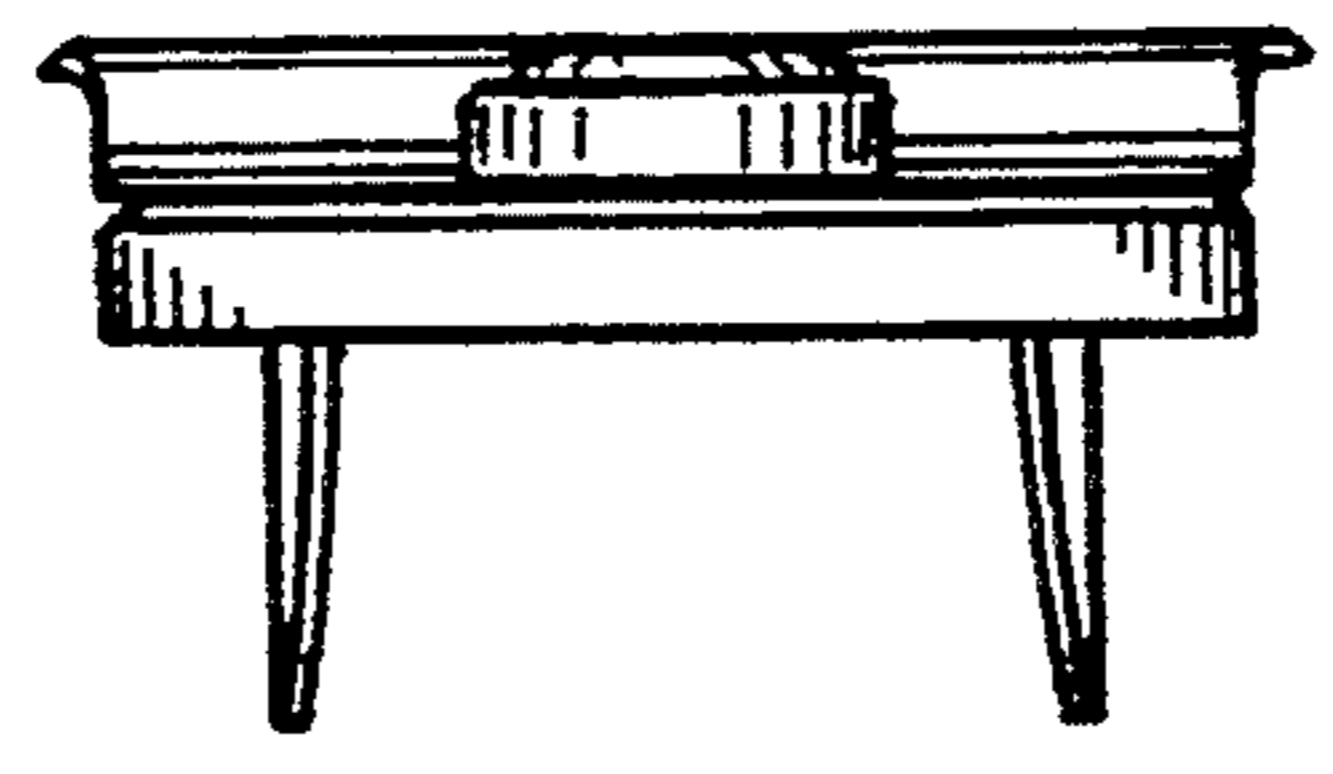


FIG. 5