



US00D358974S

# United States Patent [19]

[11] Patent Number: **Des. 358,974**

**Gisiger**

[45] Date of Patent: **\*\* Jun. 6, 1995**

[54] **LUGGAGE LOCK**

D. 291,774	9/1987	Gisiger .....	D8/341
D. 332,907	2/1993	Gisiger .....	D8/331
4,343,162	8/1982	Giacometti .....	70/71 X
4,719,477	1/1988	Hwang .....	70/67 X

[76] Inventor: **Urs Gisiger, Schulhausstrasse 19, 2545 Selzach, Switzerland**

*Primary Examiner*—Brian N. Vinson

[\*\*] Term: **14 Years**

[57] **CLAIM**

[21] Appl. No.: **20,377**

The ornamental design for a luggage lock, as shown and described.

[22] Filed: **Mar. 25, 1994**

**DESCRIPTION**

[52] U.S. Cl. .... **D8/331**

[58] Field of Search ..... **D8/330-331, D8/339, 341, 342; 70/57, 64, 67, 69-72; 292/DIG. 42, DIG. 48**

FIG. 1 is a perspective view of luggage lock showing my new design;

FIG. 2 is a plan view thereof;

FIG. 3 is a front elevational view thereof;

FIG. 4 is a right side elevational view thereof, the left side elevational view being a mirror image thereof;

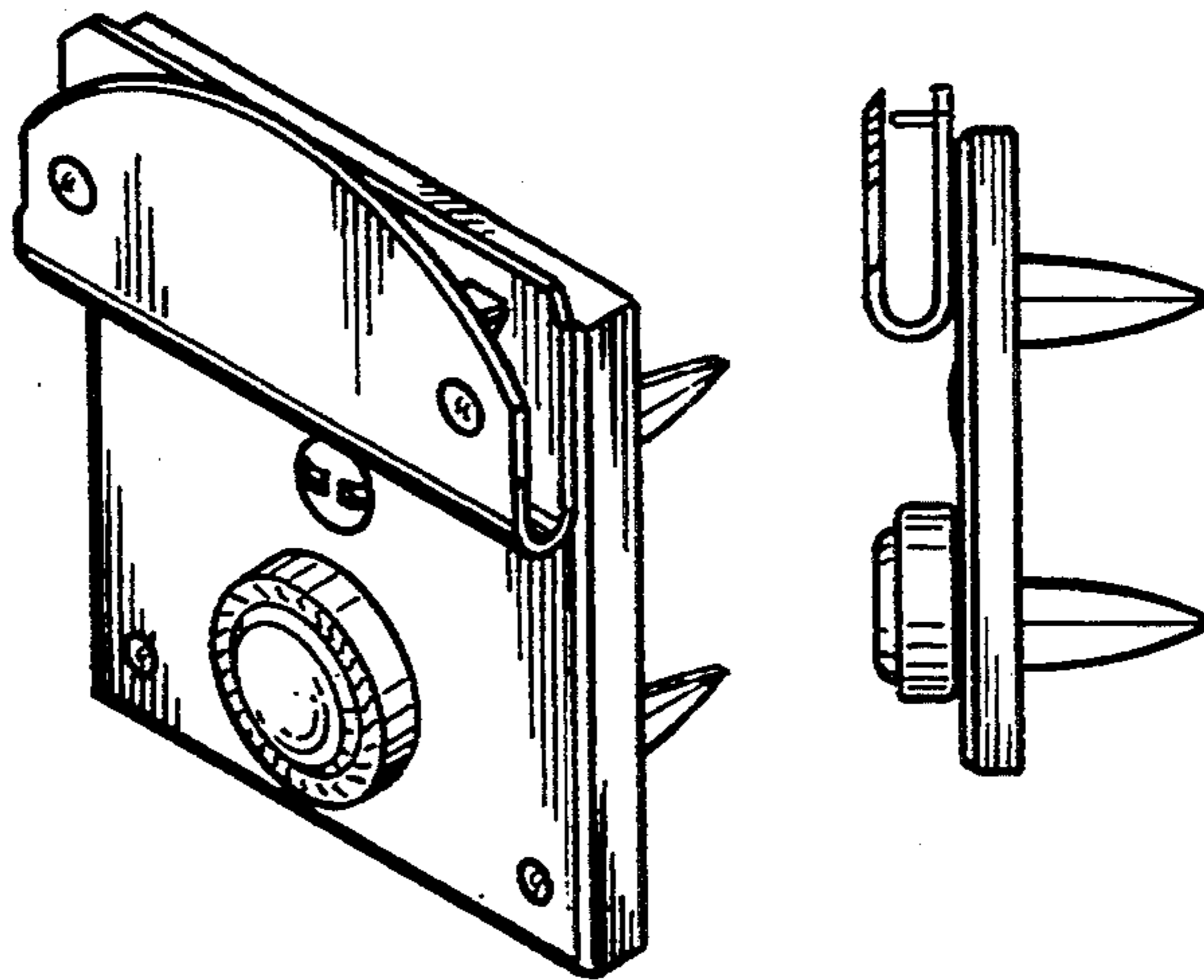
FIG. 5 is a bottom view thereof; and,

FIG. 6 is a rear elevational view thereof.

[56] **References Cited**

**U.S. PATENT DOCUMENTS**

D. 283,005	3/1986	Gisiger .....	D8/331
D. 291,772	9/1987	Gisiger .....	D8/331



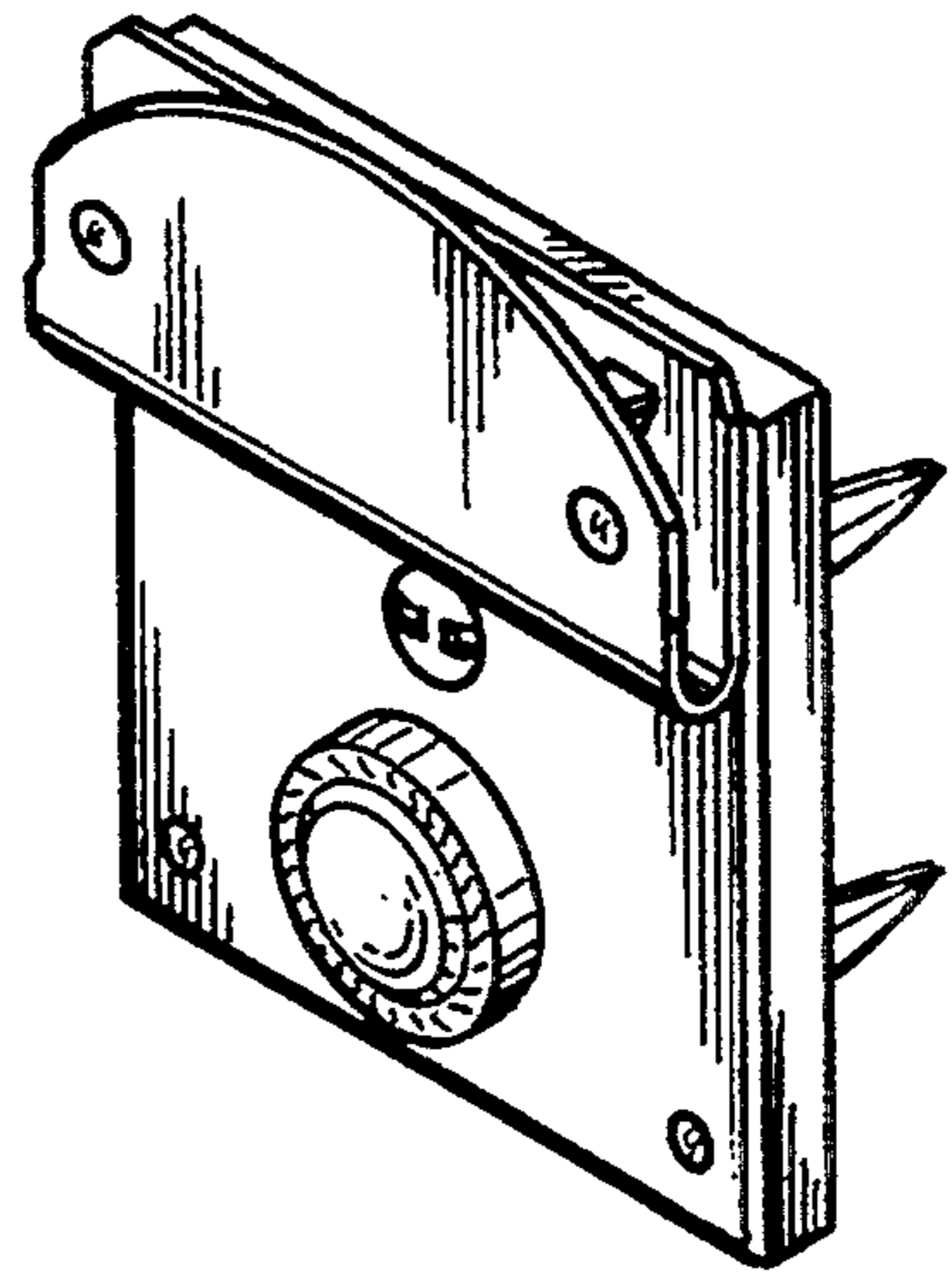


FIG. 1

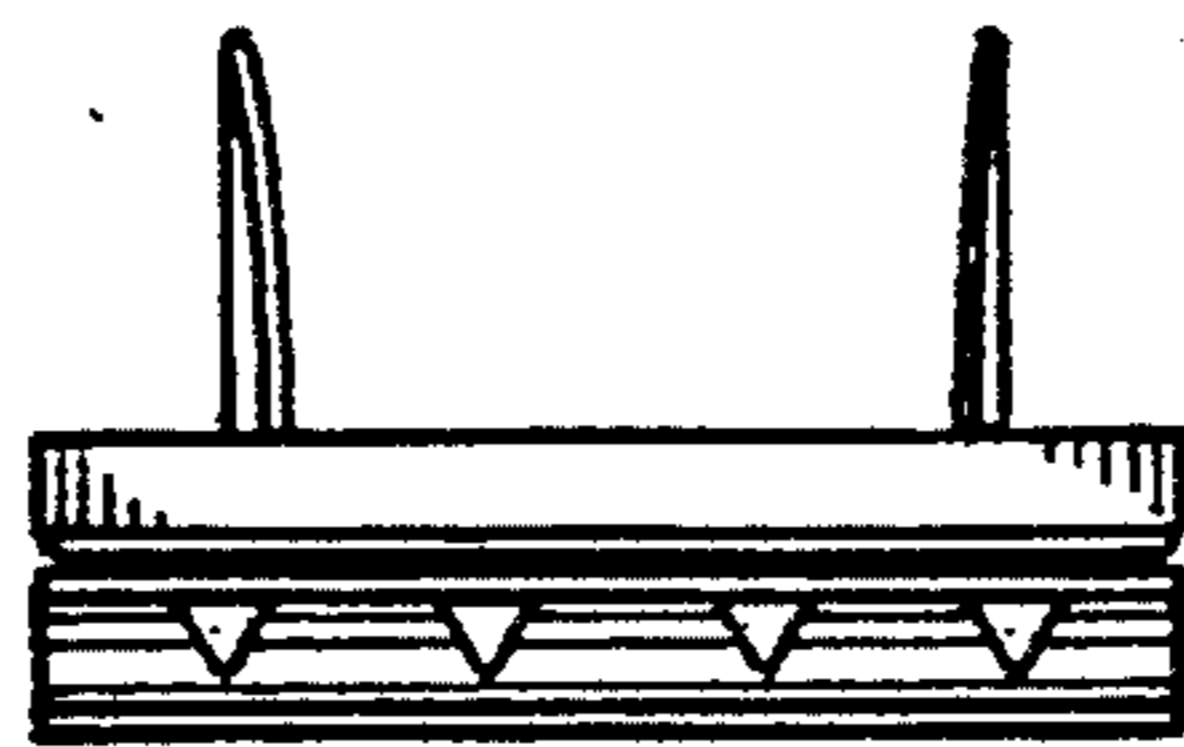


FIG. 2

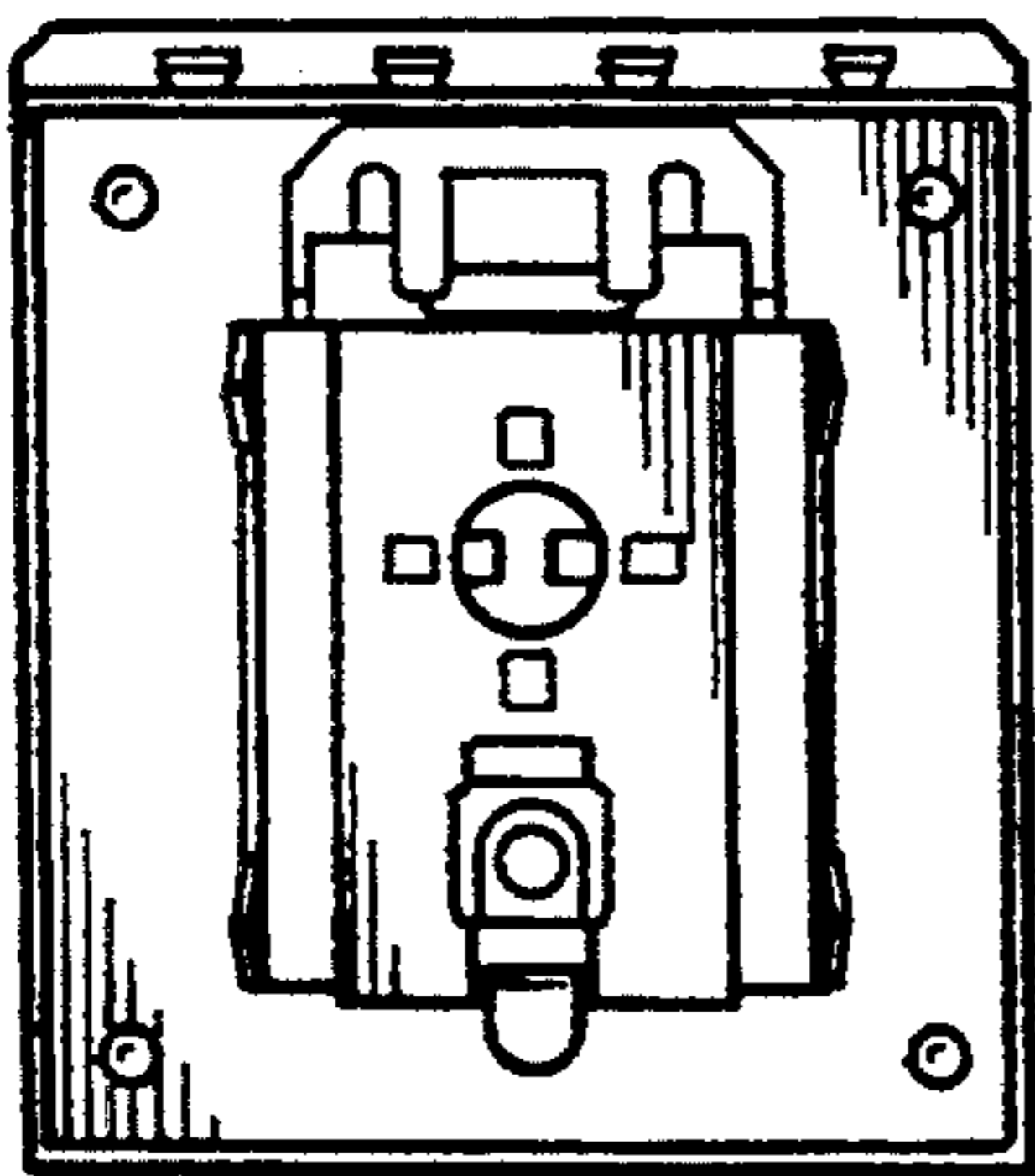


FIG. 6

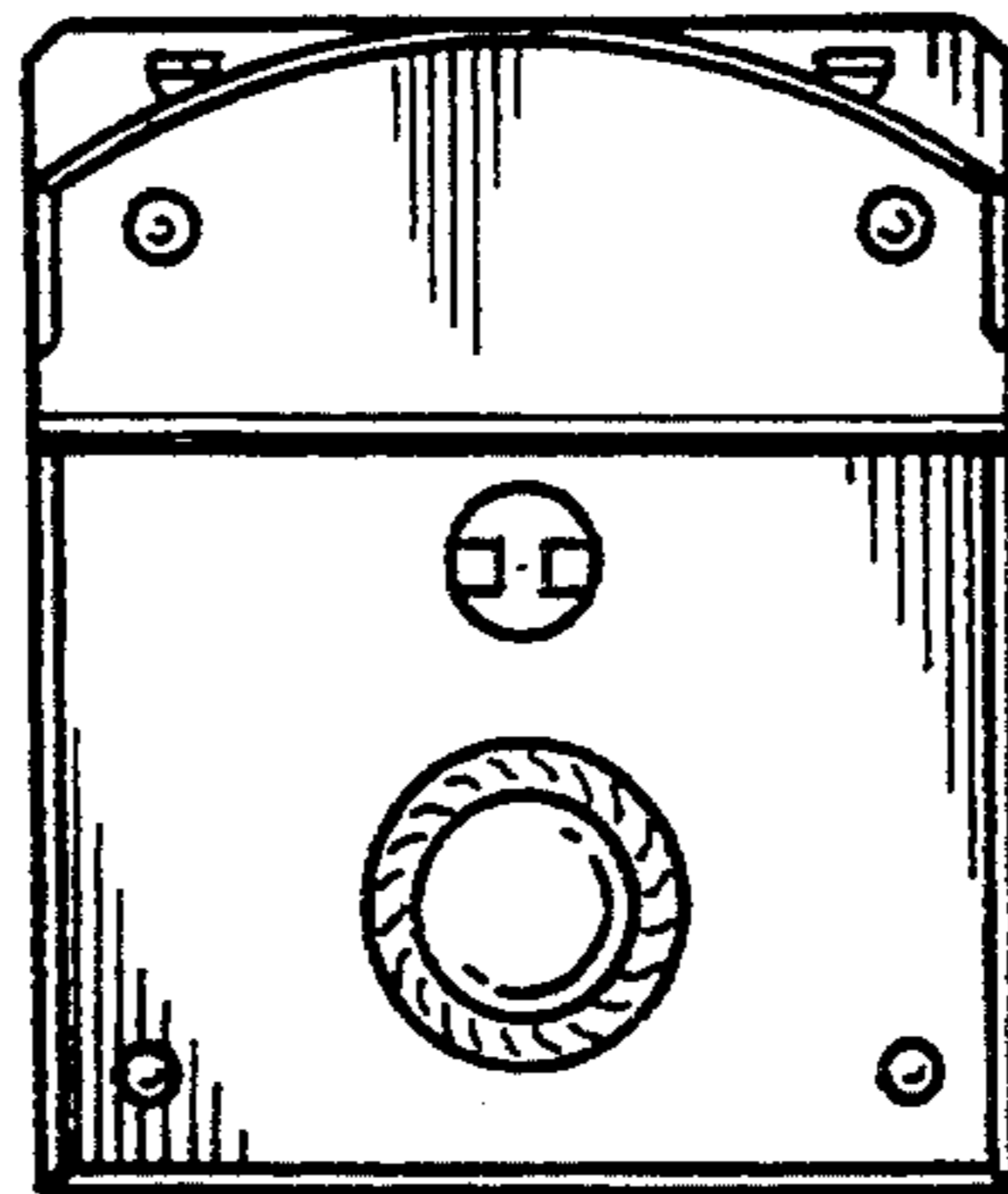


FIG. 3

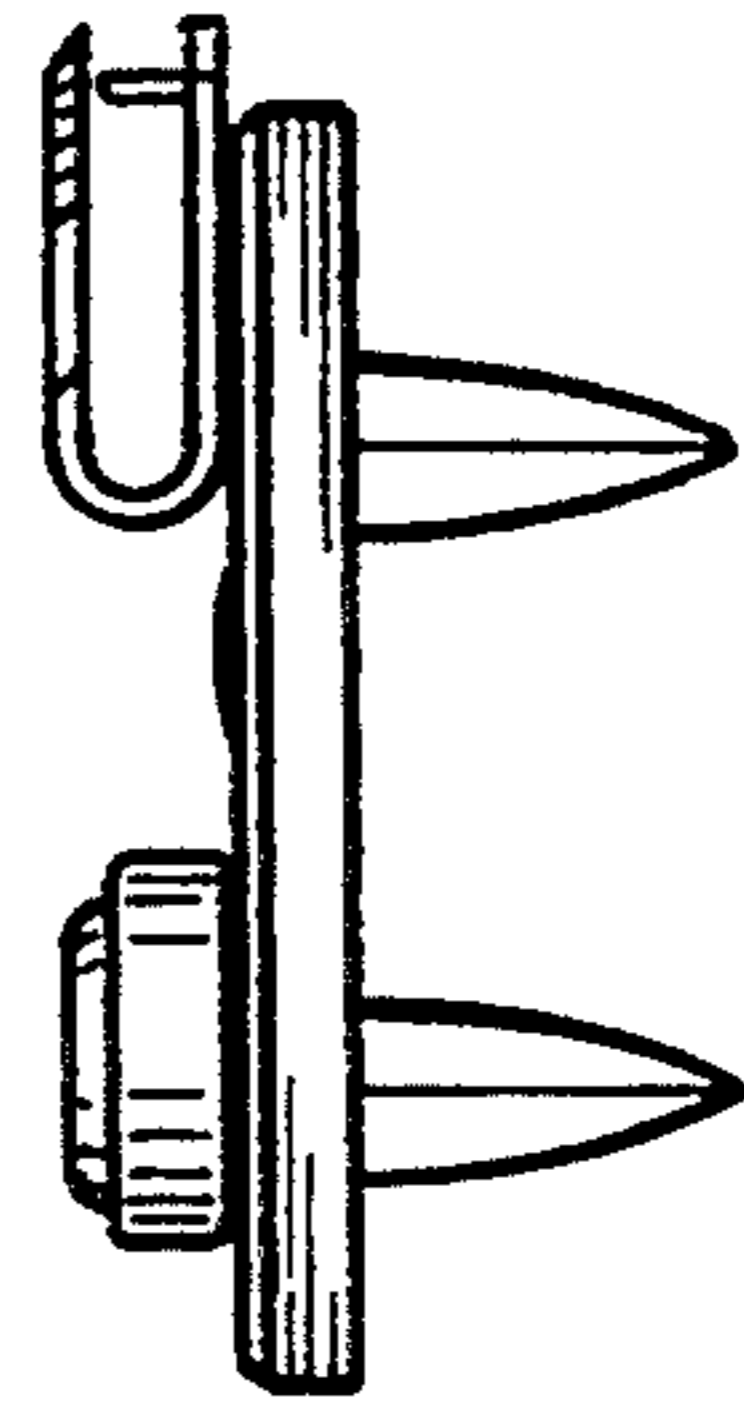


FIG. 4

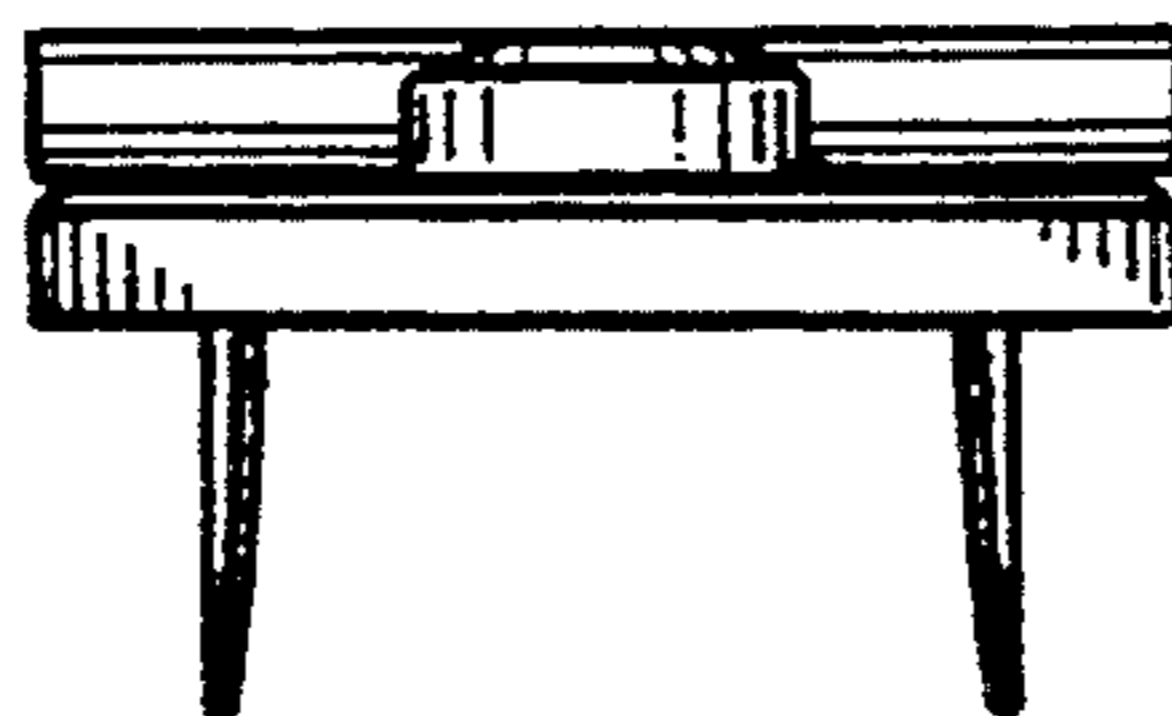


FIG. 5